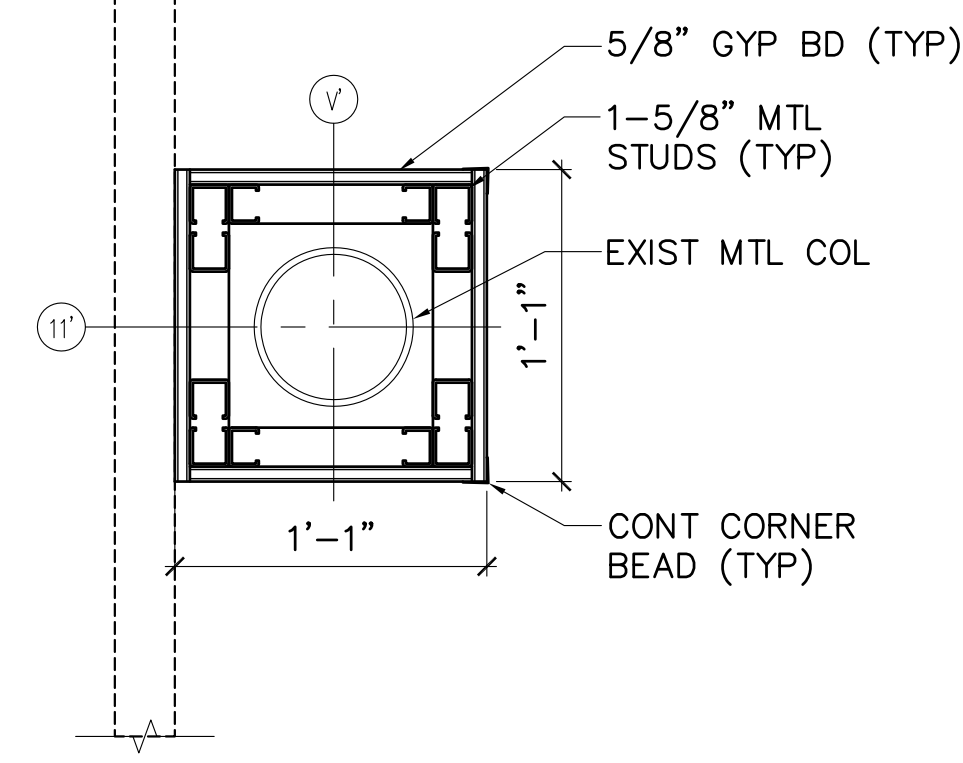
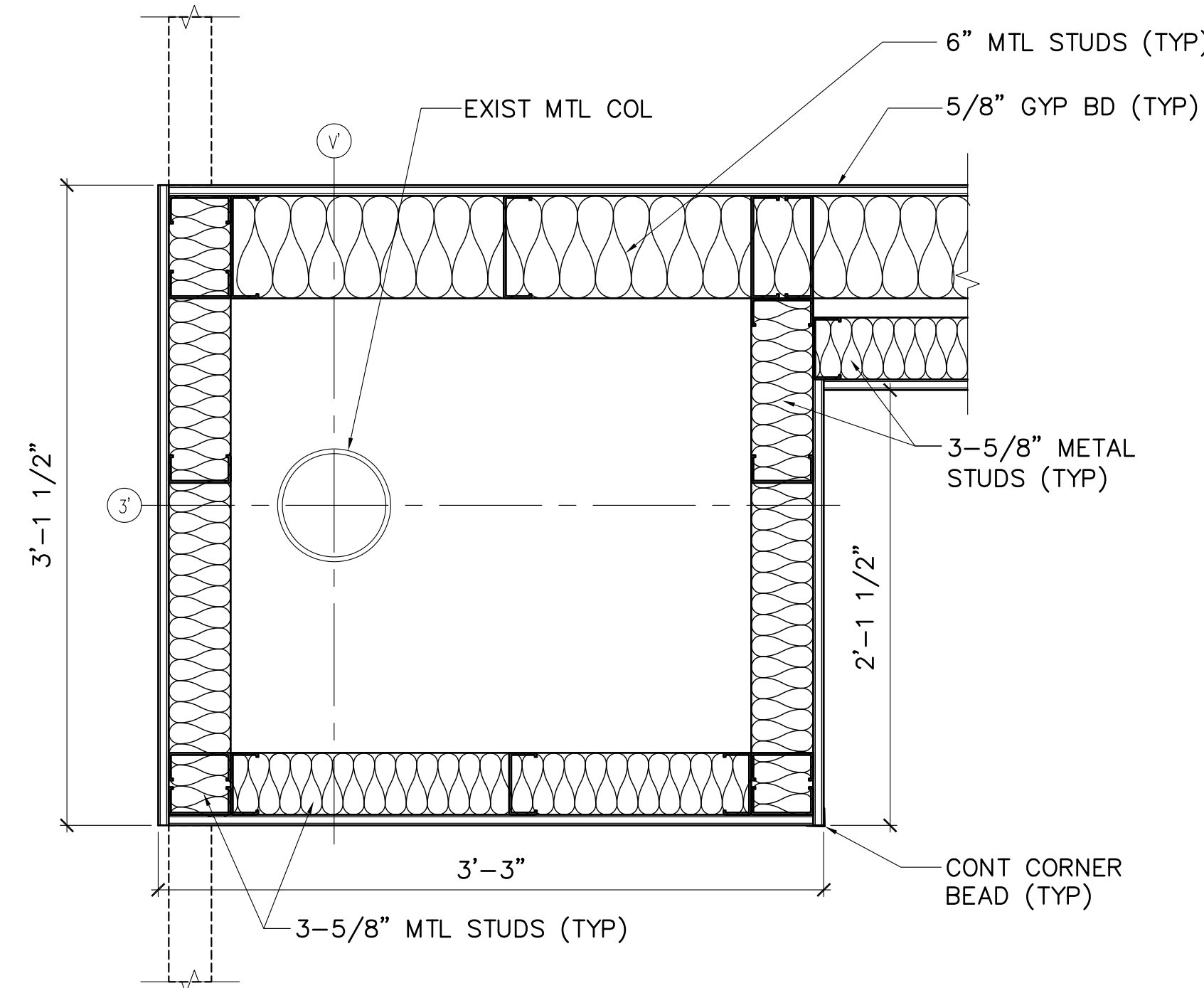


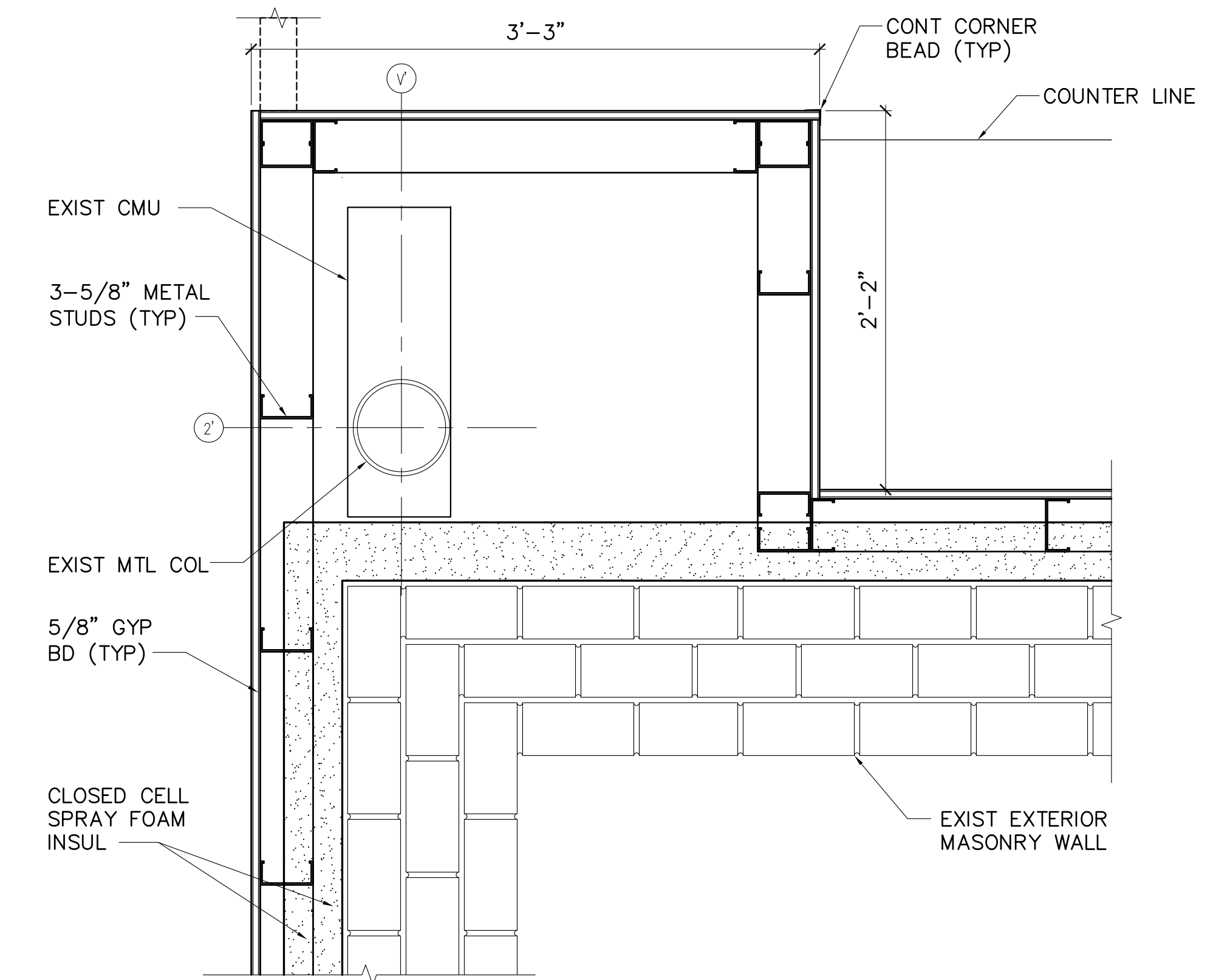
1 COL WRAP DETAIL RM 228
 AE103/AE541 SCALE: 1-1/2"=1'-0"



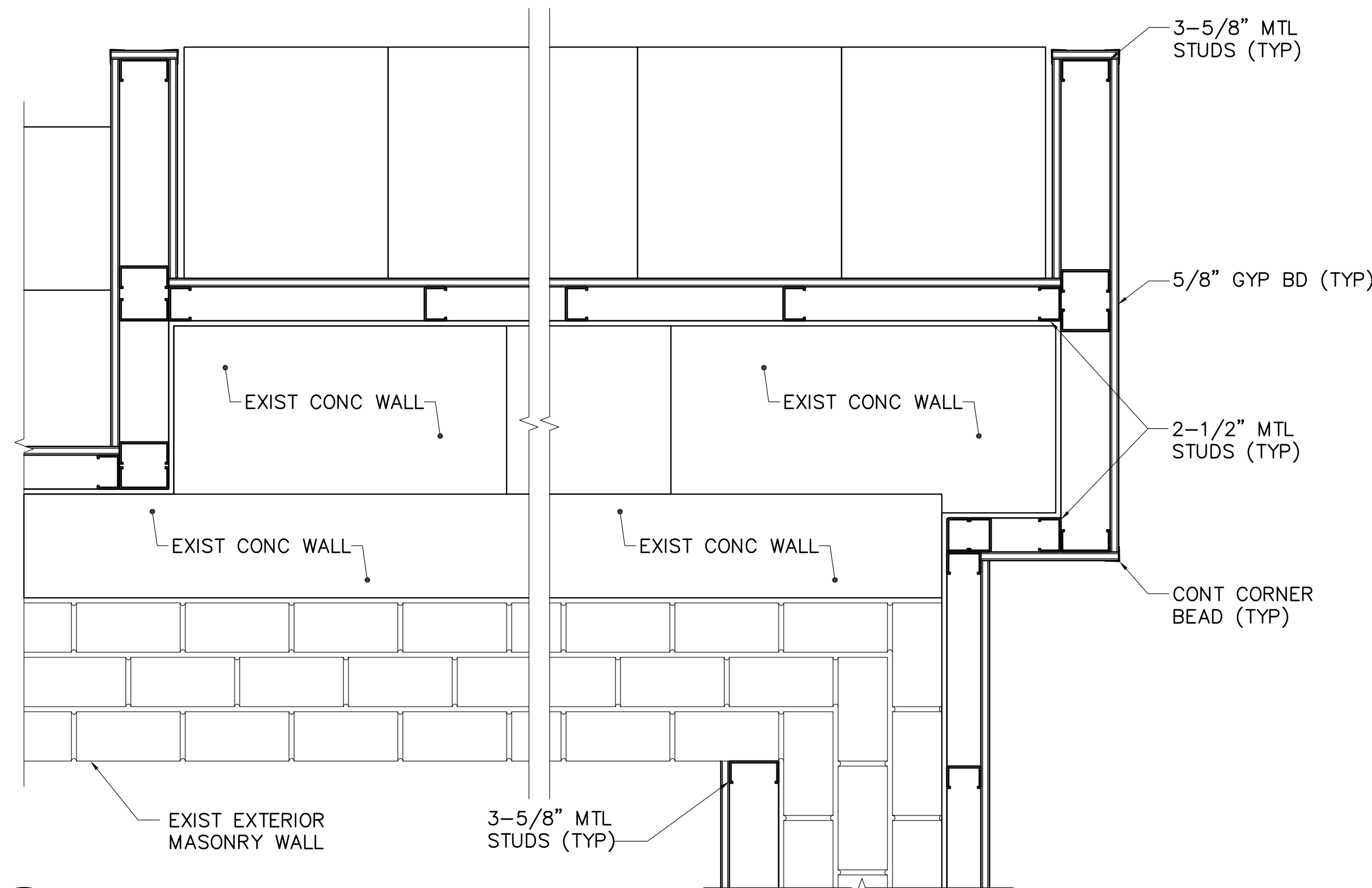
2 COL WRAP DETAIL RM 229
 AE103/AE541 SCALE: 1-1/2"=1'-0"



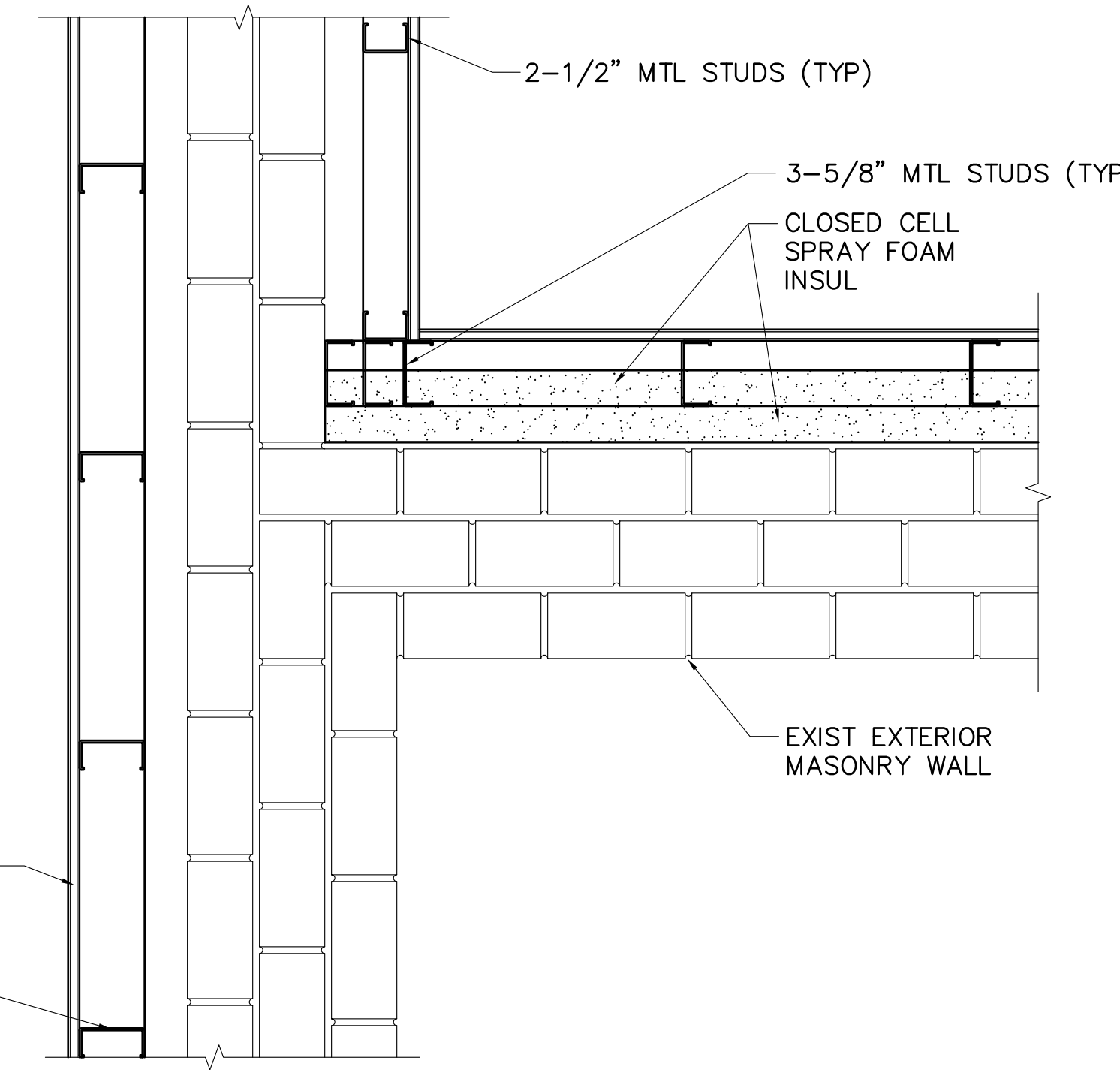
3 COL WRAP DETAIL RM 229
 AE103/AE541 SCALE: 1-1/2"=1'-0"



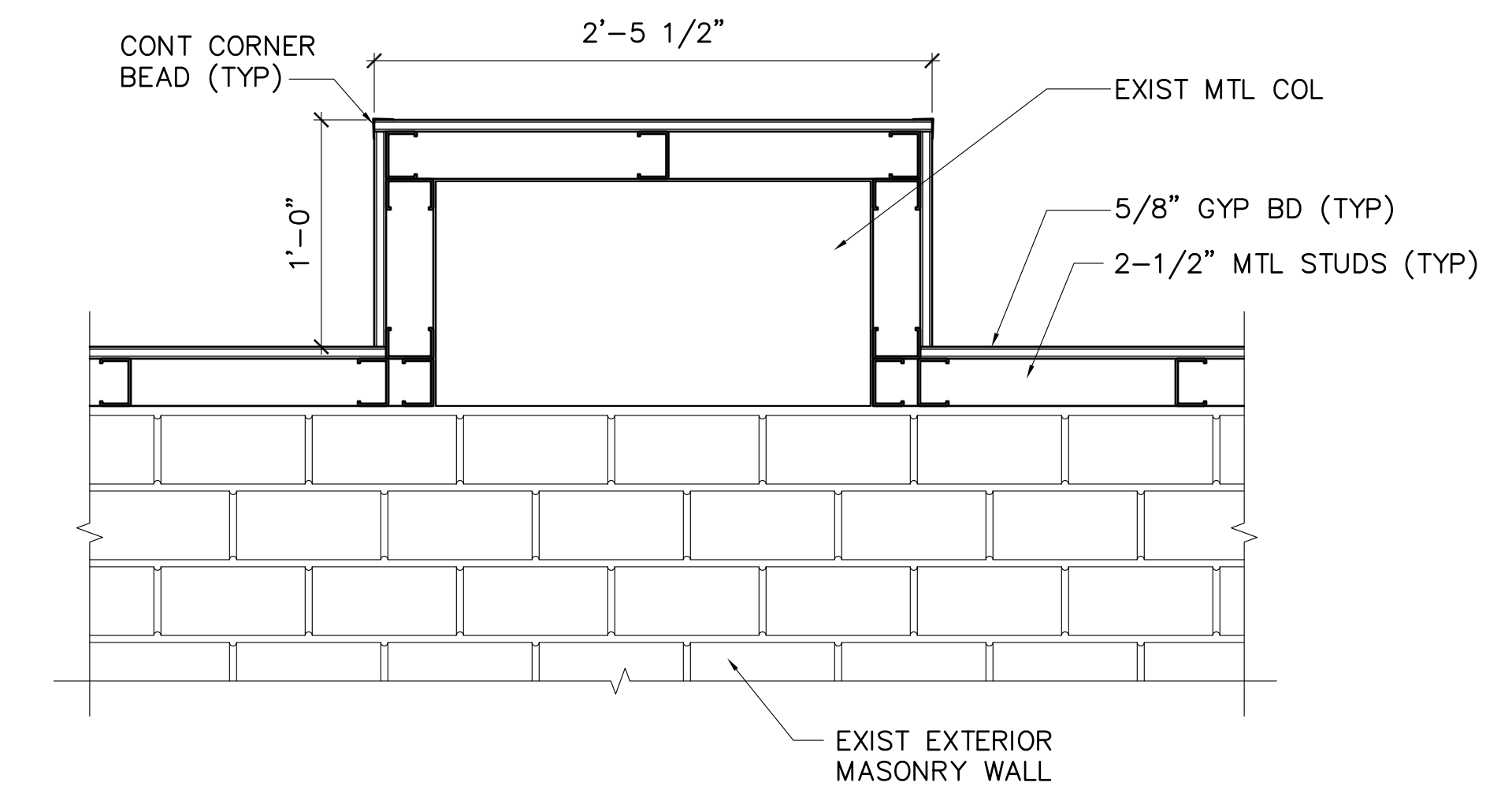
4 COL WRAP DETAIL RM 231
 AE103/AE541 SCALE: 1-1/2"=1'-0"



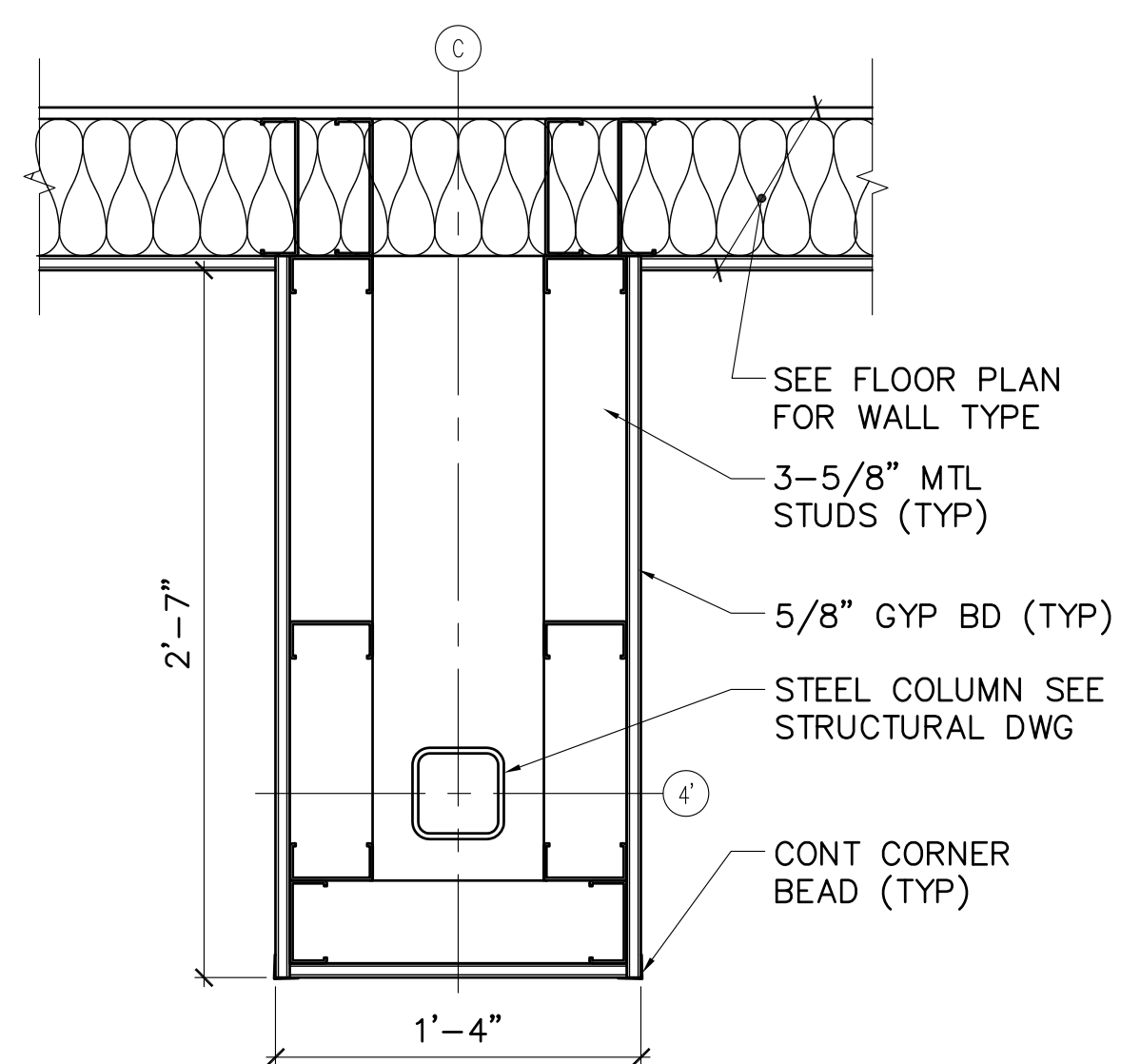
5 WALL DETAIL
 AE103/AE541 SCALE: 1-1/2"=1'-0"



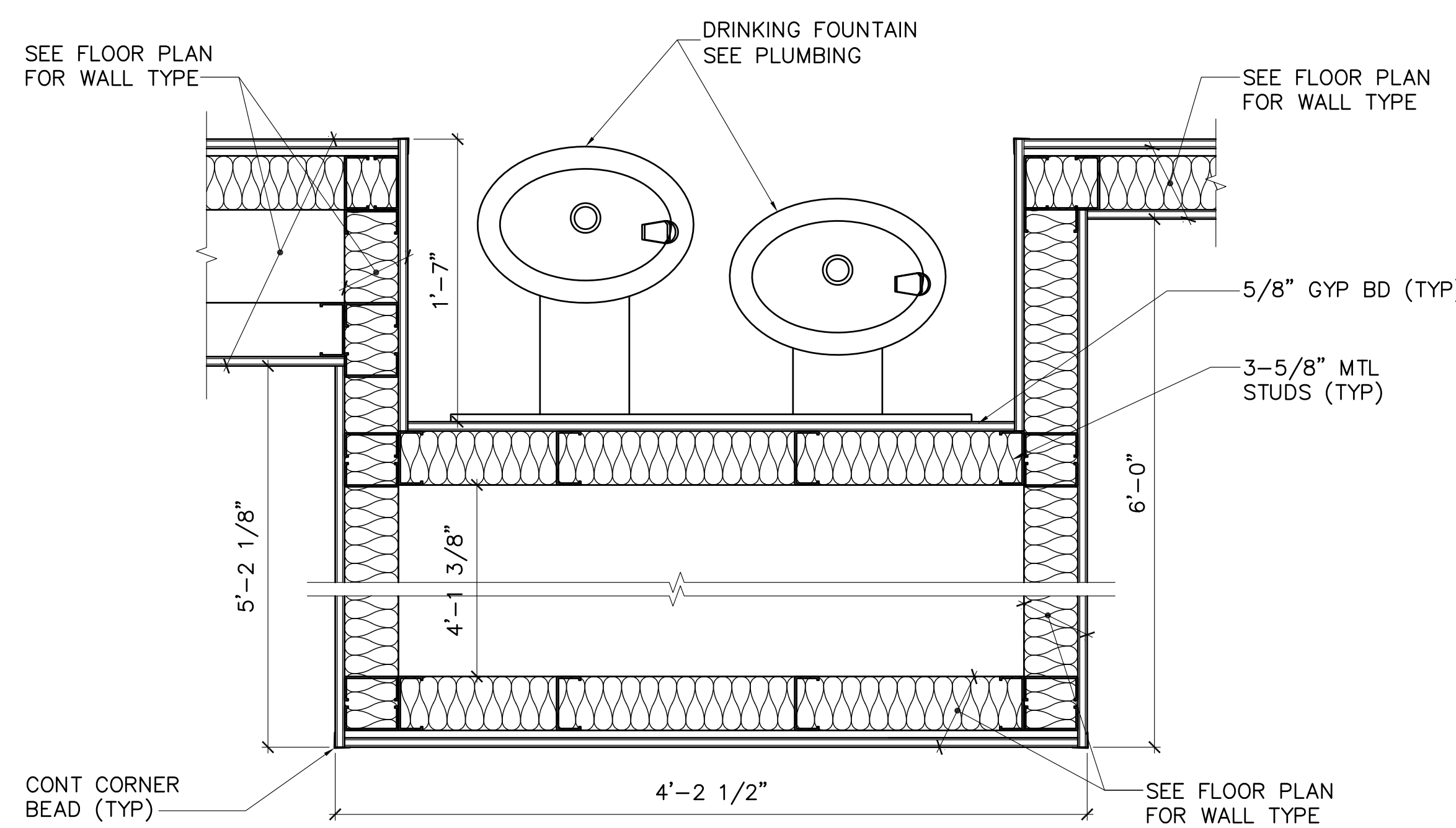
6 WALL DETAIL
 AE103/AE541 SCALE: 1-1/2"=1'-0"



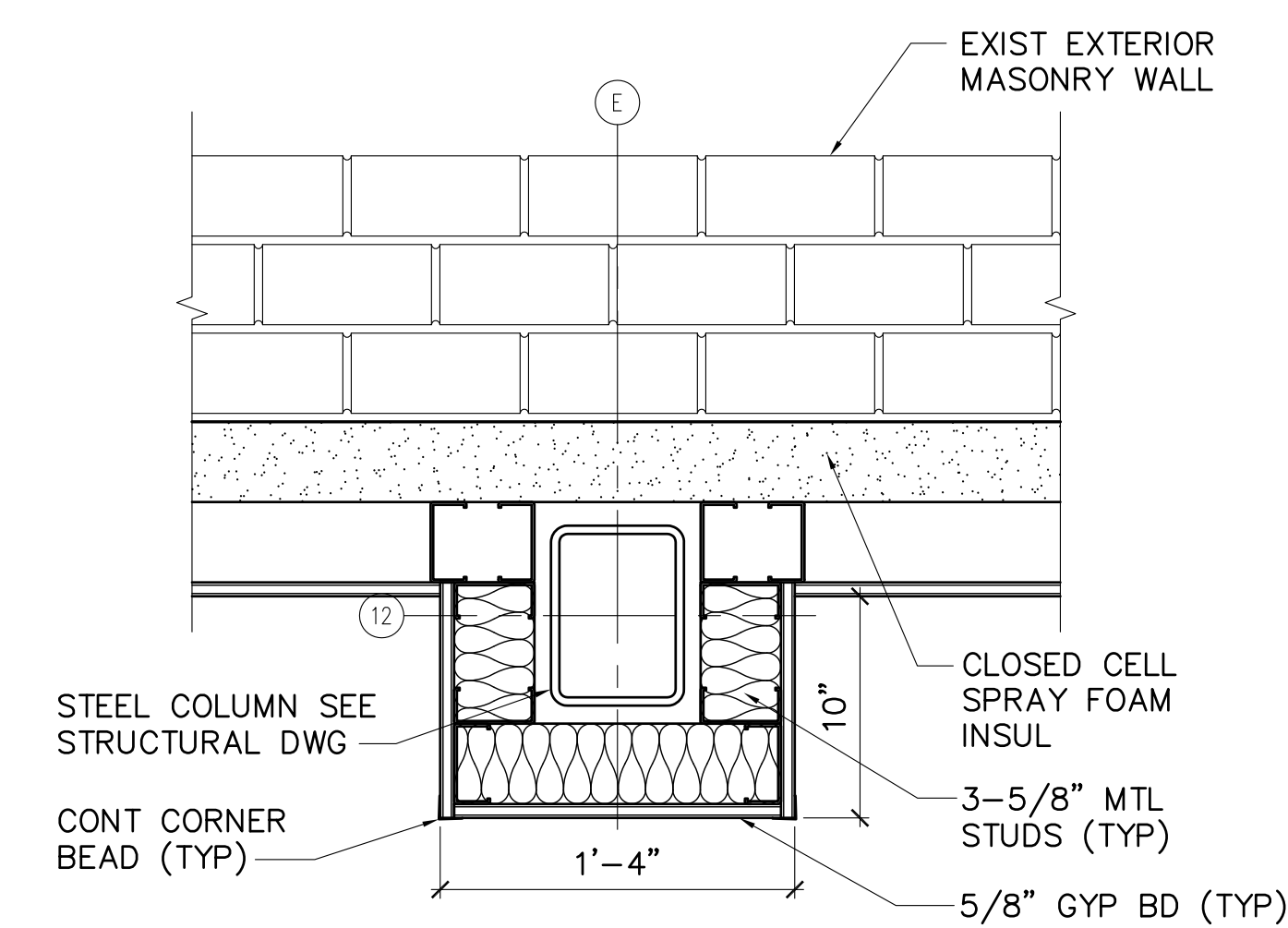
7 COL WRAP DETAIL
 AE103/AE541 SCALE: 1-1/2"=1'-0"



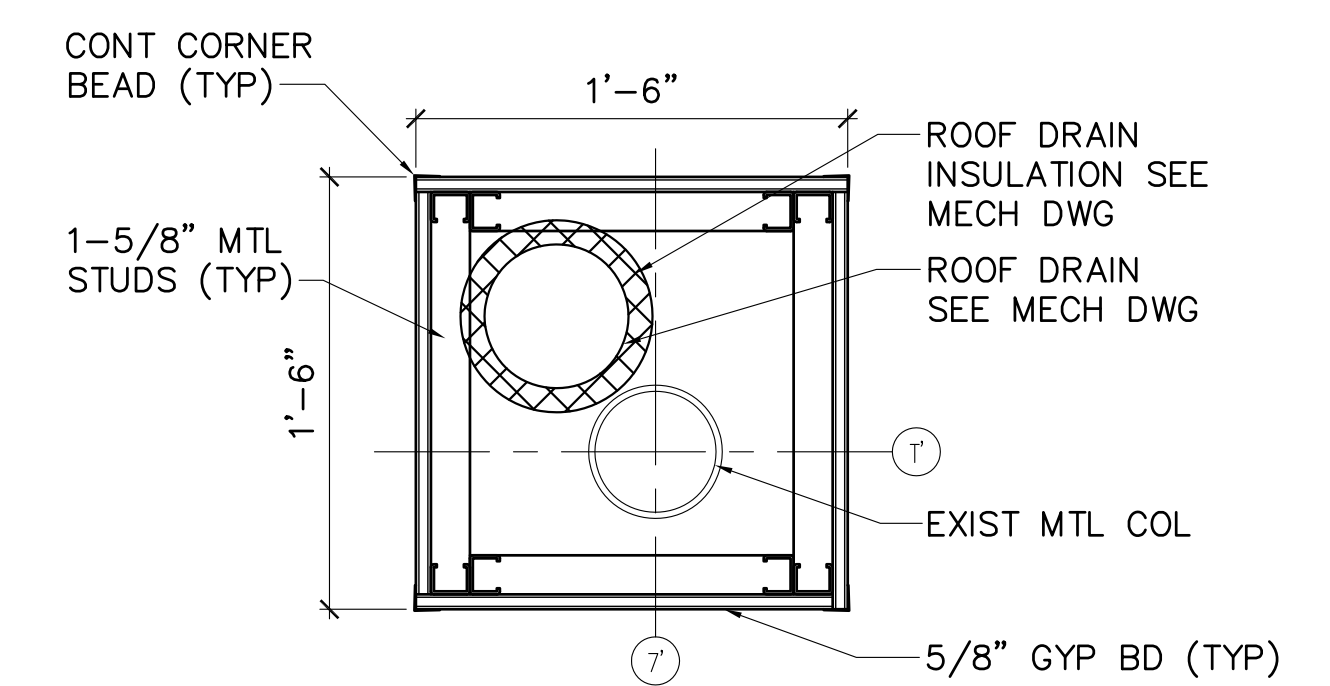
8 COL WRAP DETAIL KITCHENETTE 114
 AE101/AE541 SCALE: 1-1/2"=1'-0"



9 WALL DETAIL
 AE101/AE541 SCALE: 1-1/2"=1'-0"



10 WALL DETAIL PRE-FUNCTION ROOM
 AE101/AE541 SCALE: 1-1/2"=1'-0"



11 WALL DETAIL BED LAB ROOM 147
 AE101/AE541 SCALE: 1-1/2"=1'-0"

