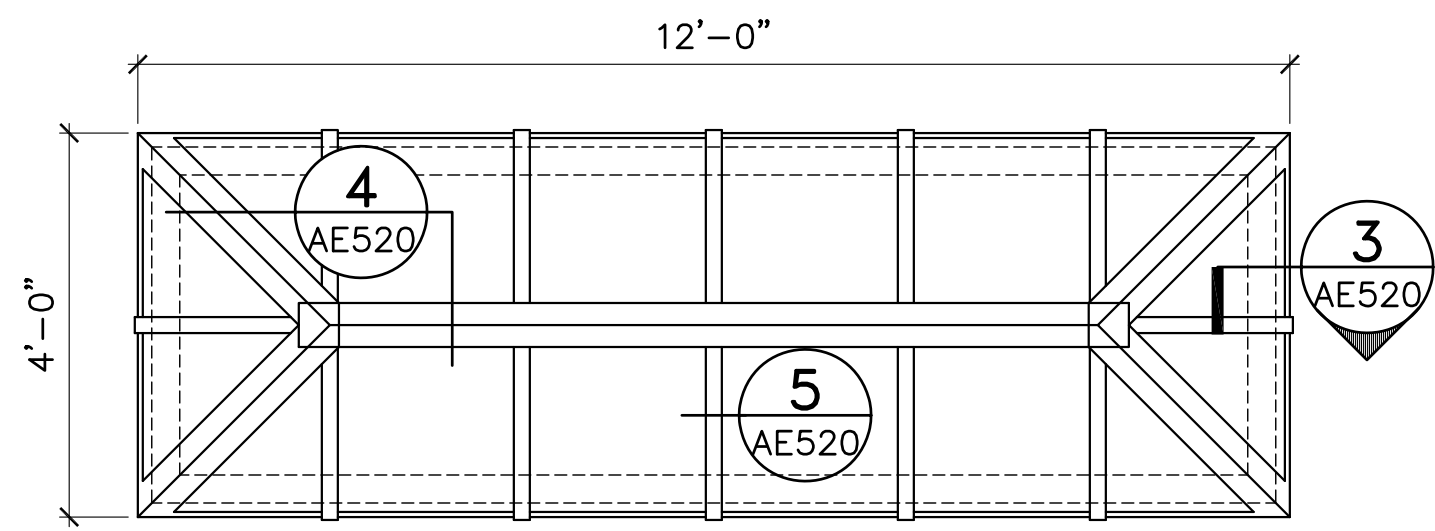
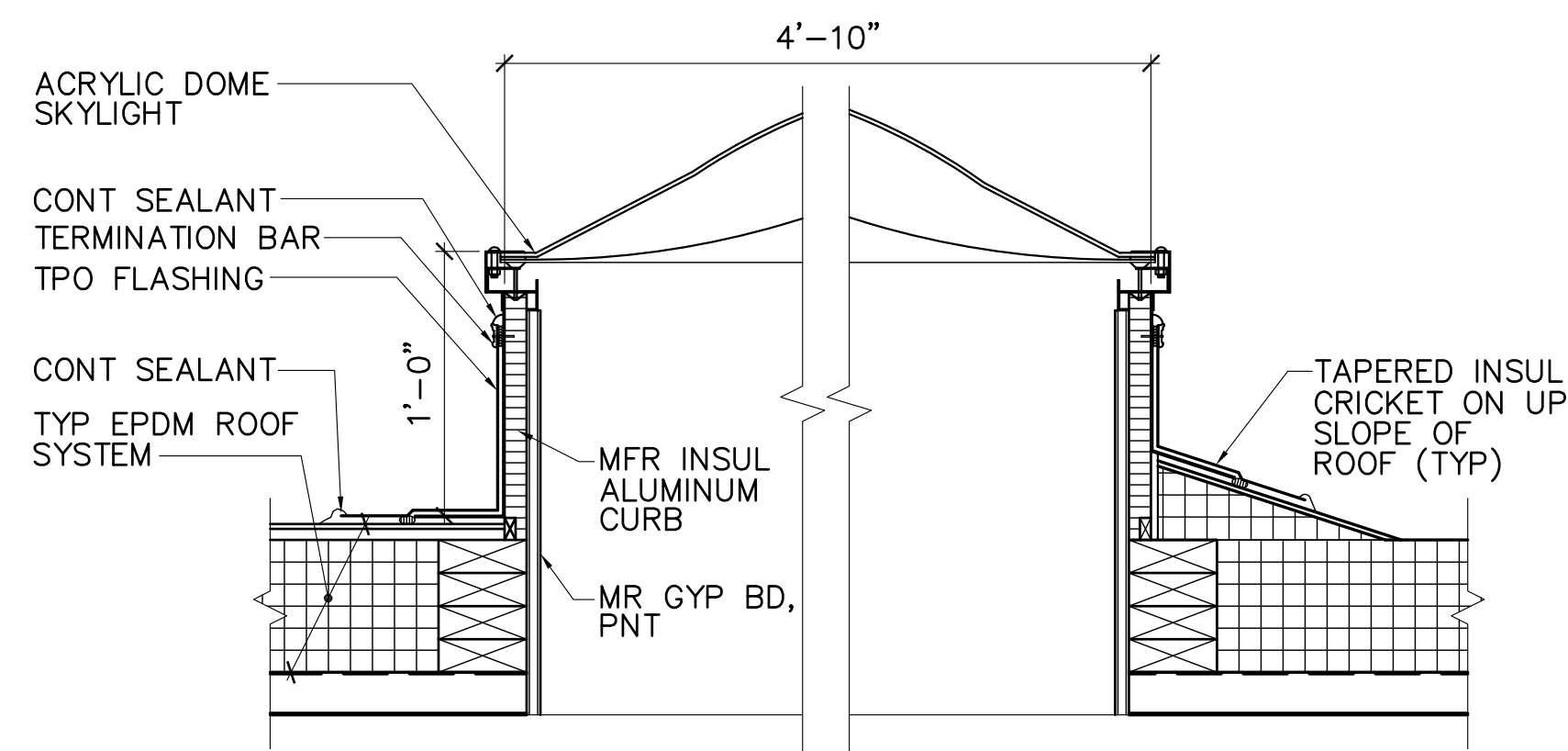


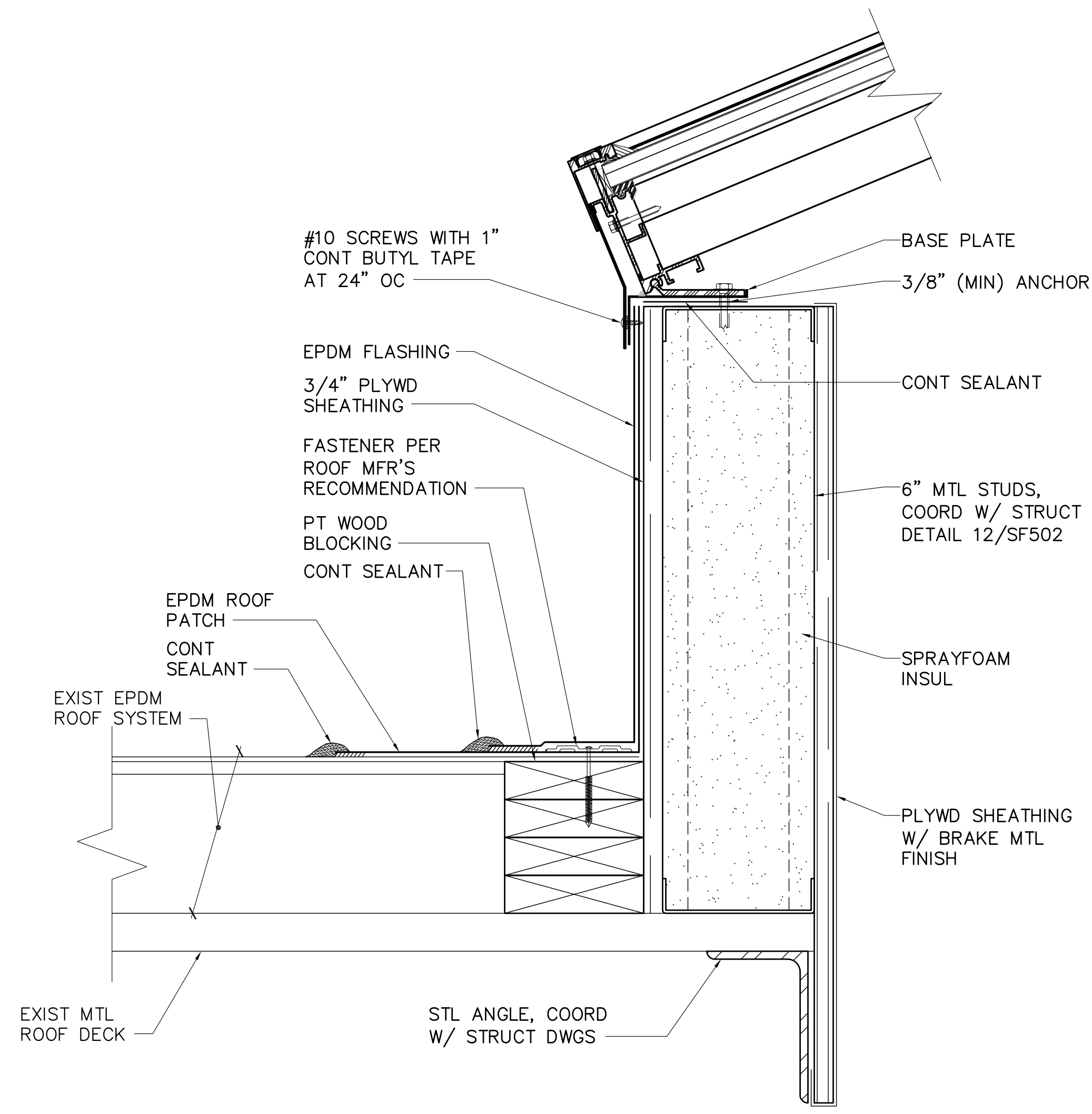
**1 SKYLIGHT PLAN**  
AE520 SCALE: 1/2"=1'-0"



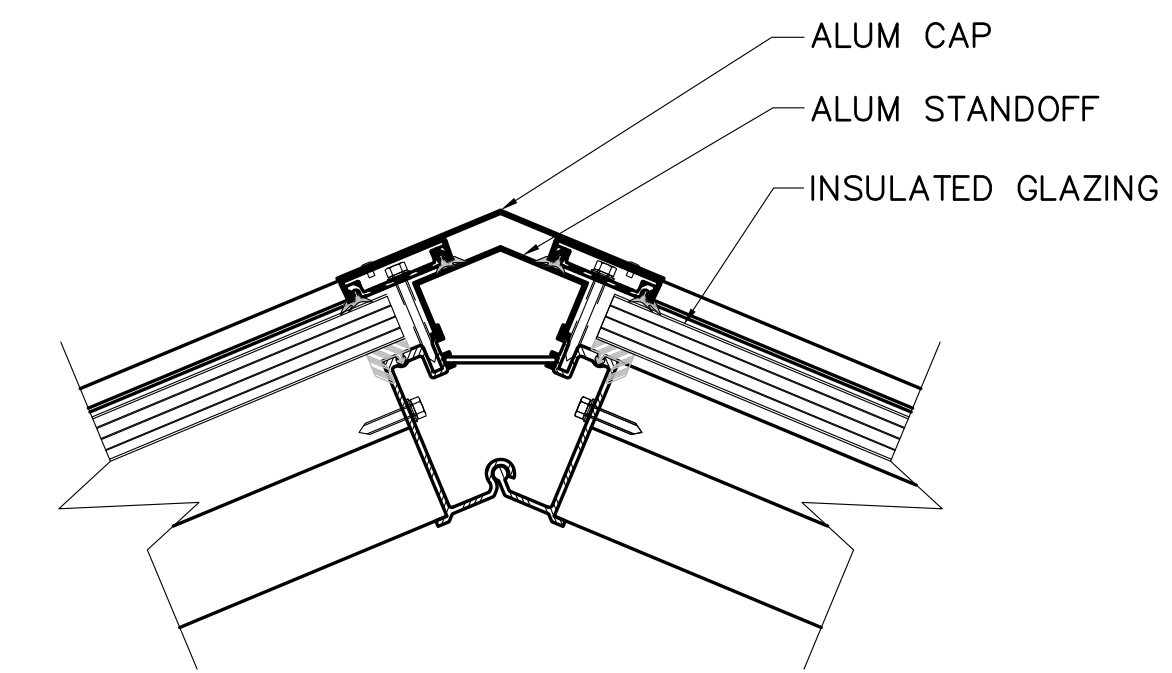
**2 SKYLIGHT PLAN**  
AE103, AE120 SCALE: 1/2"=1'-0"



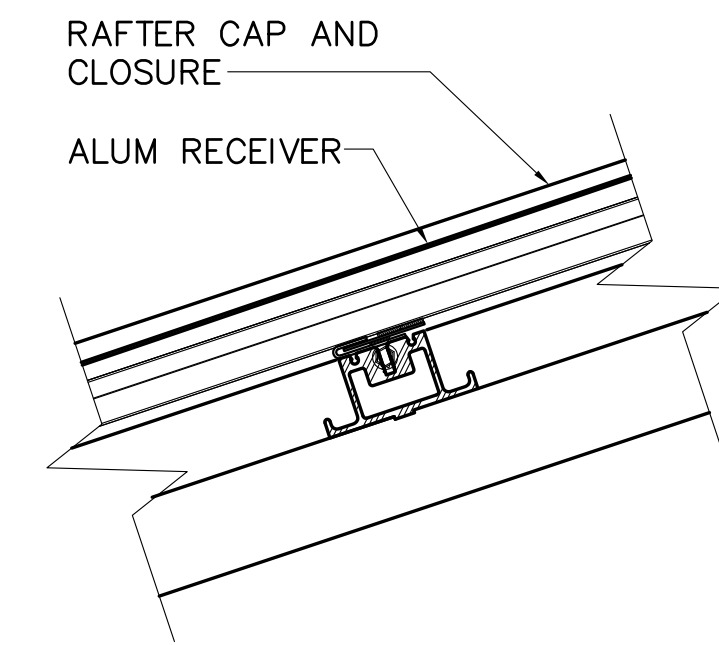
**6 UNIT SKYLIGHT SECTION**  
AE520 SCALE: 1-1/2"=1'-0"



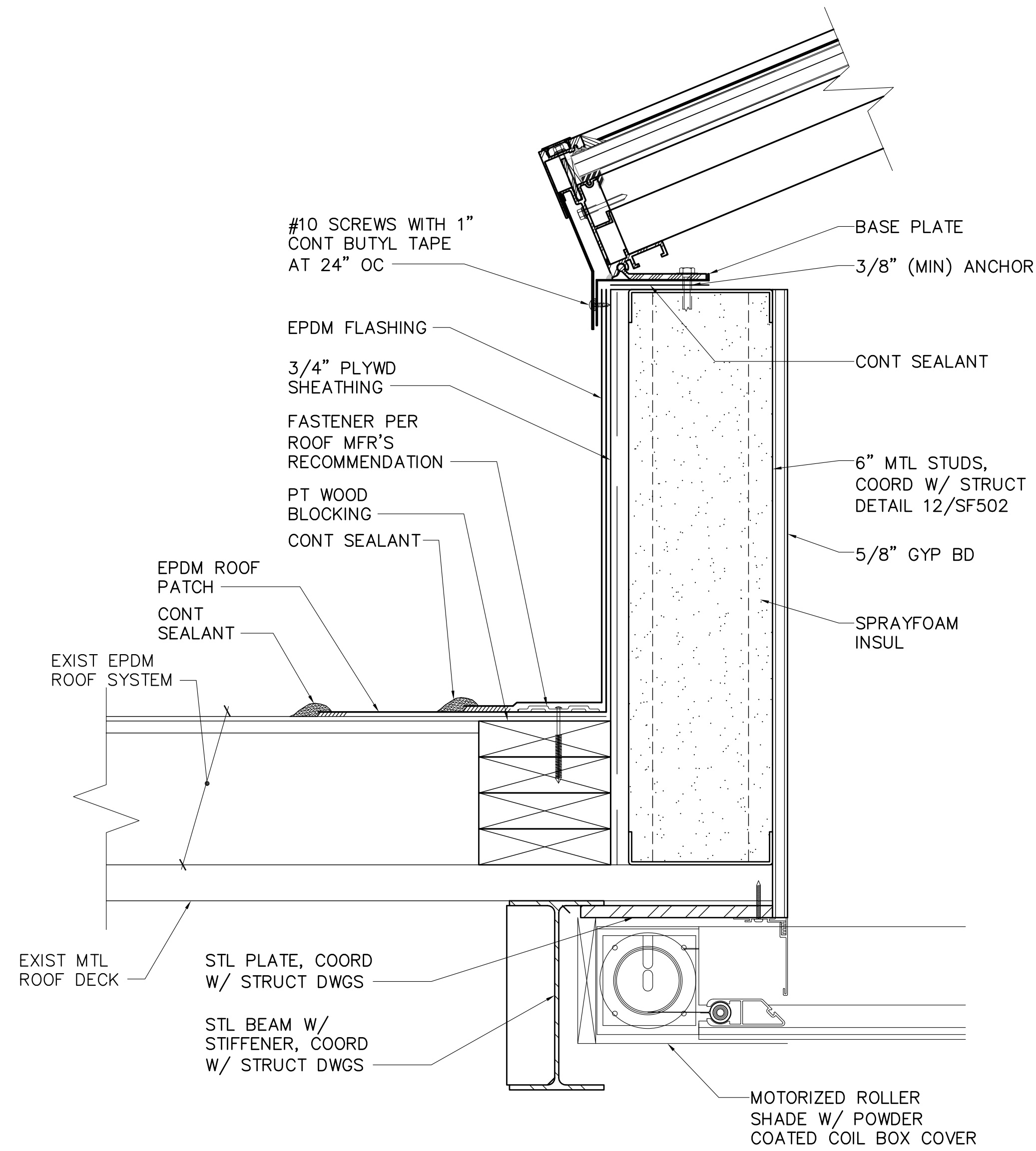
**3 SKYLIGHT CURB DETAIL**  
AE520 SCALE: 3"=1'-0"



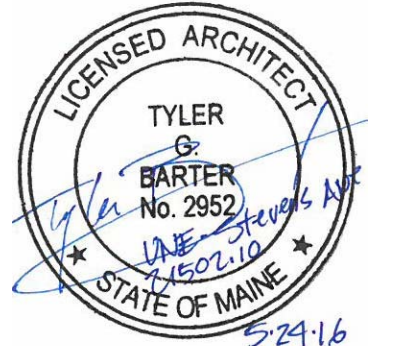
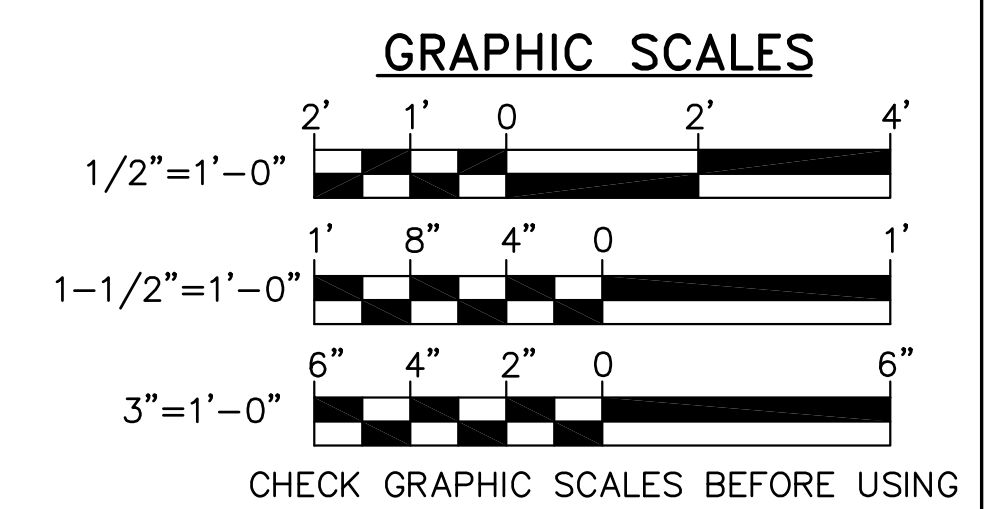
**4 SKYLIGHT RIDGE DETAIL**  
AE520 SCALE: 3"=1'-0"



**5 SKYLIGHT PURLIN DETAIL**  
AE520 SCALE: 3"=1'-0"



**7 SKYLIGHT CURB DETAIL**  
AE520 SCALE: 3"=1'-0"



DESIGNED BY: TGB  
DRAWN BY: DEM  
CHECKED BY: TGB  
PROJECT: 21502.10

UNIVERSITY OF NEW ENGLAND  
PORTLAND CAMPUS  
STEVEN AVENUE ARMORY  
718 STEVENS AVE  
PORTLAND, MAINE 04103  
1/207/283-0171

RENOVATIONS TO THE  
STEVEN AVENUE ARMORY

SKYLIGHT TYPES AND DETAILS

SCALE: AS NOTED  
DATE: 05-24-16

DWG. AE520

SHEET: 80 OF 169