

DESIGNED BY: TGB
 DRAWN BY: TGB
 CHECKED BY: TGB
 PROJECT: 21502.10

UNIVERSITY OF NEW ENGLAND
 PORTLAND CAMPUS
 STEVEN AVENUE ARMORY
 716 STEVENS AVE
 PORTLAND, MAINE 04103
 1(207)285-0171

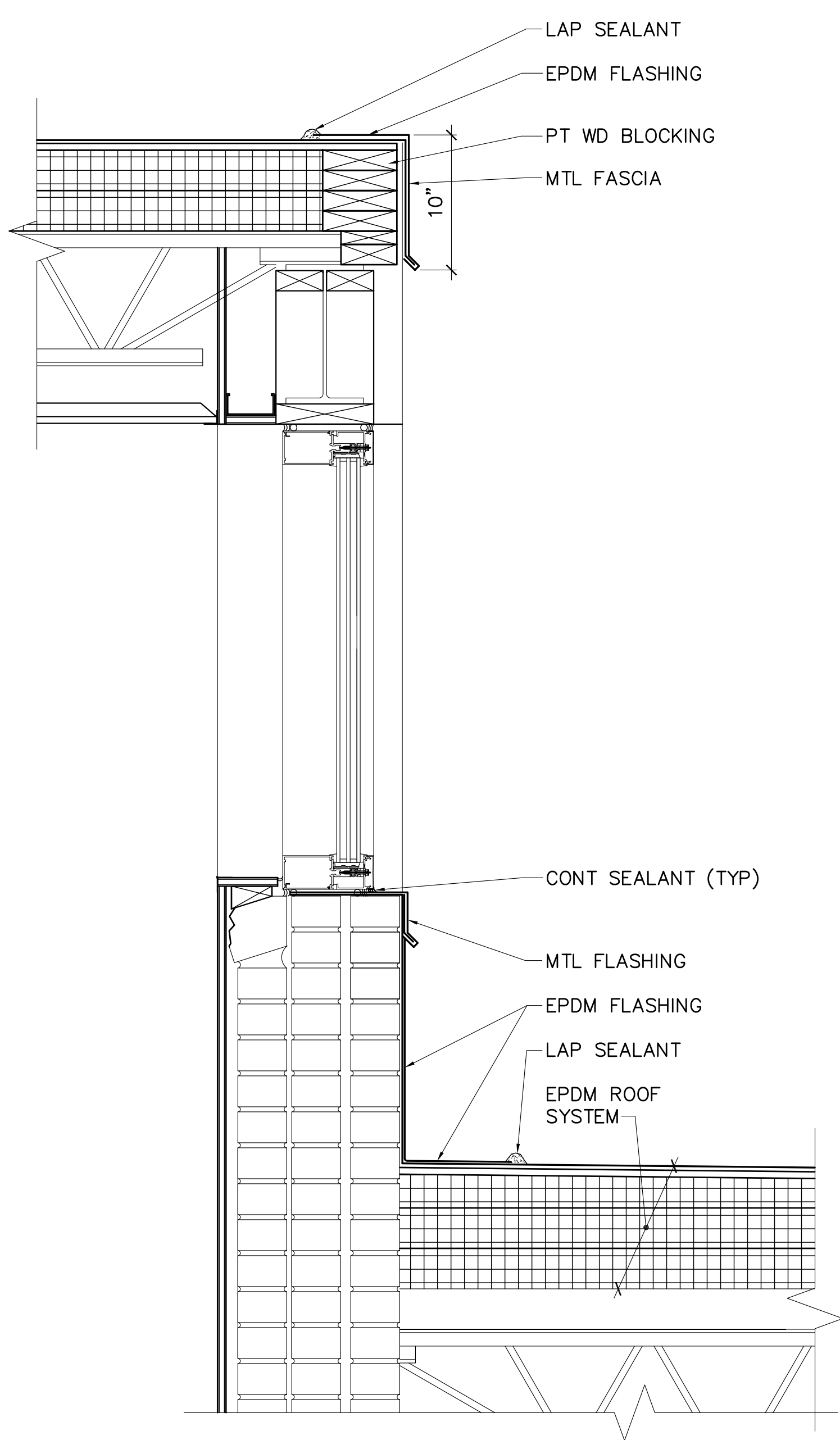
RENOVATIONS TO THE
 STEVENS AVENUE ARMORY

ROOF DETAILS

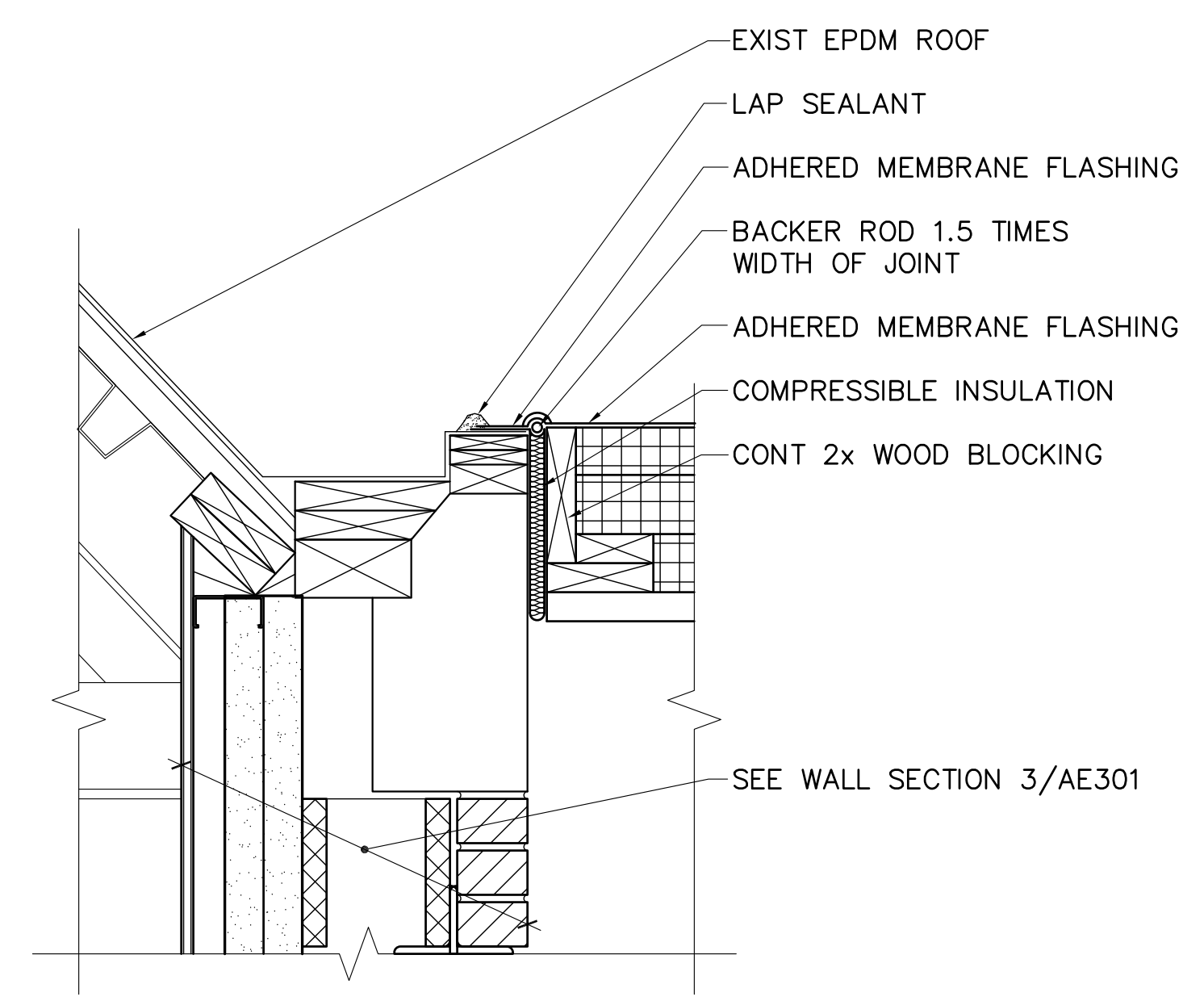
SCALE: AS NOTED
 DATE: 05-24-16

DWG. **AE502**

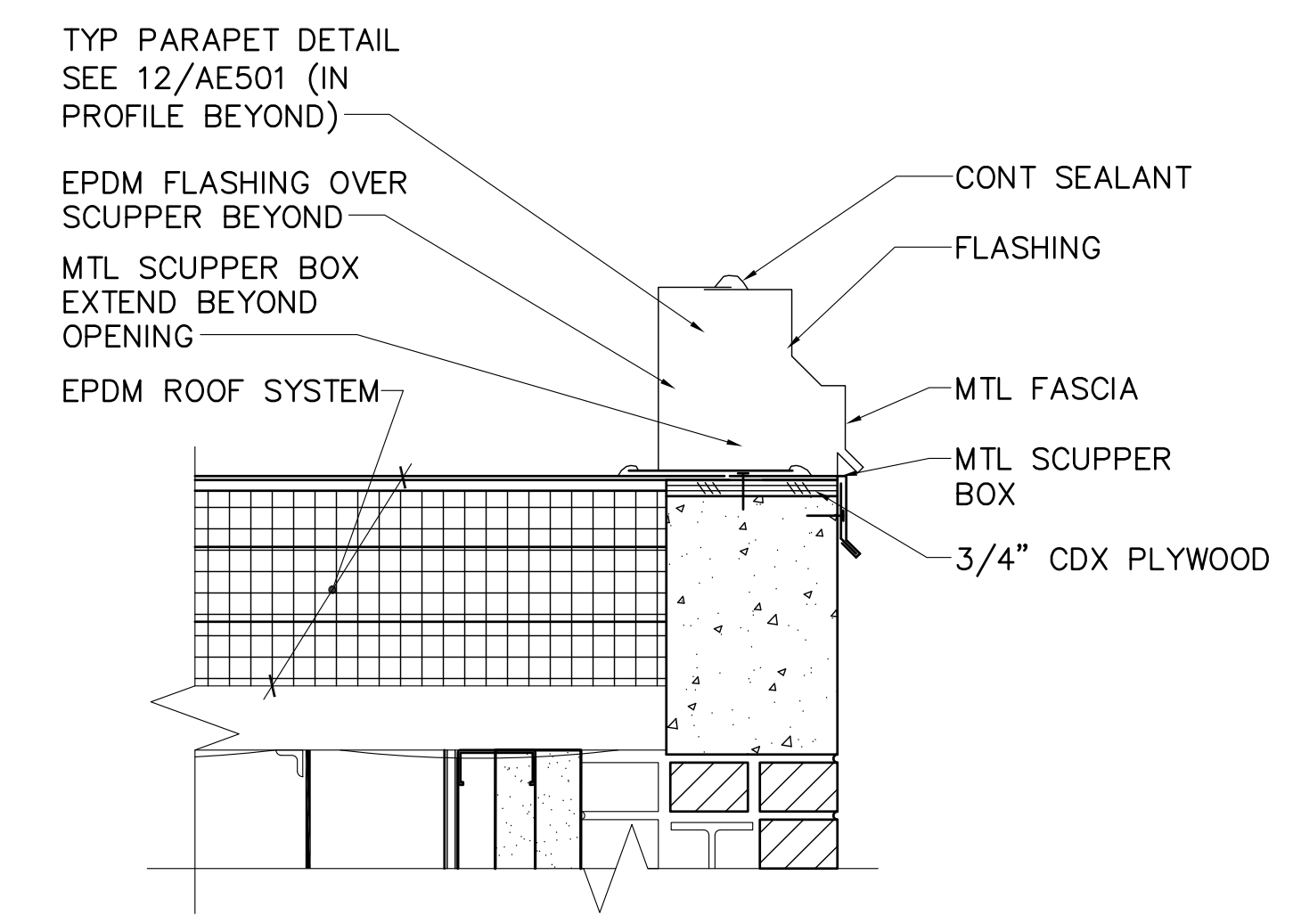
SHEET: **79** OF 169



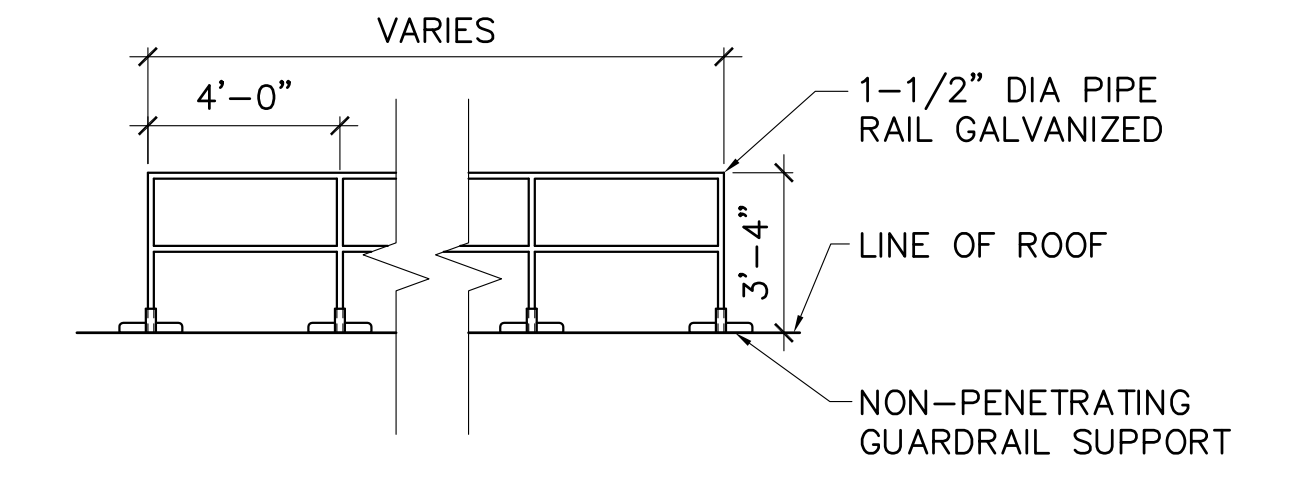
1 CLEARSTORY ROOF DETAIL
 AE120/AE502 SCALE: 1-1/2"=1'-0"



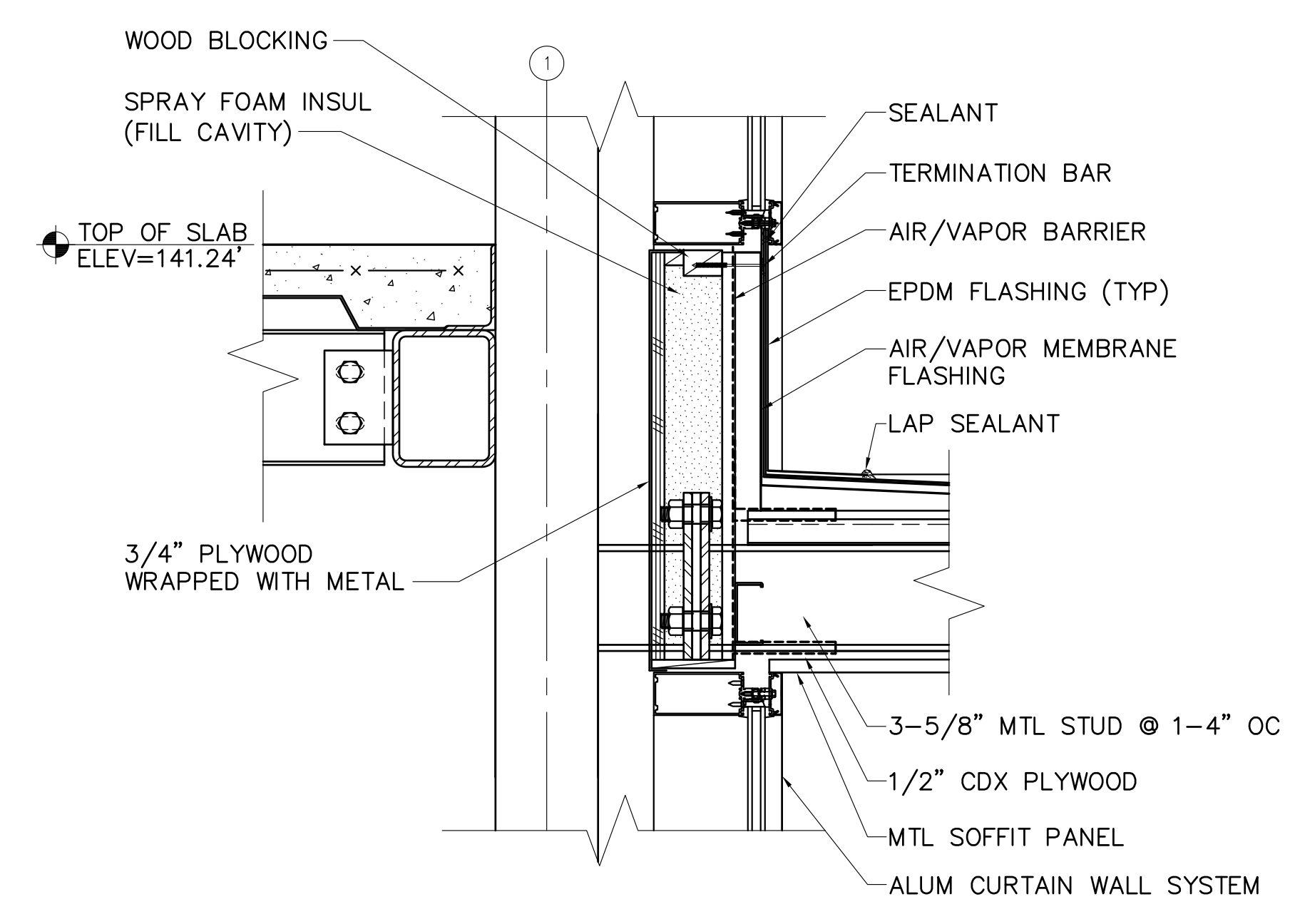
2 ROOF EDGE DETAIL
 AE120/AE502 SCALE: 1-1/2"=1'-0"



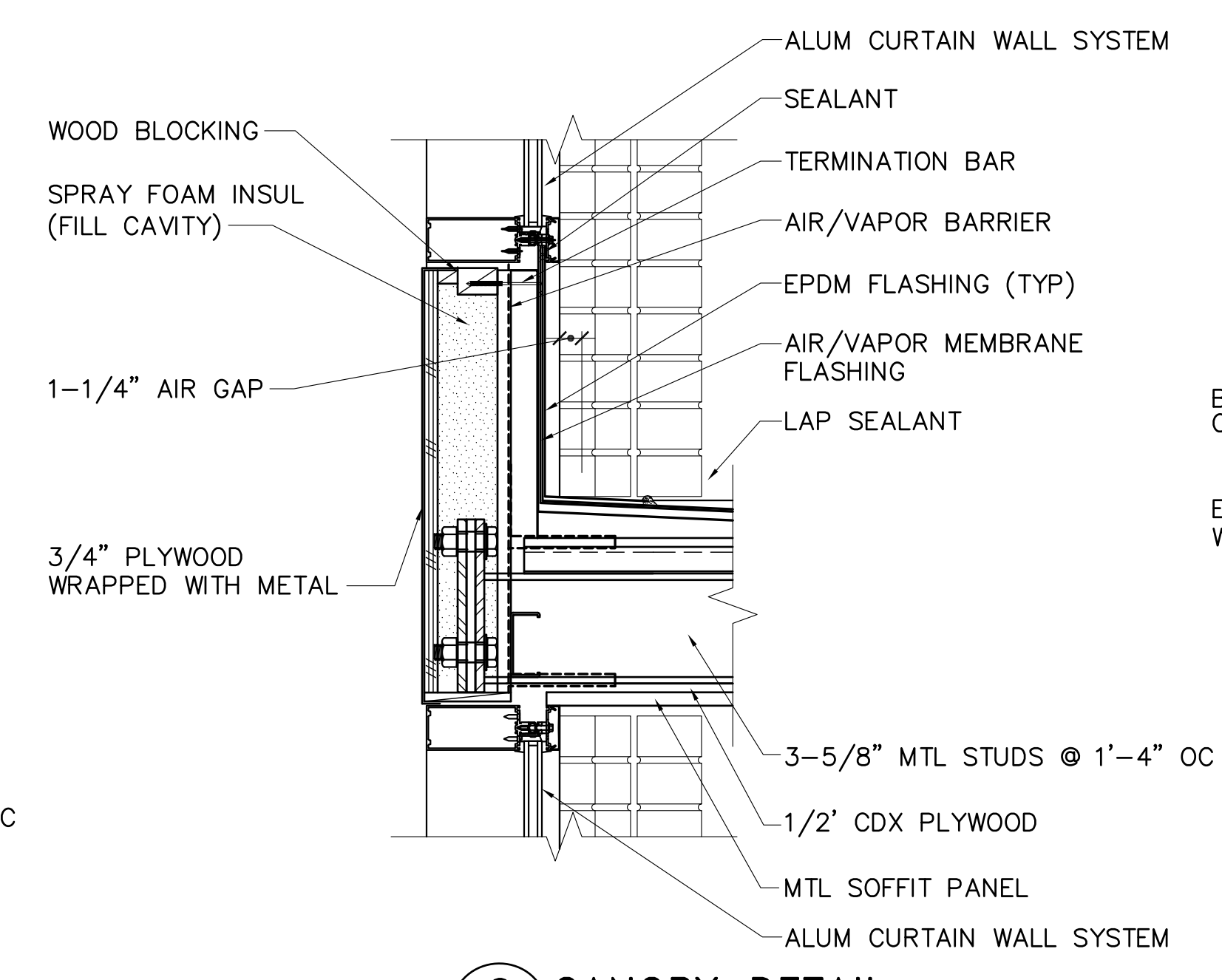
3 EMERGENCY OVERFLOW SCUPPER
 AE120/AE502 SCALE: 1-1/2"=1'-0"



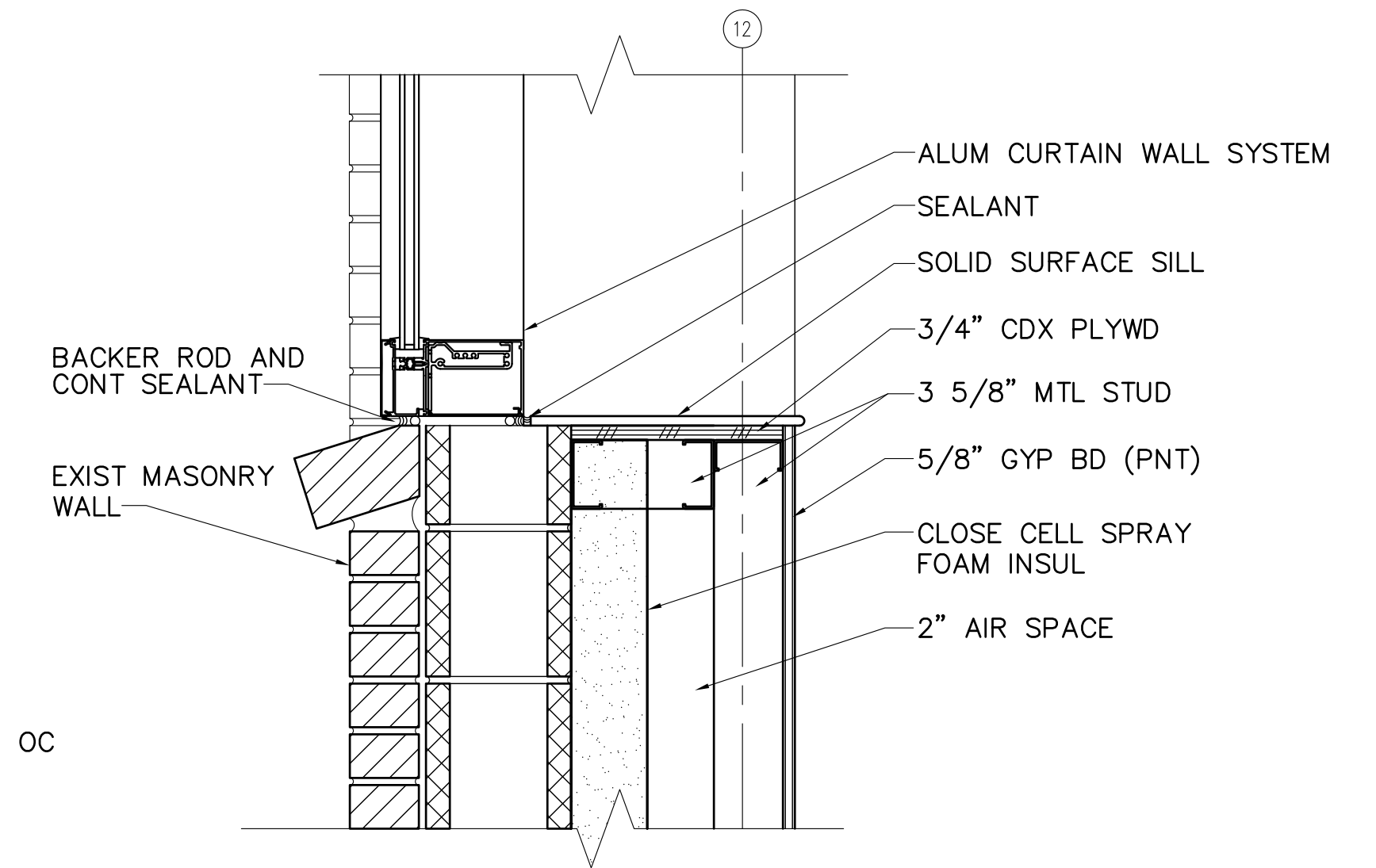
4 NON-PENETRATING GUARDRAIL DETAIL
 AE120/AE502 SCALE: 1/4"=1'-0"



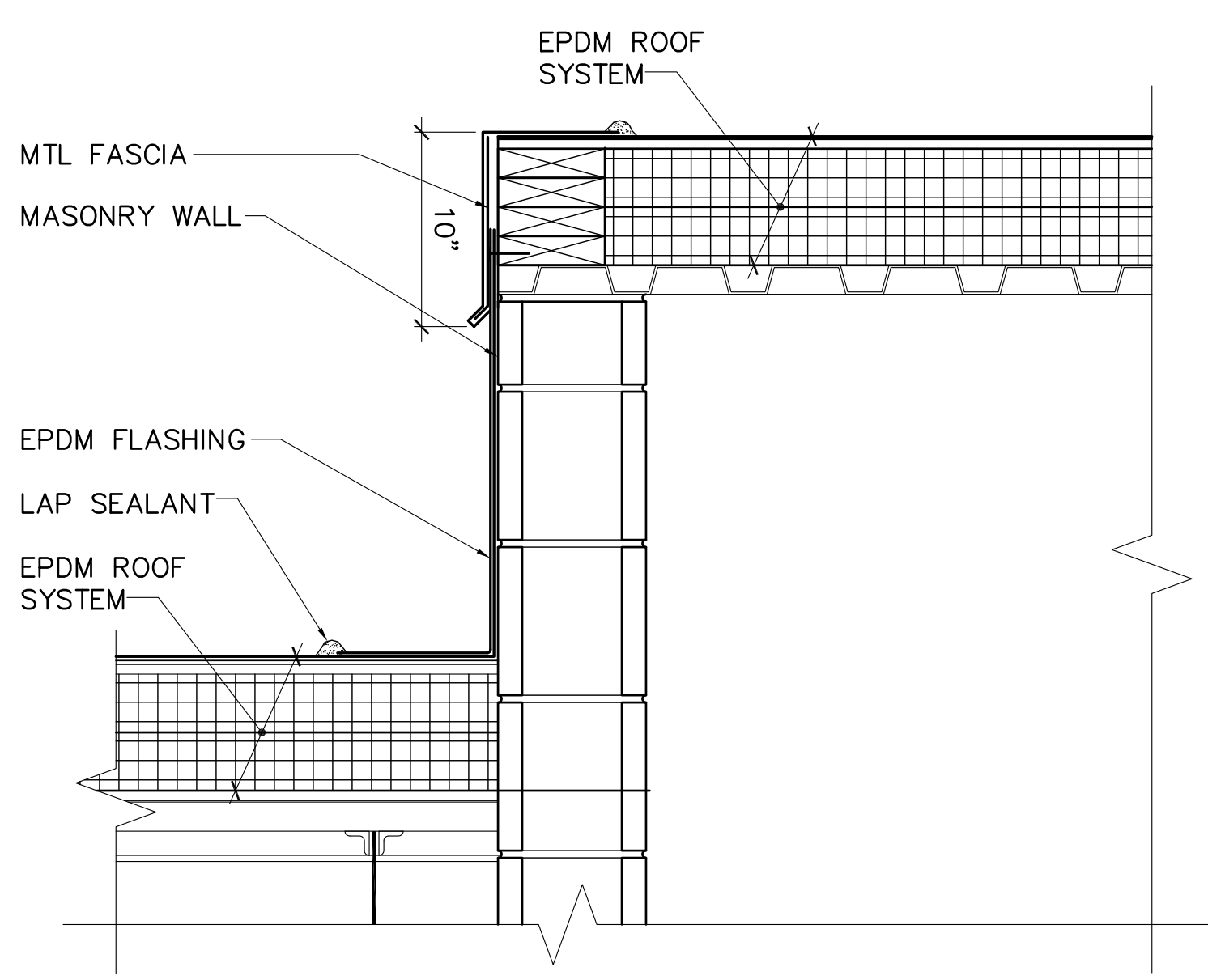
5 CANOPY DETAIL
 AE301/AE502 SCALE: 1-1/2"=1'-0"



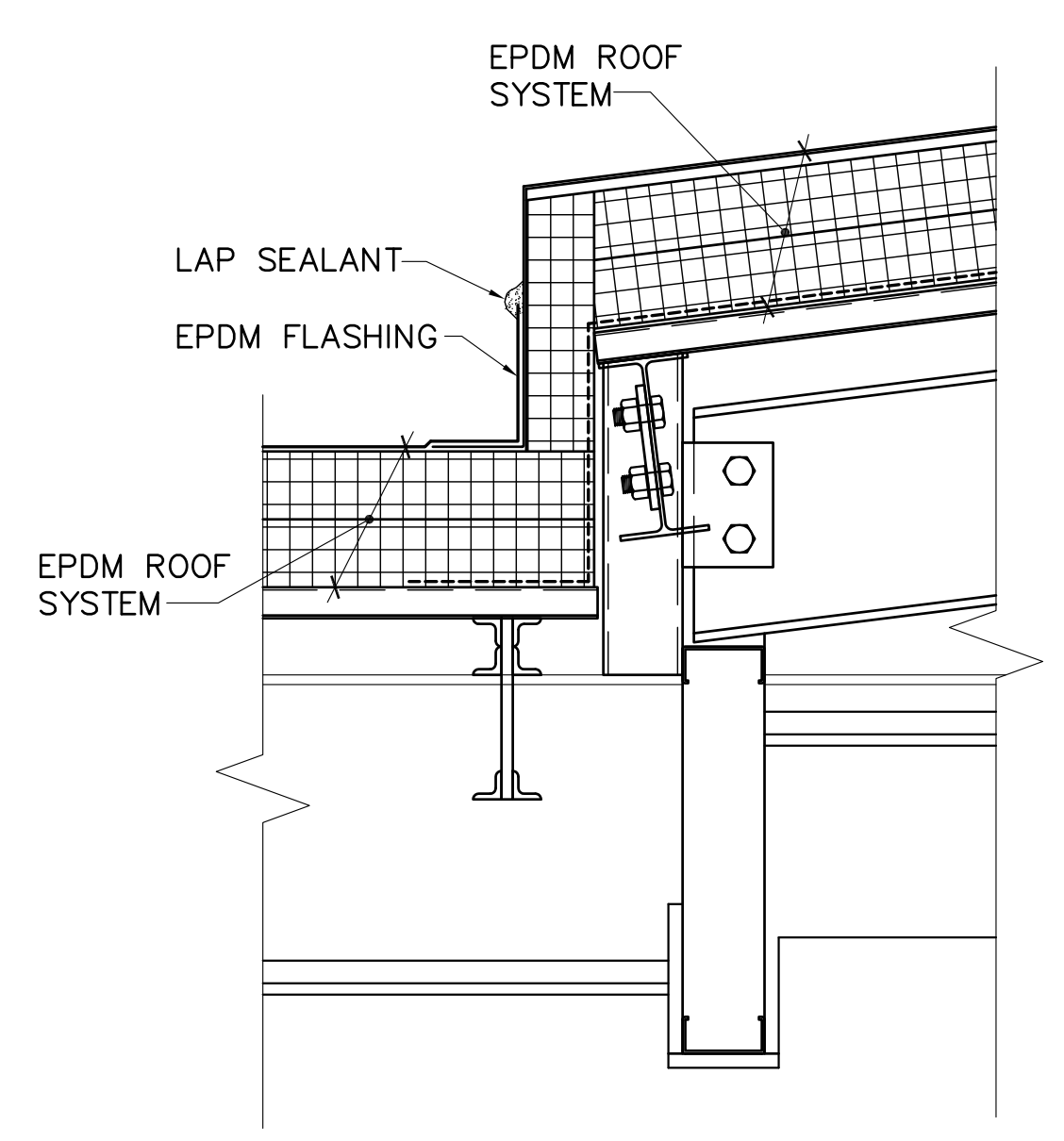
6 CANOPY DETAIL
 AE302/AE502 SCALE: 1-1/2"=1'-0"



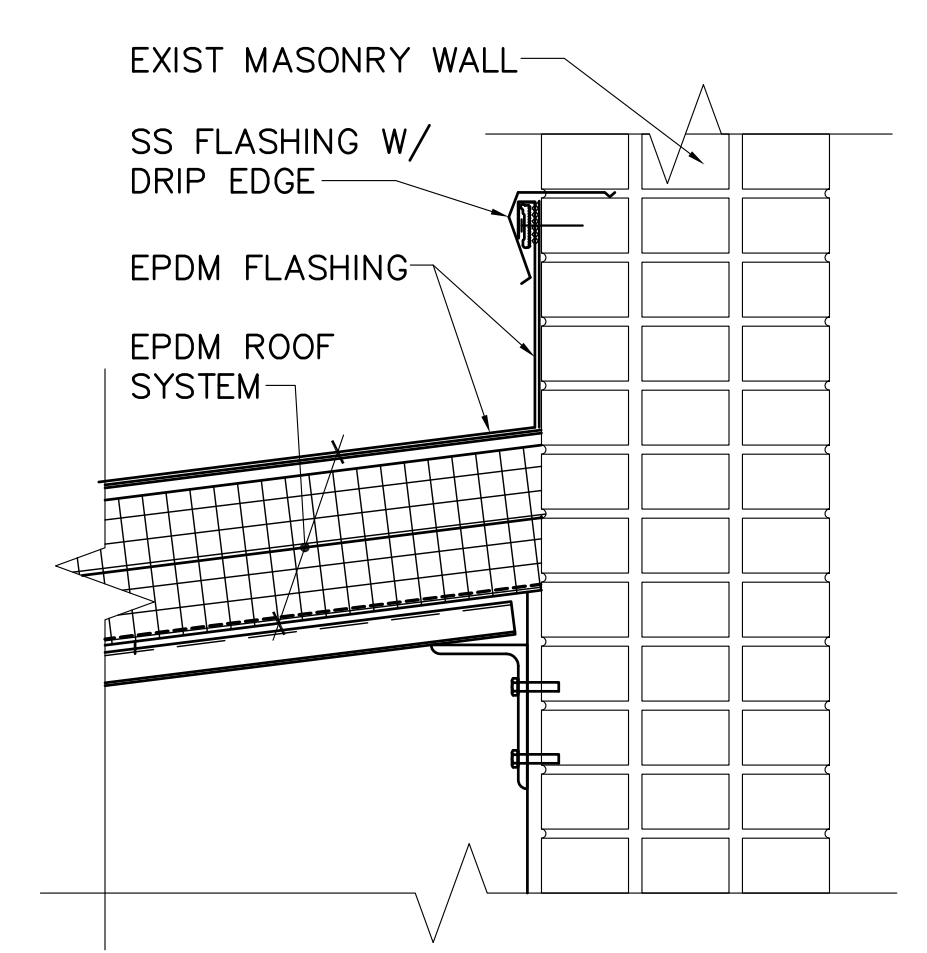
7 SILL DETAIL
 AE302/AE502 SCALE: 1-1/2"=1'-0"



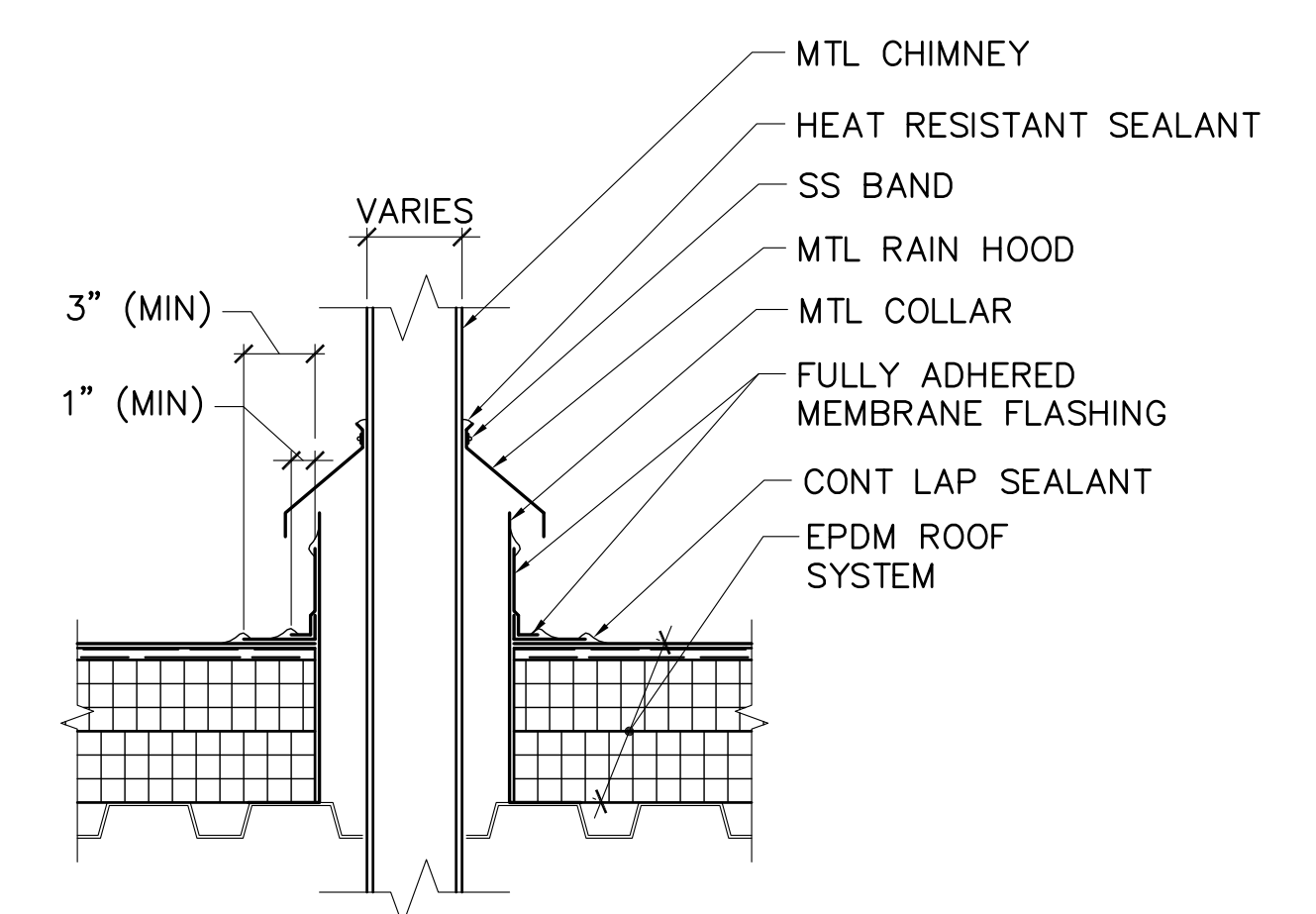
8 ELEVATOR ROOF DETAIL
 AE302/AE502 SCALE: 1-1/2"=1'-0"



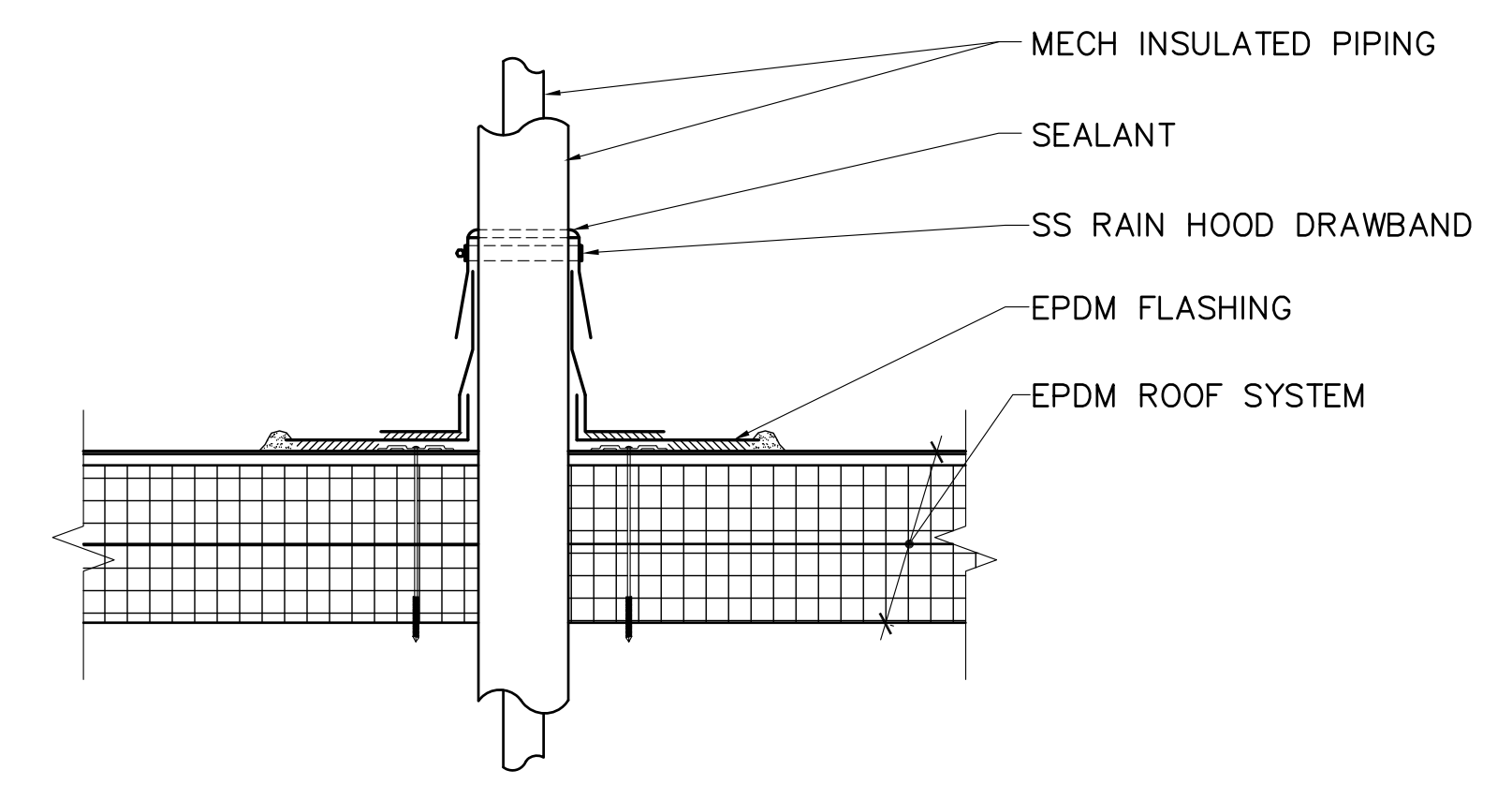
9 DETAIL @ RAISED ROOF
 AE303/AE502 SCALE: 1-1/2"=1'-0"



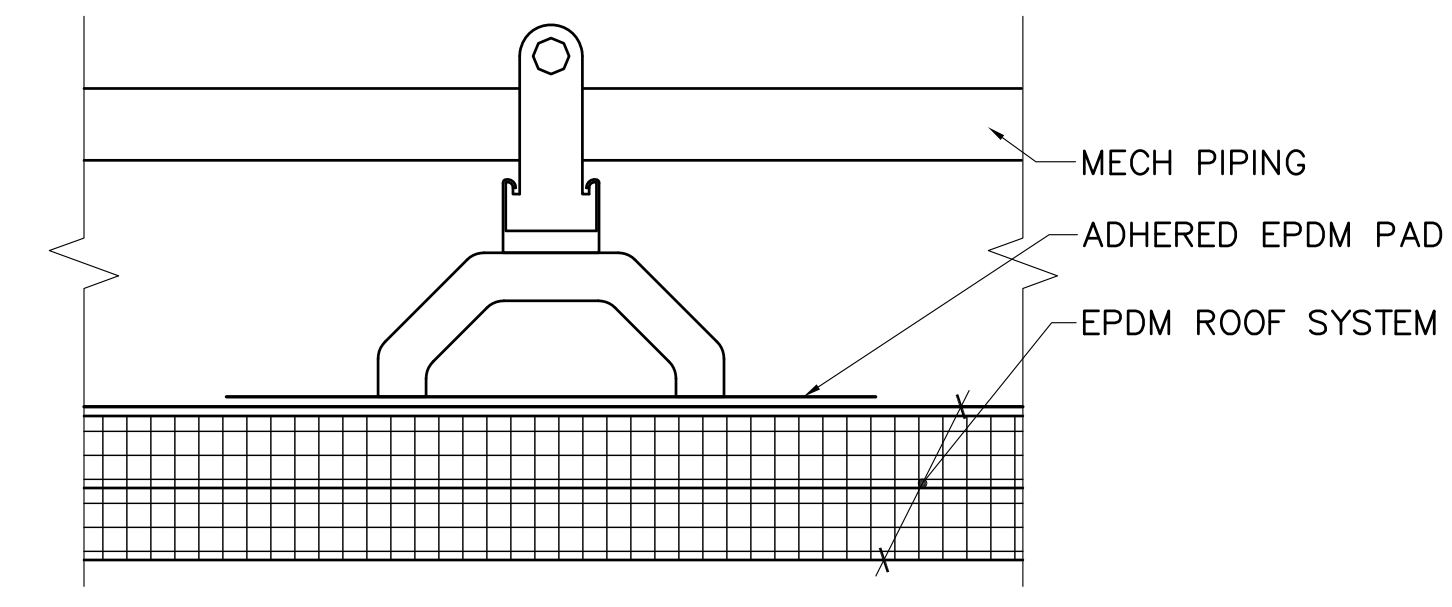
10 DETAIL @ RAISED ROOF
 AE303/AE502 SCALE: 1-1/2"=1'-0"



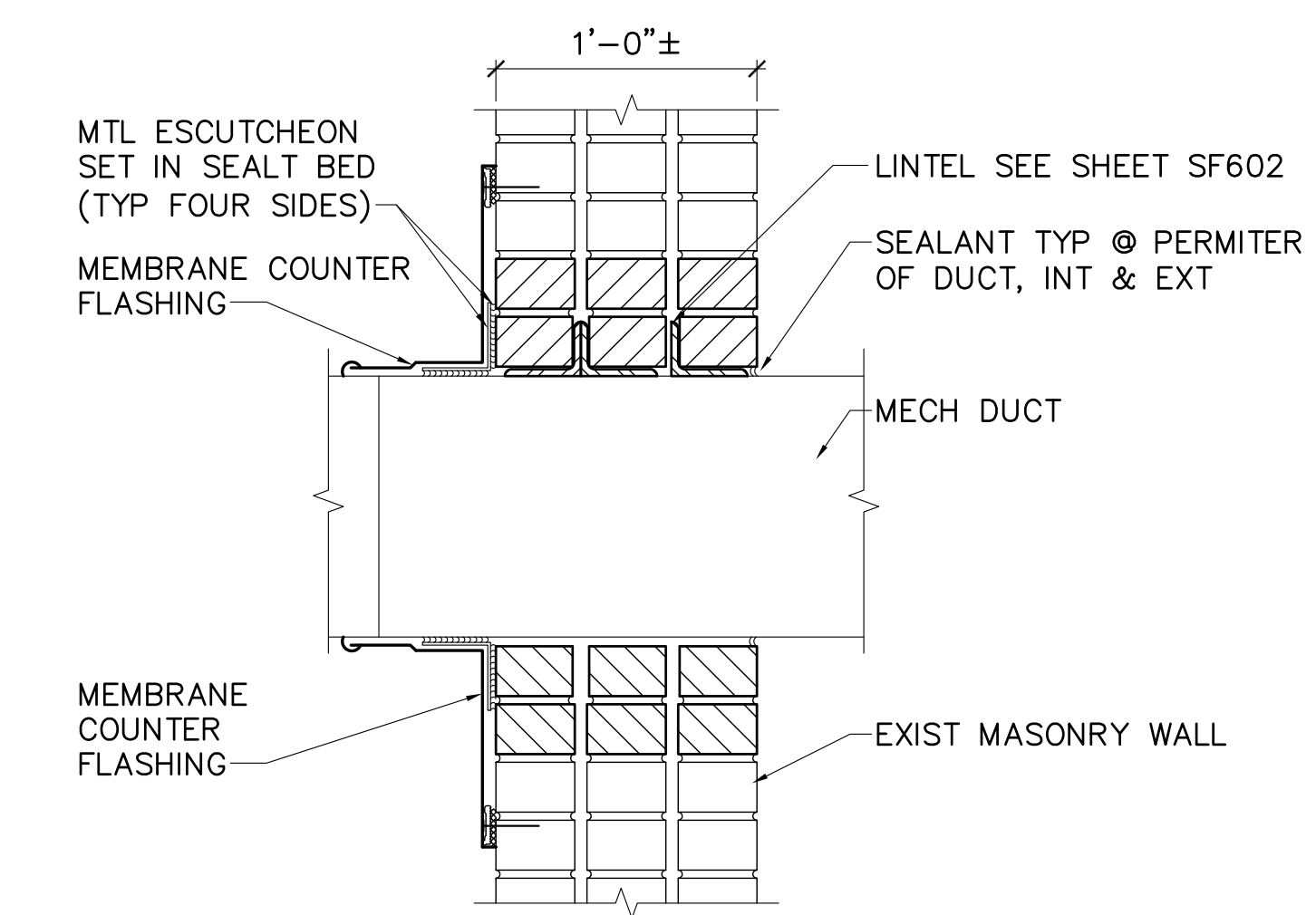
11 EXHAUST FLUE DETAIL
 AE120/AE502 SCALE: 1-1/2"=1'-0"



12 MECH INSUL PIPE DETAIL
 AE120,SF403/AE501 SCALE: 1-1/2"=1'-0"



13 PIPE SUPPORT DETAIL
 AE120/AE502 NOT TO SCALE



14 DUCT PENERTION @ MASONRY WALL
 AE502 SCALE: 1-1/2"=1'-0"

