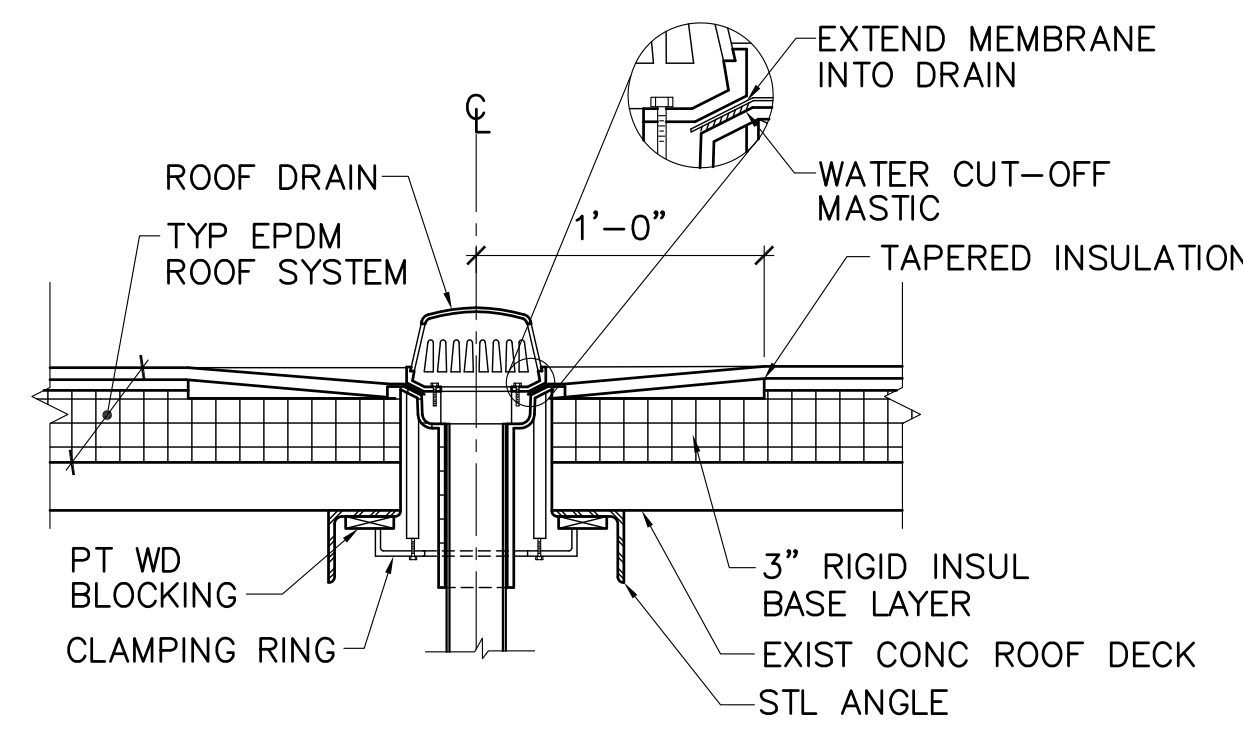
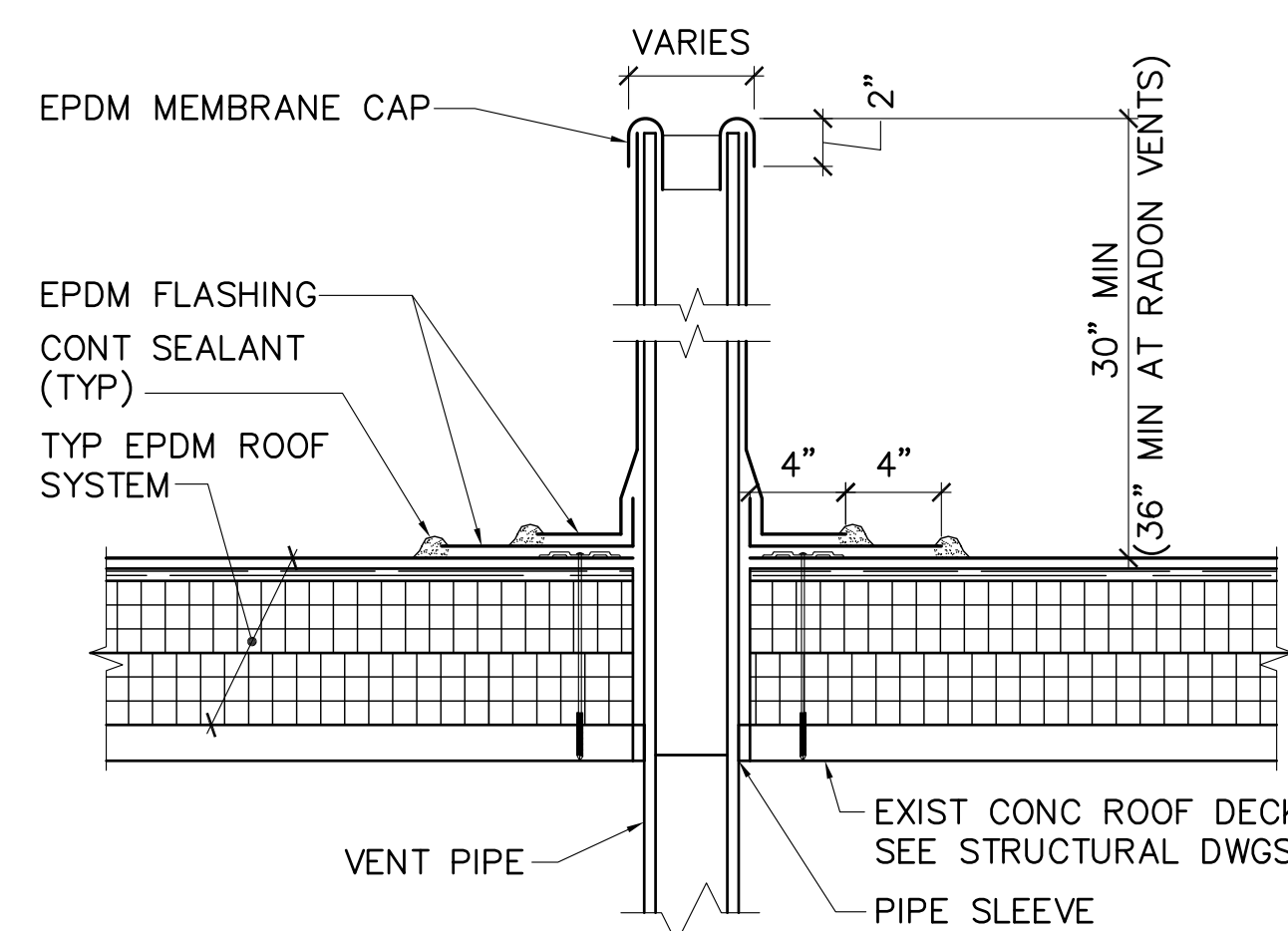


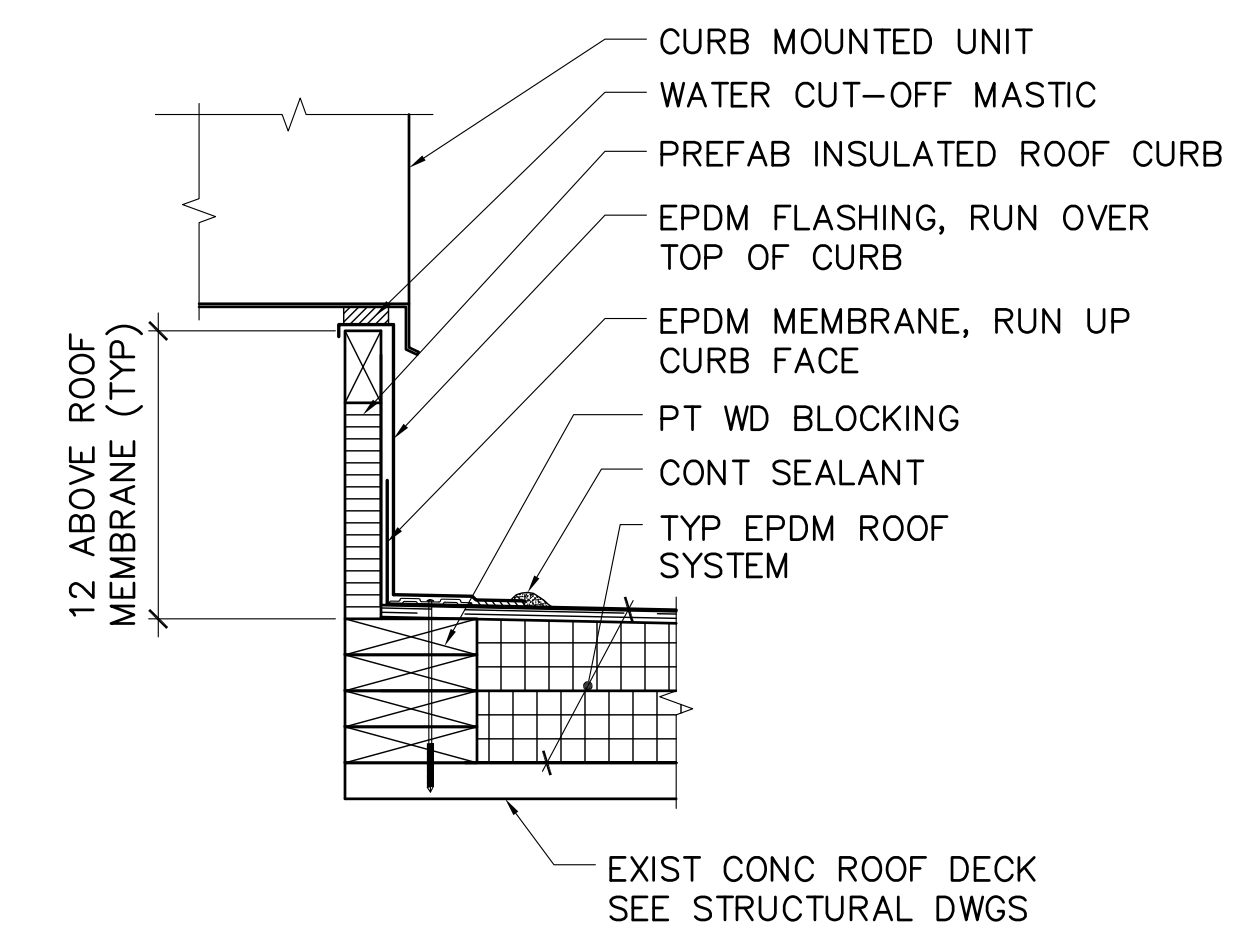
1 TYP EPDM ROOF SYSTEM
 AE501 SCALE: 3"=1'-0"
 AE120



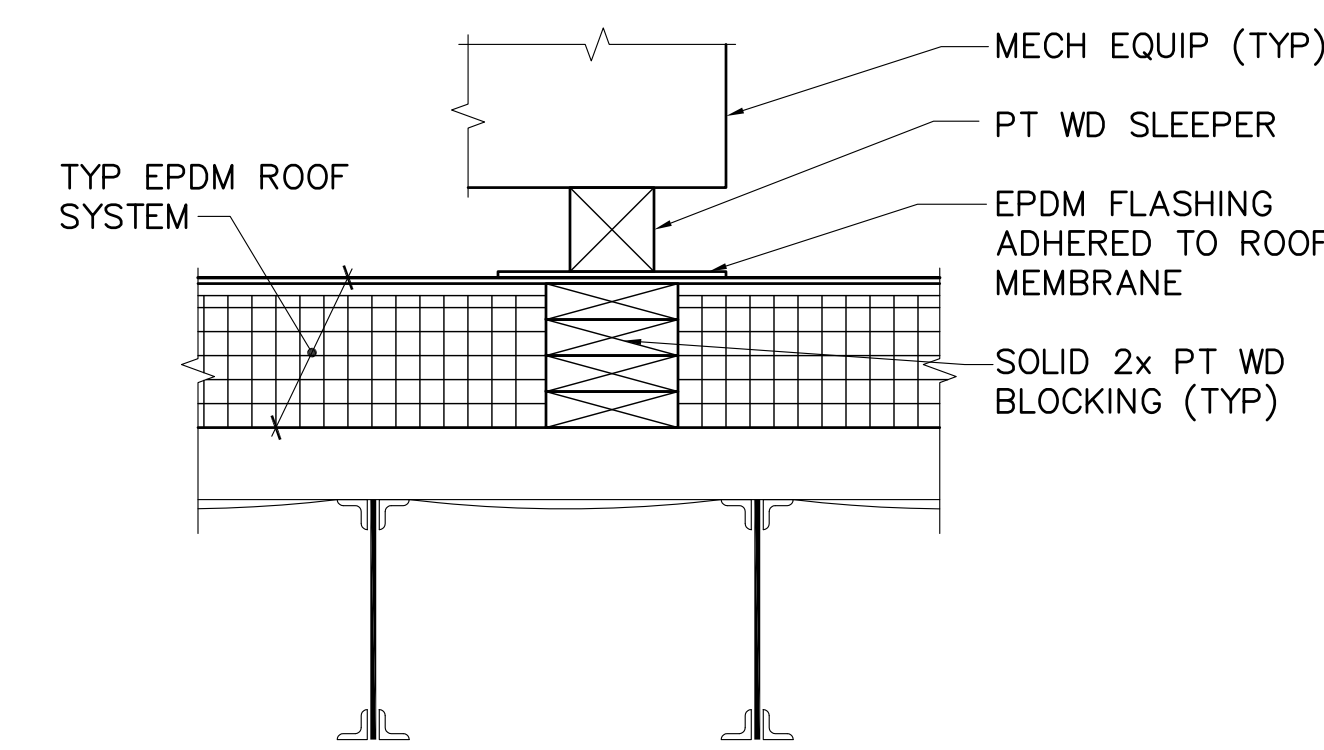
2 TYP DETAIL @ ROOF DRAIN
 AE501 SCALE: 1-1/2"=1'-0"
 AE120



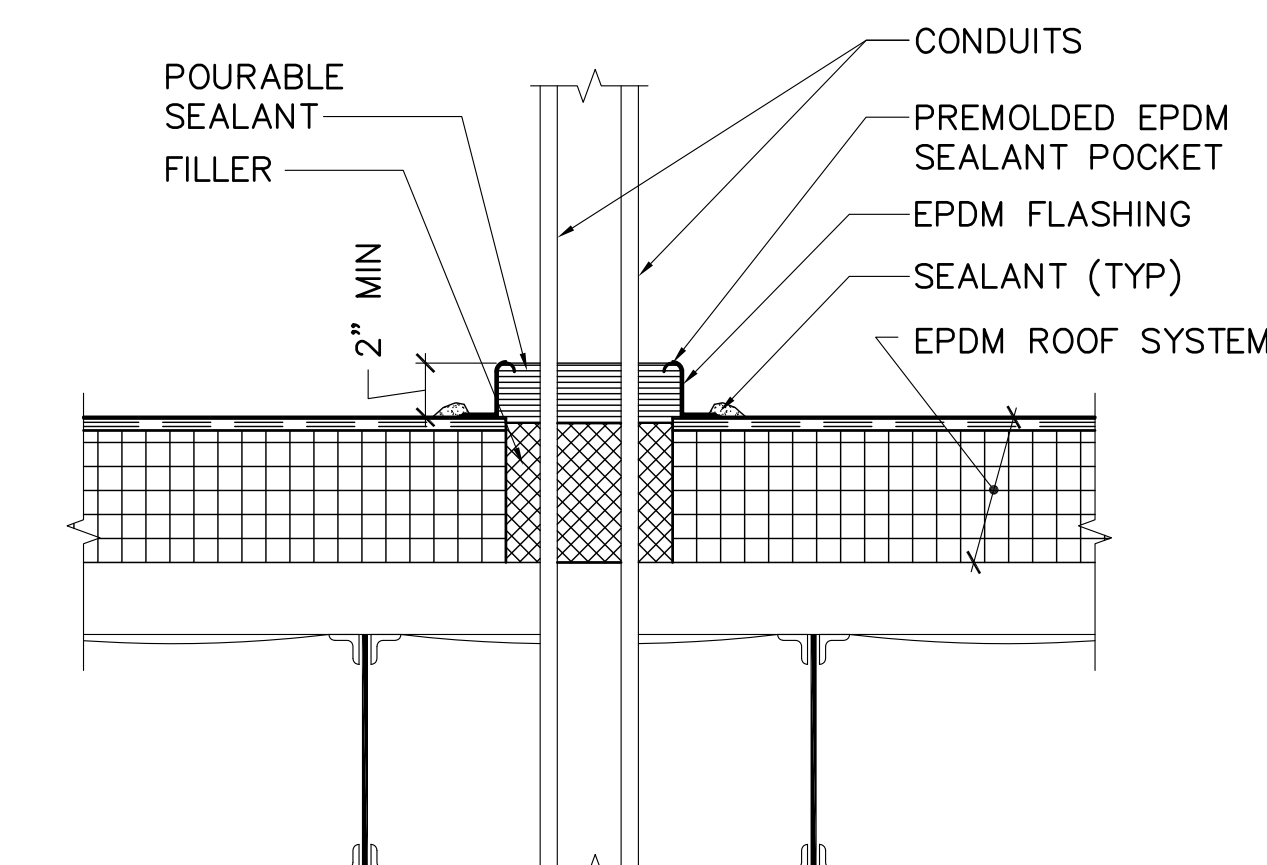
3 TYP VENT PIPE DETAIL
 AE501 SCALE: 1-1/2"=1'-0"
 AE120



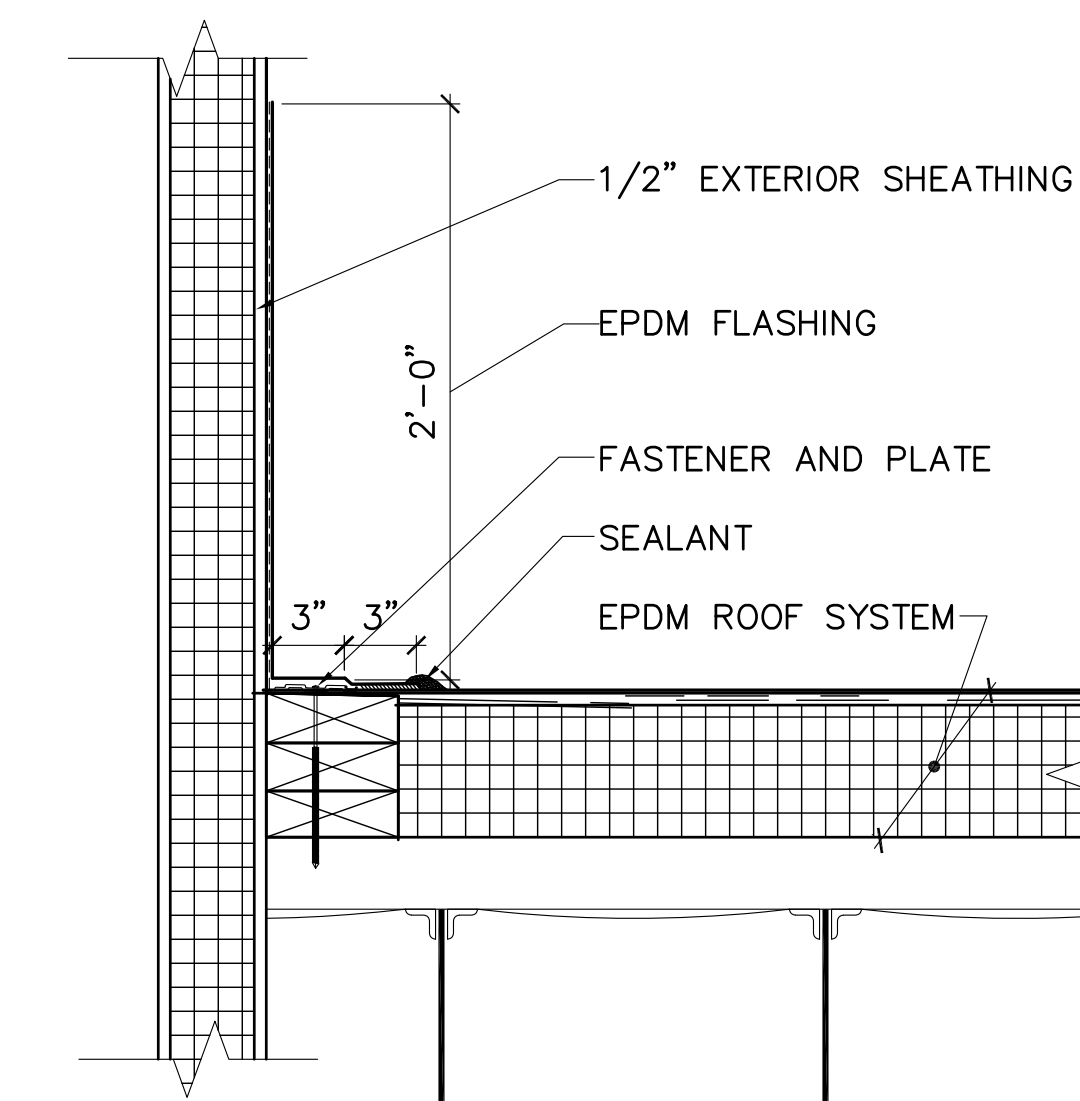
4 TYP EQUIP CURB DETAIL
 AE501 SCALE: 1-1/2"=1'-0"
 AE120



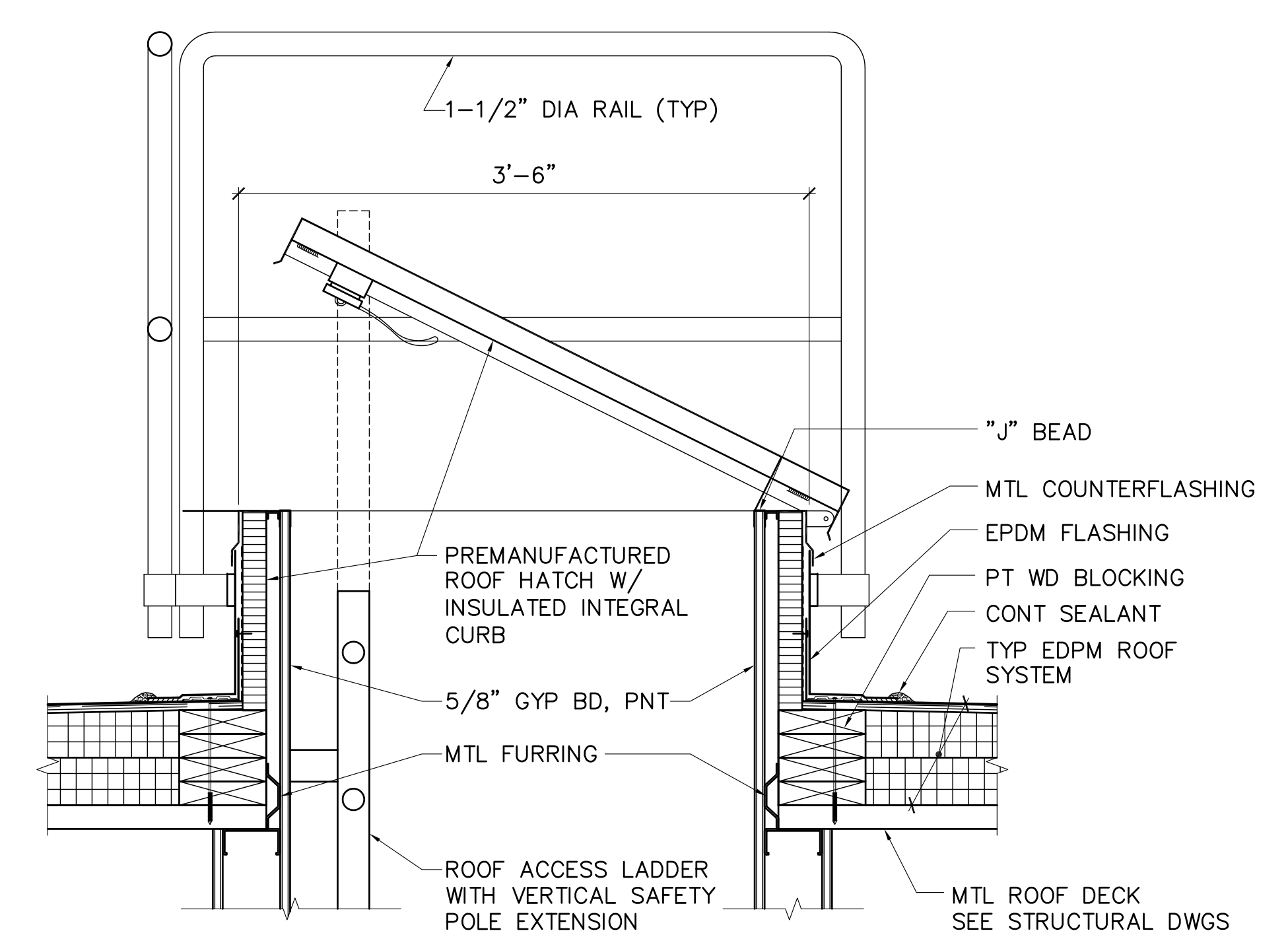
5 TYP ROOF SLEEPER DETAIL
 AE501 SCALE: 1-1/2"=1'-0"
 AE120, P110



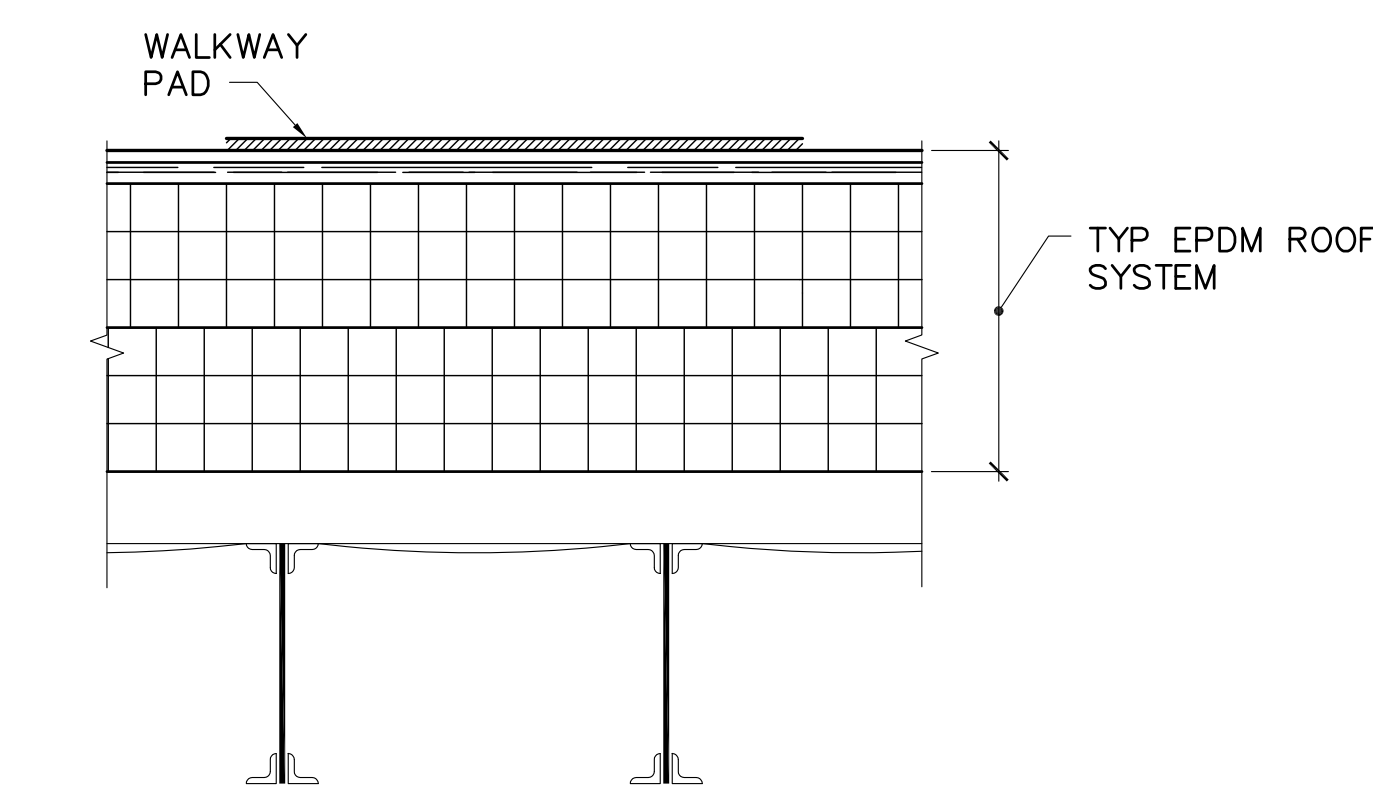
6 TYP PITCH POCKET DETAIL
 AE501 SCALE: 1-1/2"=1'-0"
 AE120



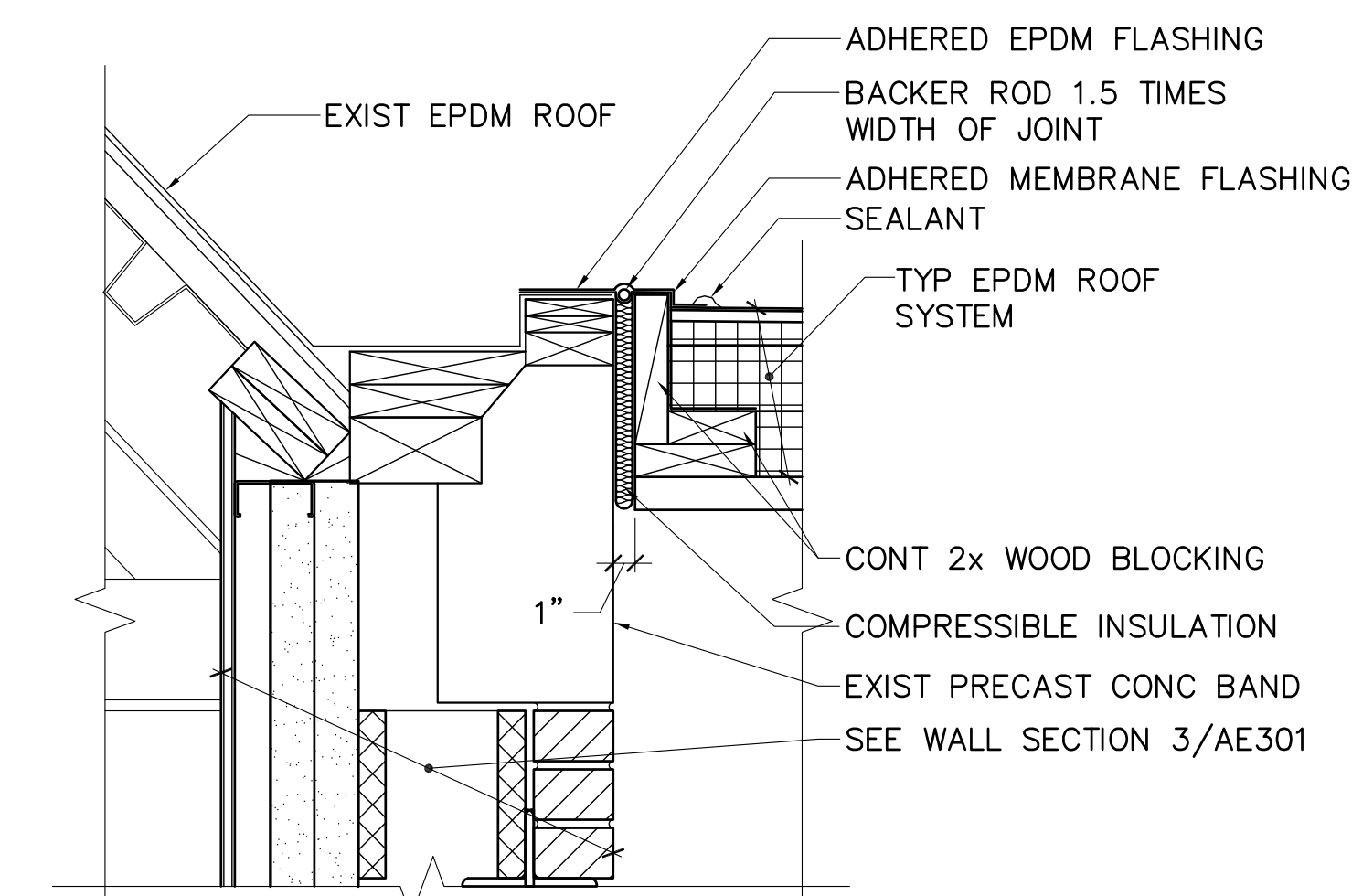
7 TYP PARAPET FLASHING
 AE501 SCALE: 1-1/2"=1'-0"
 AE120



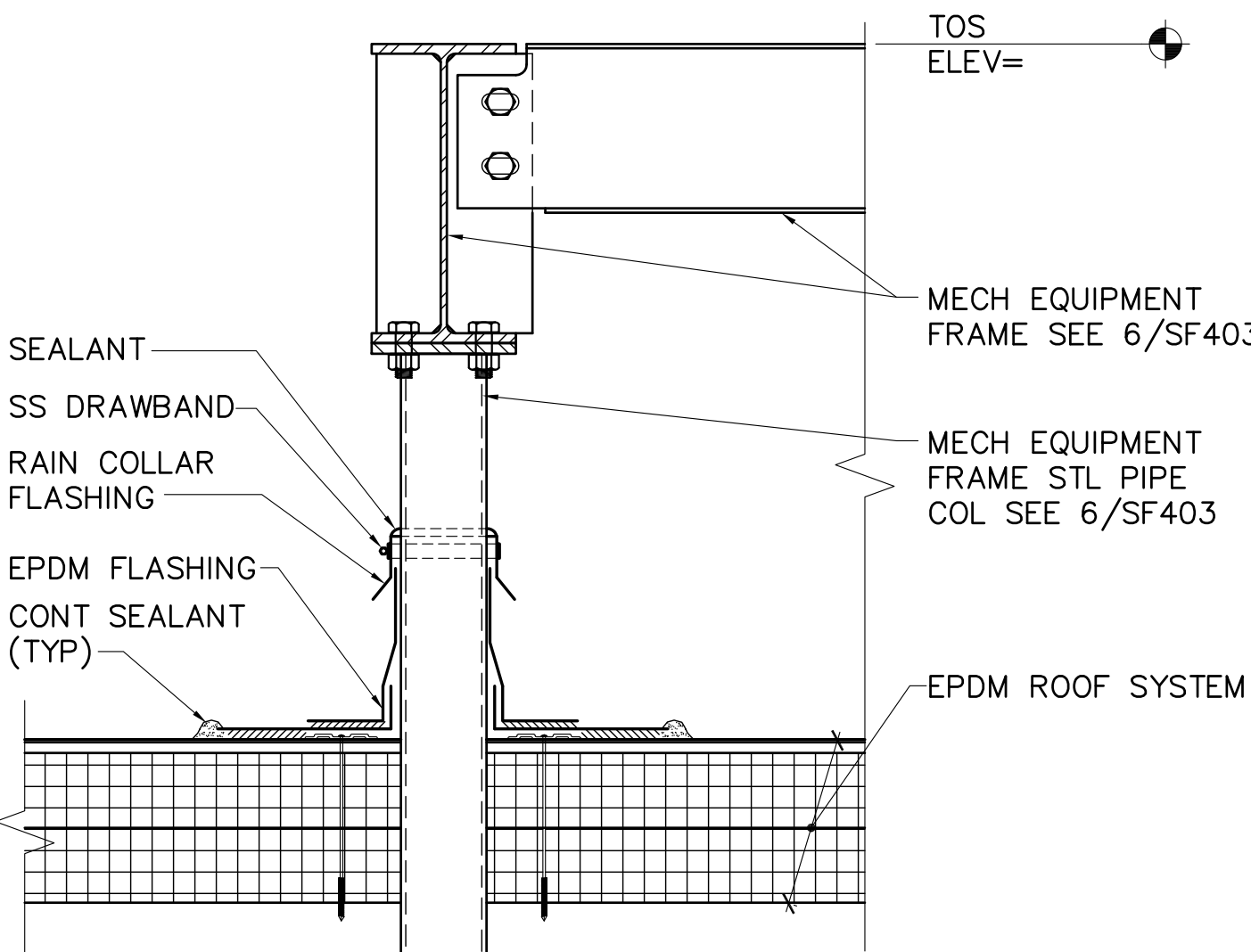
8 TYP ROOF HATCH DETAIL
 AE501 SCALE: 1-1/2"=1'-0"
 AE120



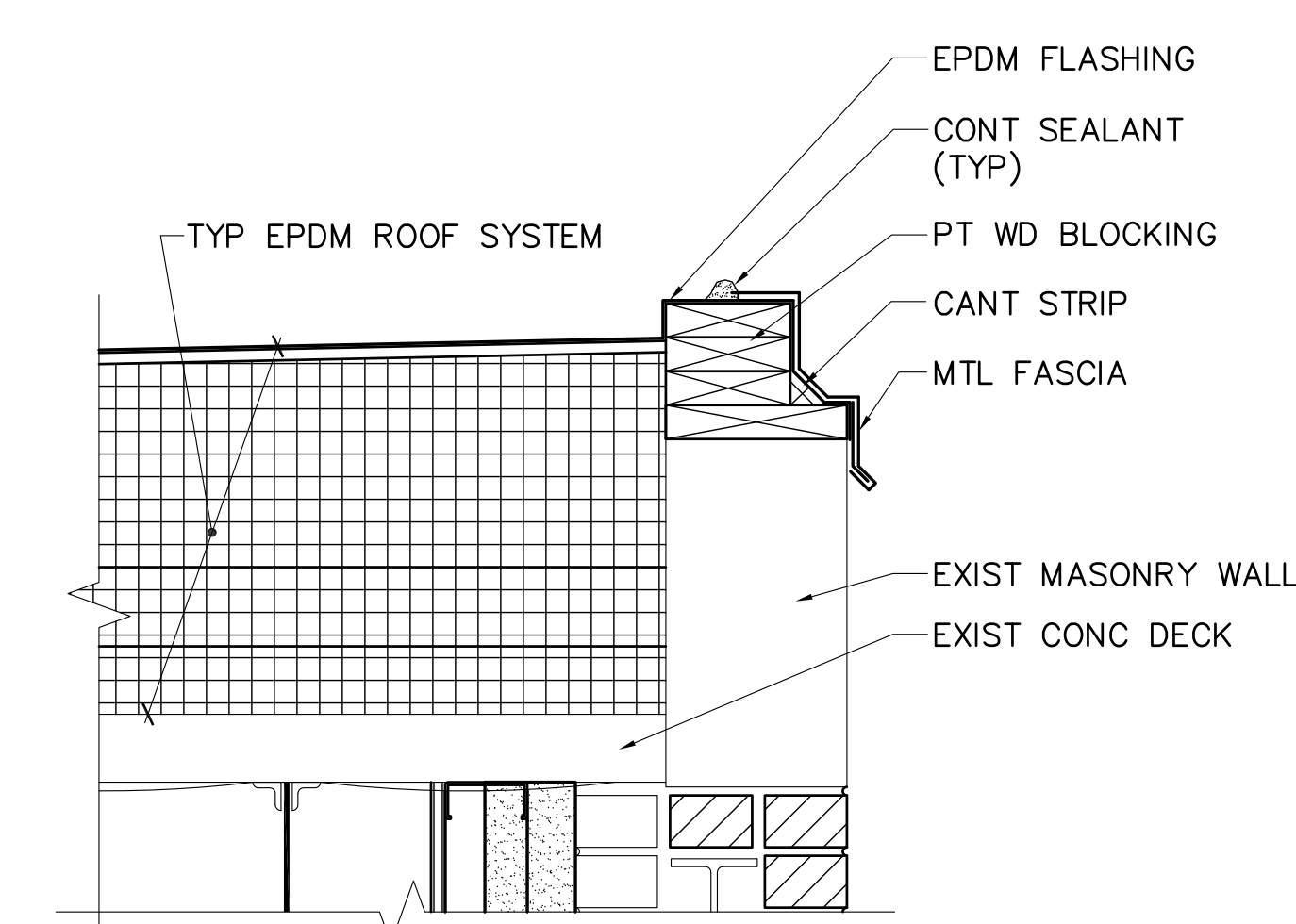
9 WALKWAY PAD DETAIL
 AE501 SCALE: 3"=1'-0"
 AE120



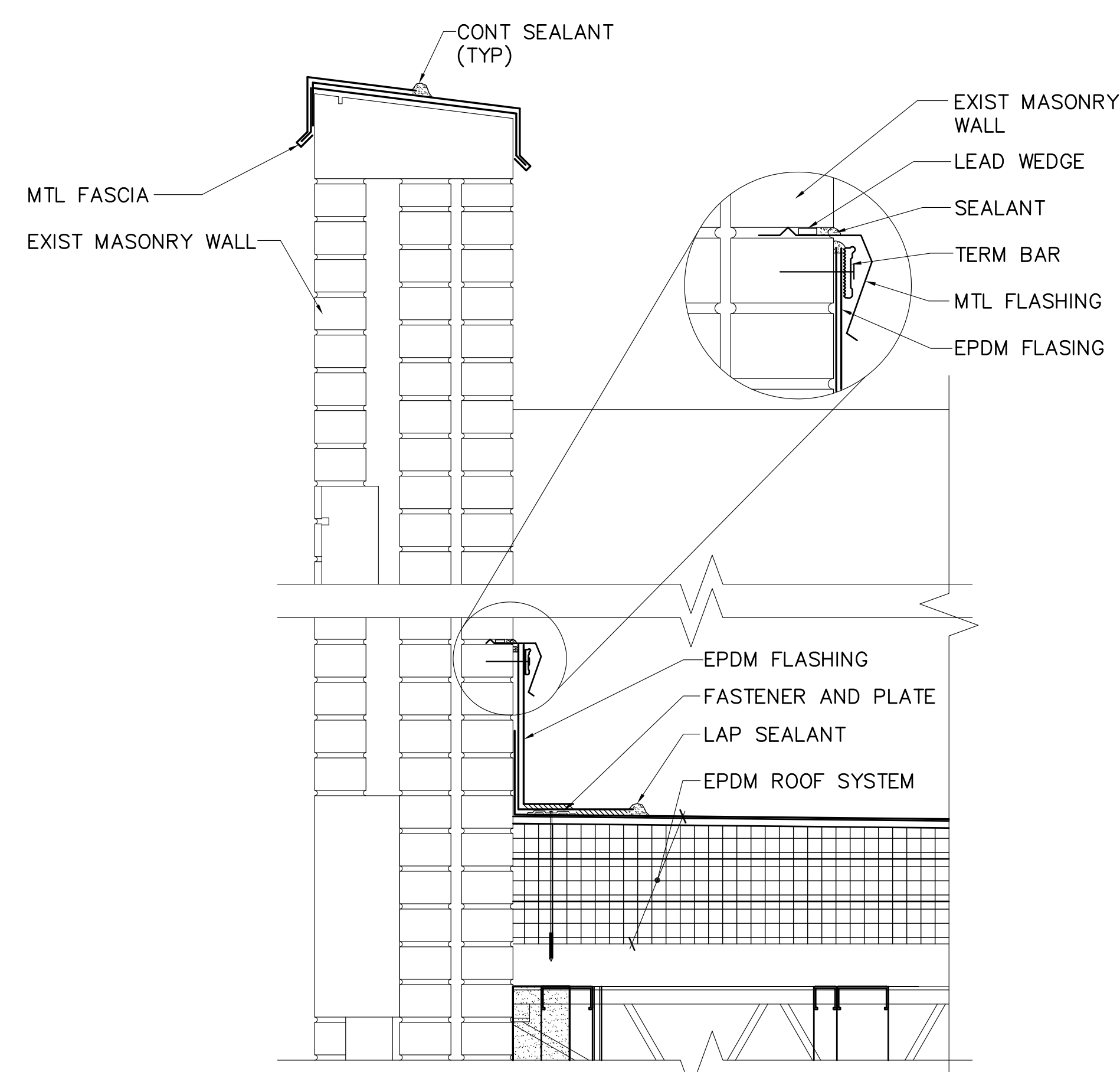
10 ROOF EDGE DETAIL
 AE501 SCALE: 1-1/2"=1'-0"
 AE120, AE301



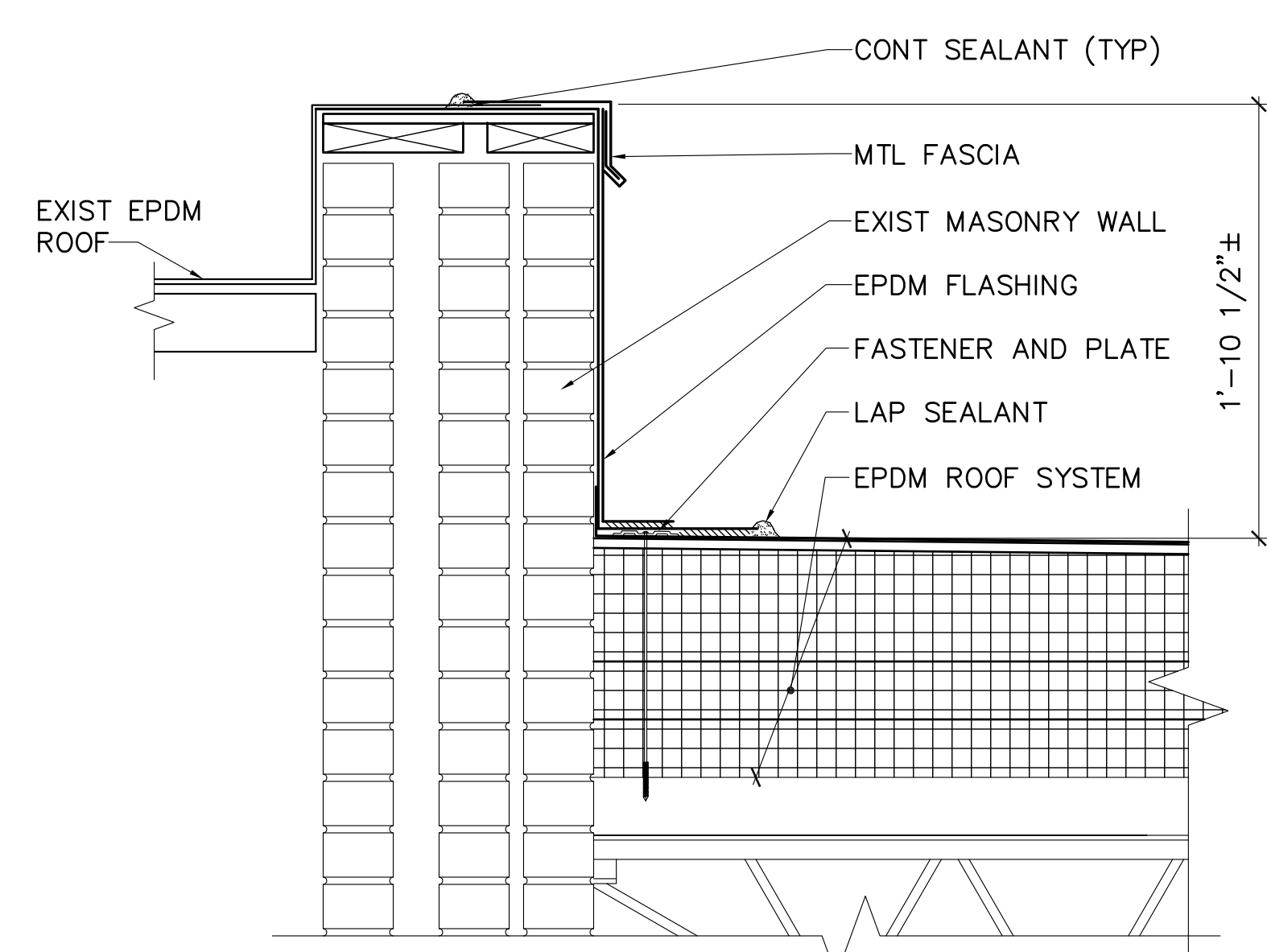
11 MECH EQUIPMENT SUPPORT
 AE501 SCALE: 1-1/2"=1'-0"
 AE120, SF403



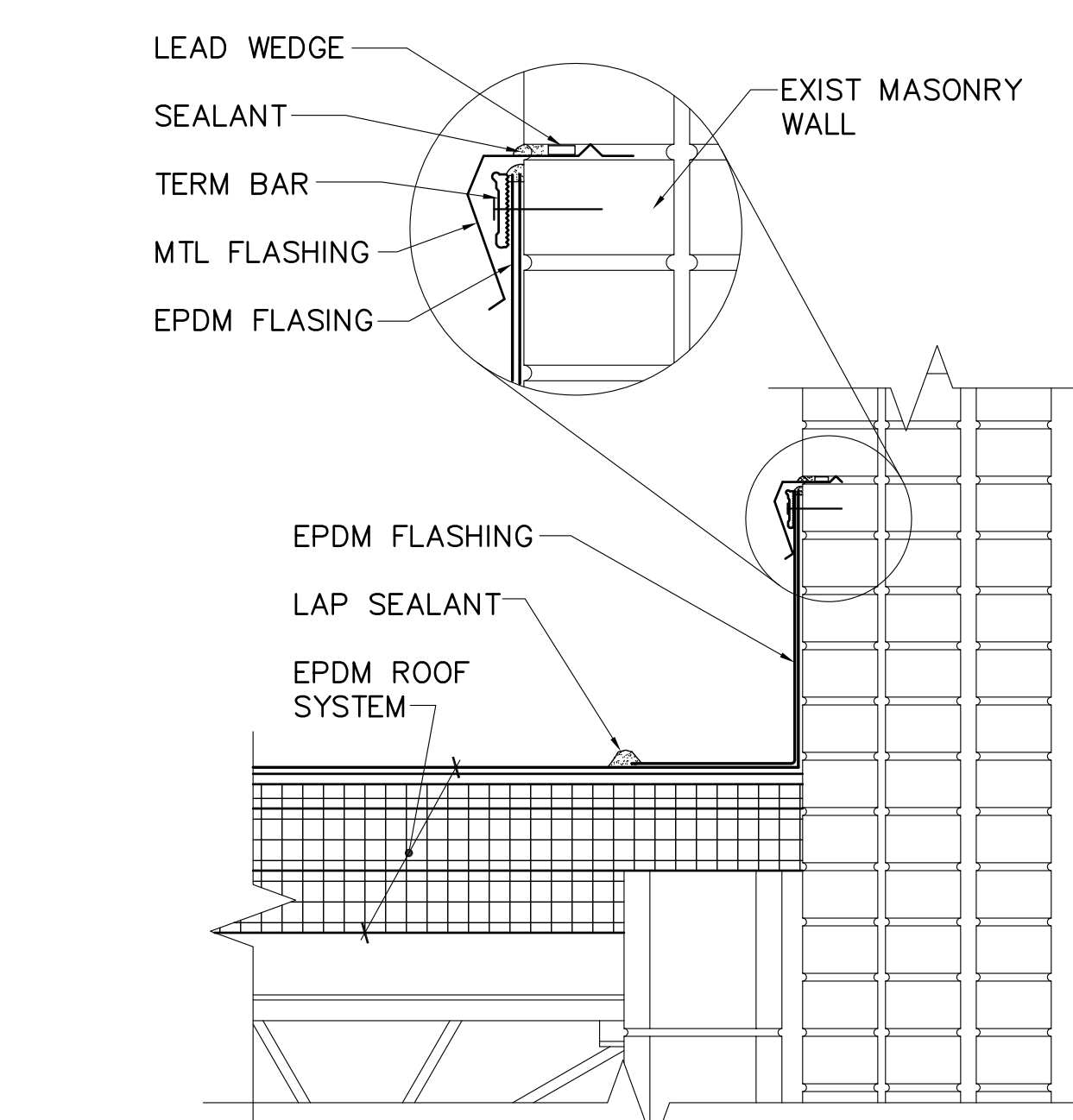
12 ROOF EDGE DETAIL
 AE501 SCALE: 1-1/2"=1'-0"
 AE120, AE304, SF403



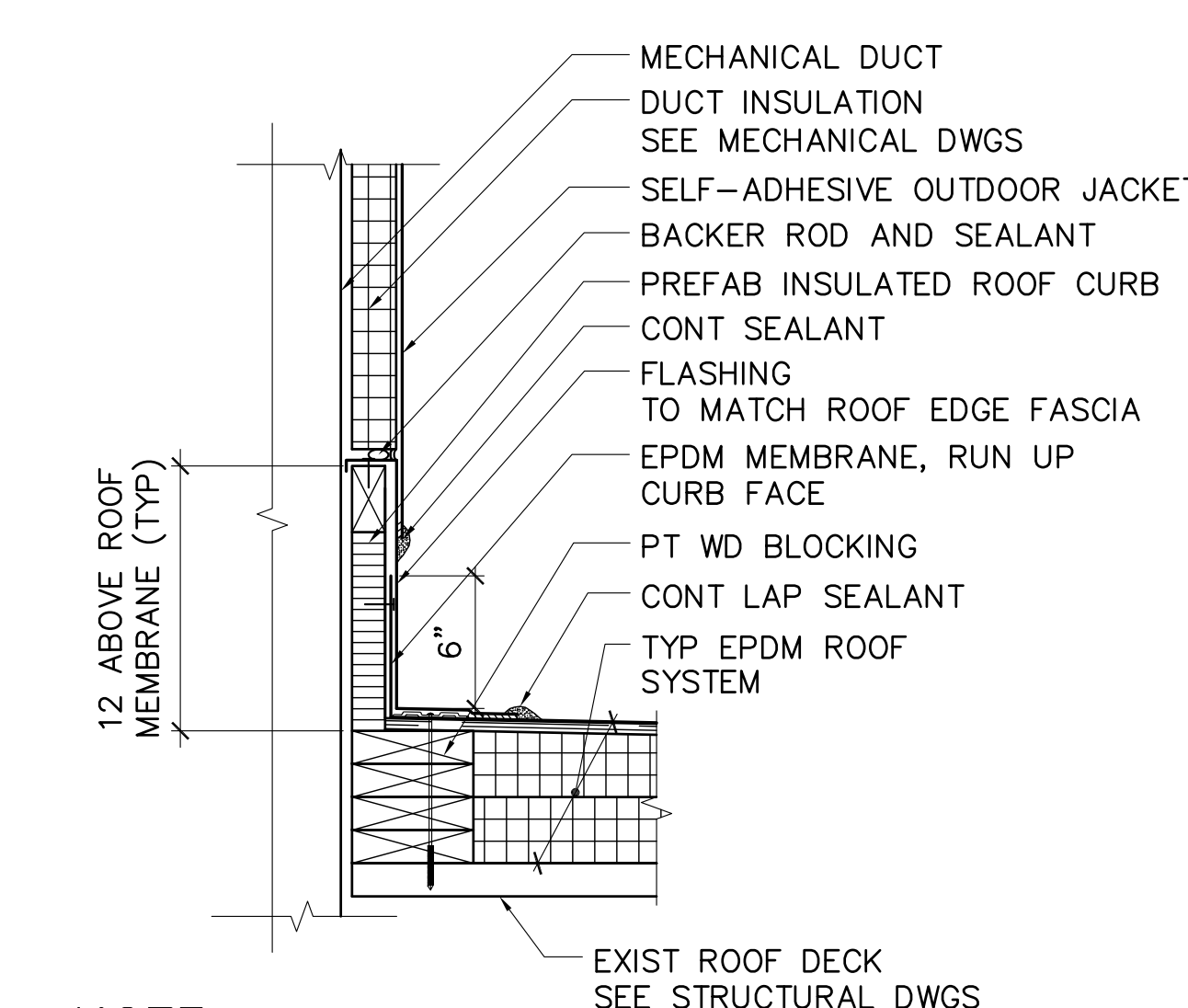
13 PARAPET WALL DETAIL
 AE501 SCALE: 1-1/2"=1'-0"
 AE120



14 ROOF DETAIL
 AE501 SCALE: 1-1/2"=1'-0"
 AE120



15 ROOF TERMINATION BAR DETAIL
 AE501 SCALE: 1-1/2"=1'-0"
 AE120



16 TYP DUCT CURB DETAIL
 AE501 SCALE: 1-1/2"=1'-0"
 AE120

NOTE:
 CURB SIZES VARY BY WIDTH OF DUCT-COORD WITH SIZES SHOWN OR MH103.

