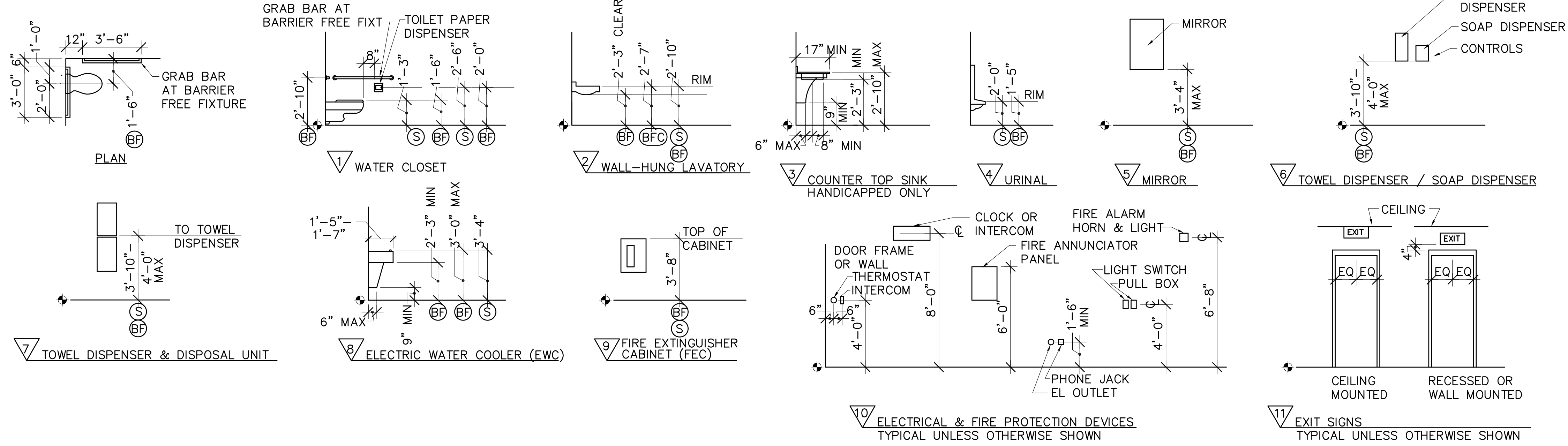


STANDARD MOUNTING HEIGHTS:
NOT TO SCALE



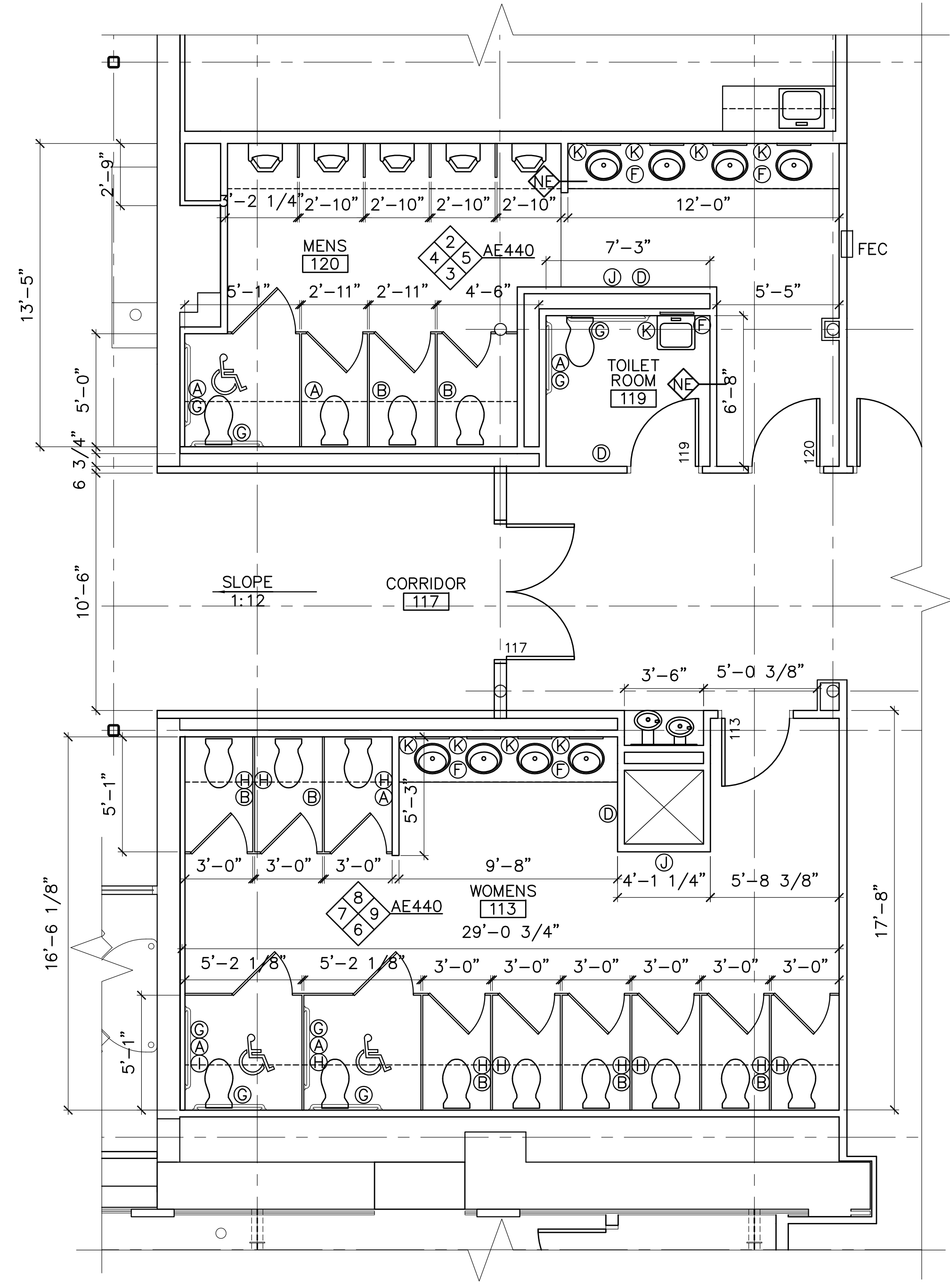
RESTROOM ACCESSORY SCHEDULE		
LTR	ITEM	NOTES
(A)	TOILET TISSUE DISPENSER	SURFACE MOUNTED
(B)	TOILET TISSUE DISPENSER	PARTITION MOUNTED—SERVING TWO
(C)	MOP & BROOM HOLDER W/SHELF	MOUNT 5'-6" AFF
(D)	PAPER TOWEL AND WASTE DISPENSER SEMI-RECESSED	
(E)	COAT HOOK	
(F)	SOAP DISPENSER	COUNTER MOUNTED, AUTOMATIC
(G)	GRAB BAR	SEE ADA PLAN FOR LENGTHS AND LOCATIONS
(H)	SANITARY NAPKIN DISPOSAL	PARTITION MOUNTED
(I)	SANITARY NAPKIN DISPOSAL	SURFACE MOUNTED
(J)	WARM AIR DRYER	SURFACE MOUNTED
(K)	WELDED FRAME 1'-6"x3'-0" MIRROR	MOUNTED ABOVE BACK SPLASH

ABBREVIATIONS
 PT DISP PAPER TOWEL DISPENSER
 WC WATER CLOSET
 EA EACH
 BF OR B BARRIER FREE
 VIF VERIFY IN FIELD

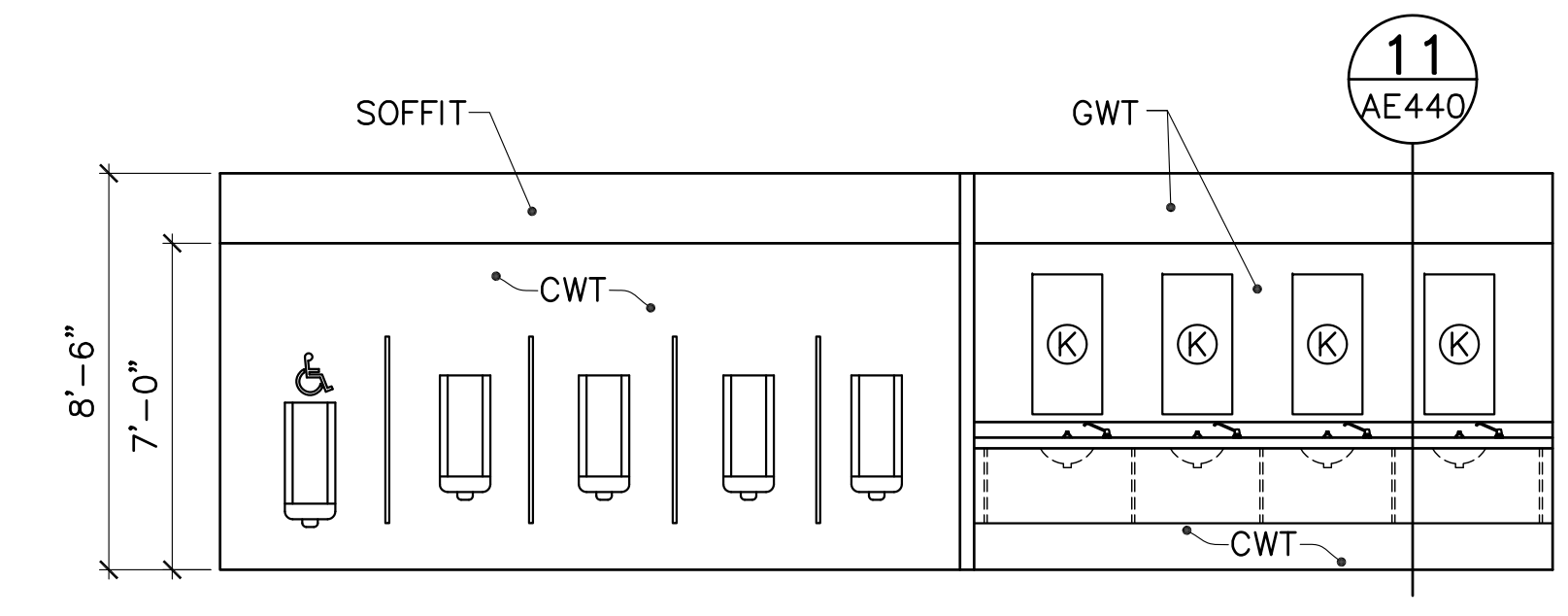
LEGEND
 (S) STANDARD MOUNTING HEIGHT
 (BF) BARRIER FREE ADULT MOUNTING HEIGHT
 (F) FINISH FLOOR LINE

NOTES FOR MOUNTING HEIGHTS
 1. MOUNT ALL FIXTURES AT STANDARD MOUNTING HEIGHT UNLESS INDICATED ON PLAN BY A (S) SYMBOL.
 A (BF) SYMBOL AT ANY FIXTURE SHALL INCLUDE ALL ACCESSORIES ASSOCIATED WITH THAT FIXTURE.
 2. REFER TO DRAWINGS & SPECIFICATIONS FOR TYPES OF FIXTURES THAT MAY APPLY TO THIS PROJECT.

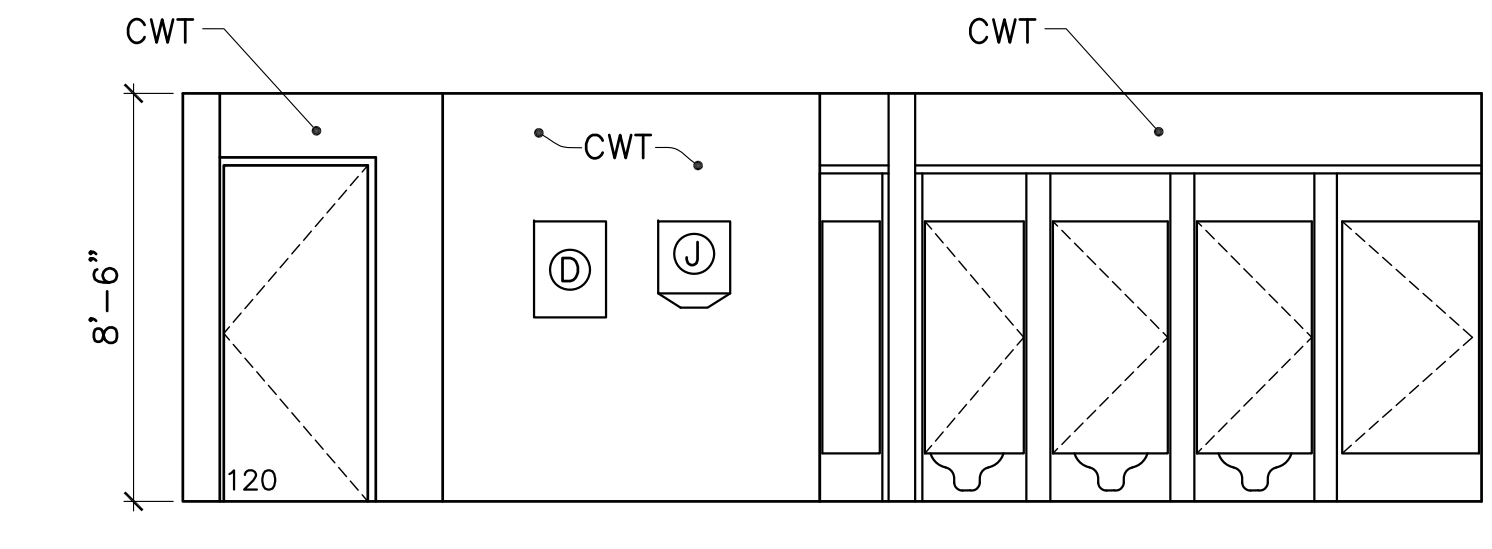
ACCESSORY SCHEDULE NOTE
 1. PROVIDE UNDER LAVATORY GUARDS UNDER ALL LAVATORIES WHERE ACCESS PANELS ARE NOT PROVIDED.



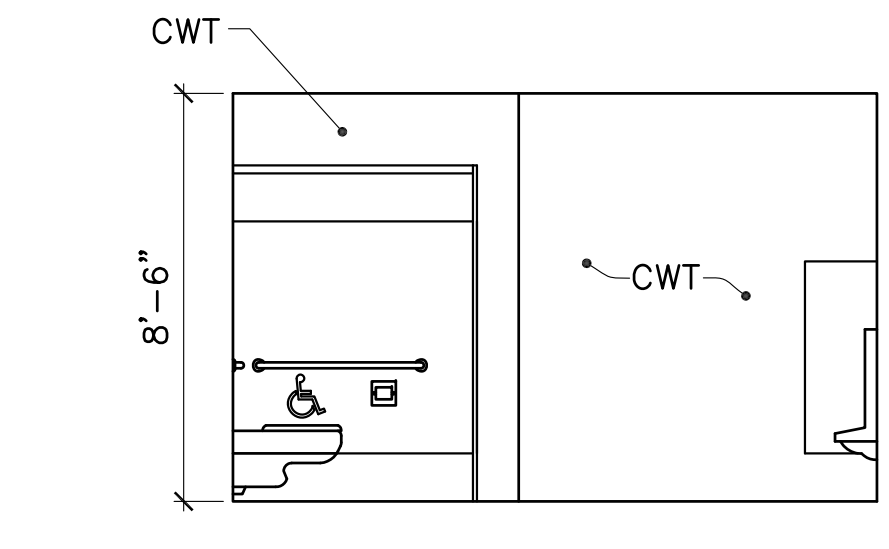
1 ENLARGED TOILET ROOMS 123 AND 113 PLAN
 AE440 SCALE: 1/4"=1'-0" (TOILET ROOM 214 AND 219 SIM)



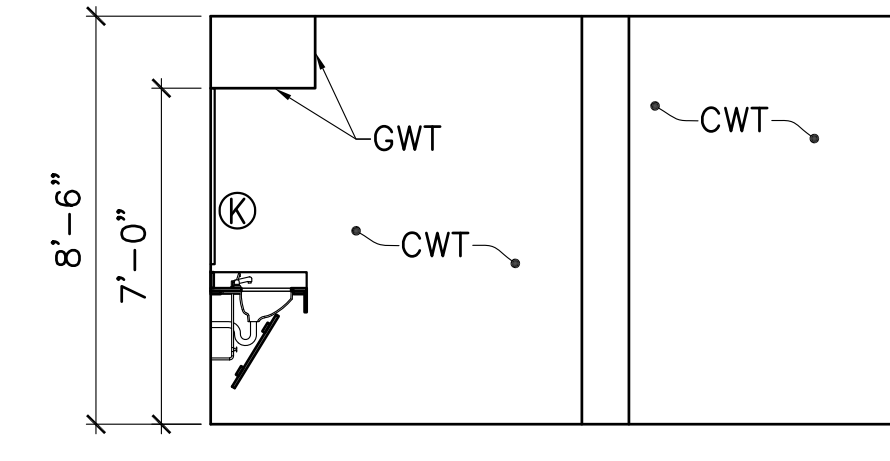
2 MEN'S ROOM 120 ELEVATION
 AE440 SCALE: 1/4"=1'-0"



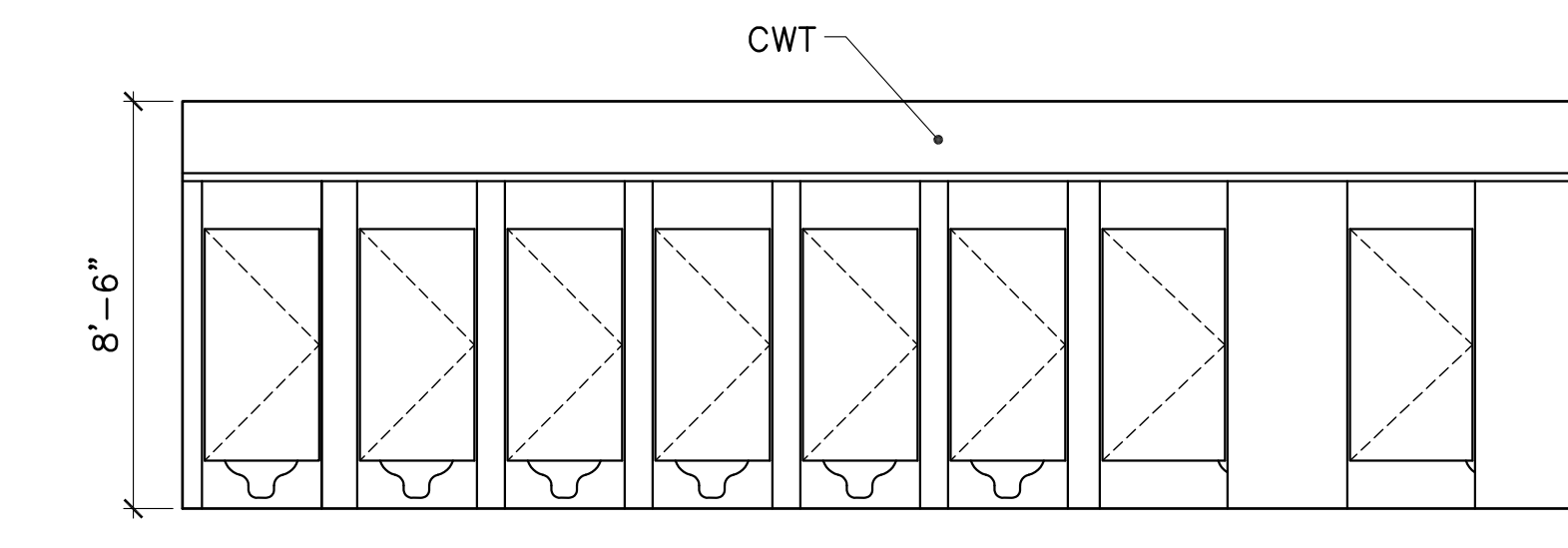
3 MEN'S ROOM 120 ELEVATION
 AE440 SCALE: 1/4"=1'-0"



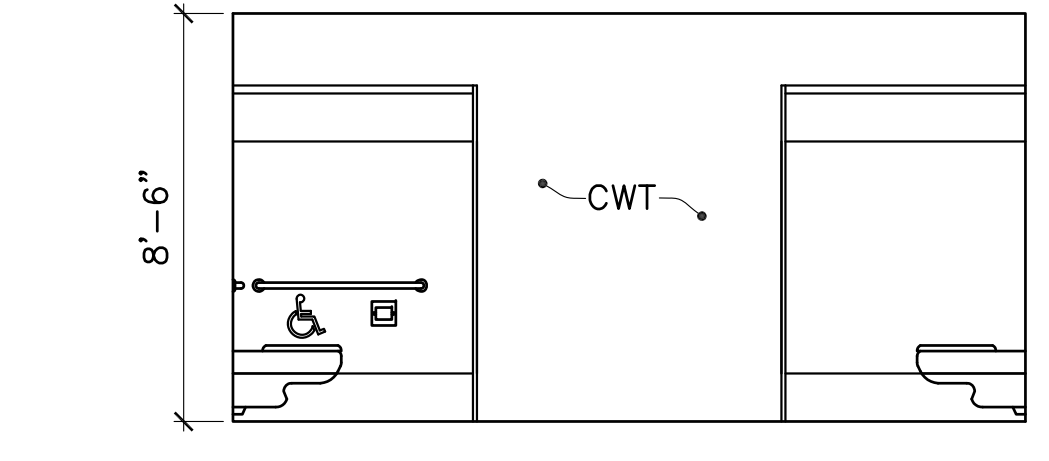
4 MEN'S ROOM 120 ELEVATION
 AE440 SCALE: 1/4"=1'-0"



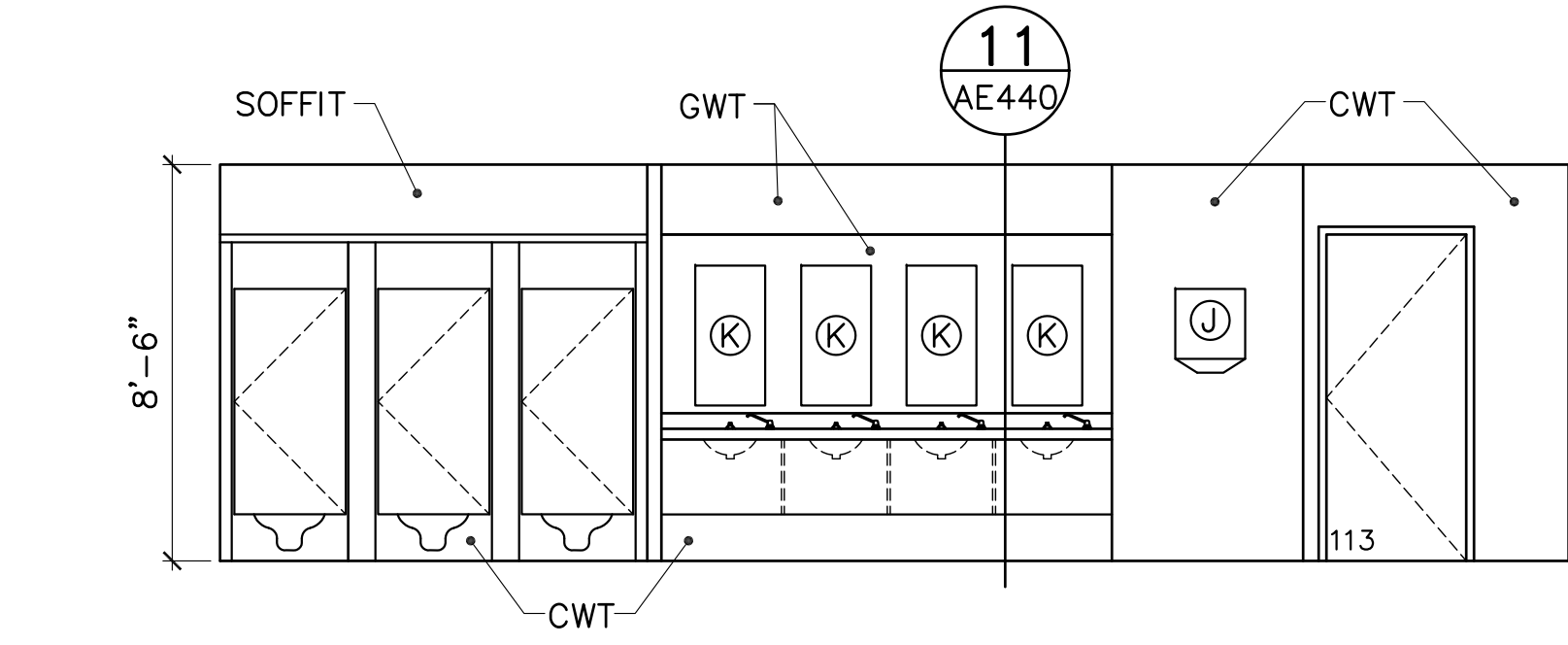
5 MEN'S ROOM 120 ELEVATION
 AE440 SCALE: 1/4"=1'-0"



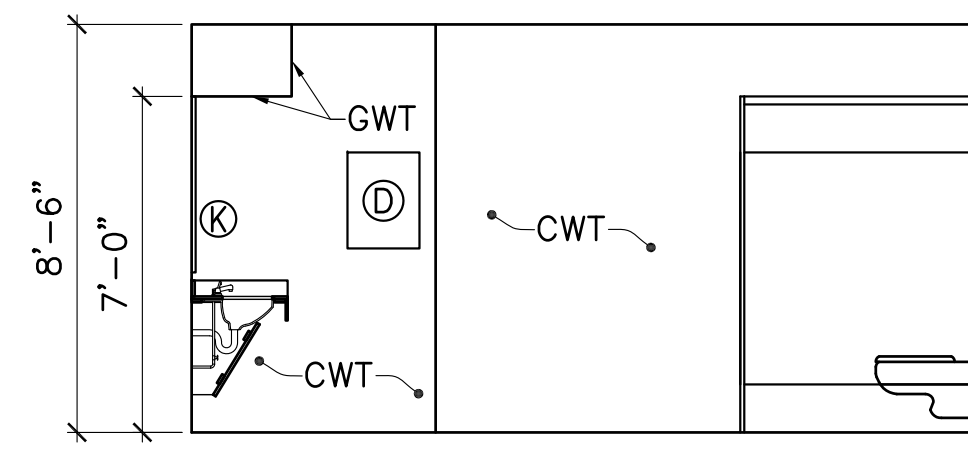
6 WOMEN'S ROOM 113 ELEVATION
 AE440 SCALE: 1/4"=1'-0"



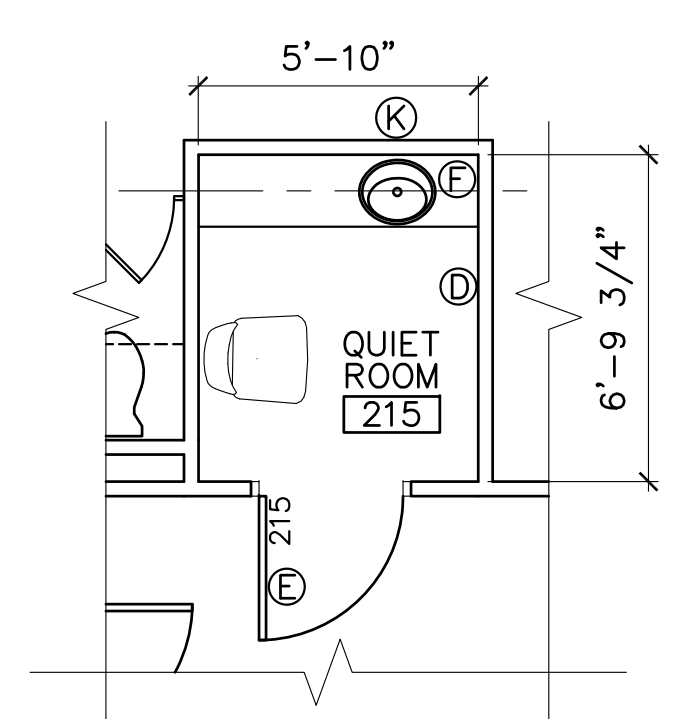
7 WOMEN'S ROOM 113 ELEVATION
 AE440 SCALE: 1/4"=1'-0"



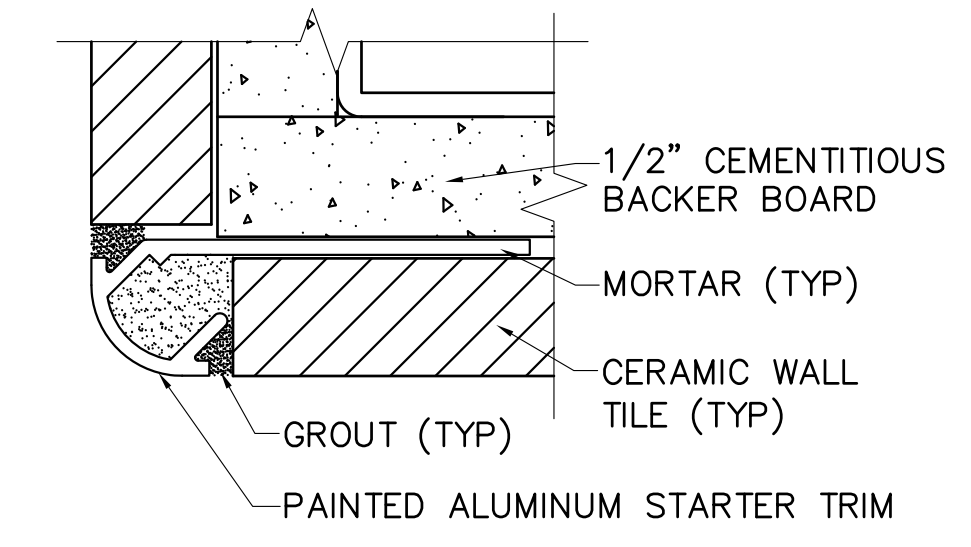
8 WOMEN'S ROOM 113 ELEVATION
 AE440 SCALE: 1/4"=1'-0"



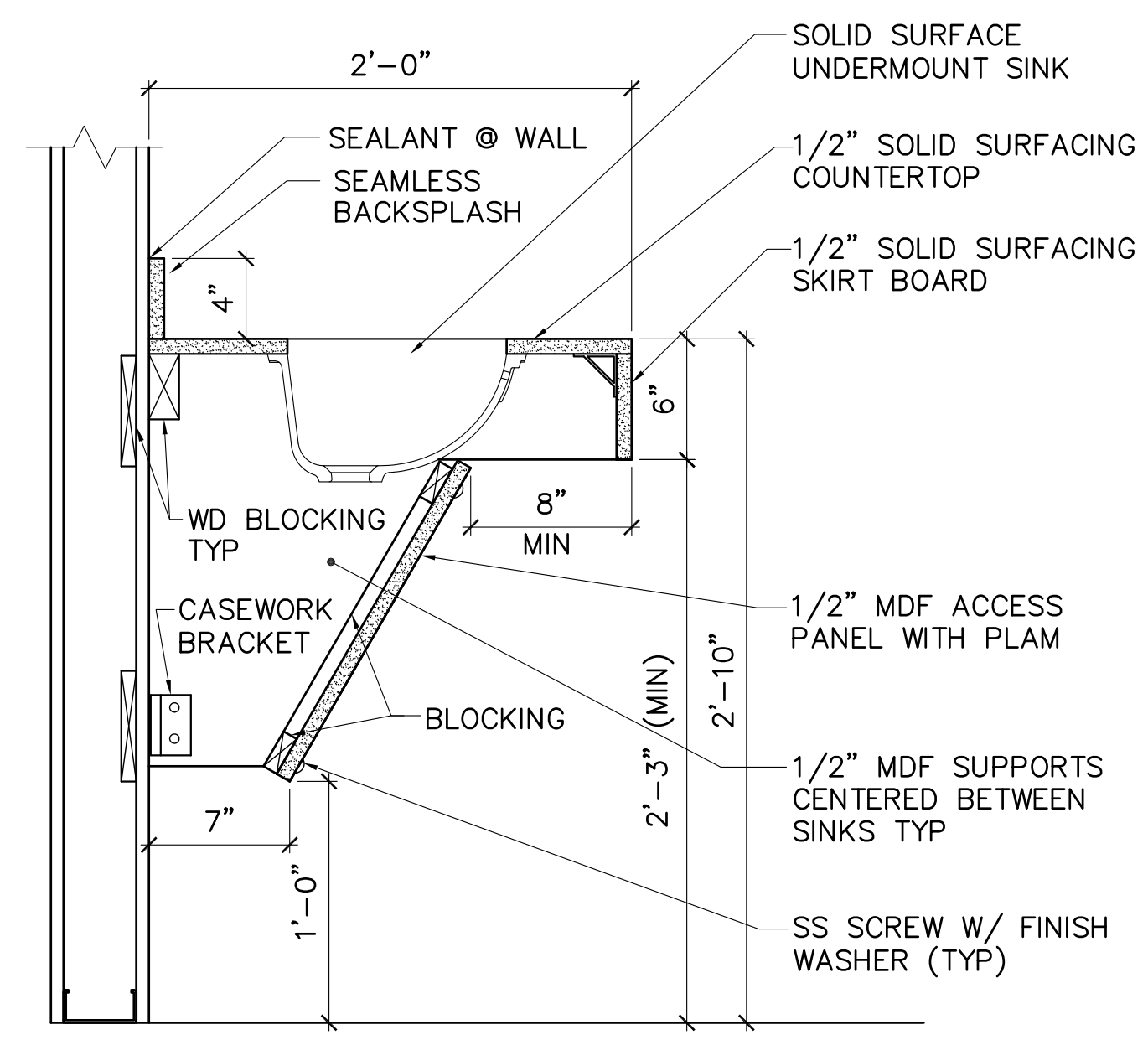
9 WOMEN'S ROOM 113 ELEVATION
 AE440 SCALE: 1/4"=1'-0"



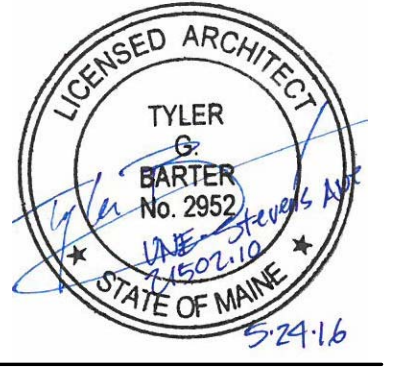
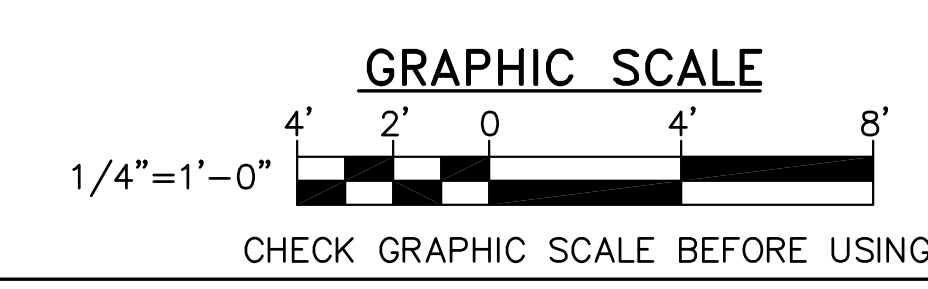
12 QUIET ROOM 215
 AE440 SCALE: 1/4"=1'-0"



10 TILE STARTER TRIM DETAIL
 AE440 NOT TO SCALE
 NOTE: USE ON ALL OUTSIDE CORNERS



11 SECTION @ TOILET ROOM COUNTERTOP
 AE440 SCALE: 1-1/2"=1'-0"



DESIGNED BY: TGB
 DRAWN BY: TGB
 CHECKED BY: TGB
 PROJECT: 21502.10

UNIVERSITY OF NEW ENGLAND
 PORTLAND CAMPUS
 STEVEN AVENUE ARMORY
 716 STEVENS AVE
 PORTLAND, MAINE 04103
 (1) 207 285-0171

RENOVATIONS TO THE
 STEVENS AVENUE ARMORY

ENLARGED TOILET ROOM FLOOR PLANS AND ELEVATIONS

SCALE: AS NOTED
 DATE: 05-24-16

DWG. AE440
 SHEET: 77 OF 169