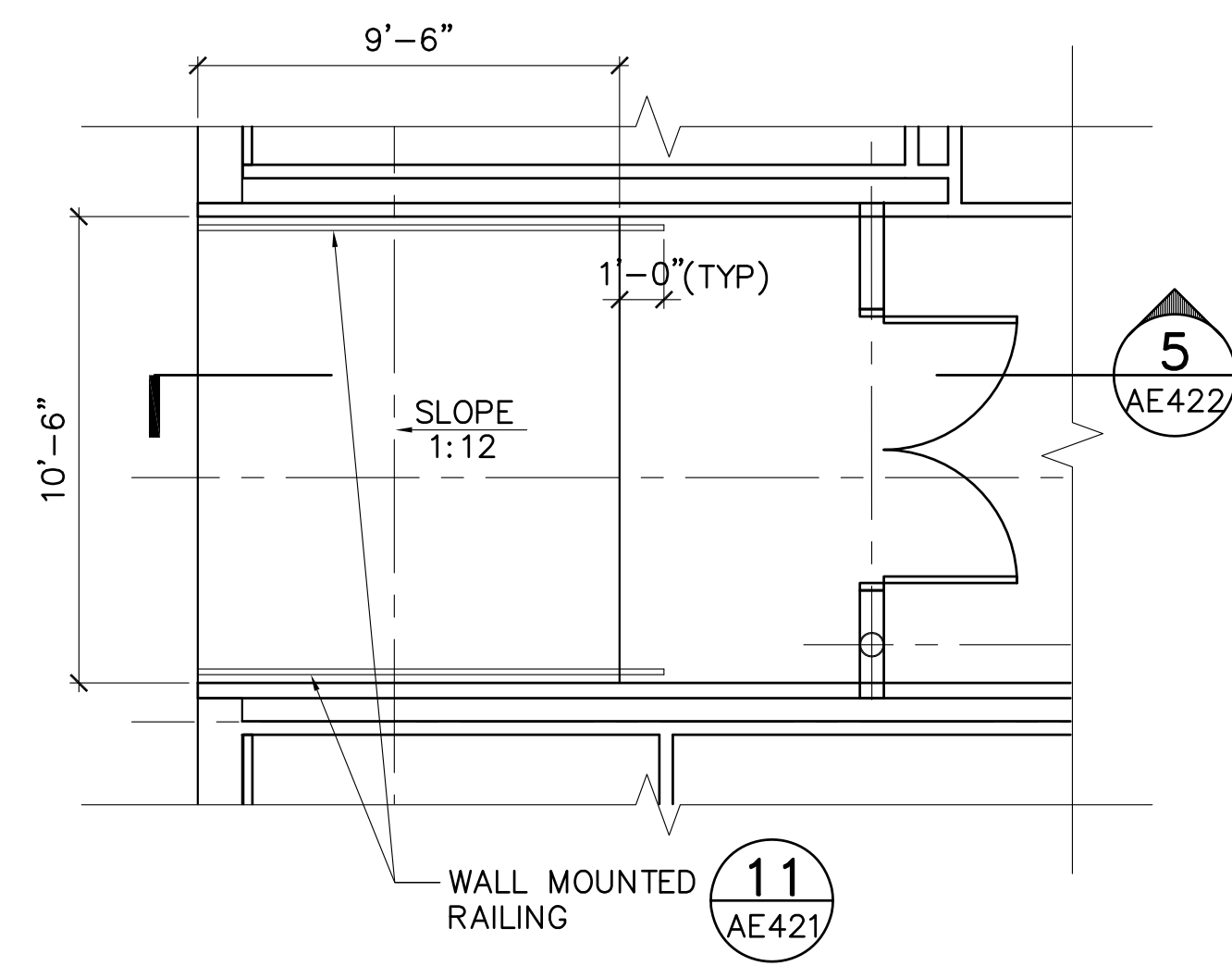
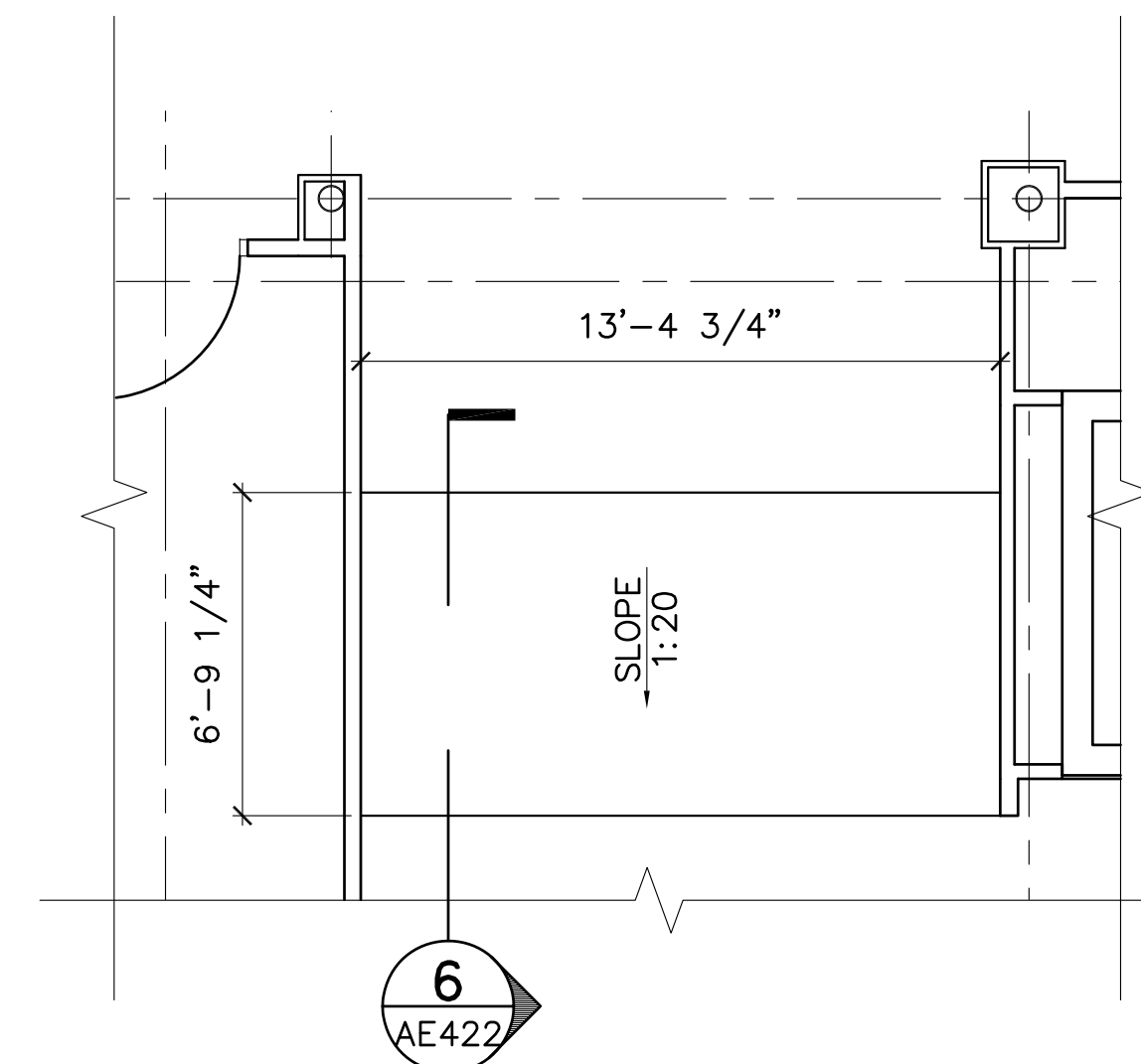


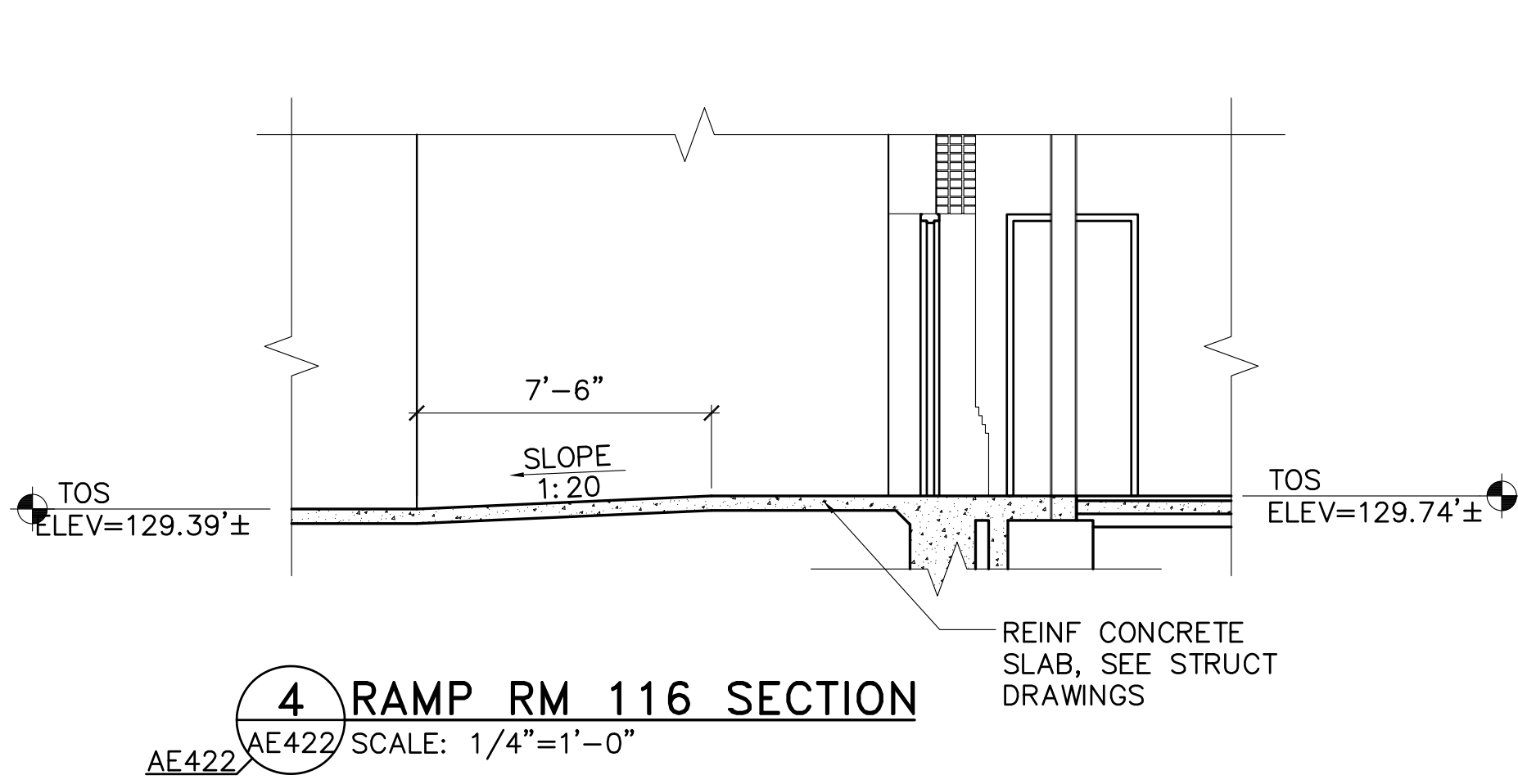
1 FIRST FLOOR RAMP RM 116
 AE101/AE422 SCALE: 1/4"=1'-0"



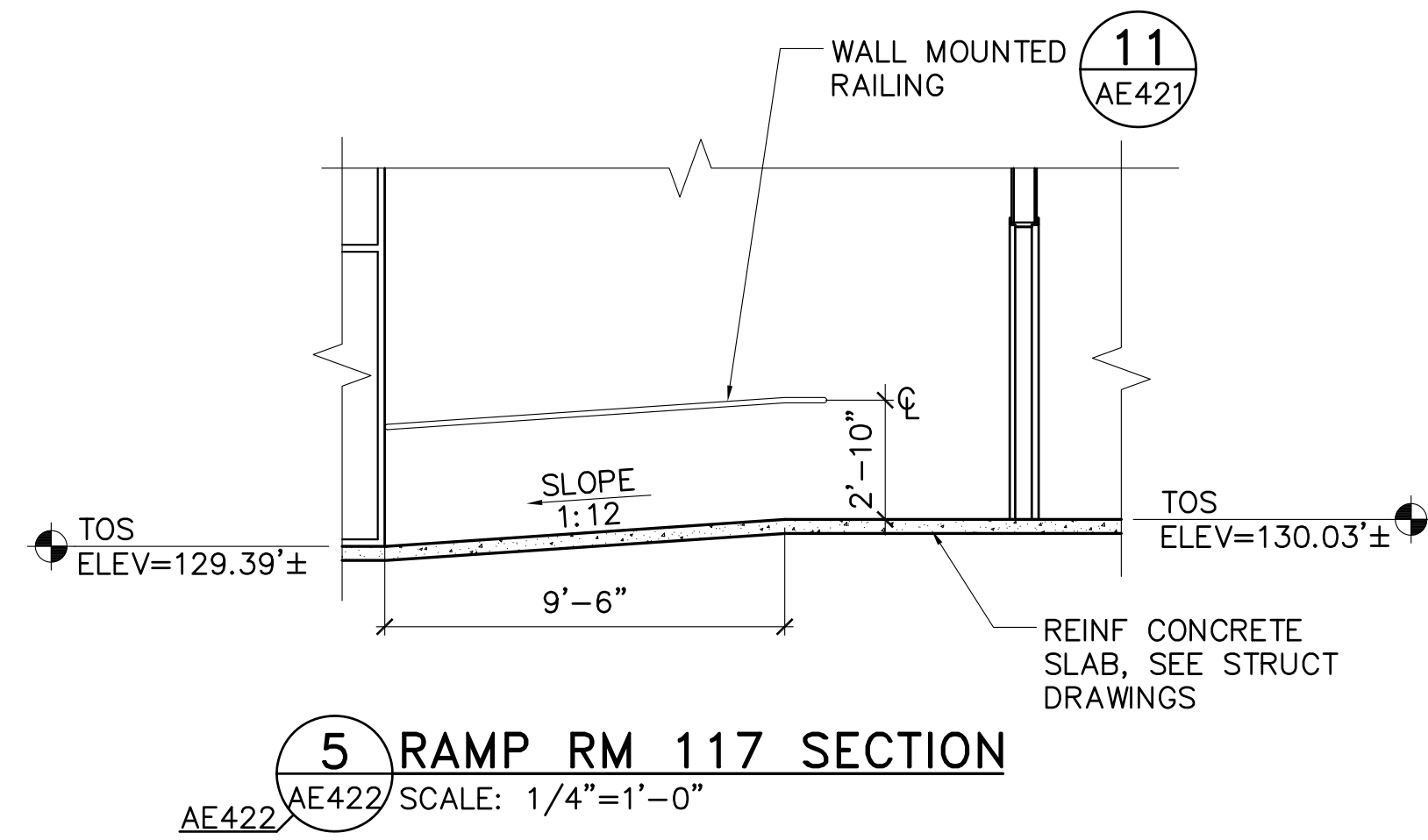
2 FIRST FLOOR RAMP RM 117
 AE101/AE422 SCALE: 1/4"=1'-0"



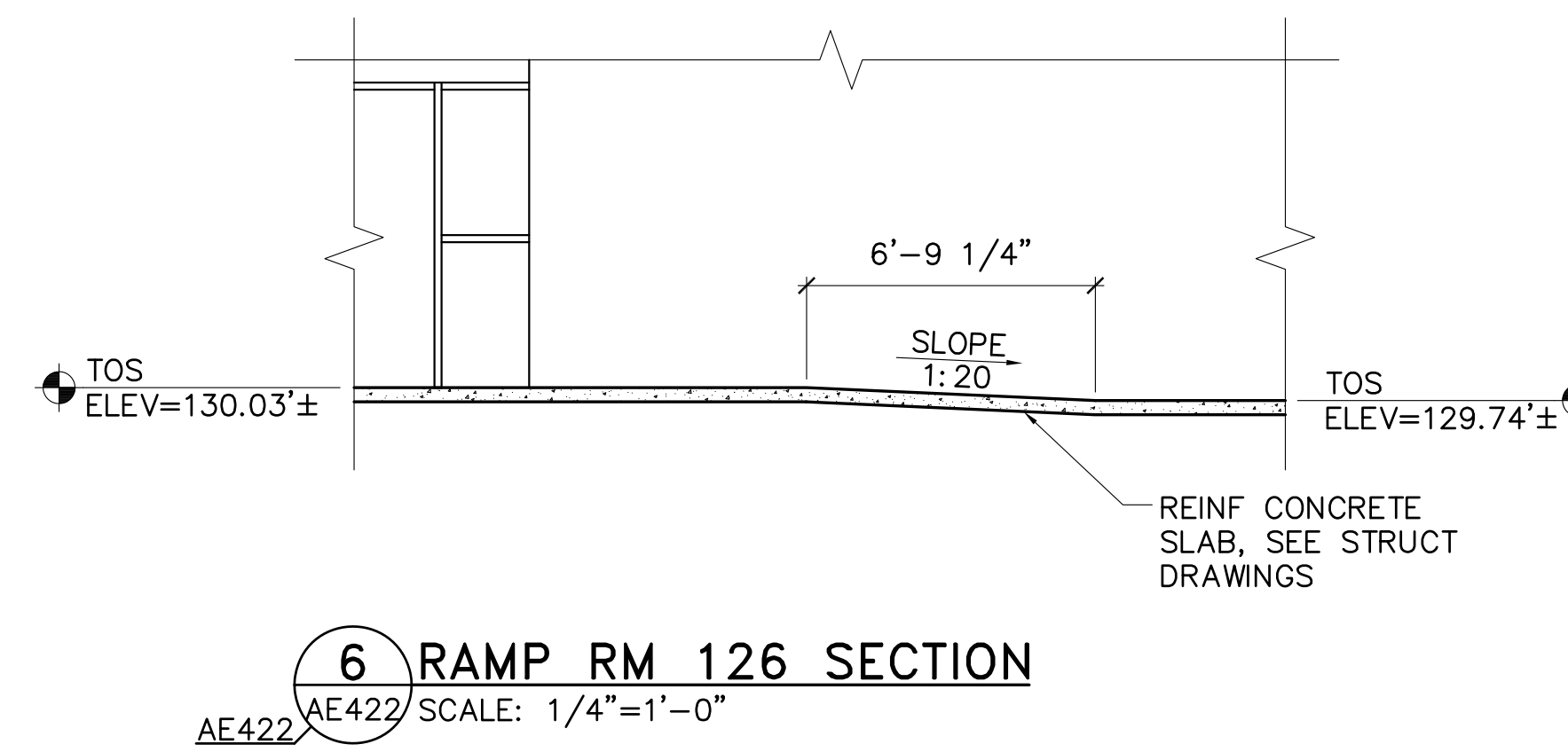
3 FIRST FLOOR RAMP RM 126
 AE101/AE422 SCALE: 1/4"=1'-0"



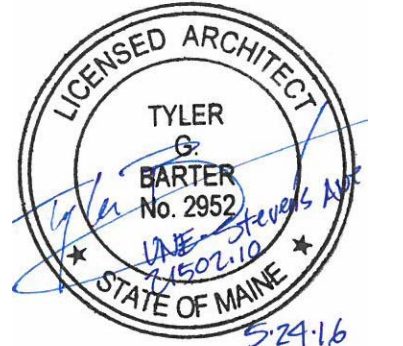
4 RAMP RM 116 SECTION
 AE422 SCALE: 1/4"=1'-0"



5 RAMP RM 117 SECTION
 AE422 SCALE: 1/4"=1'-0"



6 RAMP RM 126 SECTION
 AE422 SCALE: 1/4"=1'-0"



DESIGNED BY: TGB
 DRAWN BY: TGB
 CHECKED BY: TGB
 PROJECT: 21602.10

**UNIVERSITY OF NEW ENGLAND
 PORTLAND CAMPUS**
 STEVEN AVENUE ARMORY
 716 STEVENS AVE
 PORTLAND, MAINE 04103
 (1) 207-285-0171

**RENOVATIONS TO THE
 STEVENS AVENUE ARMORY**

**ENLARGED
 RAMP PLANS
 AND SECTIONS**

SCALE: AS NOTED
 DATE: 05-24-16

DWG. **AE422**

SHEET: **76** OF 169

