

DESIGNED BY: TGB  
 DRAWN BY: TGB  
 CHECKED BY: TGB  
 PROJECT: 21502.10

UNIVERSITY OF NEW ENGLAND  
 PORTLAND CAMPUS  
 STEVEN AVENUE ARMORY  
 716 STEVENS AVE  
 PORTLAND, MAINE 04103  
 1(207)285-0171

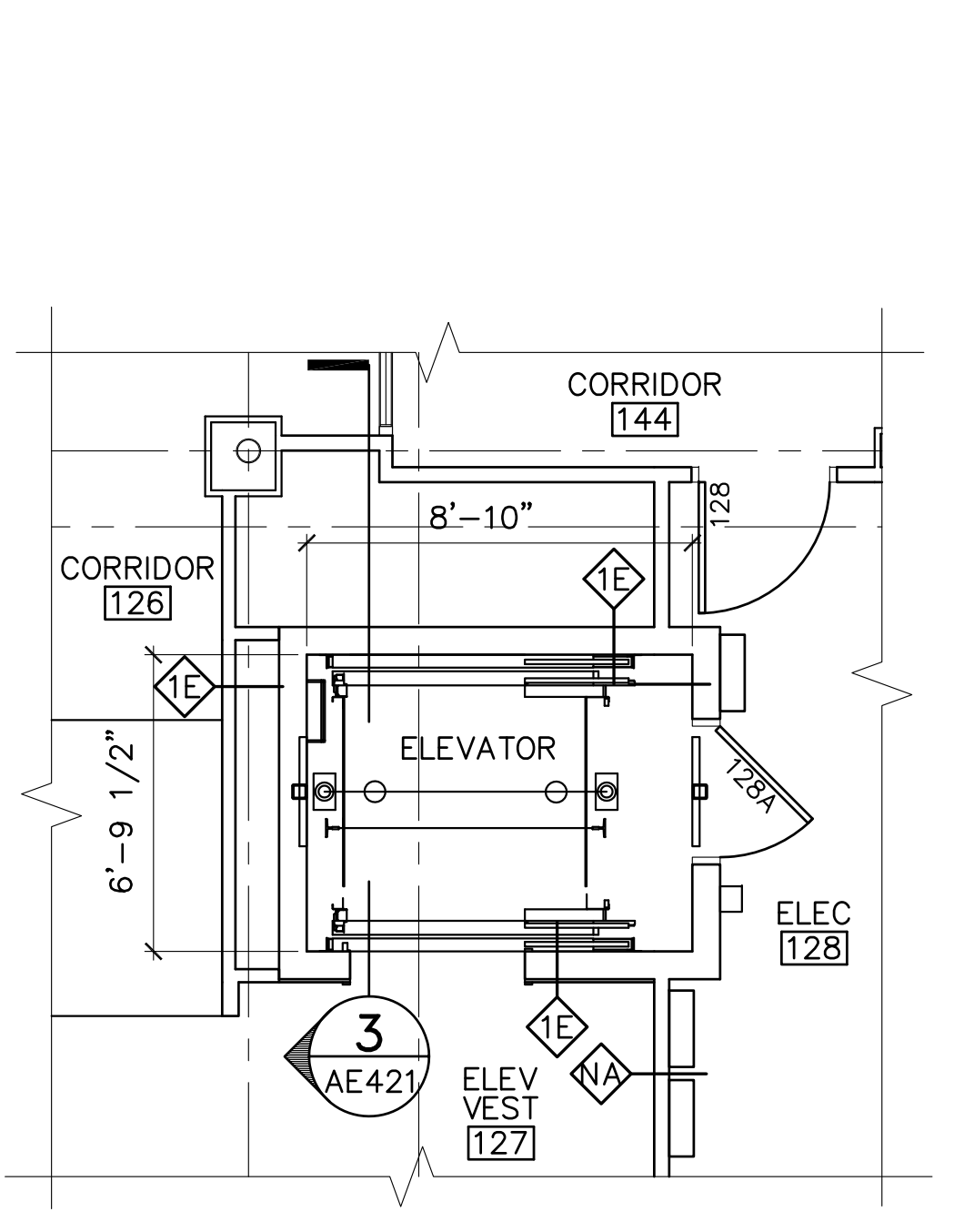
RENOVATIONS TO THE  
 STEVENS AVENUE ARMORY

ELEVATOR PLANS, SECTIONS AND DETAILS

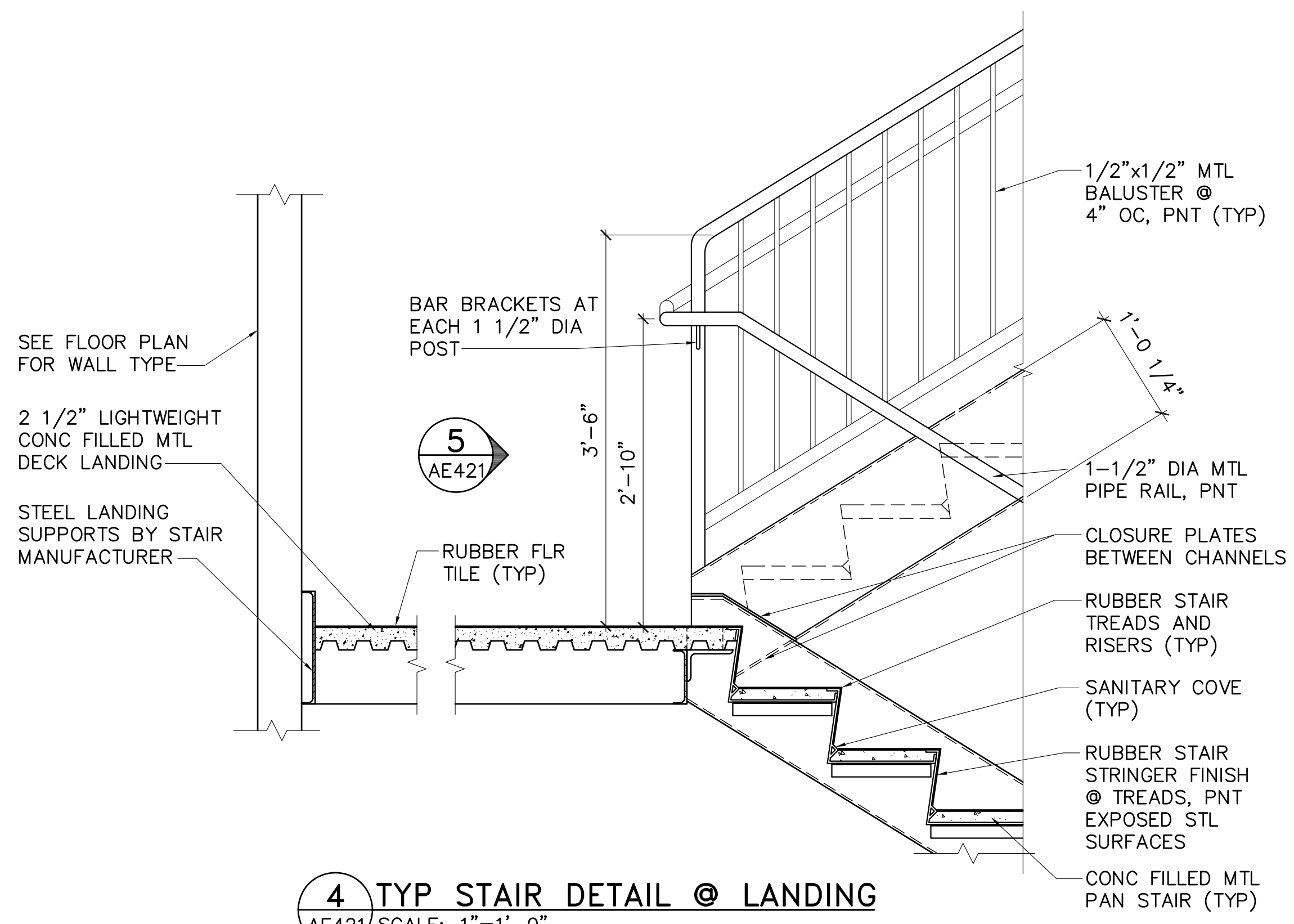
SCALE: AS NOTED  
 DATE: 05-24-16

DWG. AE421

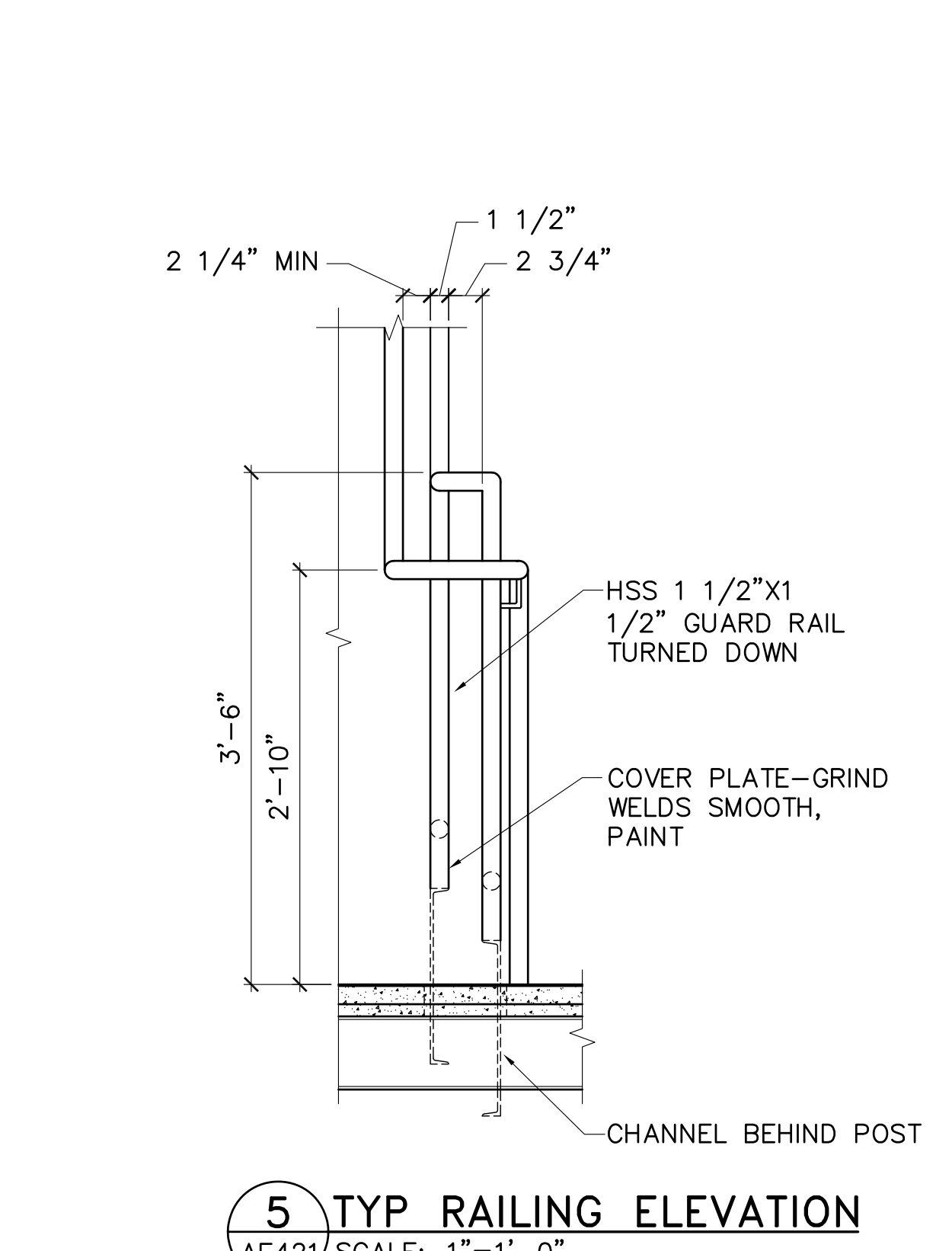
SHEET: 75 OF 169



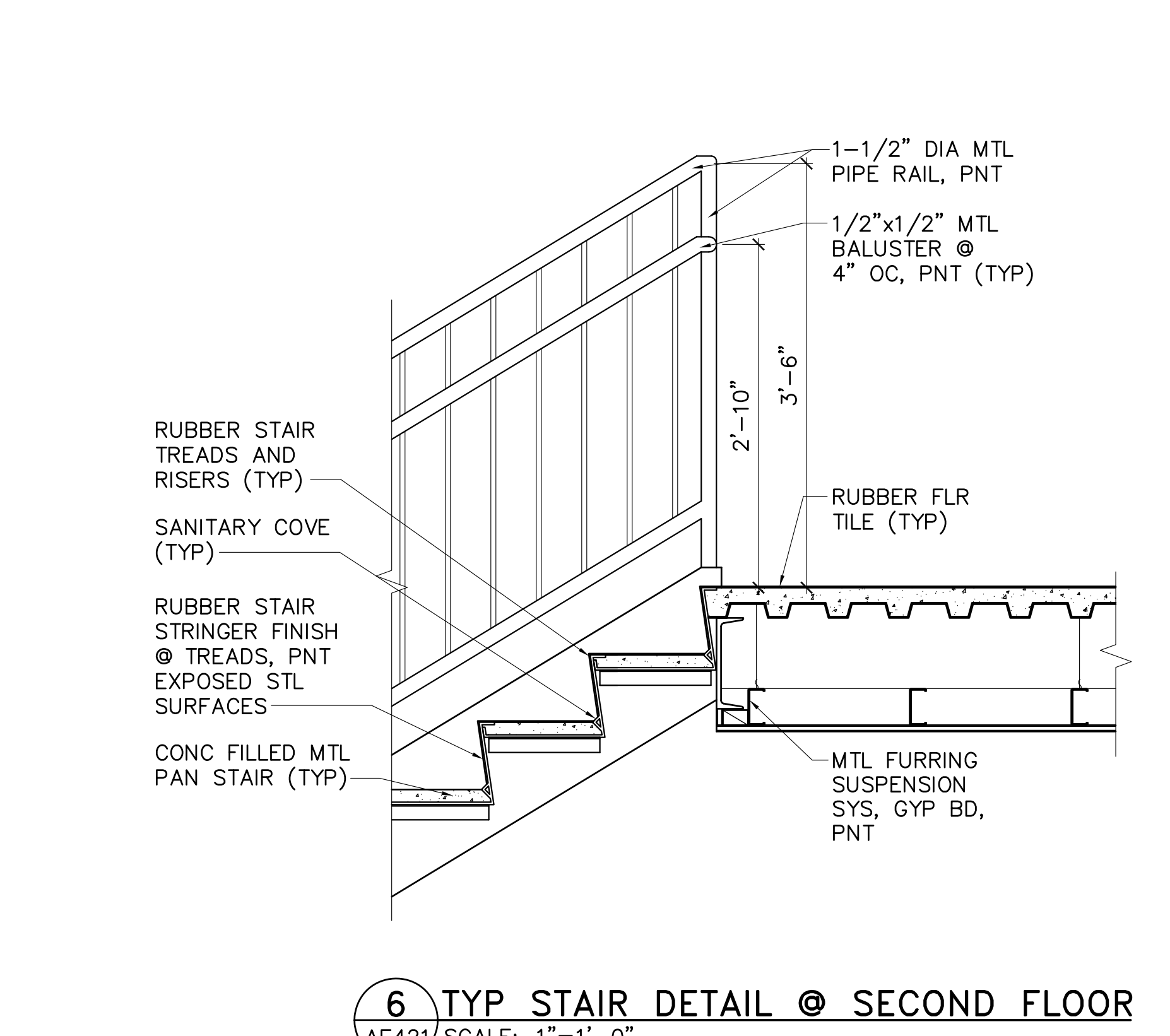
1 ELEVATOR FIRST FLOOR PART PLAN  
 AE101/AE421 SCALE: 1/4"=1'-0"



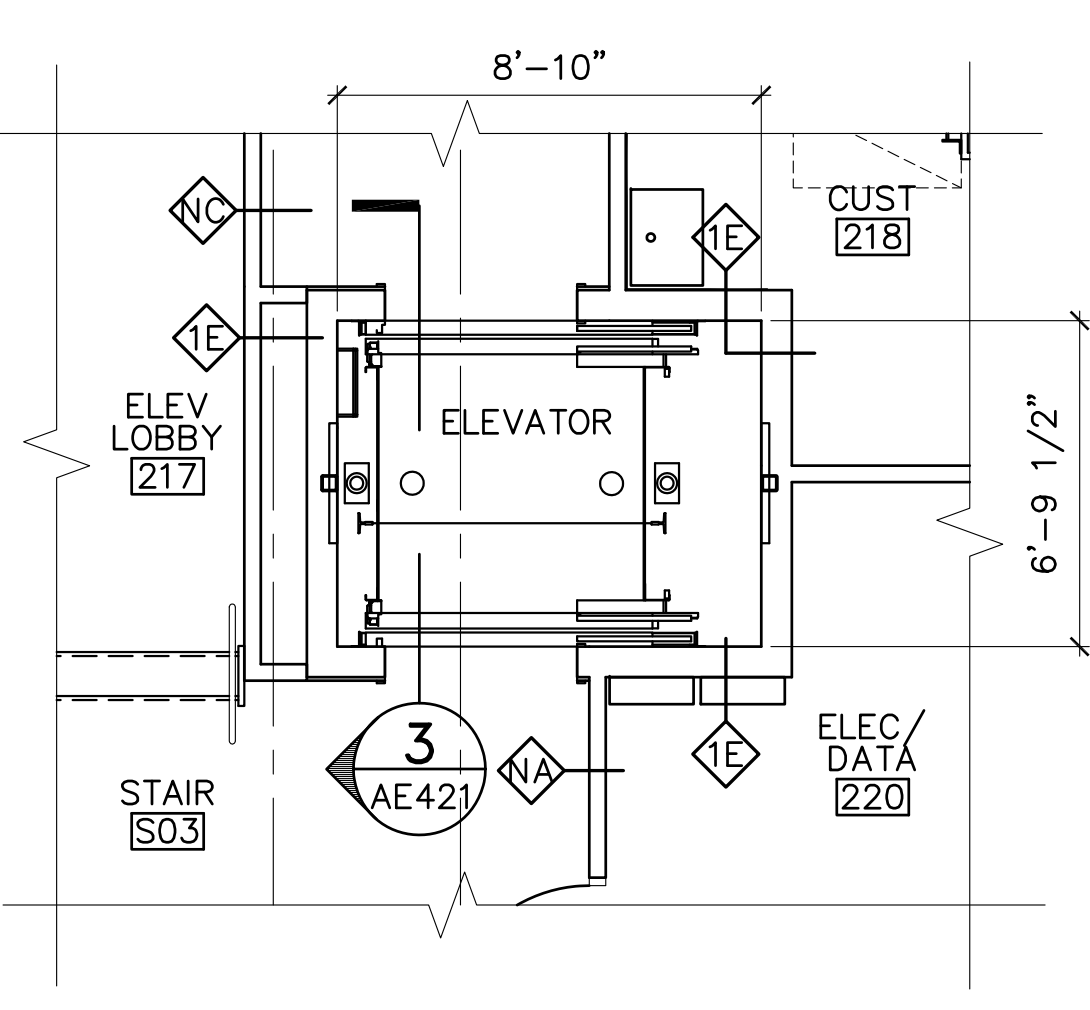
4 TYP STAIR DETAIL @ LANDING  
 AE420/AE421 SCALE: 1"=1'-0"



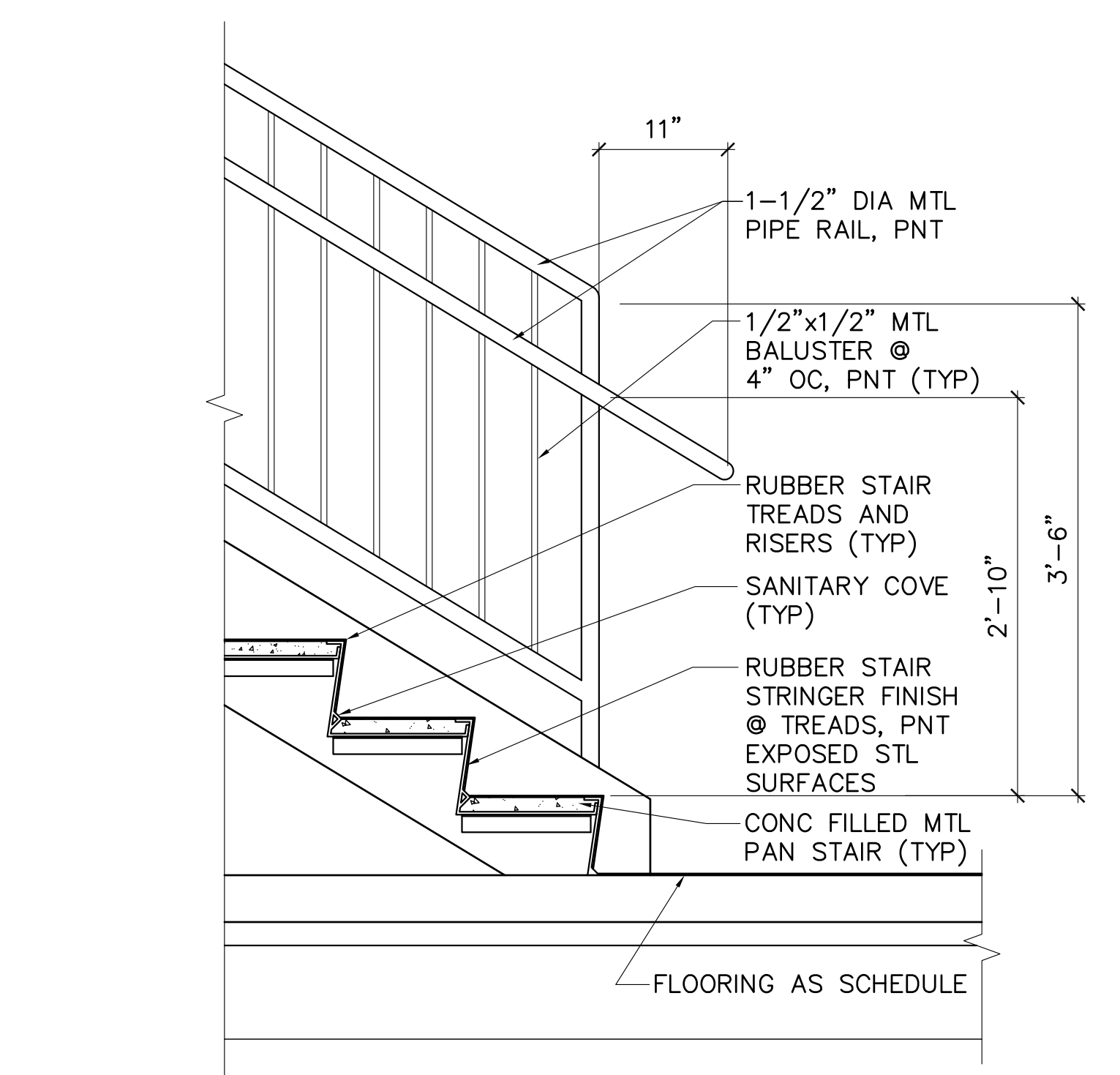
5 TYP RAILING ELEVATION  
 AE420, AE421/AE421 SCALE: 1"=1'-0"



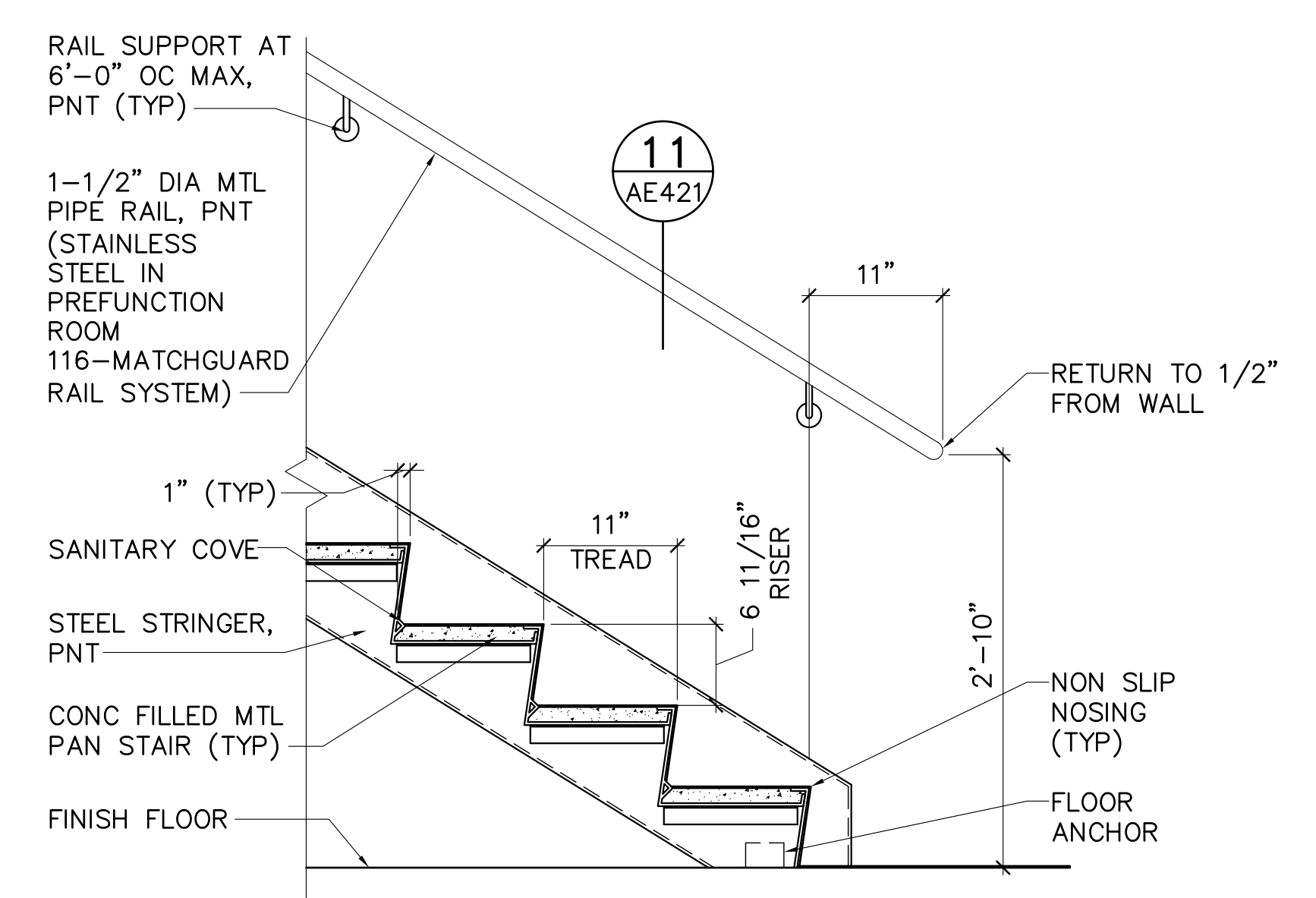
6 TYP STAIR DETAIL @ SECOND FLOOR  
 AE420/AE421 SCALE: 1"=1'-0"



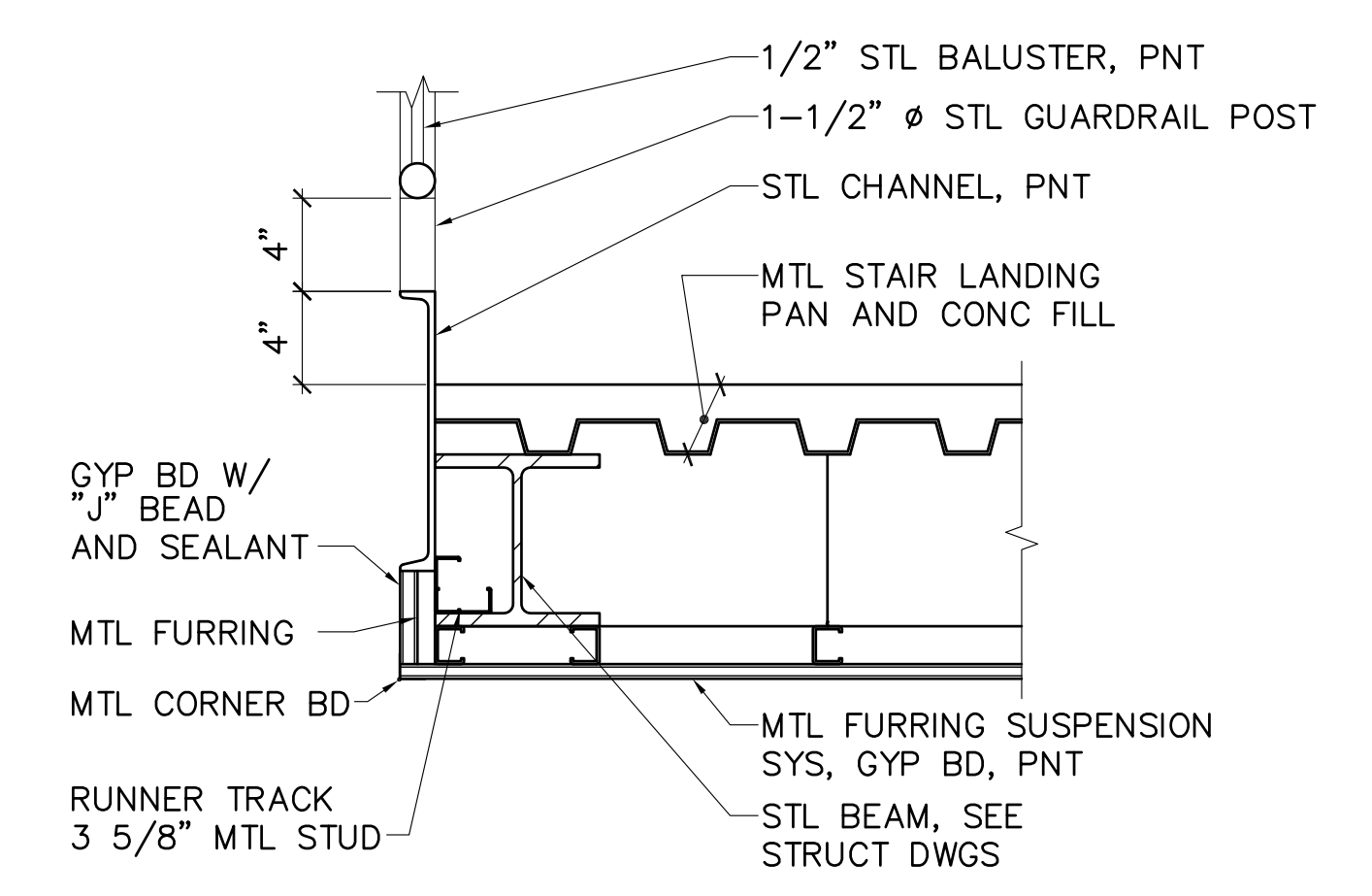
2 ELEVATOR SECOND FLOOR PART PLAN  
 AE103/AE421 SCALE: 1/4"=1'-0"



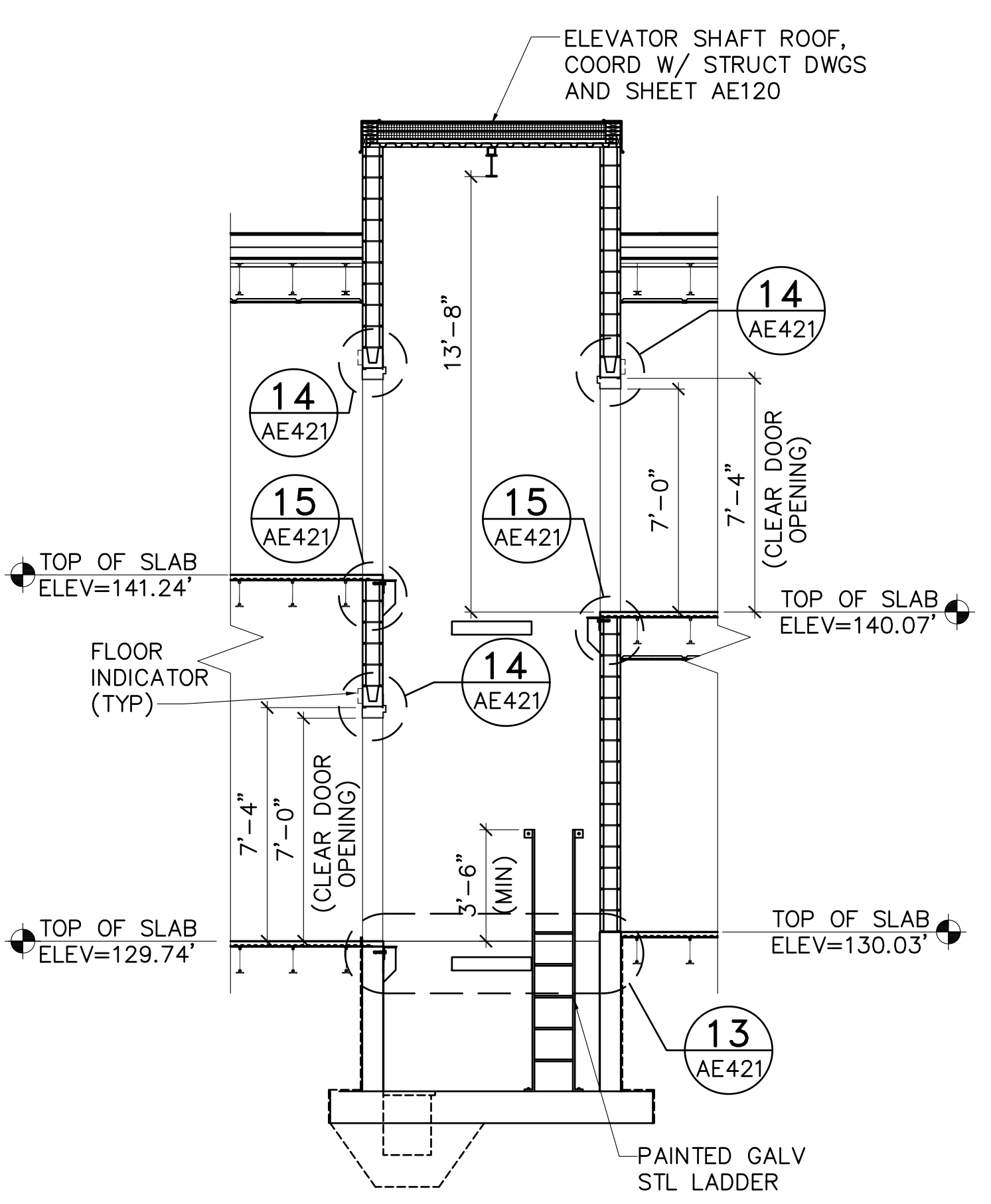
7 TYP STAIR DETAIL @ FIRST FLOOR  
 AE420/AE421 SCALE: 1"=1'-0"



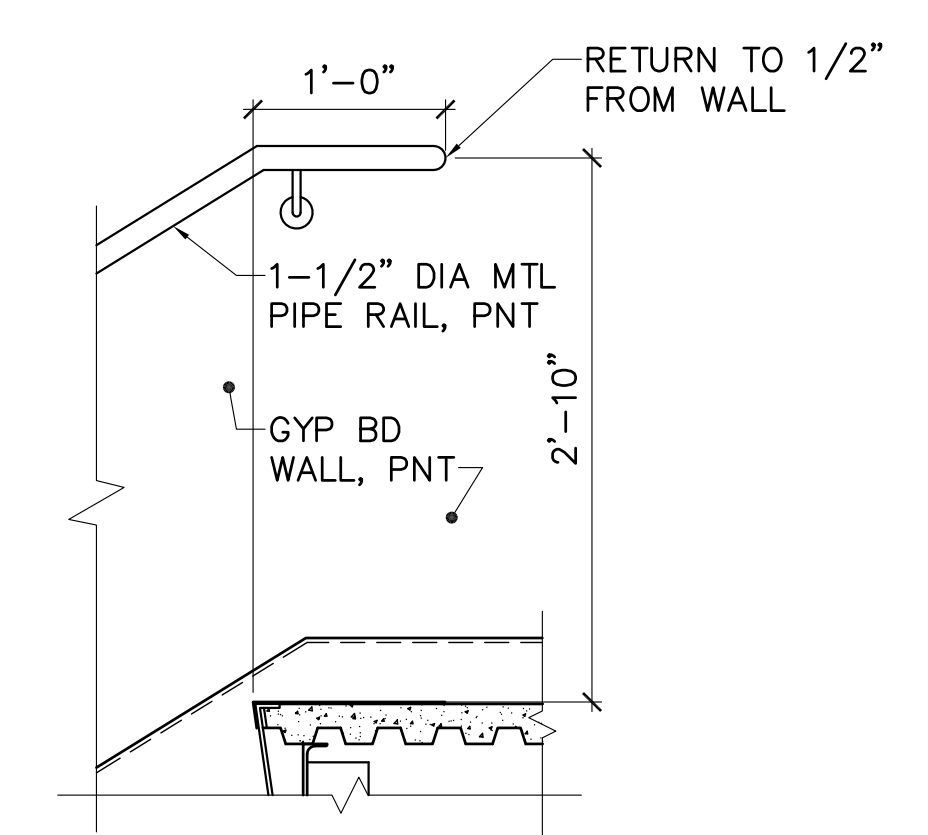
8 TYPICAL STAIR DETAIL  
 AE420/AE421 SCALE: 1"=1'-0"



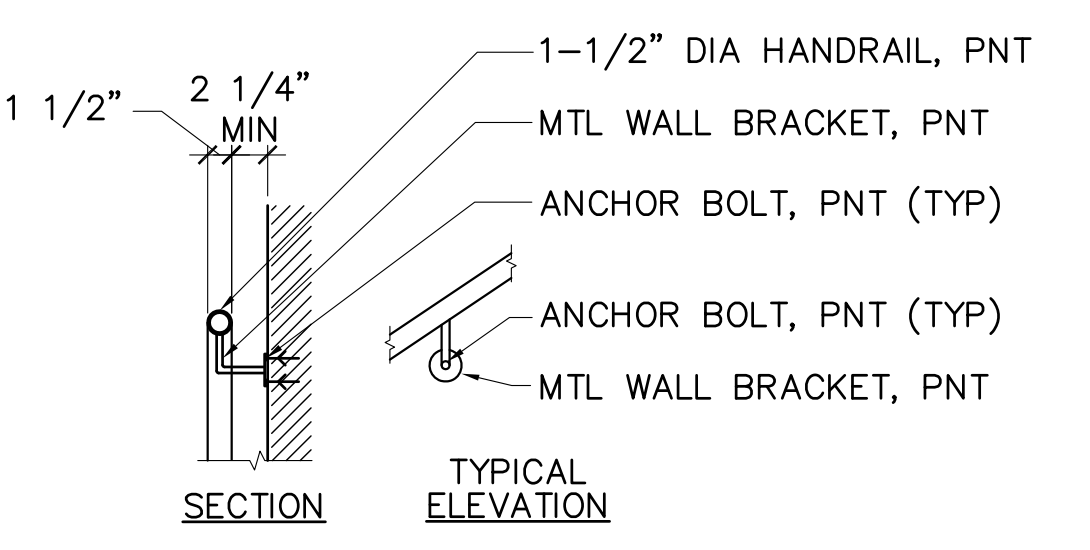
9 LANDING EDGE DETAIL  
 AE420/AE421 SCALE: 1-1/2"=1'-0"



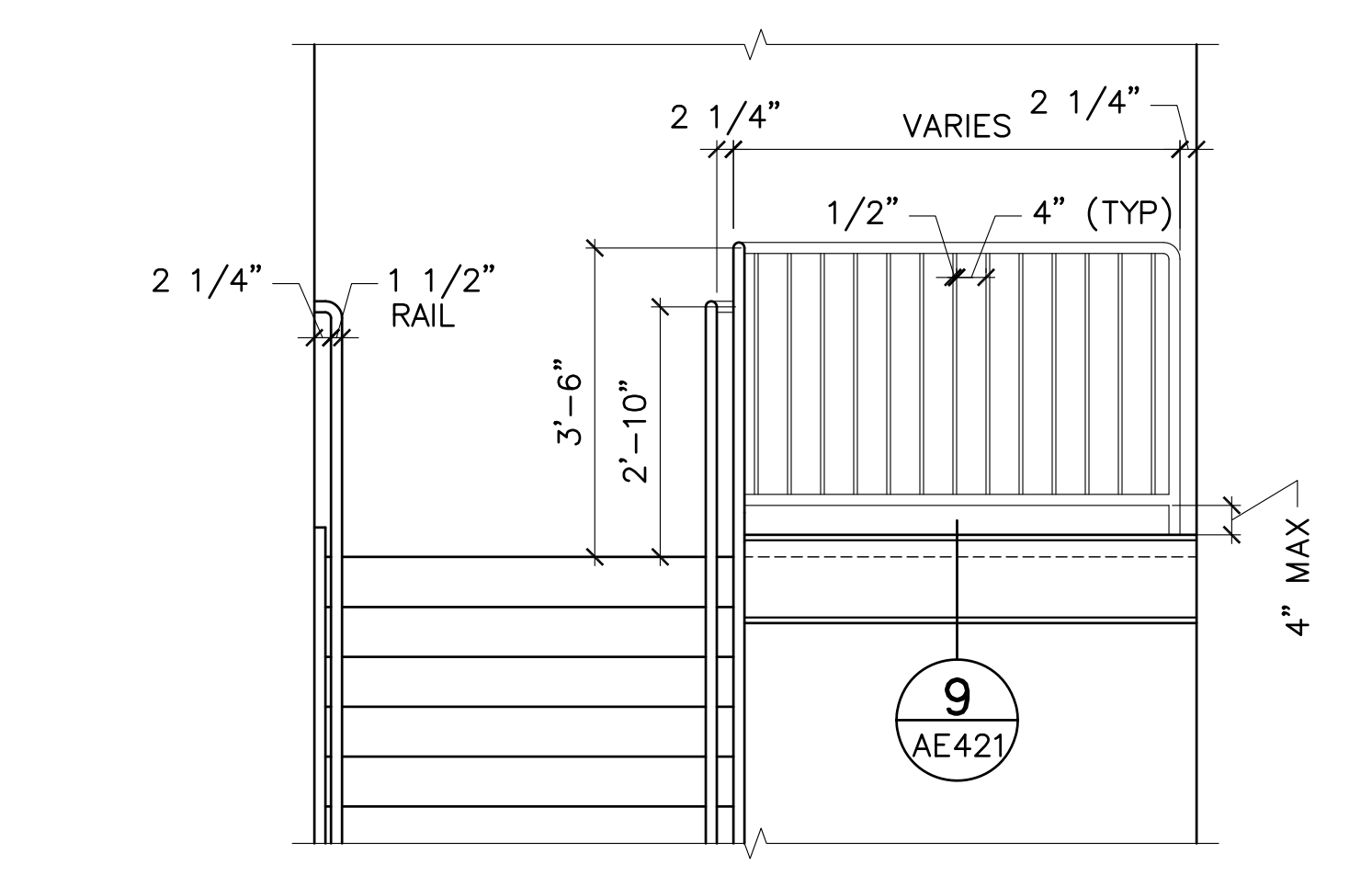
3 ELEVATOR SHAFT SECTION  
 AE421 SCALE: 1/4"=1'-0"



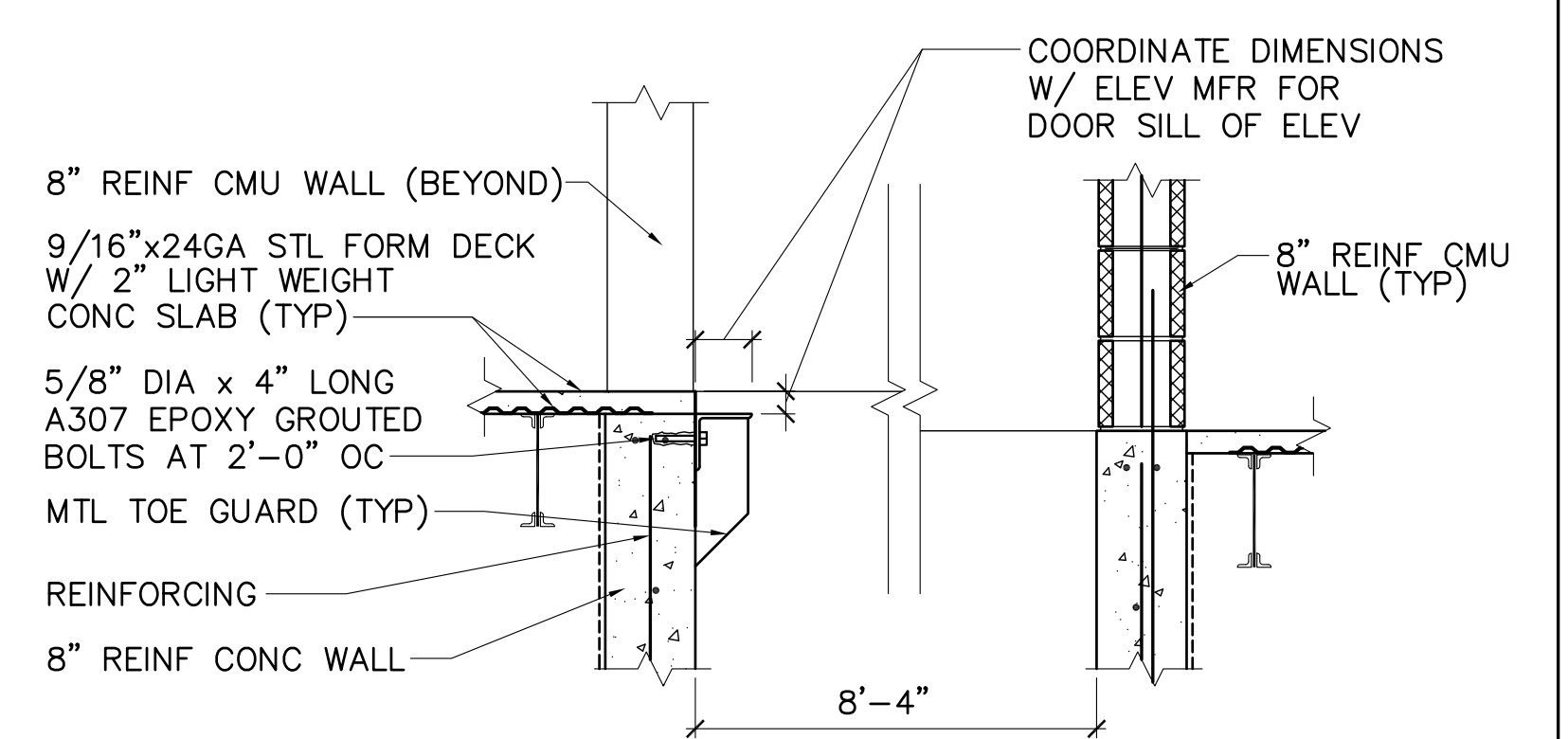
10 TYPICAL HANDRAIL DETAIL  
 AE420/AE421 SCALE: 1"=1'-0"



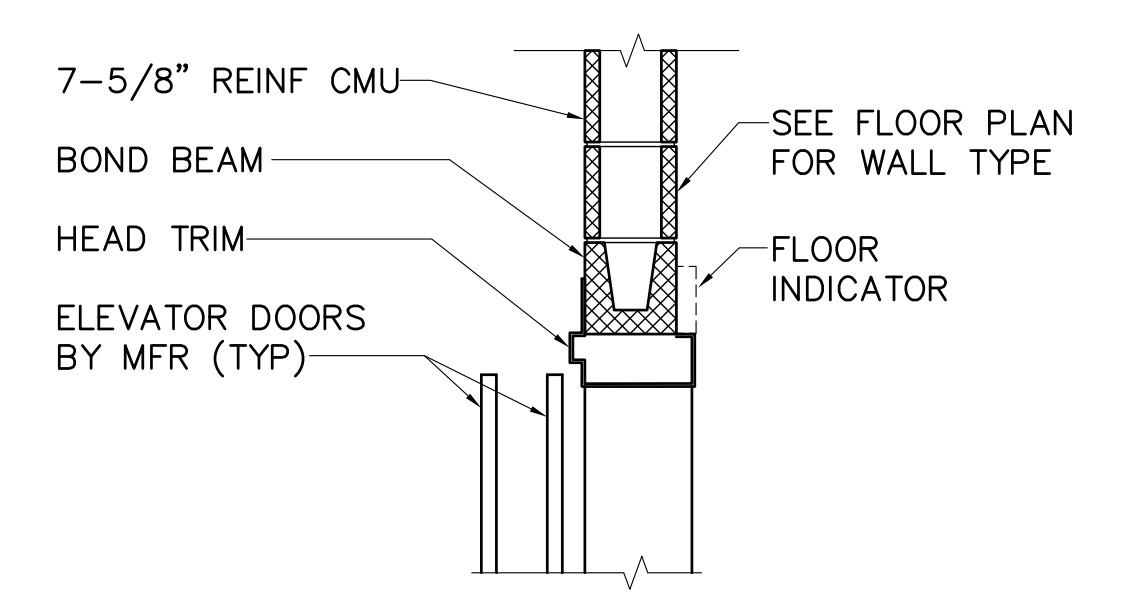
11 TYPICAL RAILING DETAIL  
 AE421 SCALE: 1"=1'-0"



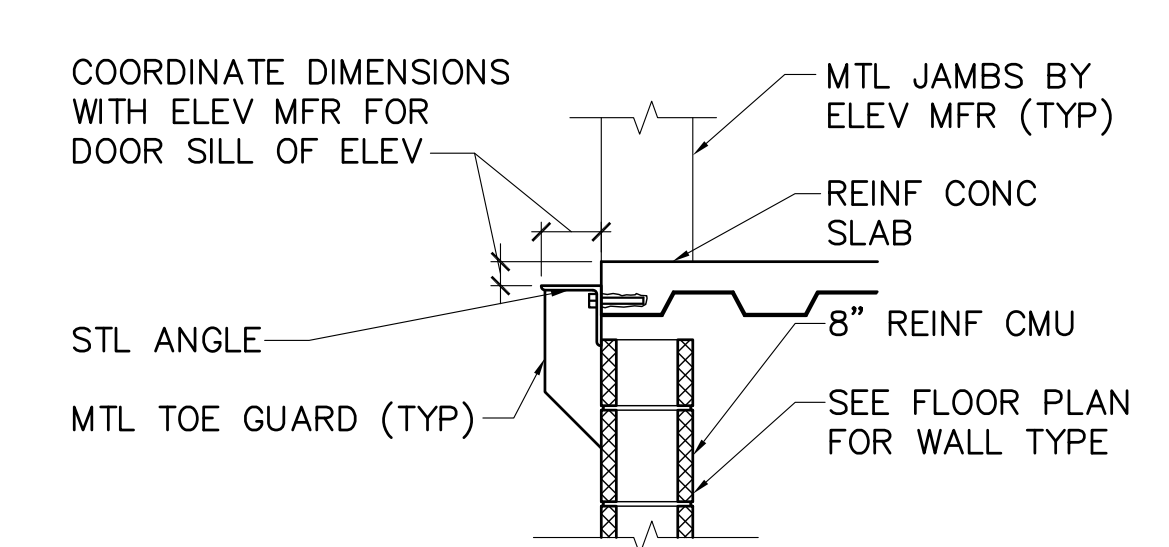
12 TYPICAL STAIR DETAIL @ TOP LANDING  
 AE420/AE421 SCALE: 1/2"=1'-0"



13 ELEVATOR SILL DETAIL  
 AE421 SCALE: 3/4"=1'-0"



14 LINTEL DETAIL  
 AE421 SCALE: 3/4"=1'-0"



15 METAL TOE GUARD DETAIL  
 AE421 SCALE: 3/4"=1'-0"

