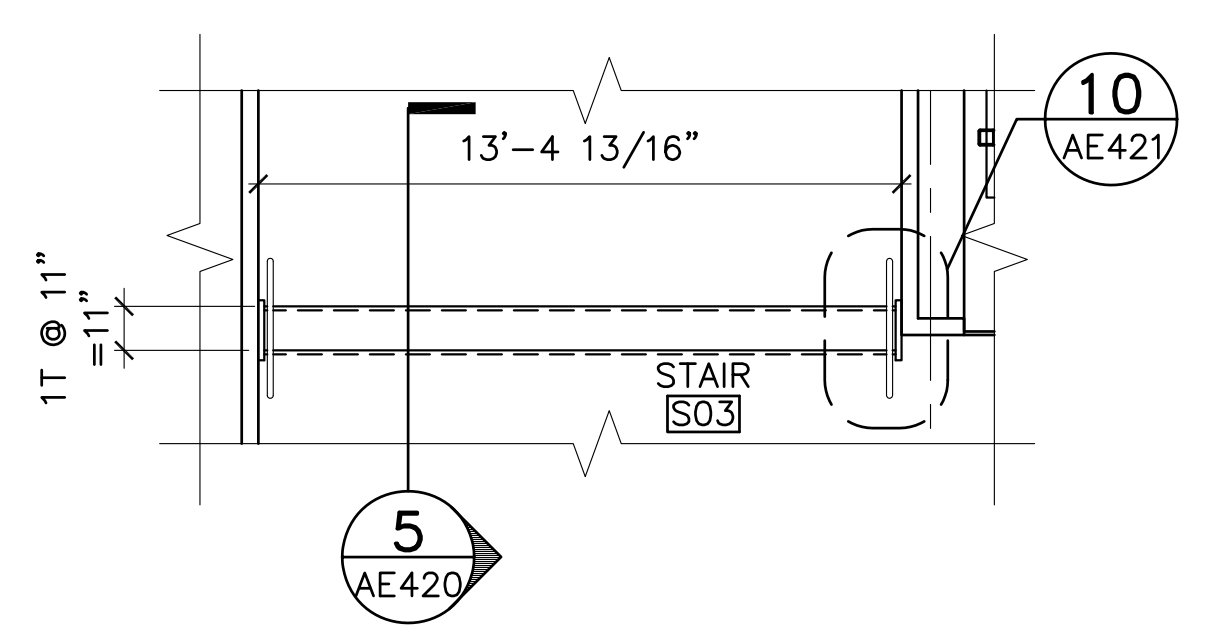
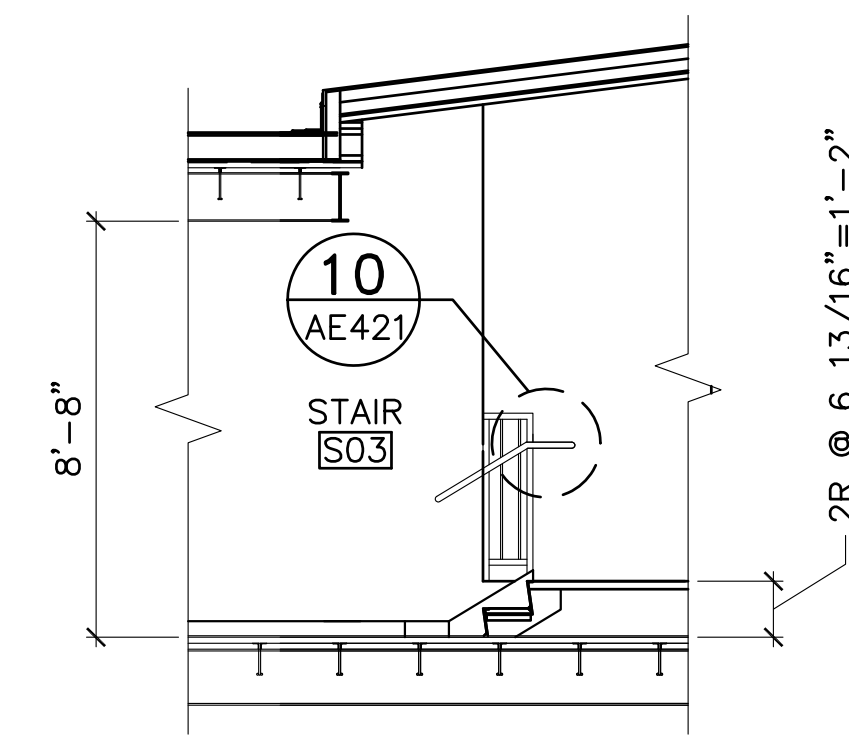


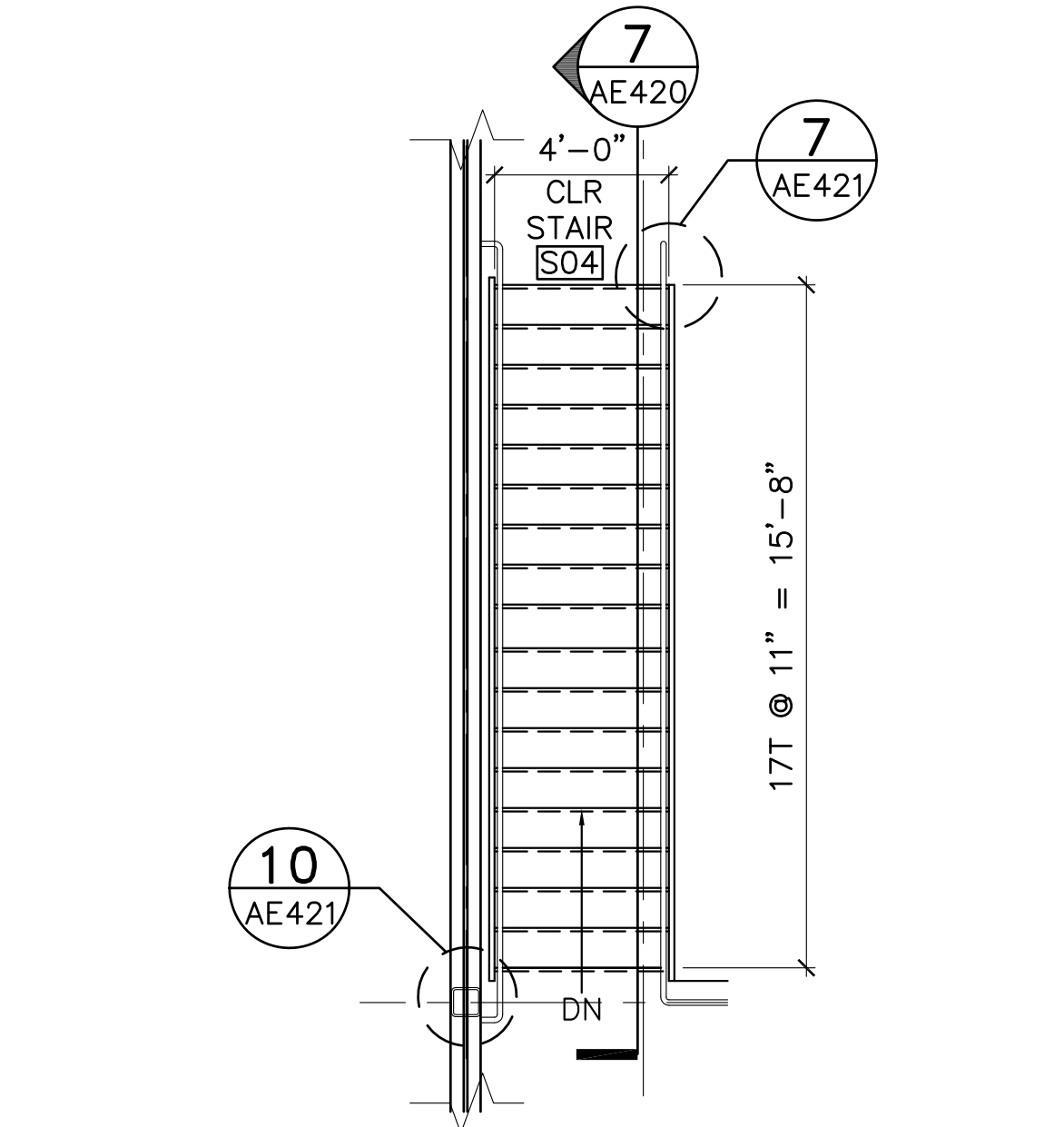
1 STAIR 001 FIRST FLOOR PLAN
AE420 SCALE: 1/4"=1'-0"



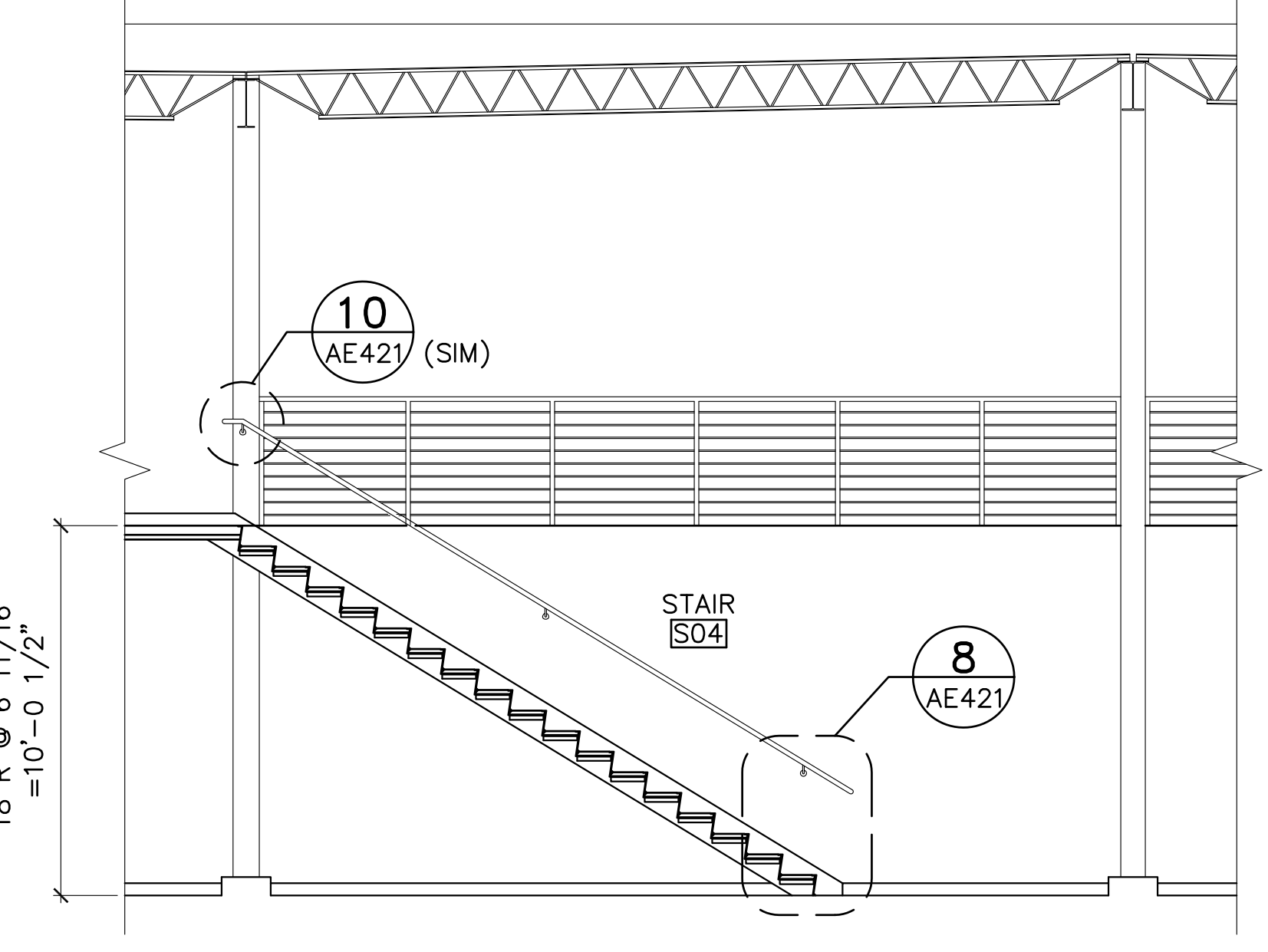
4 STAIR 003 SECOND FLOOR PLAN
AE420 SCALE: 1/4"=1'-0"



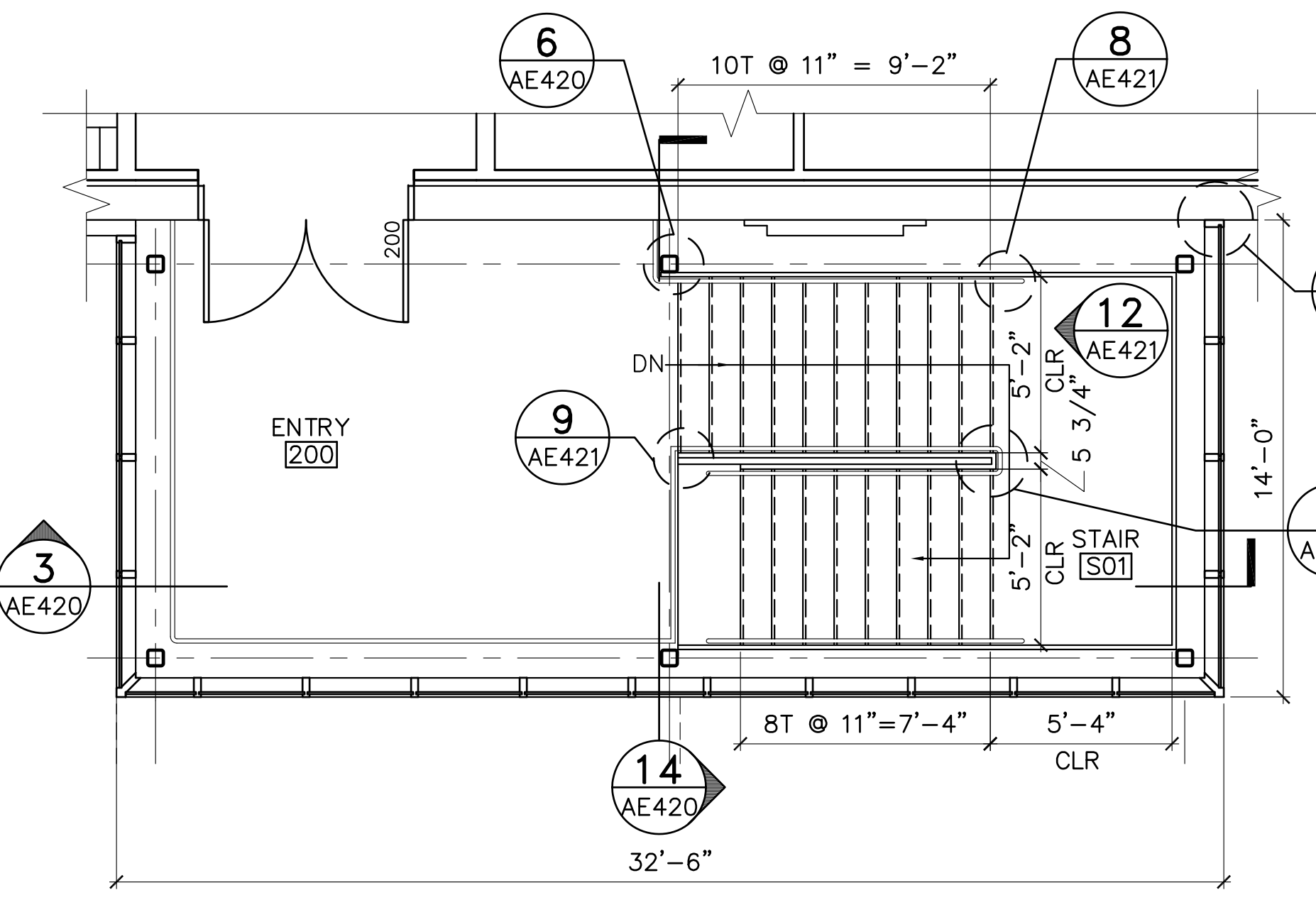
5 STAIR 003 SECTION
AE420 SCALE: 1/4"=1'-0"



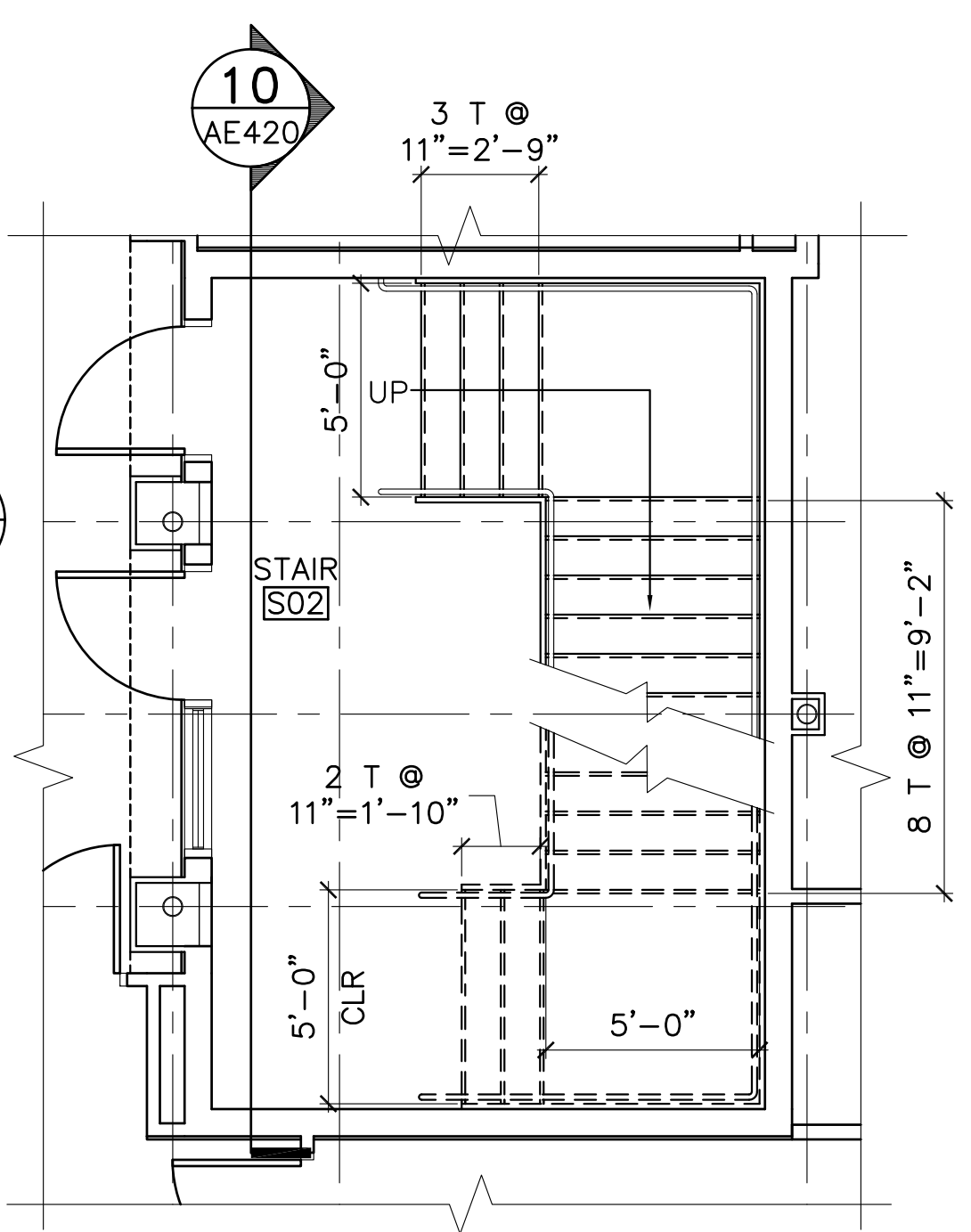
6 STAIR 004 SECOND FLOOR PLAN
AE420 SCALE: 1/4"=1'-0"



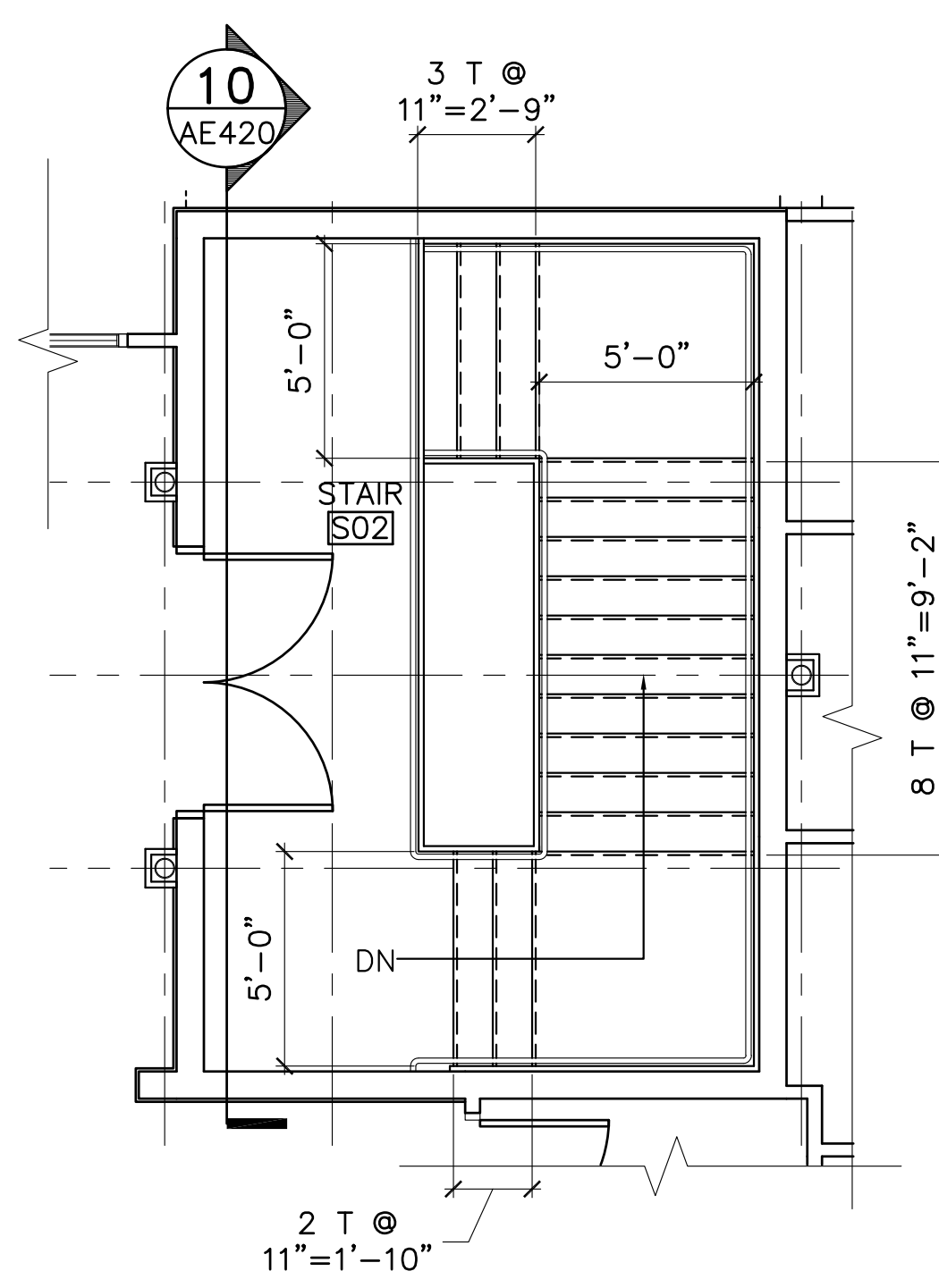
7 STAIR 004 SECTION
AE420 SCALE: 1/4"=1'-0"



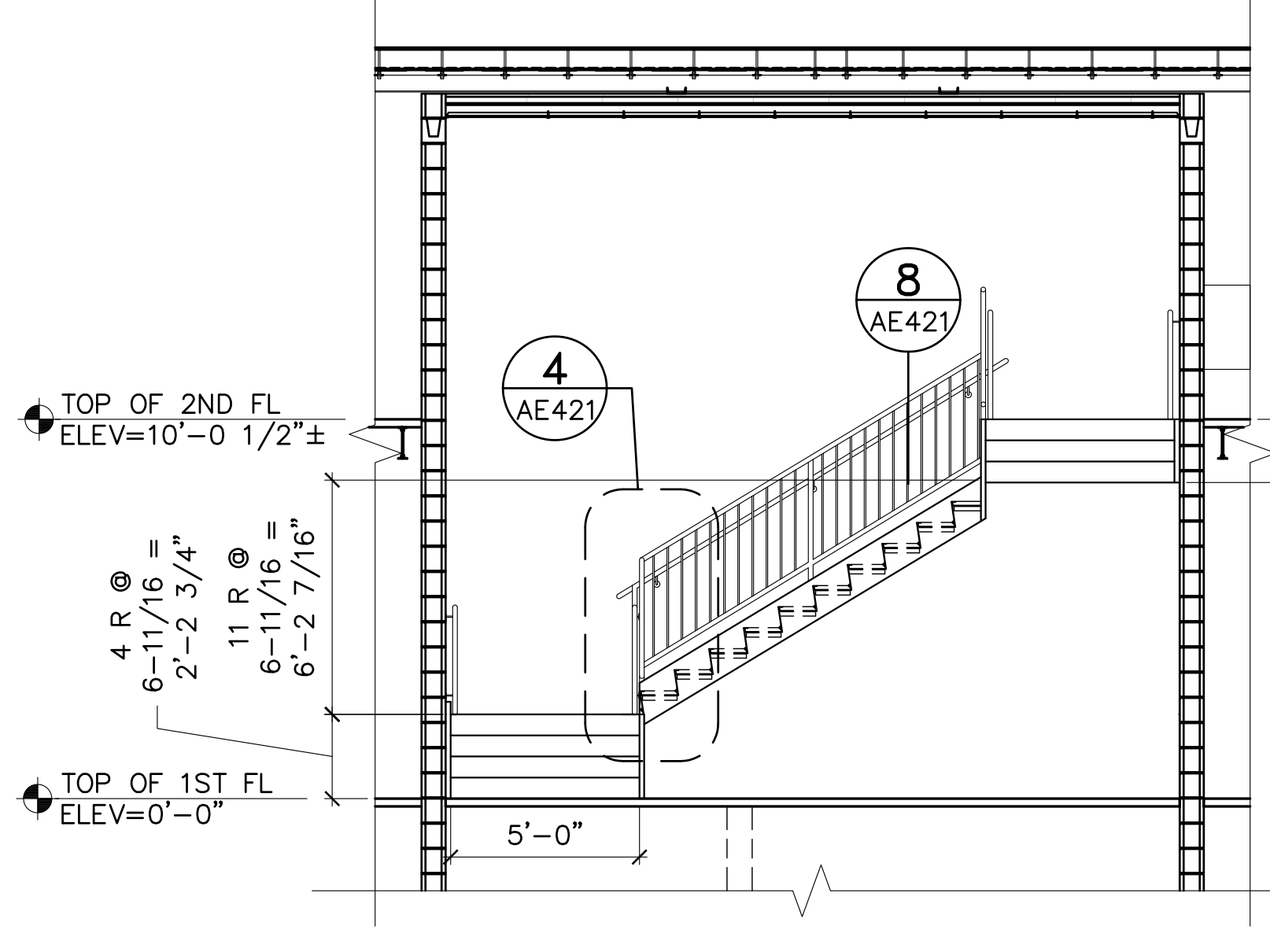
2 STAIR 001 SECOND FLOOR PLAN
AE420 SCALE: 1/4"=1'-0"



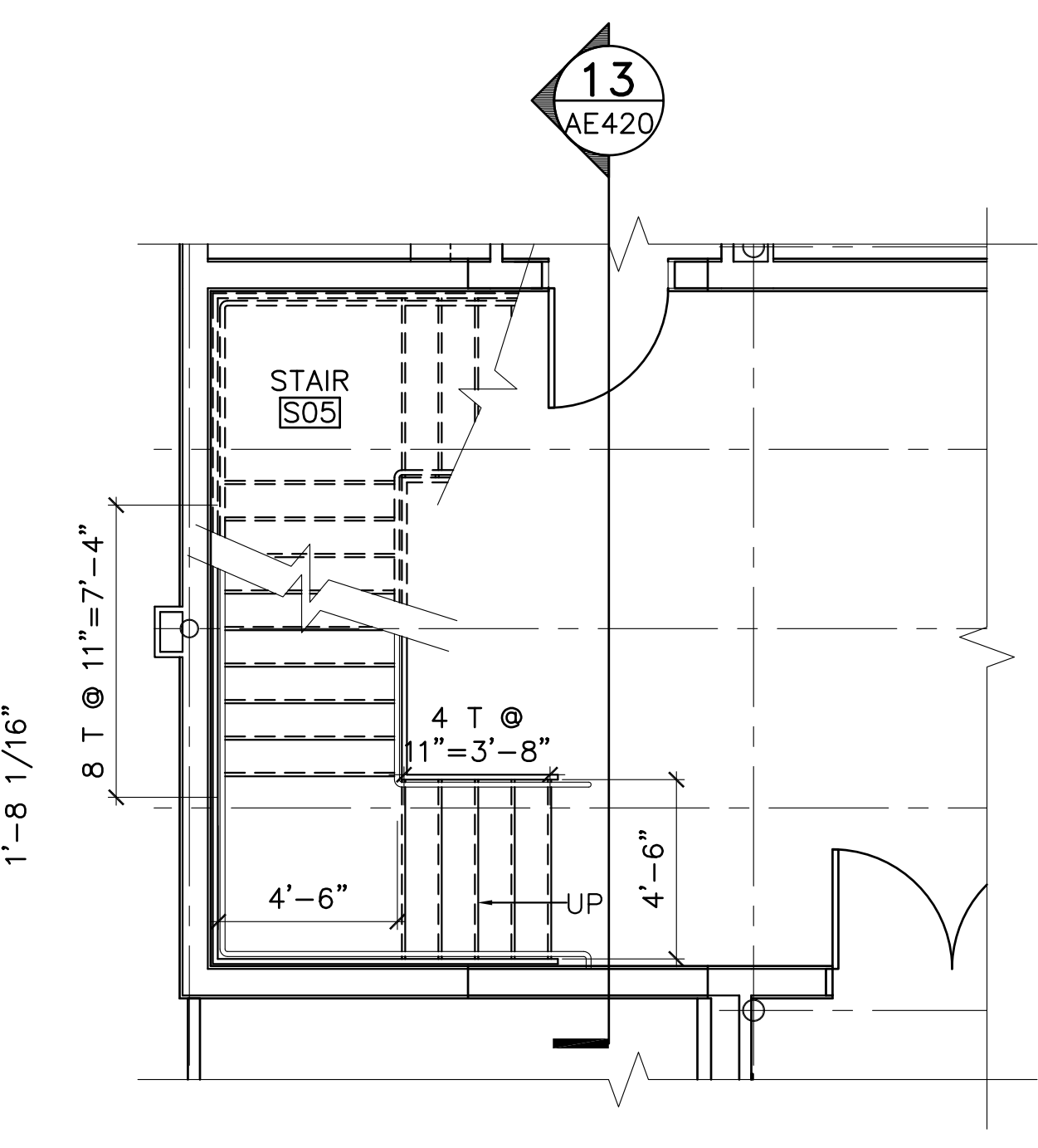
8 STAIR 002 FIRST FLOOR PLAN
AE420 SCALE: 1/4"=1'-0"



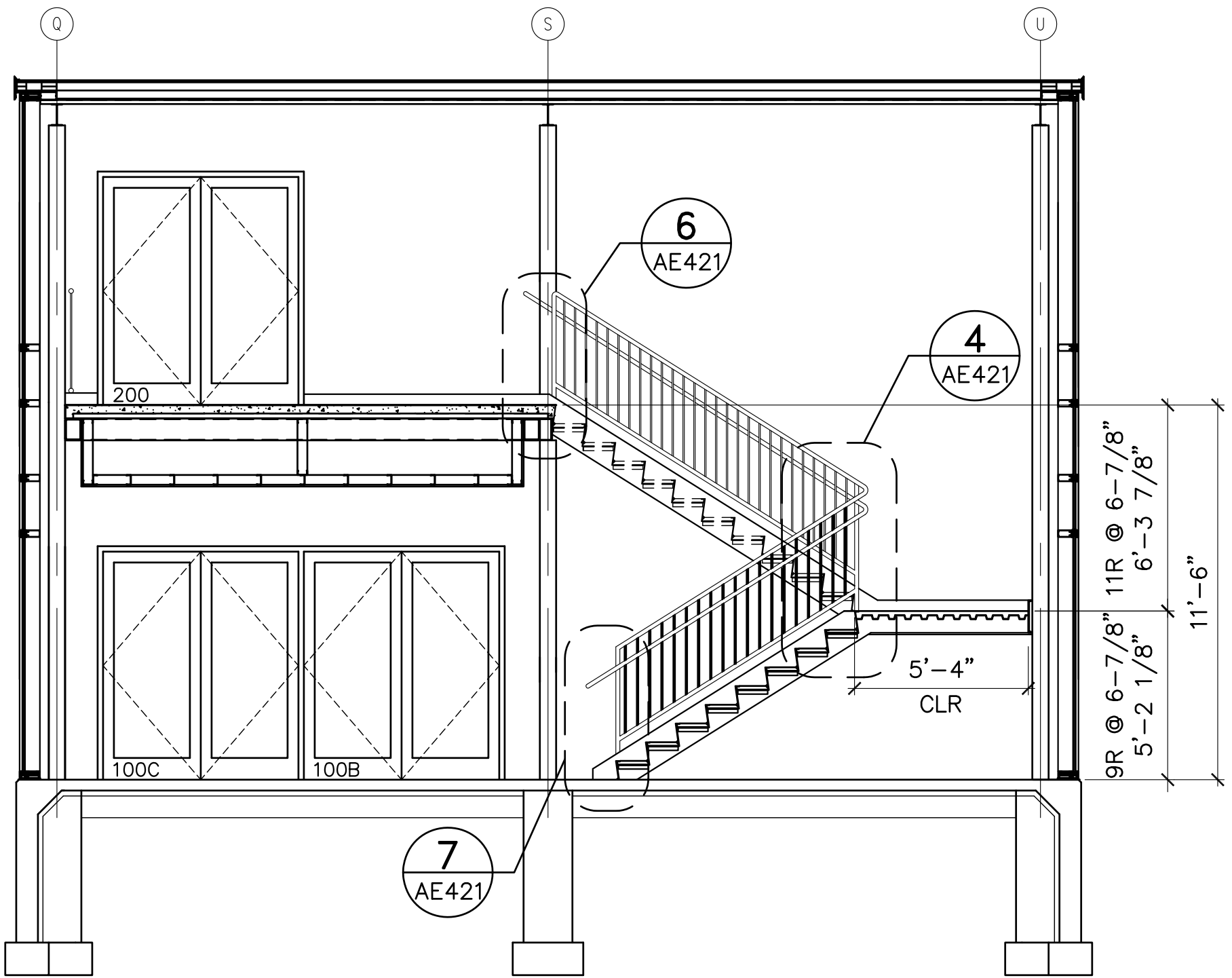
9 STAIR 002 SECOND FLOOR PLAN
AE420 SCALE: 1/4"=1'-0"



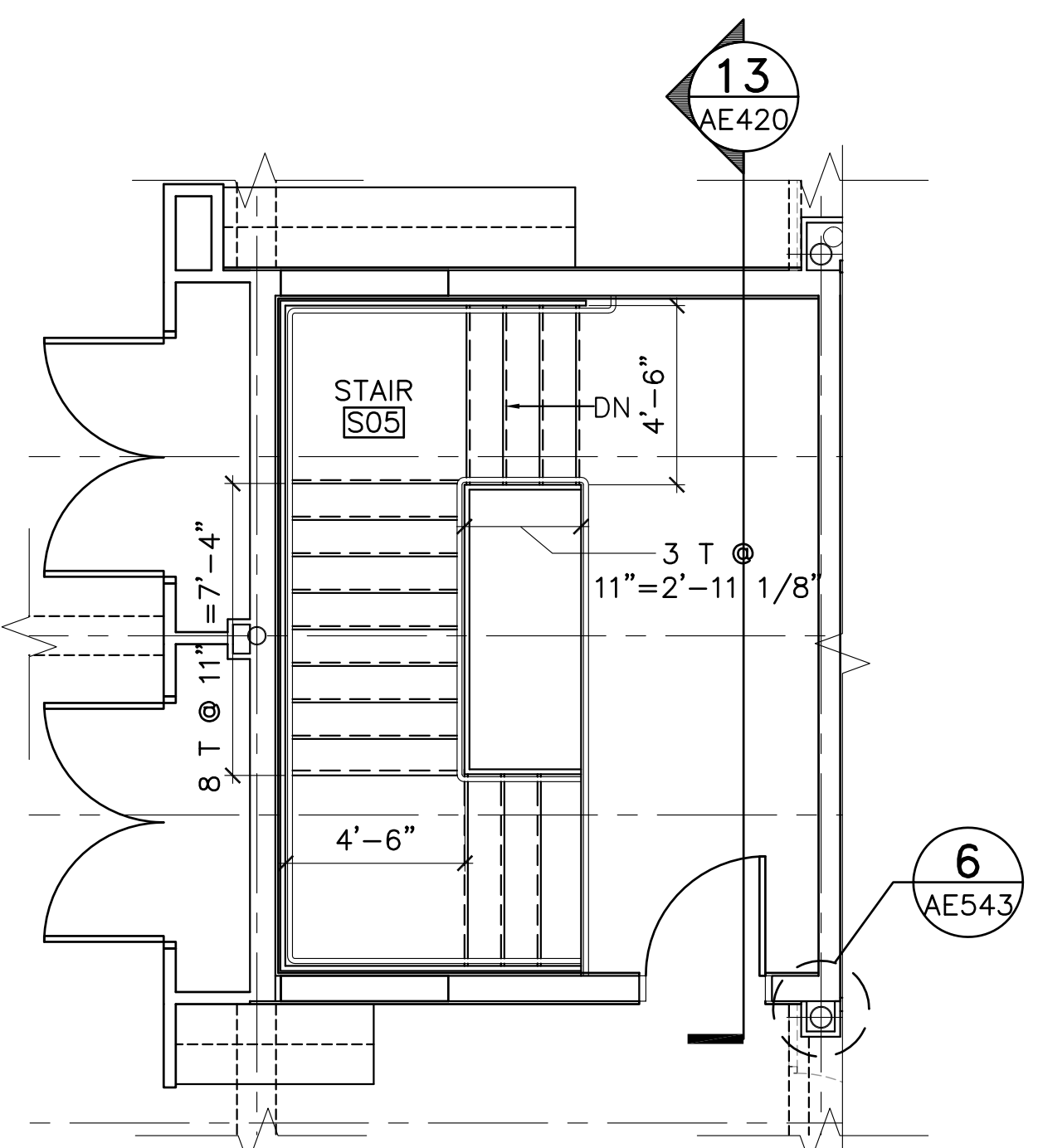
10 STAIR 002 SECTION
AE420 SCALE: 1/4"=1'-0"



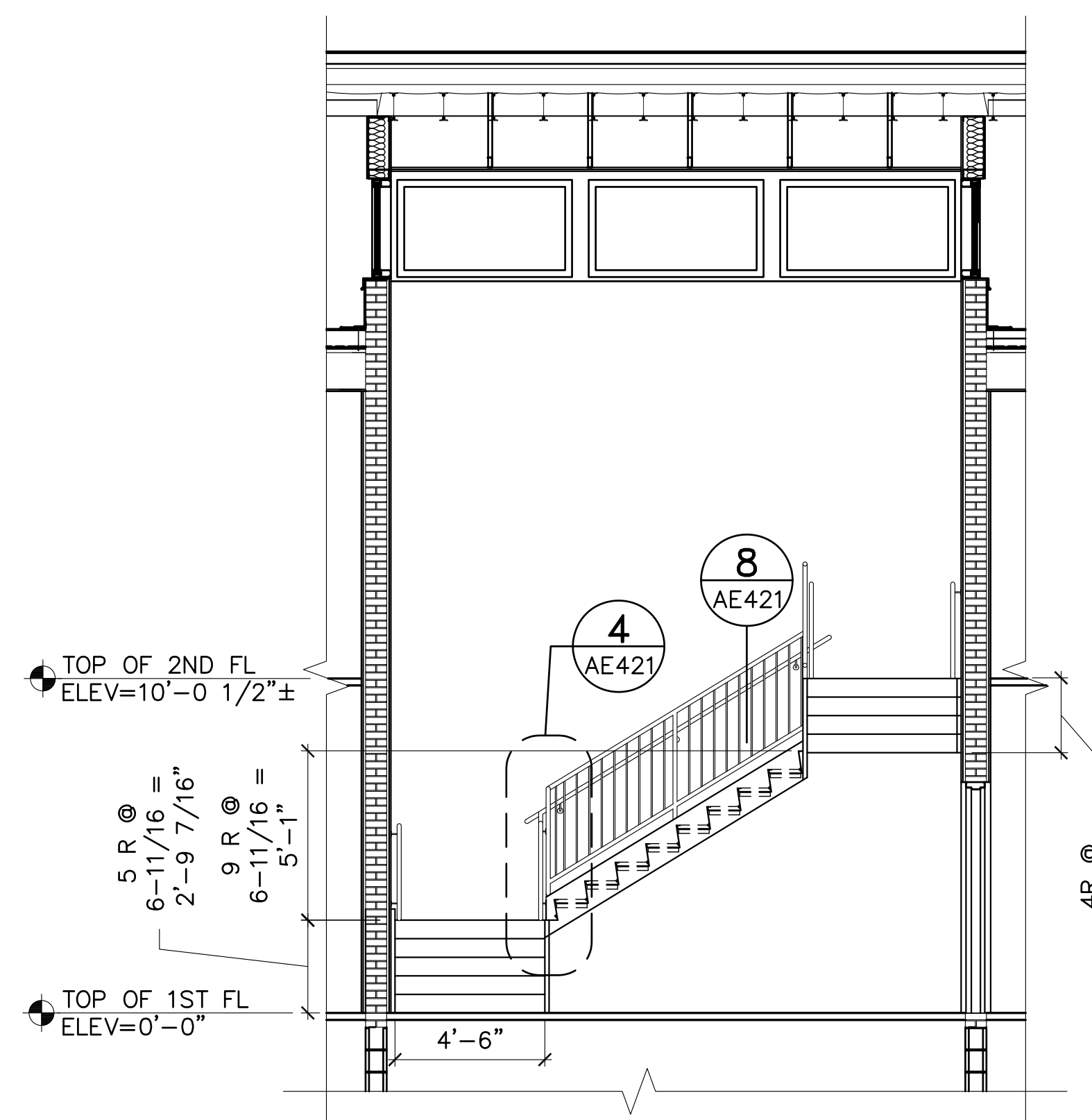
11 STAIR 005 FIRST FLOOR PLAN
AE420 SCALE: 1/4"=1'-0"



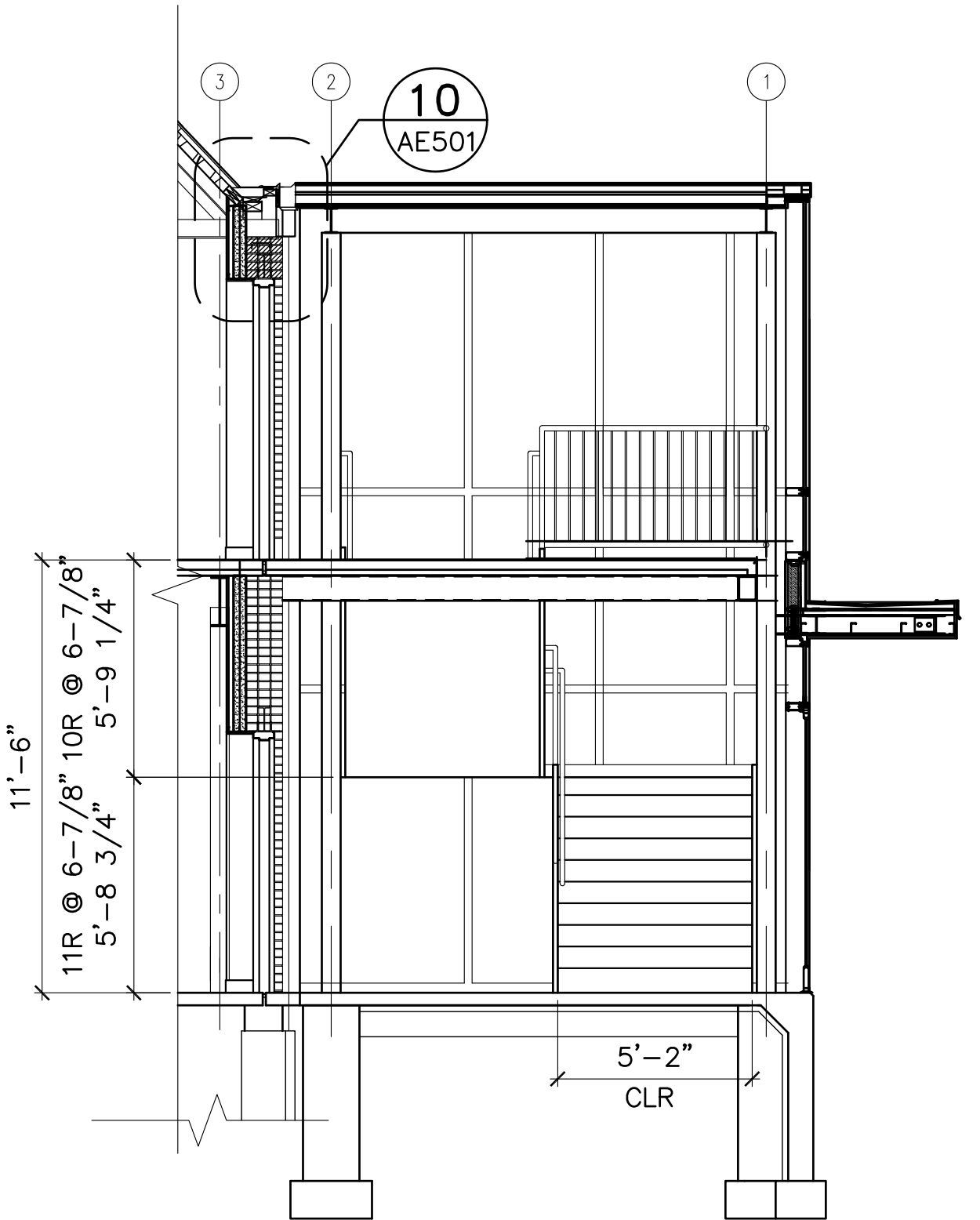
3 STAIR 001 SECTION
AE420 SCALE: 1/4"=1'-0"



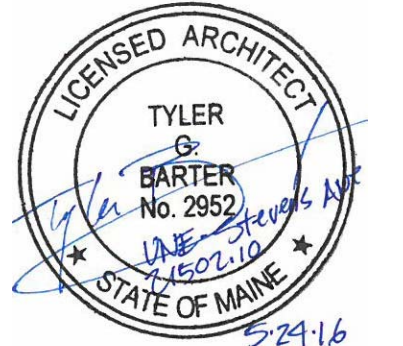
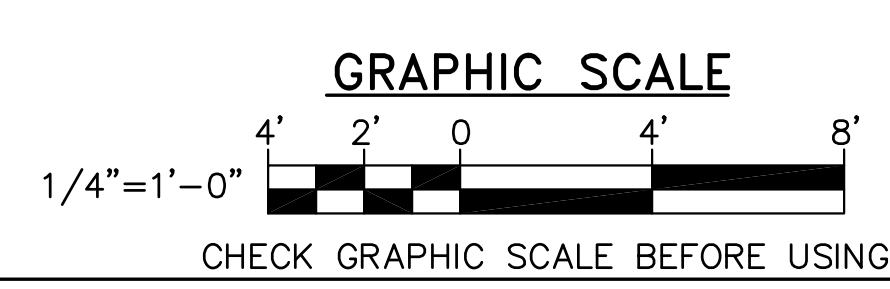
12 STAIR 005 SECOND FLOOR PLAN
AE420 SCALE: 1/4"=1'-0"



13 STAIR 005 SECTION
AE420 SCALE: 1/4"=1'-0"



14 STAIR 001 SECTION
AE420 SCALE: 1/4"=1'-0"



DESIGNED BY: TGB
DRAWN BY: TGB
CHECKED BY: TGB
PROJECT: 21502.10

UNIVERSITY OF NEW ENGLAND
PORTLAND CAMPUS
STEVEN AVENUE ARMORY
716 STEVEN AVENUE
PORTLAND, MAINE 04103
1(207)283-0171

RENOVATIONS TO THE
STEVEN AVENUE ARMORY

ENLARGED
STAIR PLANS
AND STAIR
SECTIONS