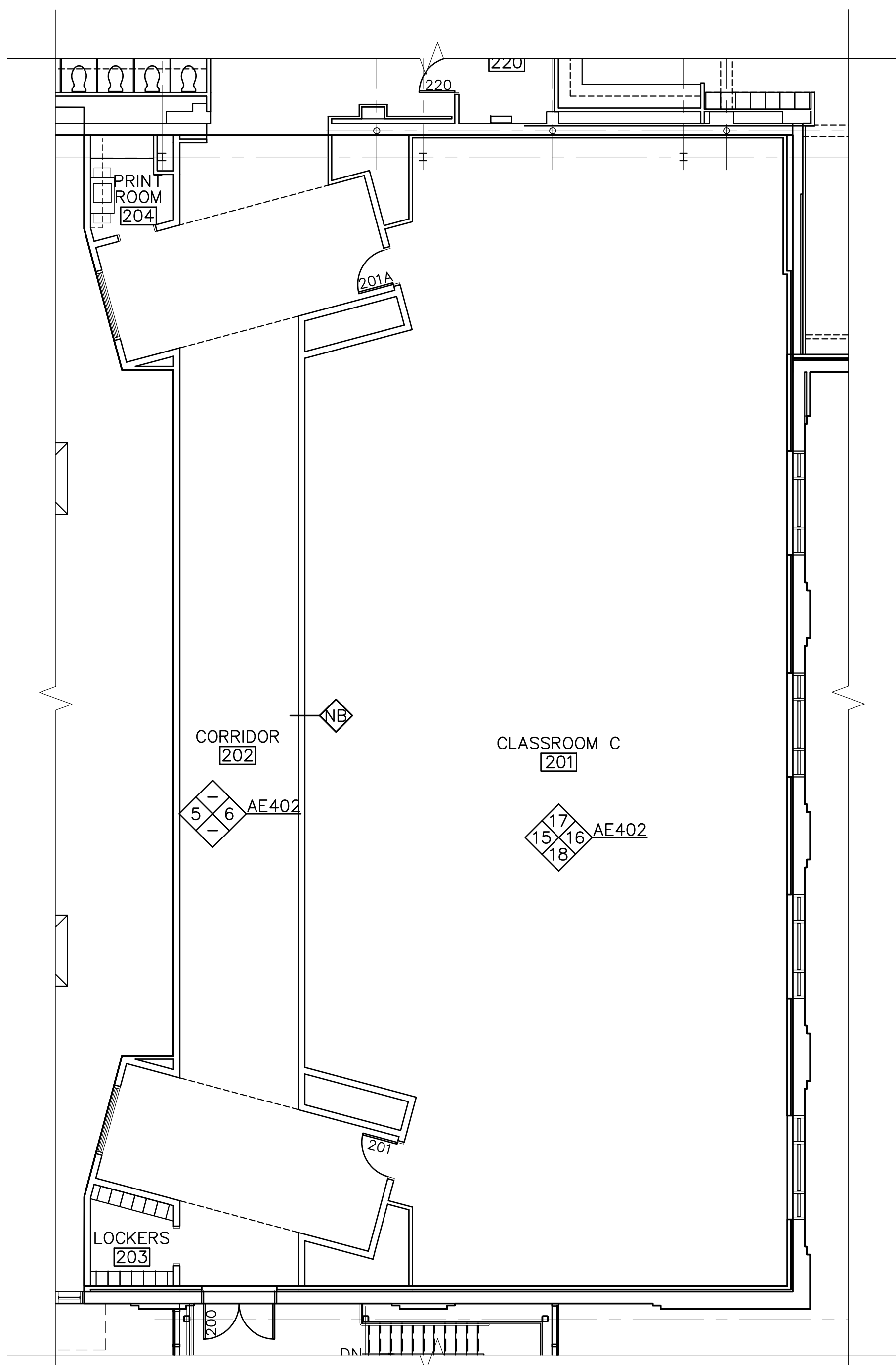
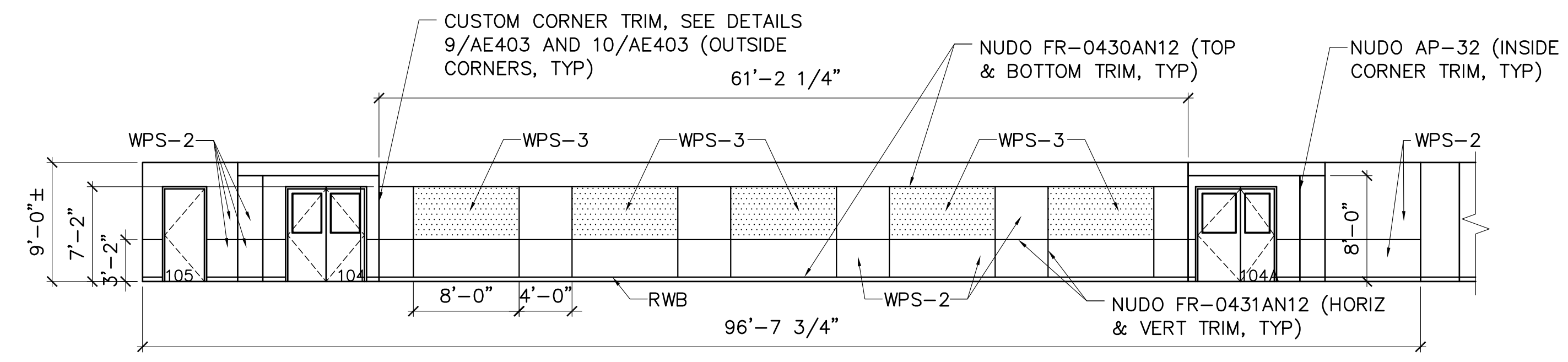


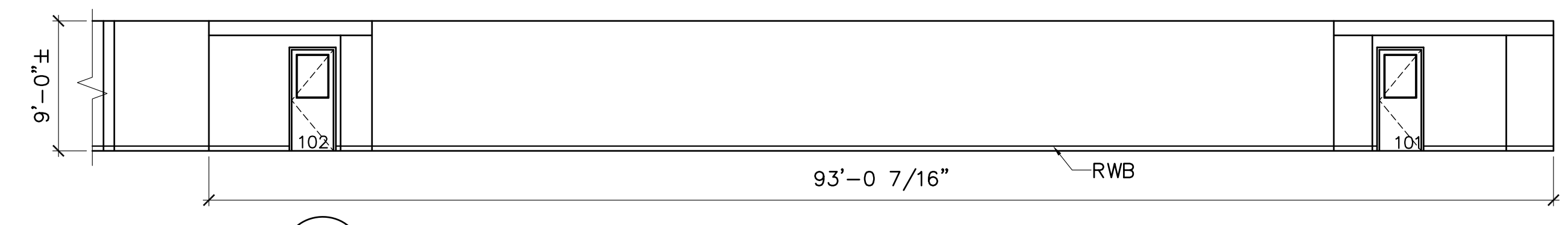
1 CLASSROOMS A, B PLAN  
AE101/AE402 SCALE: 1/8"=1'-0"



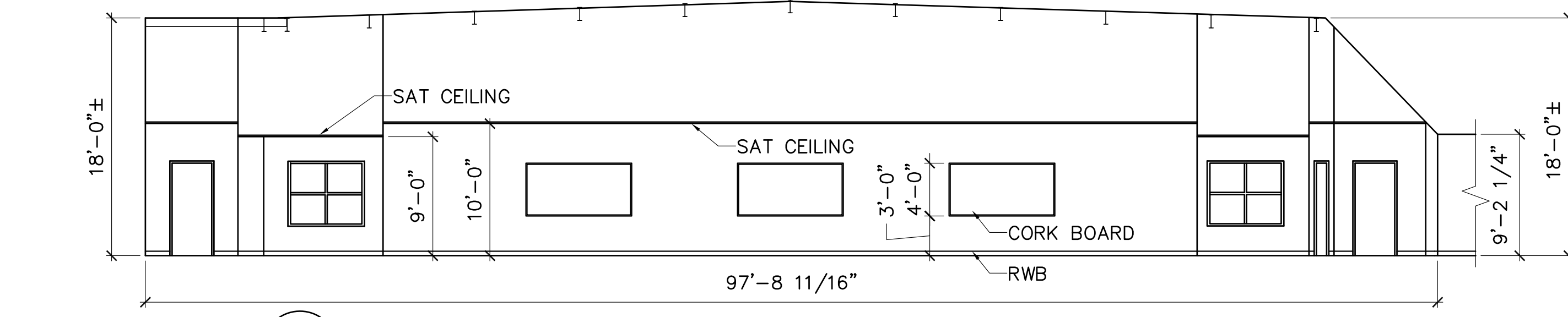
2 CLASSROOMS A, B PLAN  
AE103/AE402 SCALE: 1/8"=1'-0"



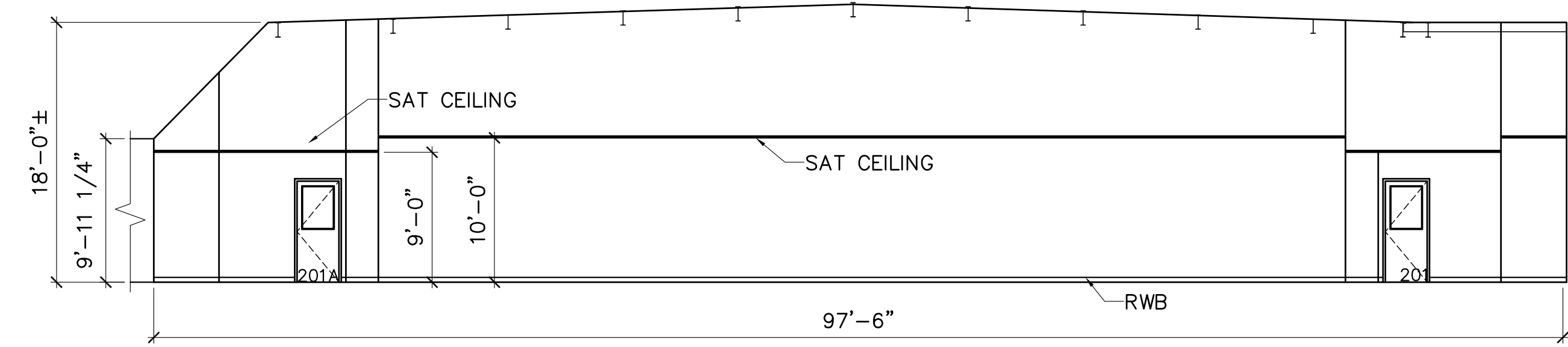
3 CORRIDOR 103 ELEVATION  
AE402 SCALE: 1/8"=1'-0"



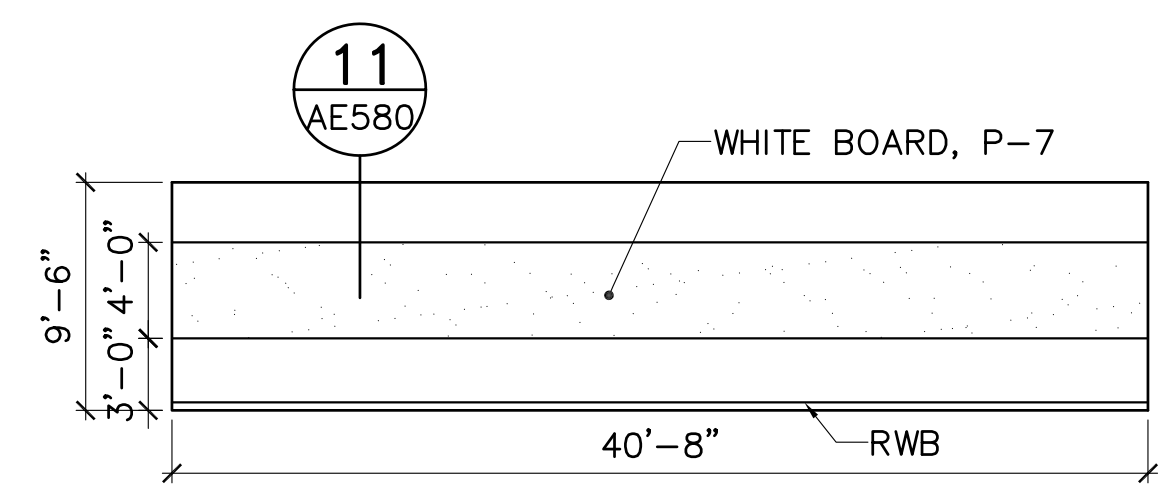
4 CORRIDOR 103 ELEVATION  
AE402 SCALE: 1/8"=1'-0"



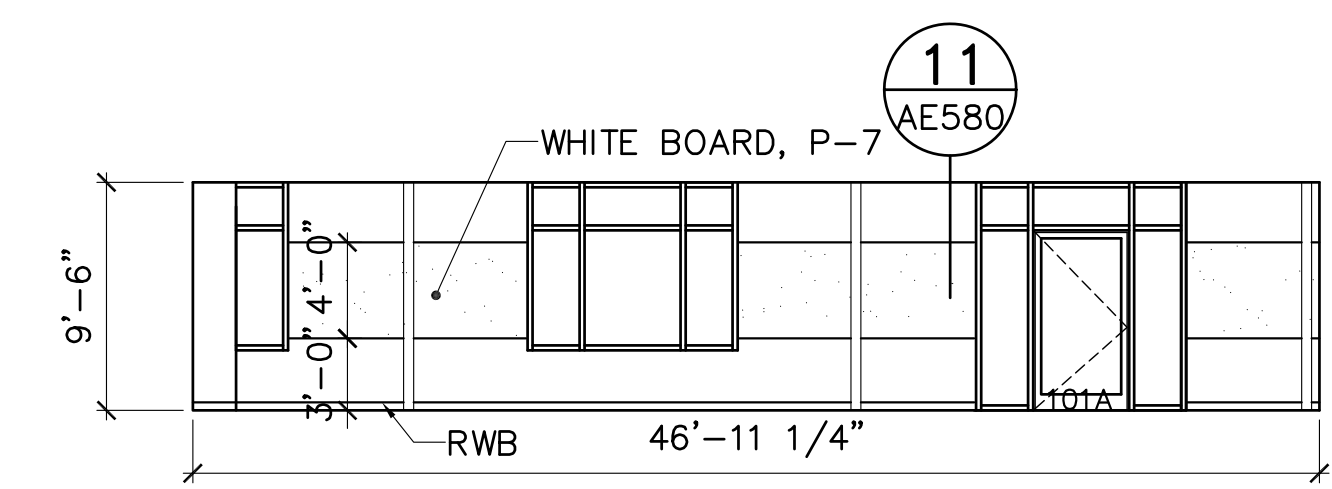
5 CORRIDOR 202 ELEVATION  
AE402 SCALE: 1/8"=1'-0"



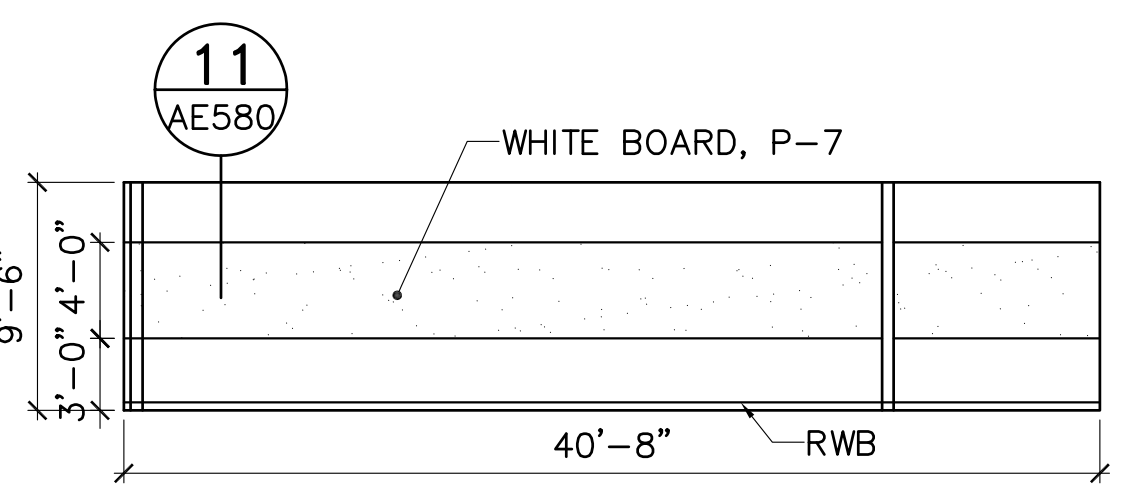
6 CORRIDOR 202 ELEVATION  
AE402 SCALE: 1/8"=1'-0"



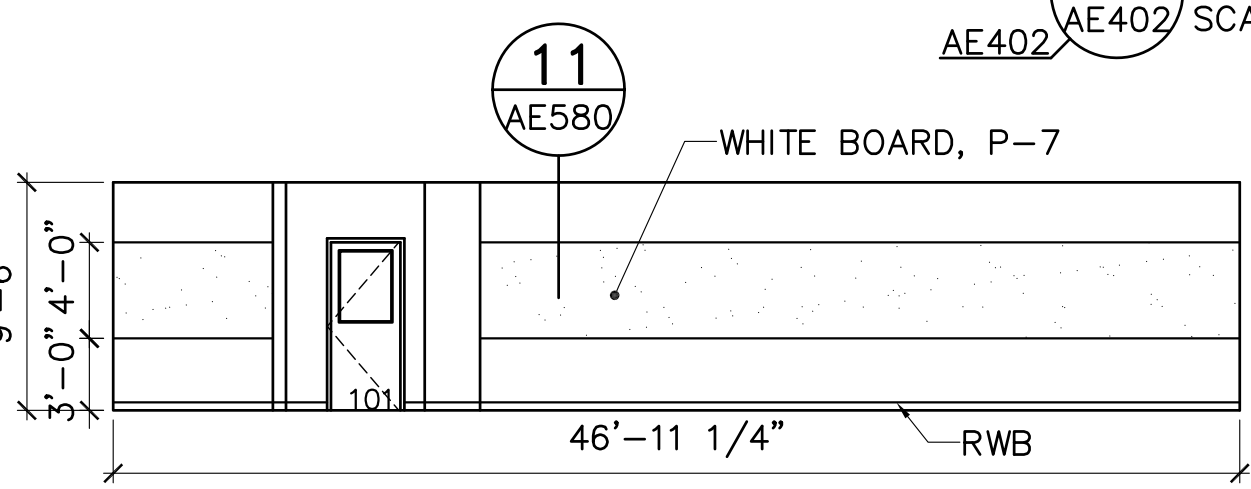
7 CLASSROOMS B PLAN  
AE402 SCALE: 1/8"=1'-0"



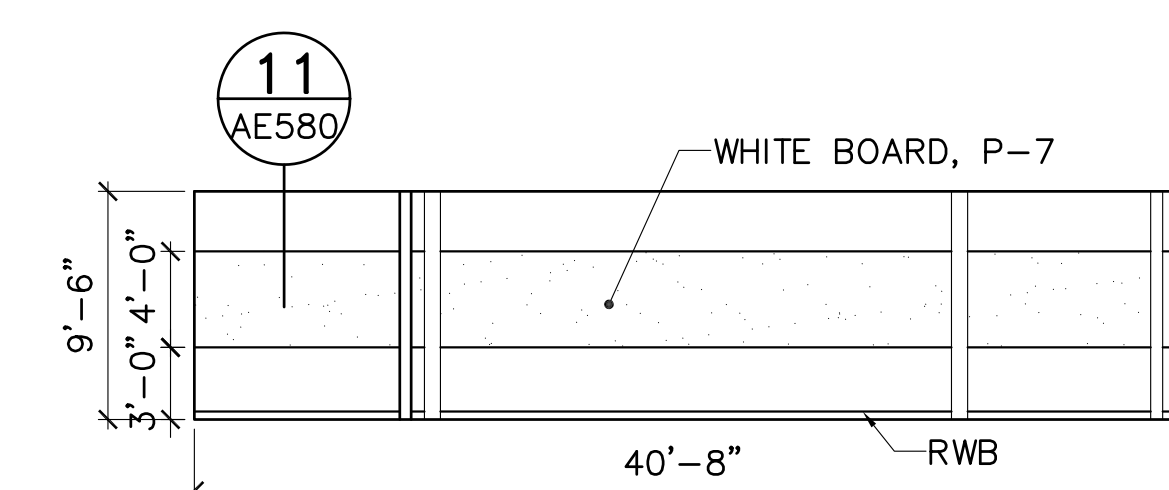
8 CLASSROOMS B PLAN  
AE402 SCALE: 1/8"=1'-0"



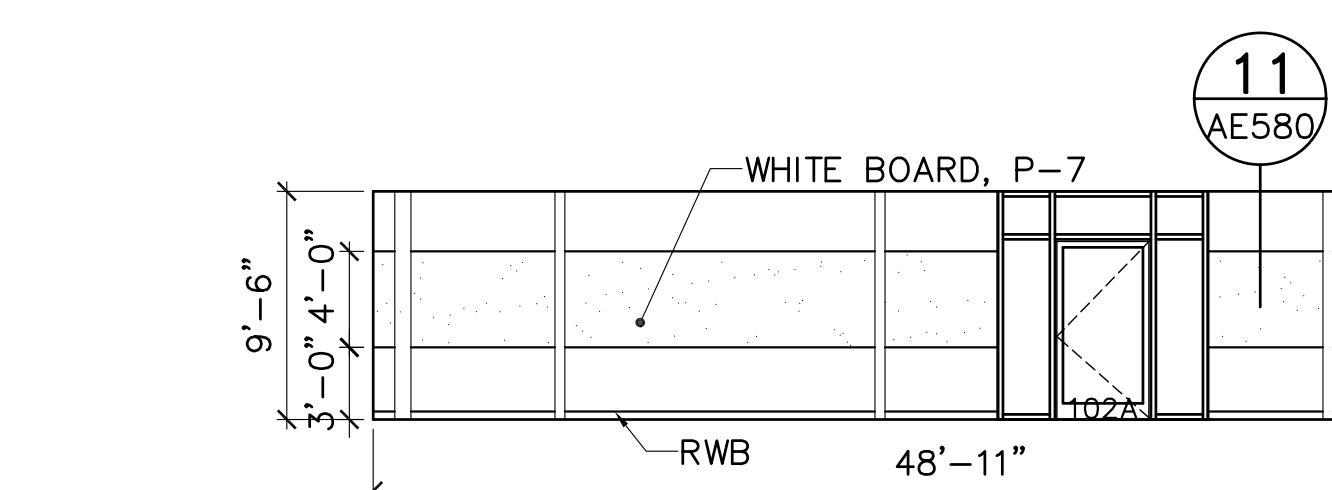
9 CLASSROOMS B PLAN  
AE402 SCALE: 1/8"=1'-0"



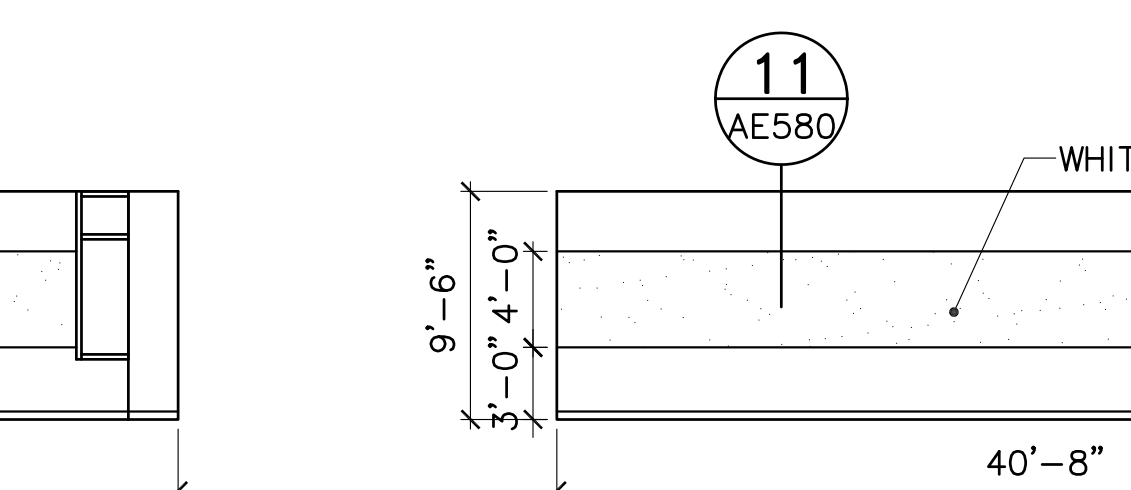
10 CLASSROOMS B PLAN  
AE402 SCALE: 1/8"=1'-0"



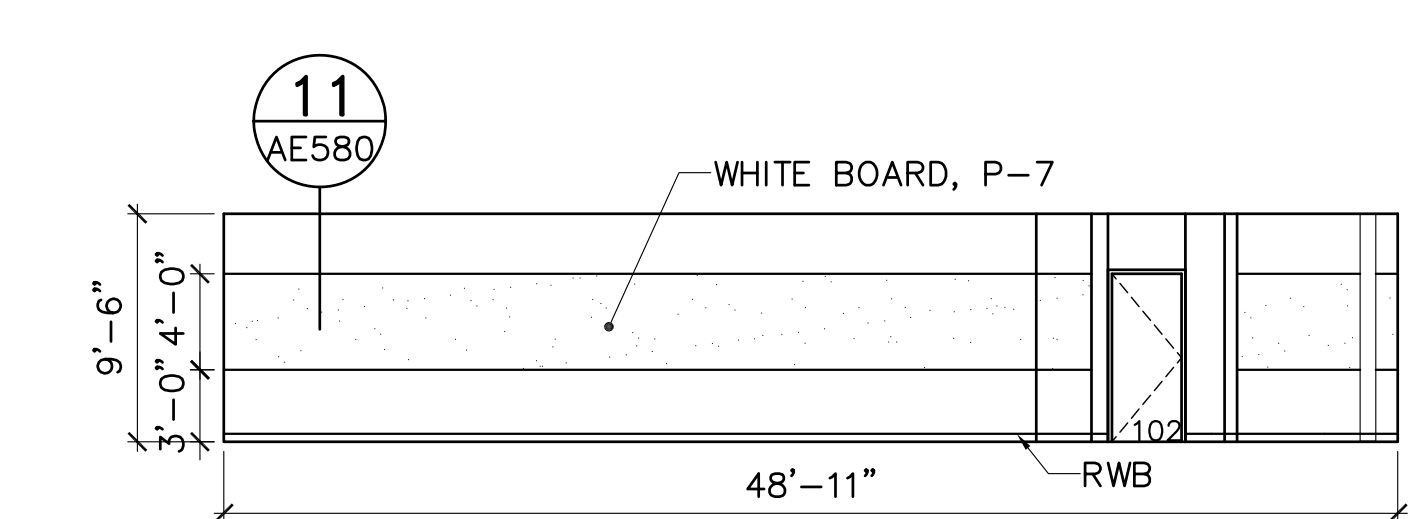
11 CLASSROOMS A PLAN  
AE402 SCALE: 1/8"=1'-0"



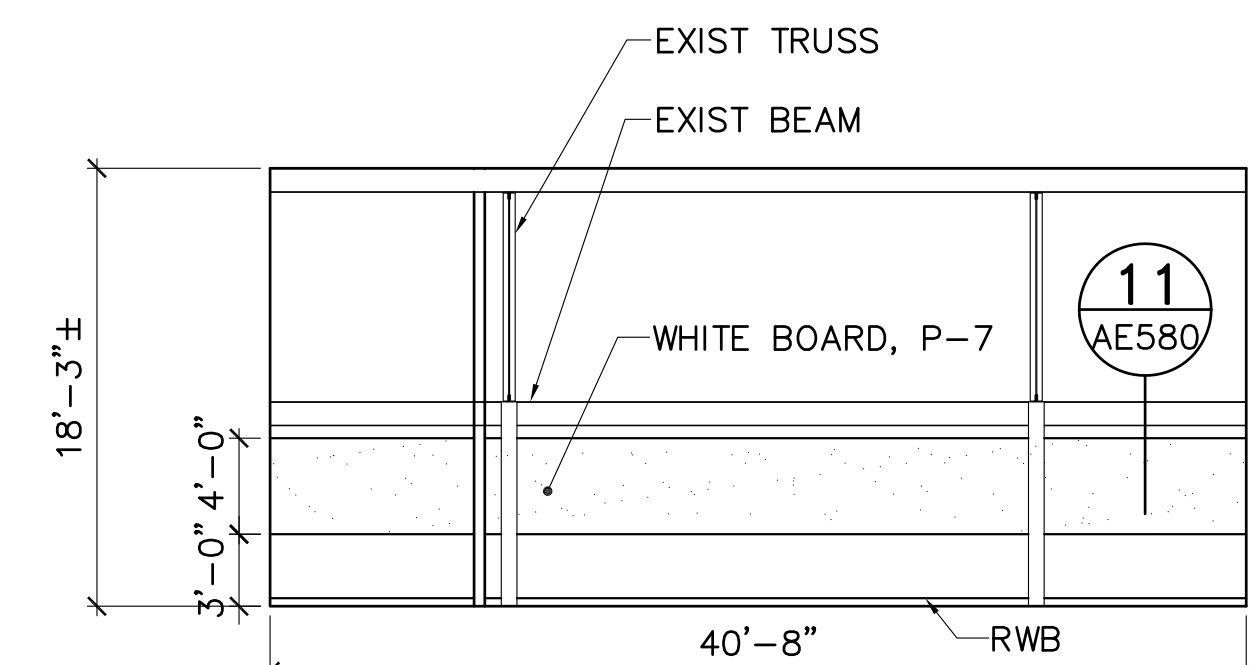
12 CLASSROOMS A PLAN  
AE402 SCALE: 1/8"=1'-0"



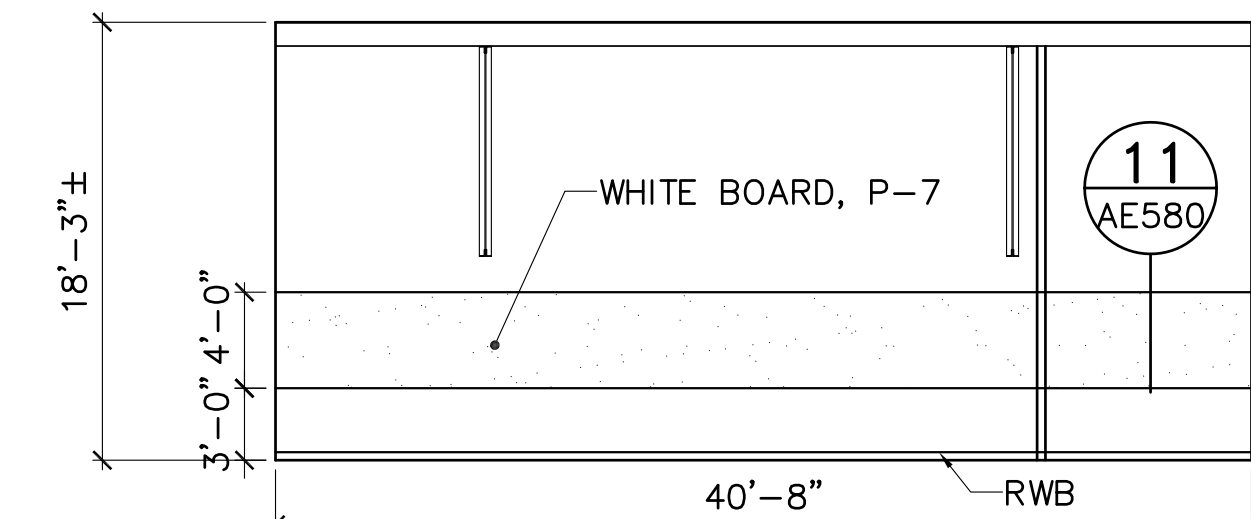
13 CLASSROOMS A PLAN  
AE402 SCALE: 1/8"=1'-0"



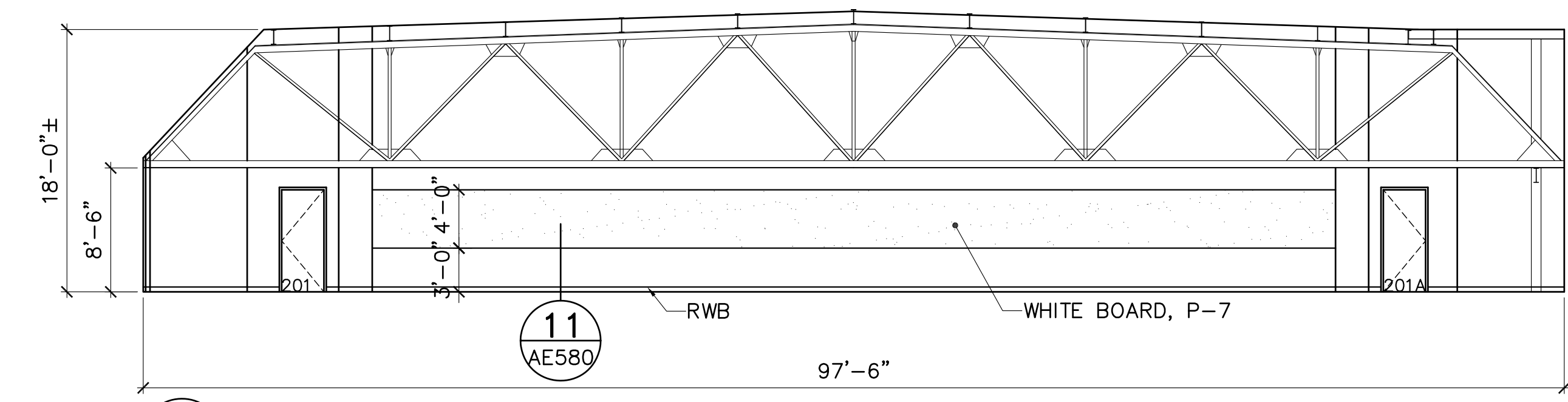
14 CLASSROOMS A PLAN  
AE402 SCALE: 1/8"=1'-0"



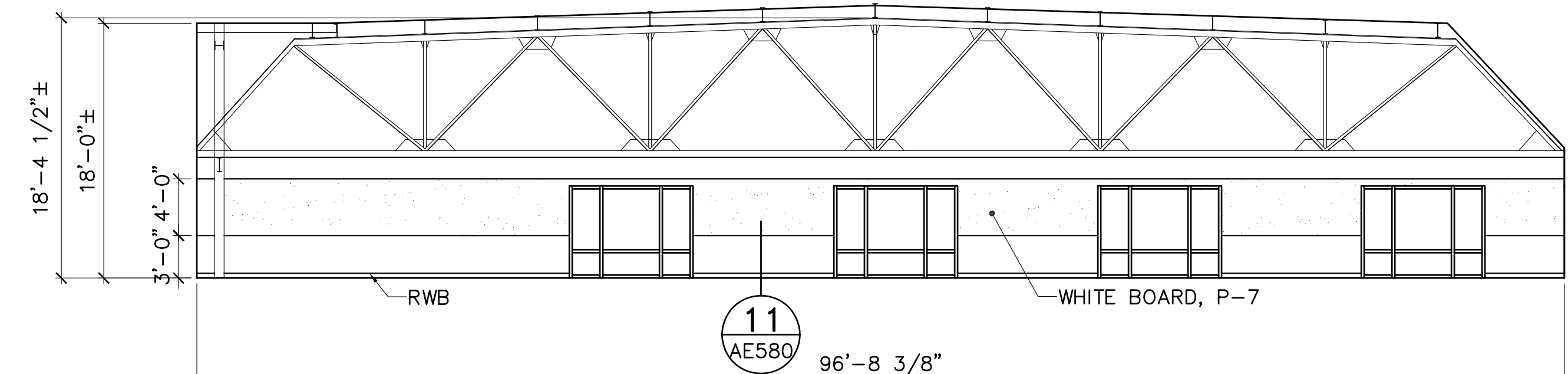
17 CLASSROOMS C PLAN  
AE402 SCALE: 1/8"=1'-0"



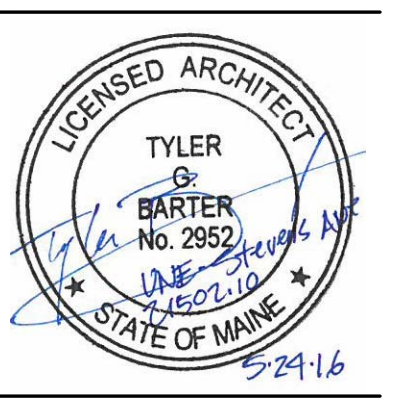
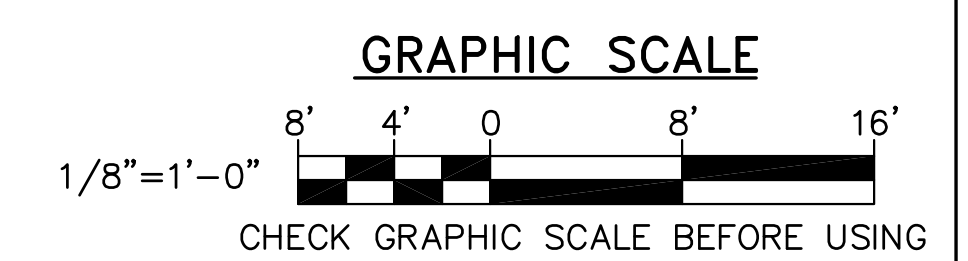
18 CLASSROOMS C PLAN  
AE402 SCALE: 1/8"=1'-0"



15 CLASSROOMS C PLAN  
AE402 SCALE: 1/8"=1'-0"



16 CLASSROOMS C PLAN  
AE402 SCALE: 1/8"=1'-0"



DESIGNED BY: TGB  
DRAWN BY: TGB  
CHECKED BY: TGB  
PROJECT: 21502.10

UNIVERSITY OF NEW ENGLAND  
PORTLAND CAMPUS  
STEVEN AVENUE ARMORY  
718 STEVENS AVE  
PORTLAND, MAINE 04103  
(1) 207 283-0171

RENOVATIONS TO THE  
STEVEN AVENUE ARMORY

CLASSROOMS  
A AND B PLAN  
AND ELEVATION