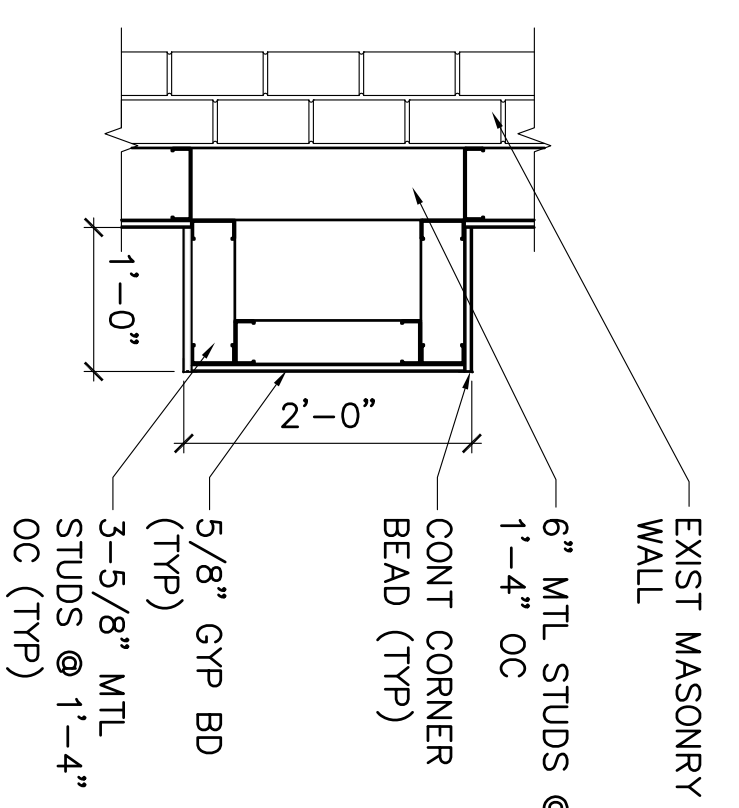
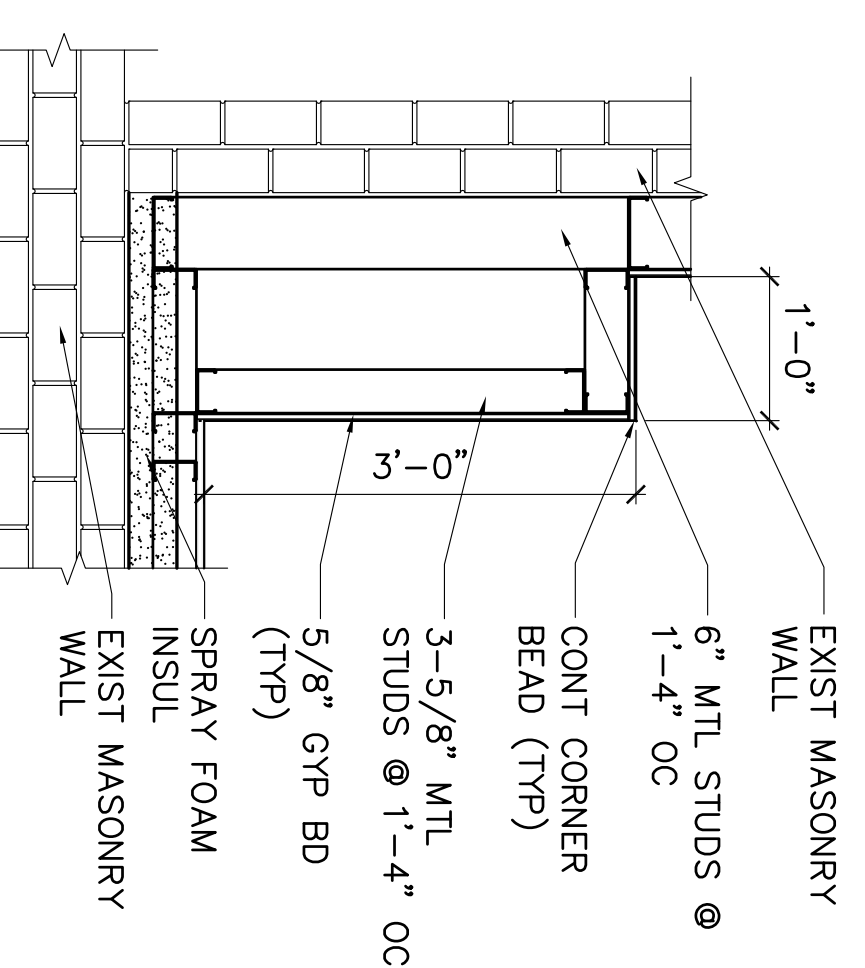


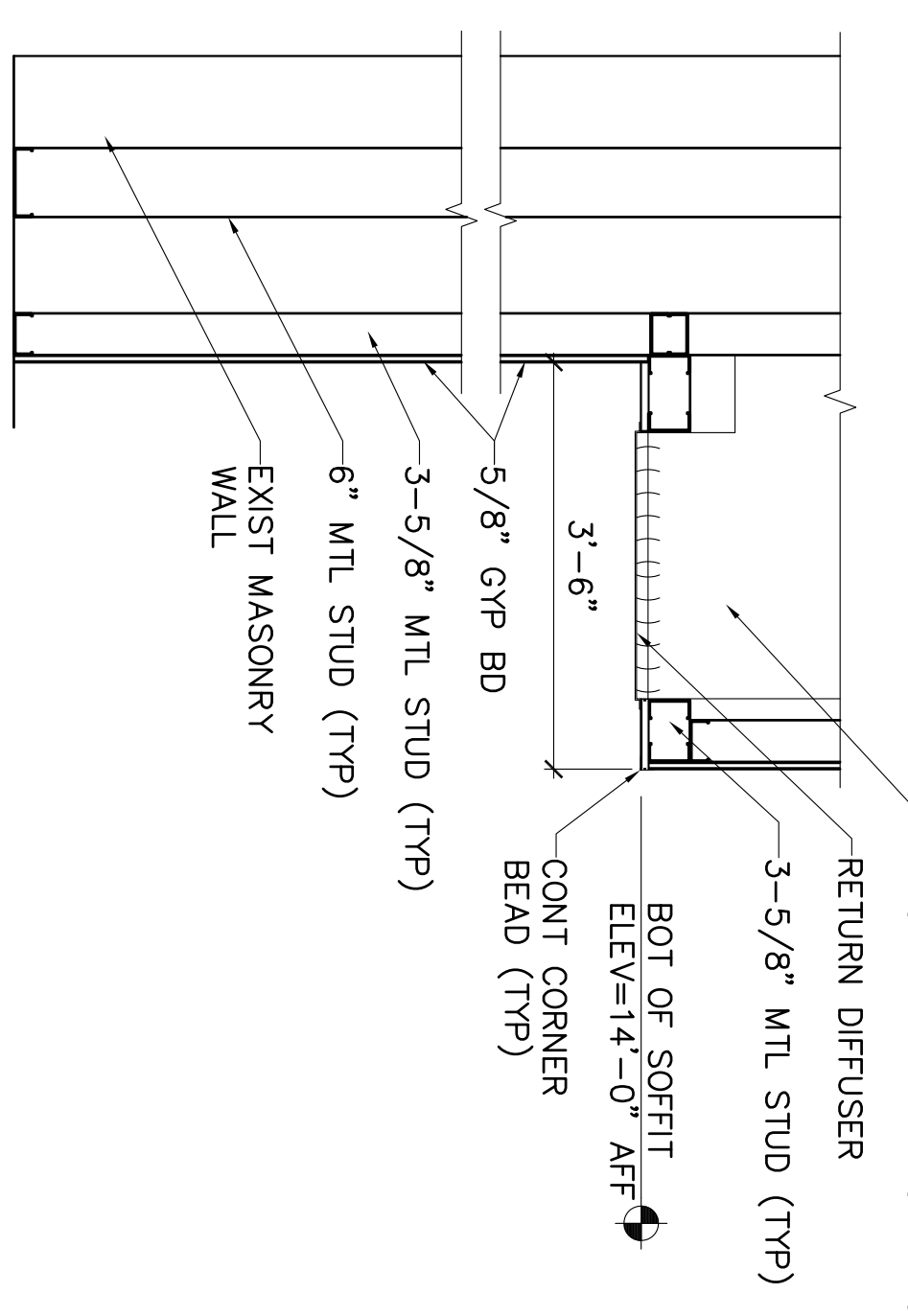
1 FUNCTION ROOM PLAN
 AE401/AE401 SCALE: 1/8"=1'-0"



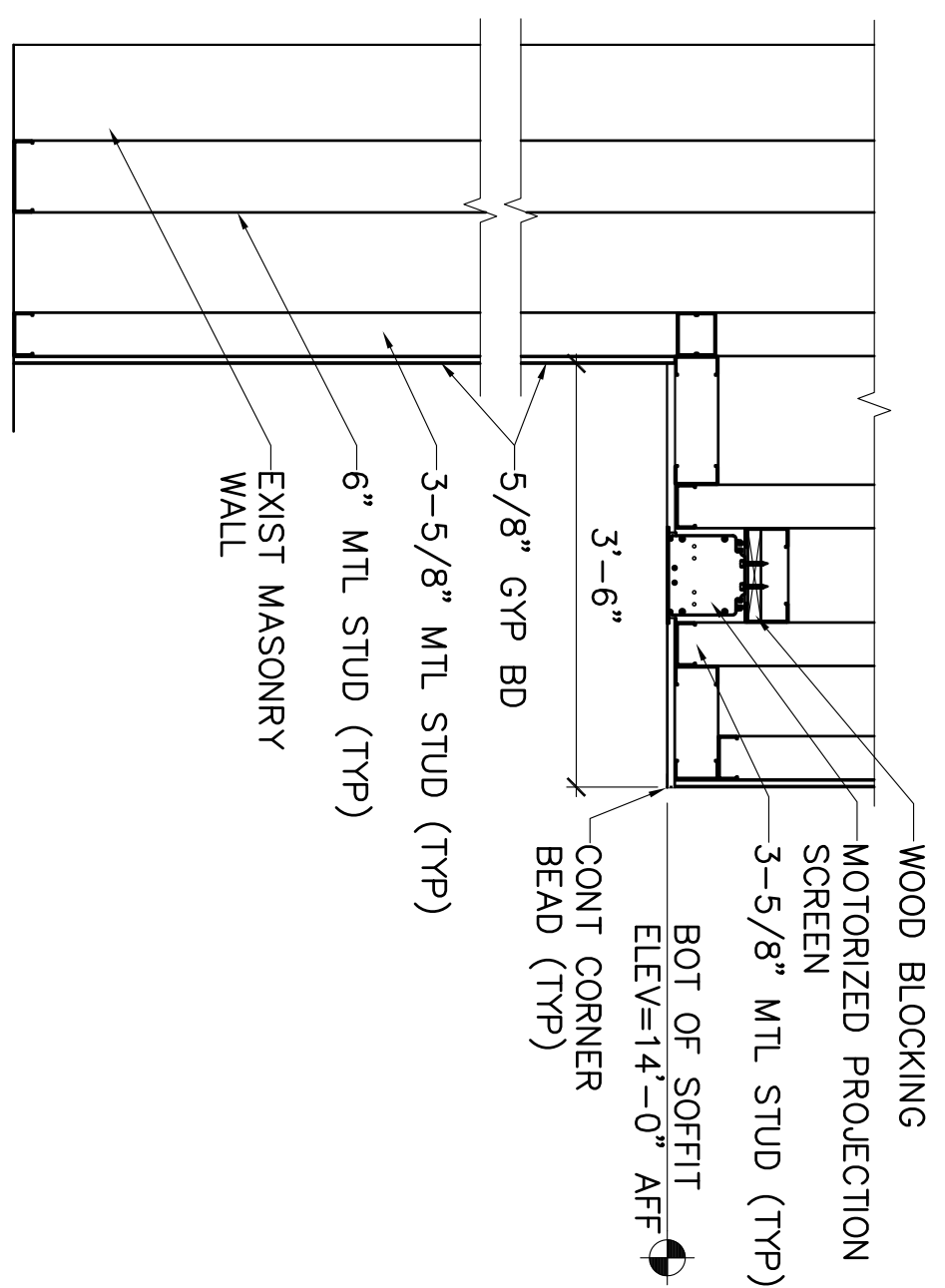
6 WALL DETAIL
 AE401/AE401 SCALE: 3/4"=1'-0"



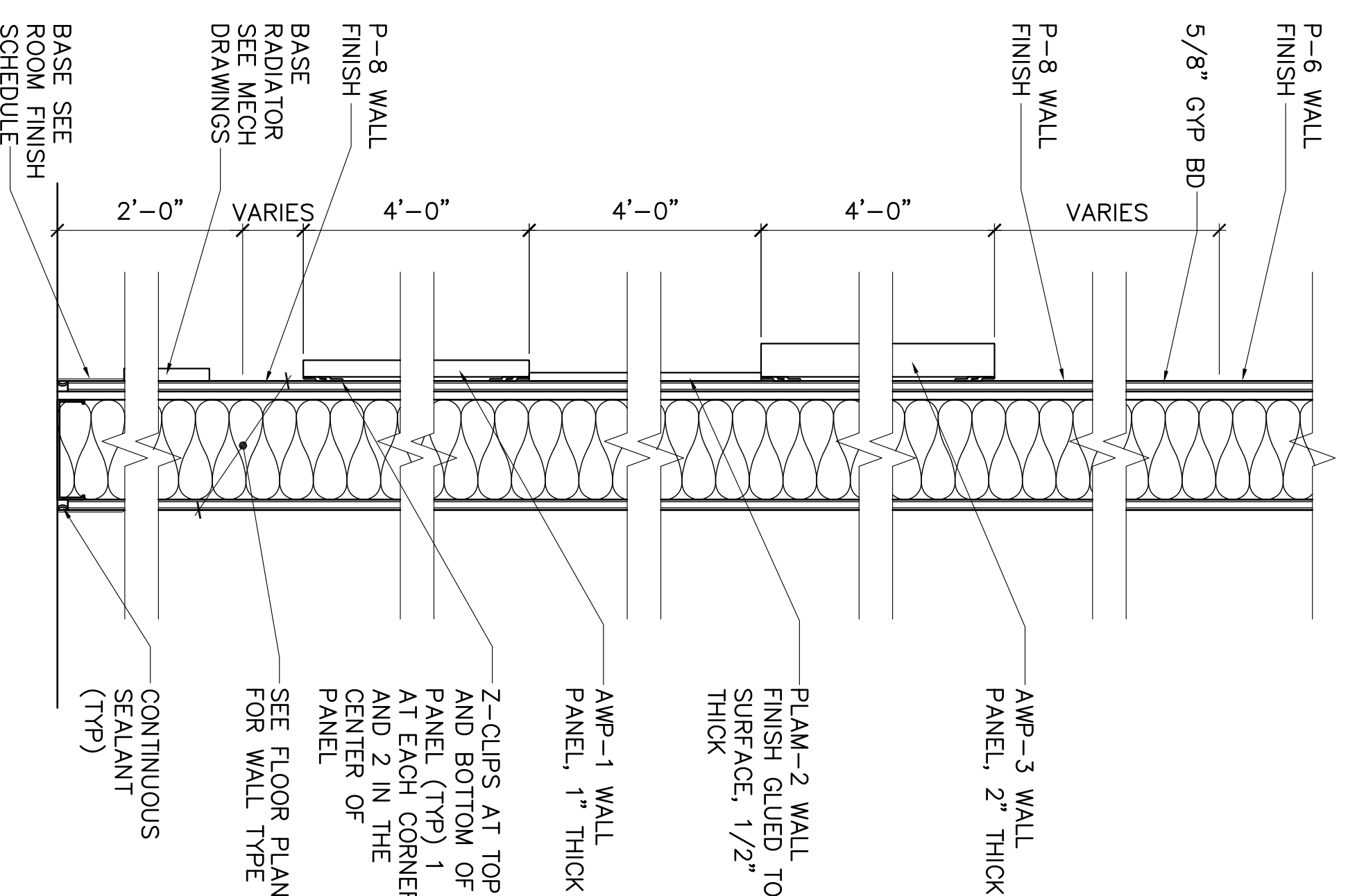
7 WALL DETAIL
 AE401/AE401 SCALE: 3/4"=1'-0"



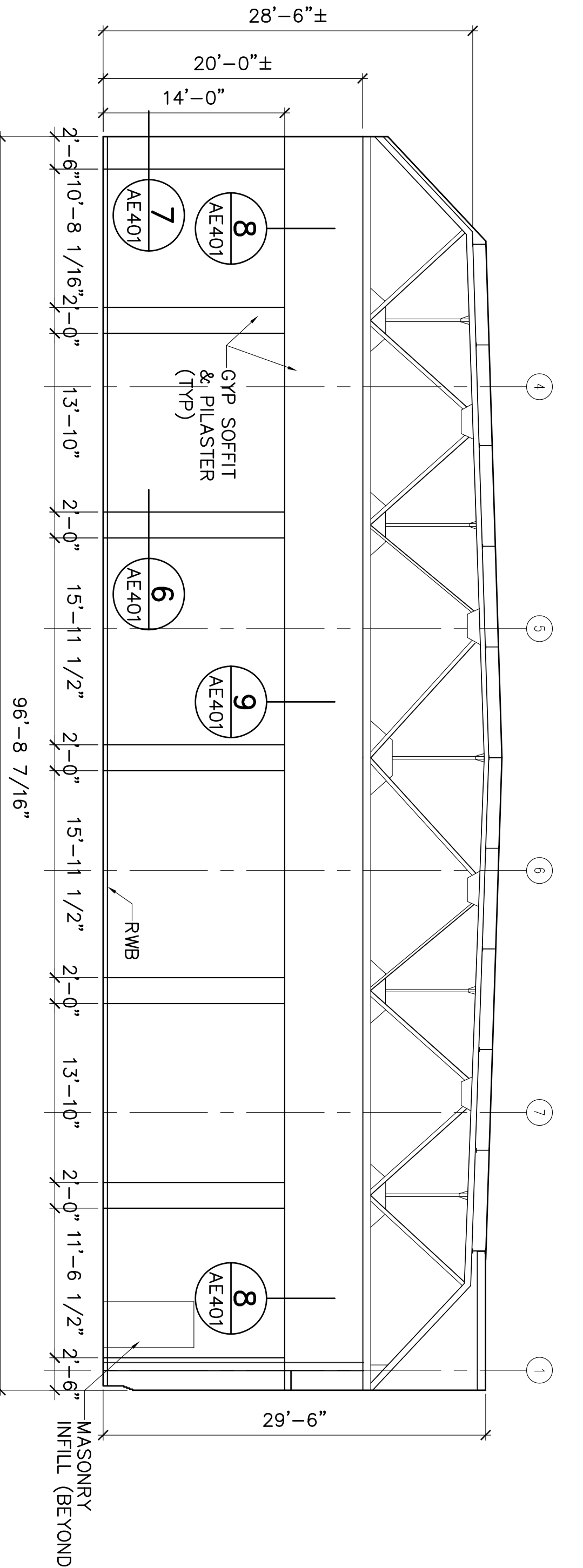
8 WALL SECTION
 AE401/AE401 SCALE: 3/4"=1'-0"



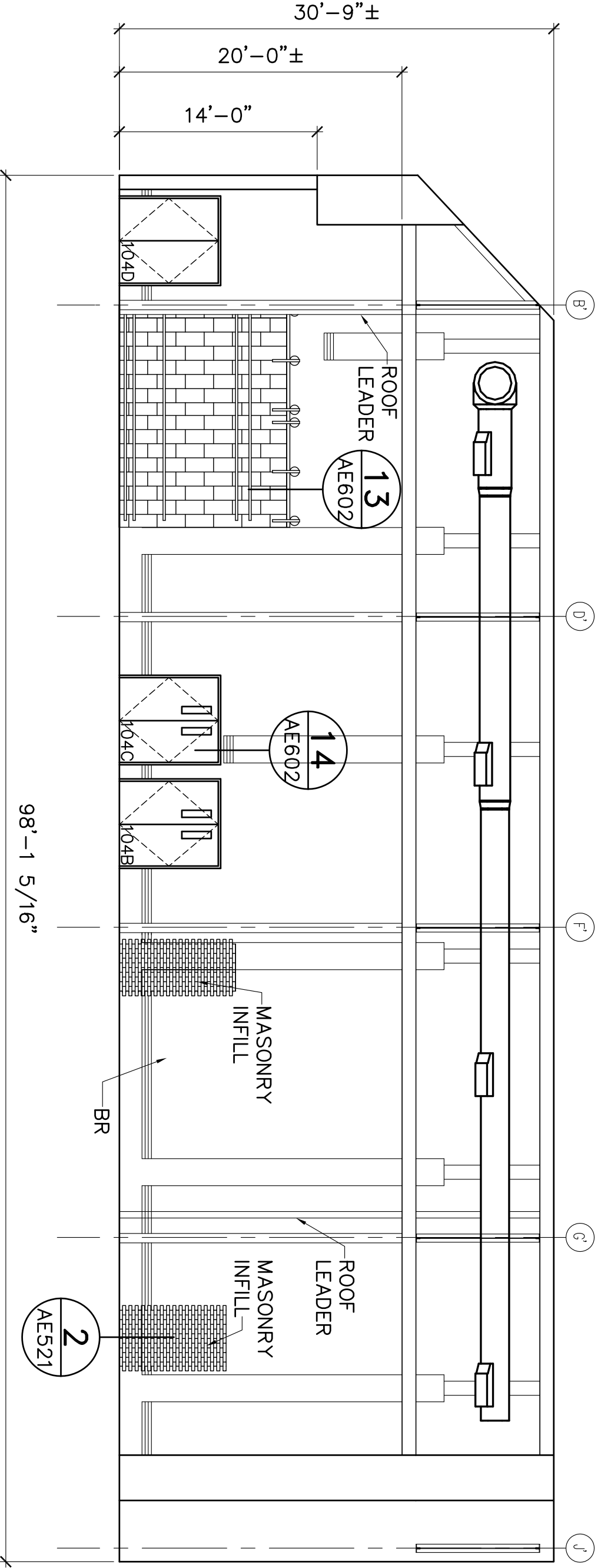
9 WALL SECTION
 AE401/AE401 SCALE: 3/4"=1'-0"



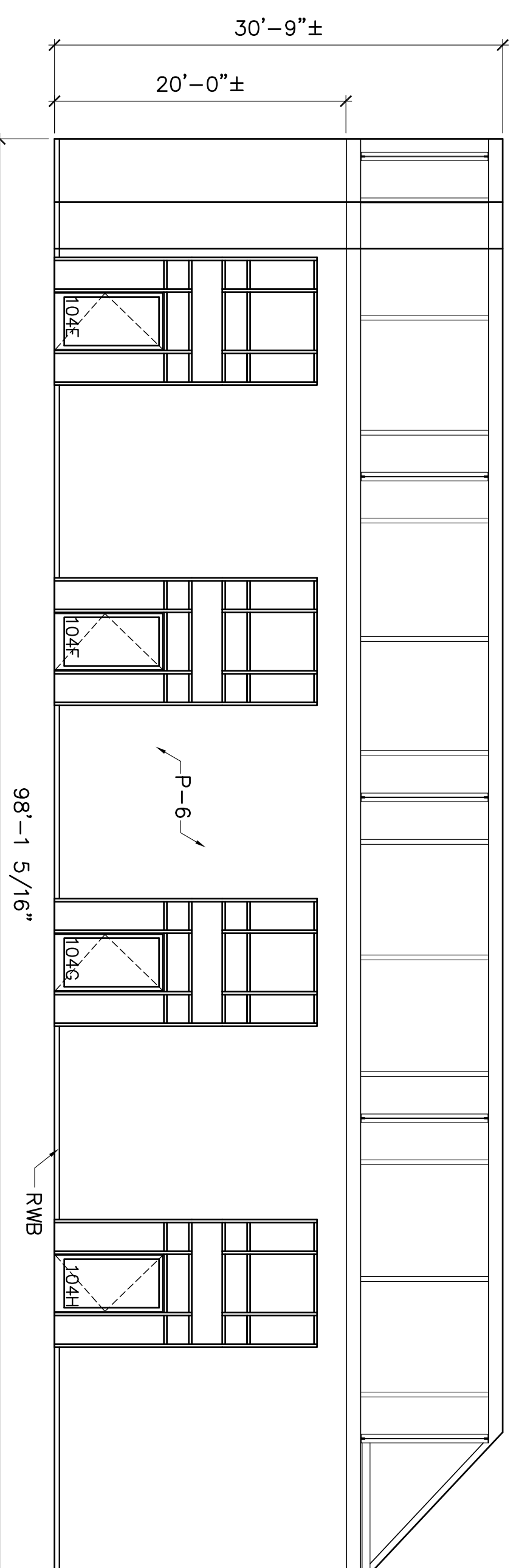
10 WALL SECTION
 AE401/AE401 SCALE: 1-1/2"=1'-0"



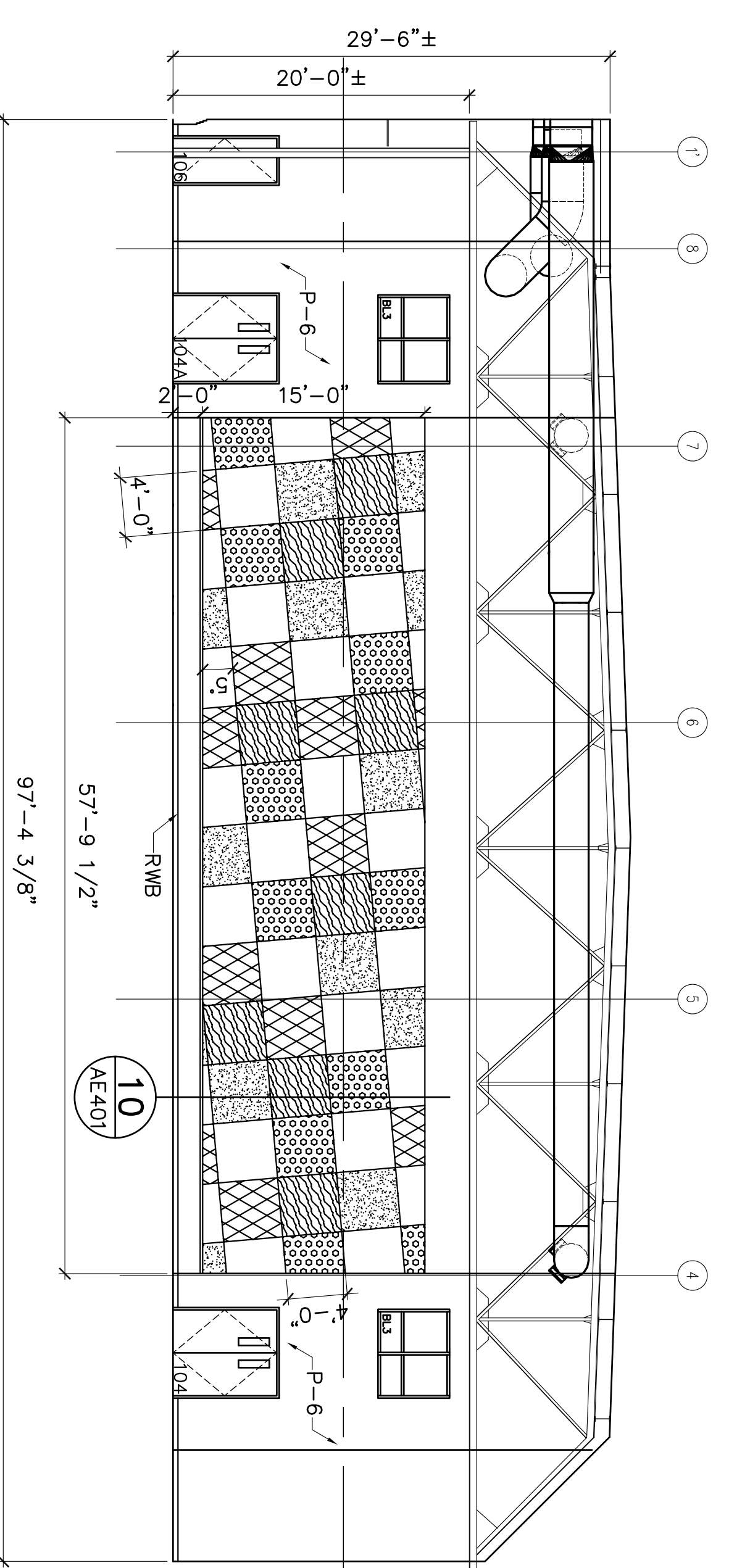
2 FUNCTION ROOM ELEVATION
 AE401/AE401 SCALE: 1/8"=1'-0"



3 FUNCTION ROOM ELEVATION
 AE401/AE401 SCALE: 1/8"=1'-0"



4 FUNCTION ROOM ELEVATION
 AE401/AE401 SCALE: 1/8"=1'-0"



5 FUNCTION ROOM ELEVATION
 AE401/AE401 SCALE: 1/8"=1'-0"

