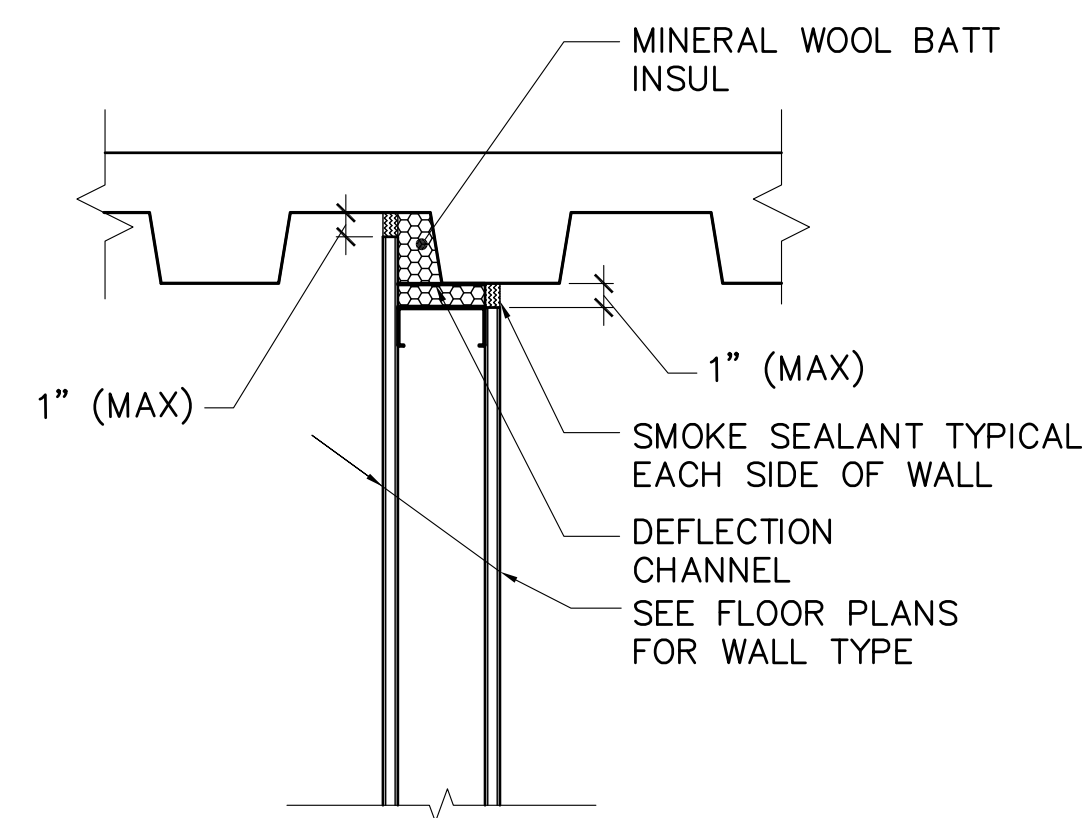
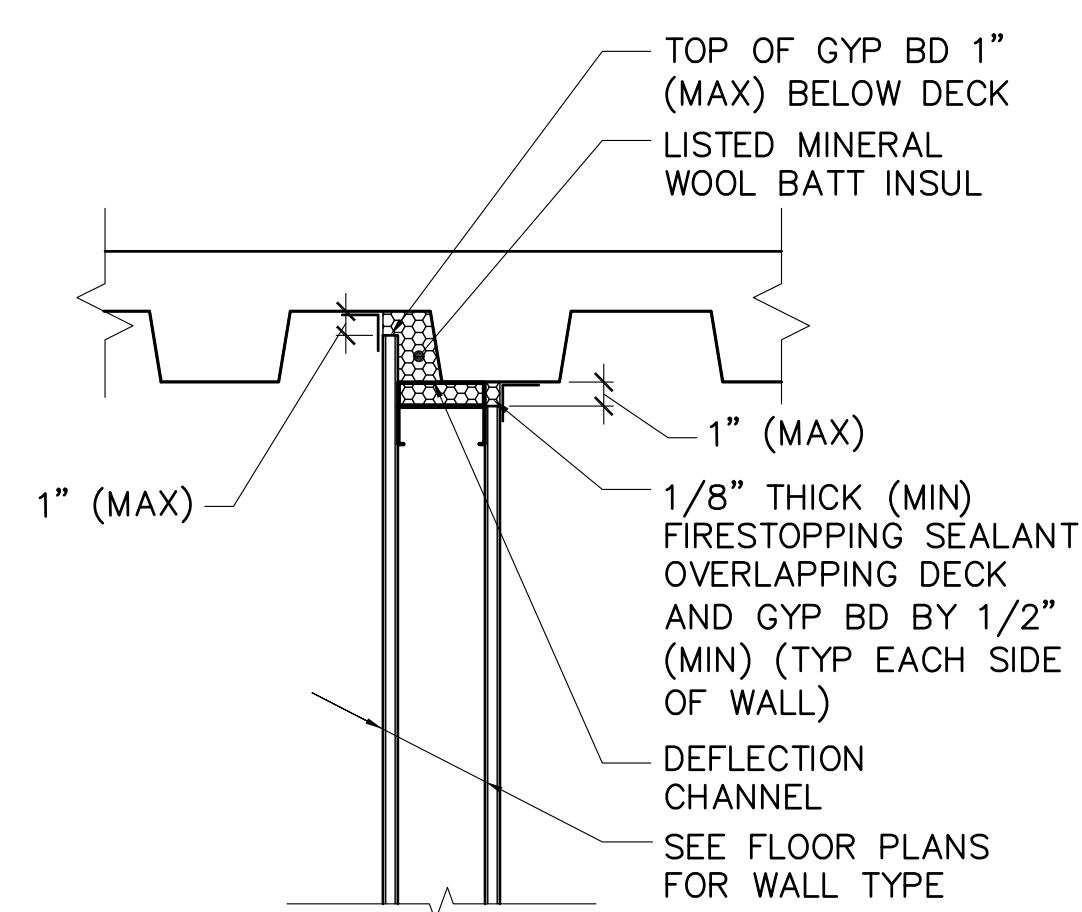


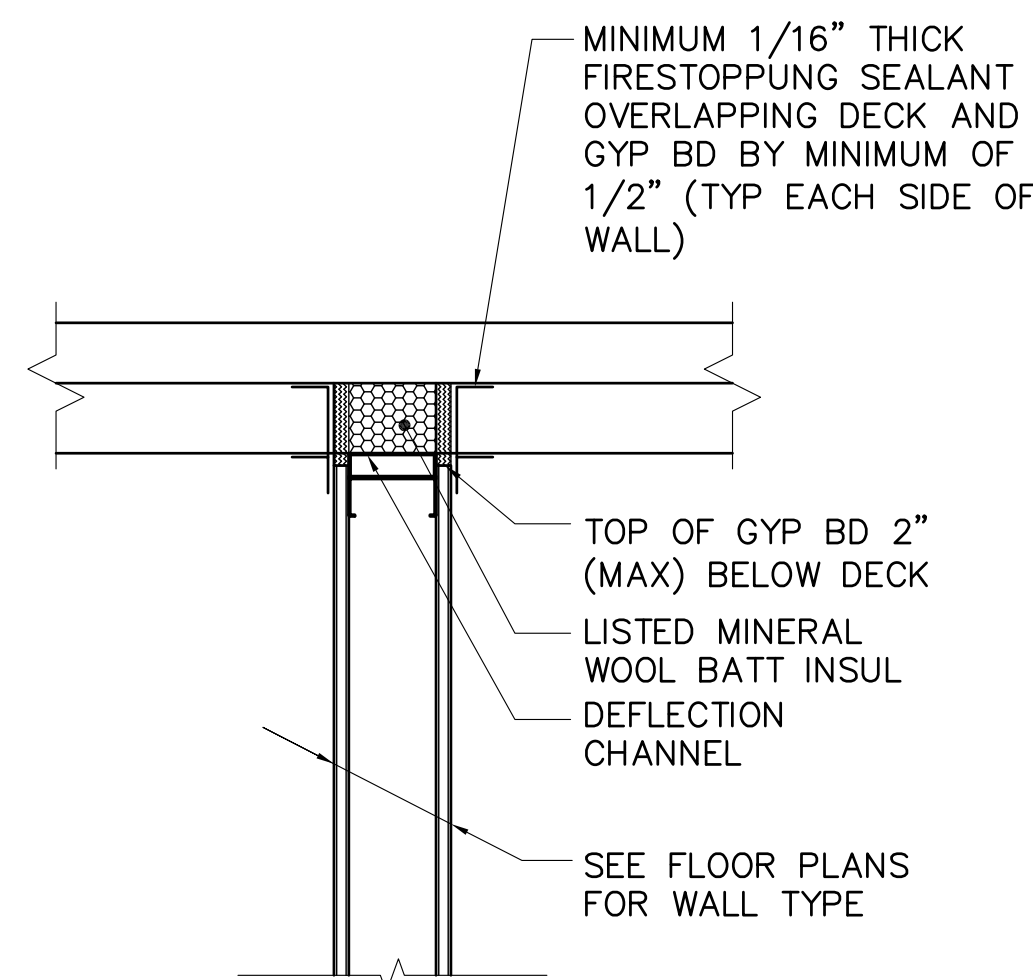
1 AND 2 HOUR FIRE RATED CMU/REINFORCED CONCRETE PARTITION HEAD OF WALL JOINT
 AE002 SCALE: 1-1/2"=1'-0" (SIM UL HW-D-0110)



GYPSUM PARTITION SMOKE/NON FIRE-RATED
 A

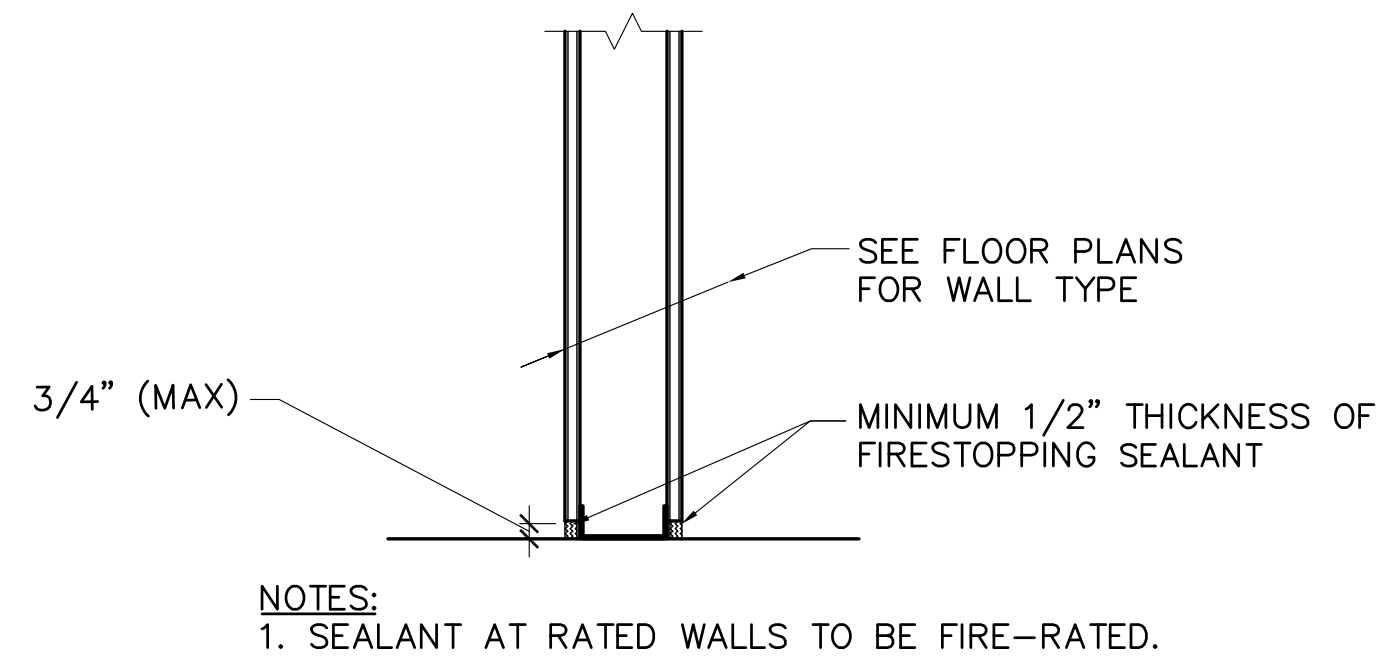


PARTITION PARALLEL TO FLUTES 1 OR 2 HOUR FIRE-RATED
 B
 UL HW-D-0365 (GYP BD)
 SIM UL HW-D-0366 (CMU)

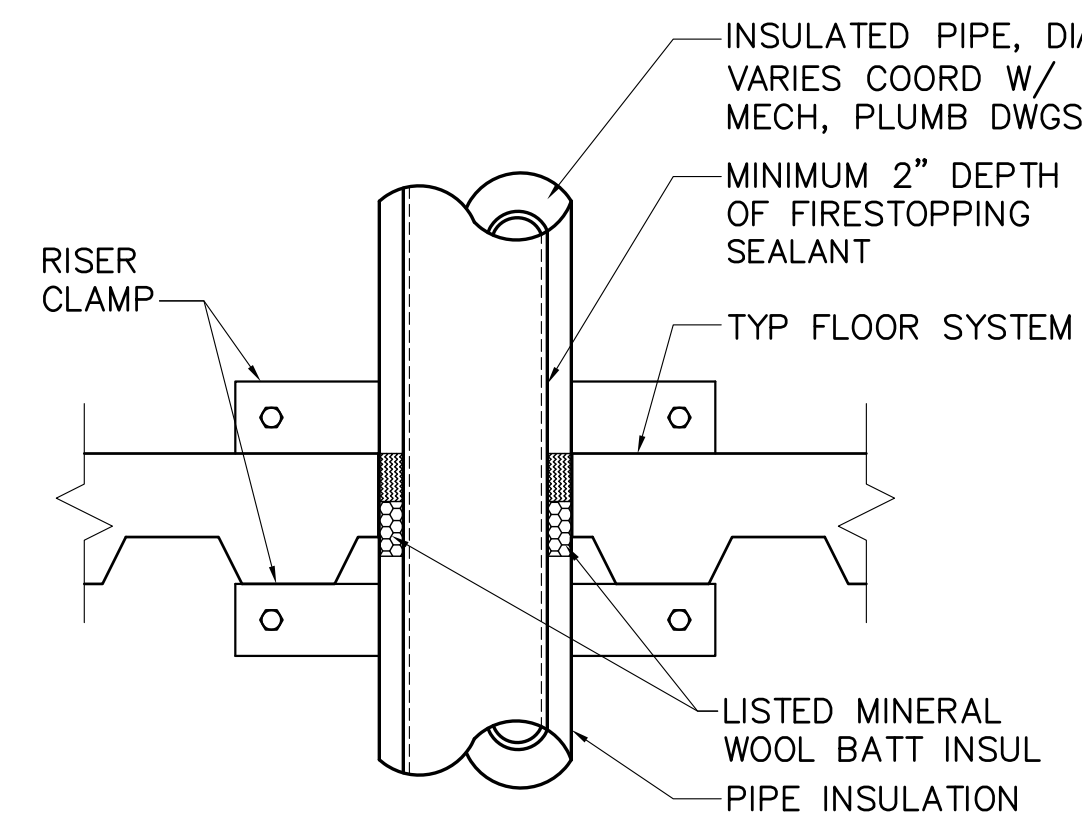


PARTITION PERPENDICULAR TO FLUTES 1 OR 2 HOUR FIRE-RATED
 C
 UL HW-D-0043 (GYP BD)
 SIM UL HW-D-0086 (CMU)

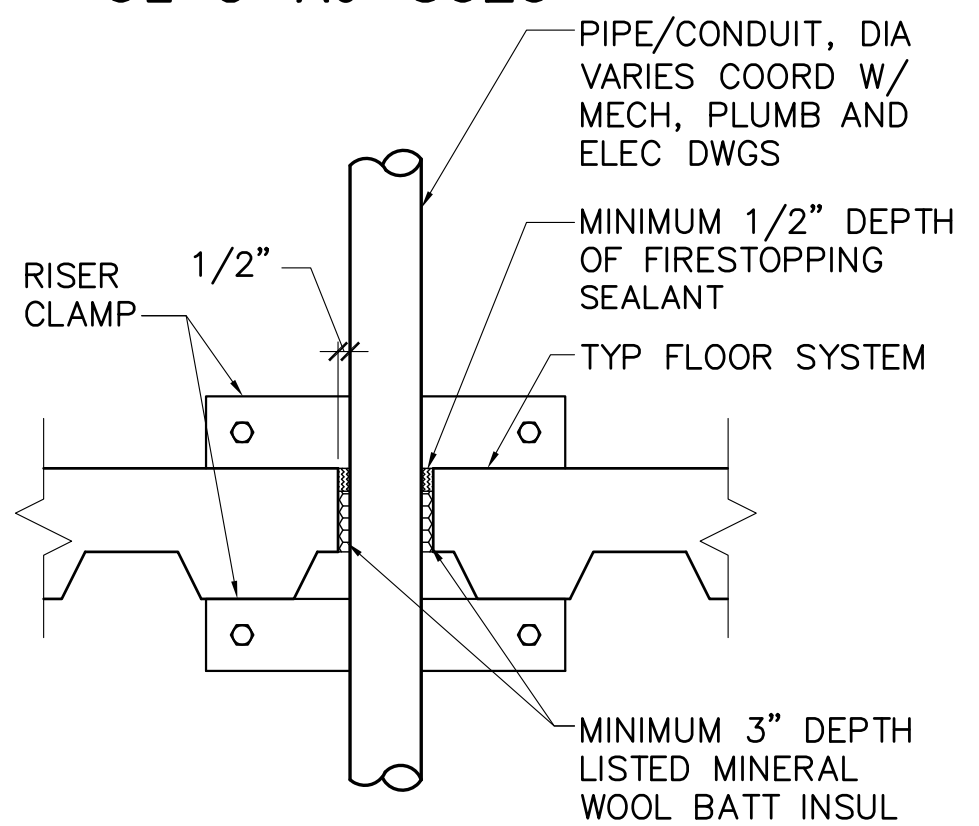
2 TOP OF WALL DETAILS
 AE002 SCALE: 1-1/2"=1'-0"



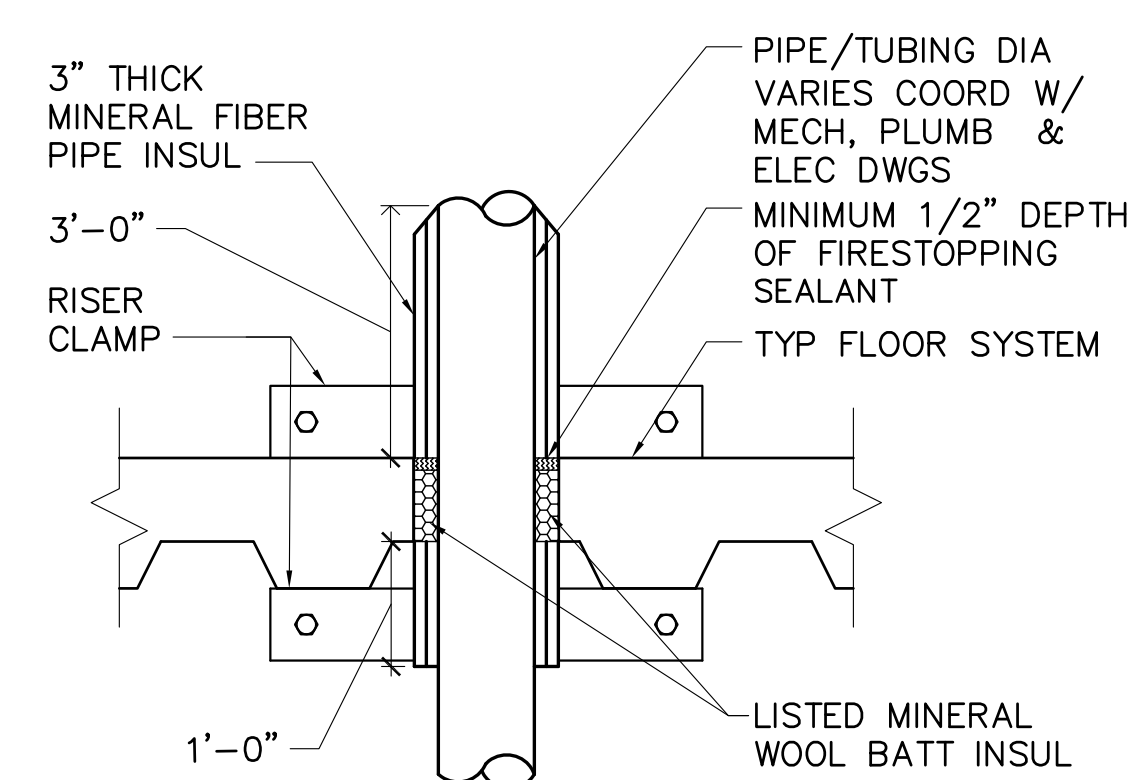
3 BOTTOM OF WALL DETAIL
 AE002 SCALE: 1-1/2"=1'-0" UL BW-S-0003



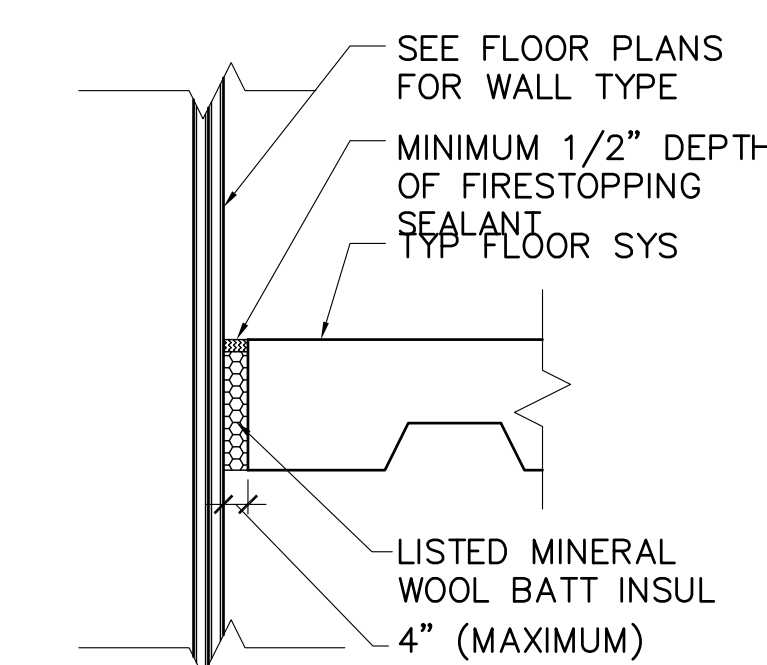
**INSULATED (6\"/>
 A
 UL C-AJ-5029**



BARE PIPING/ CONDUIT W/ F RATING
 B
 SIM UL C-AJ-1079

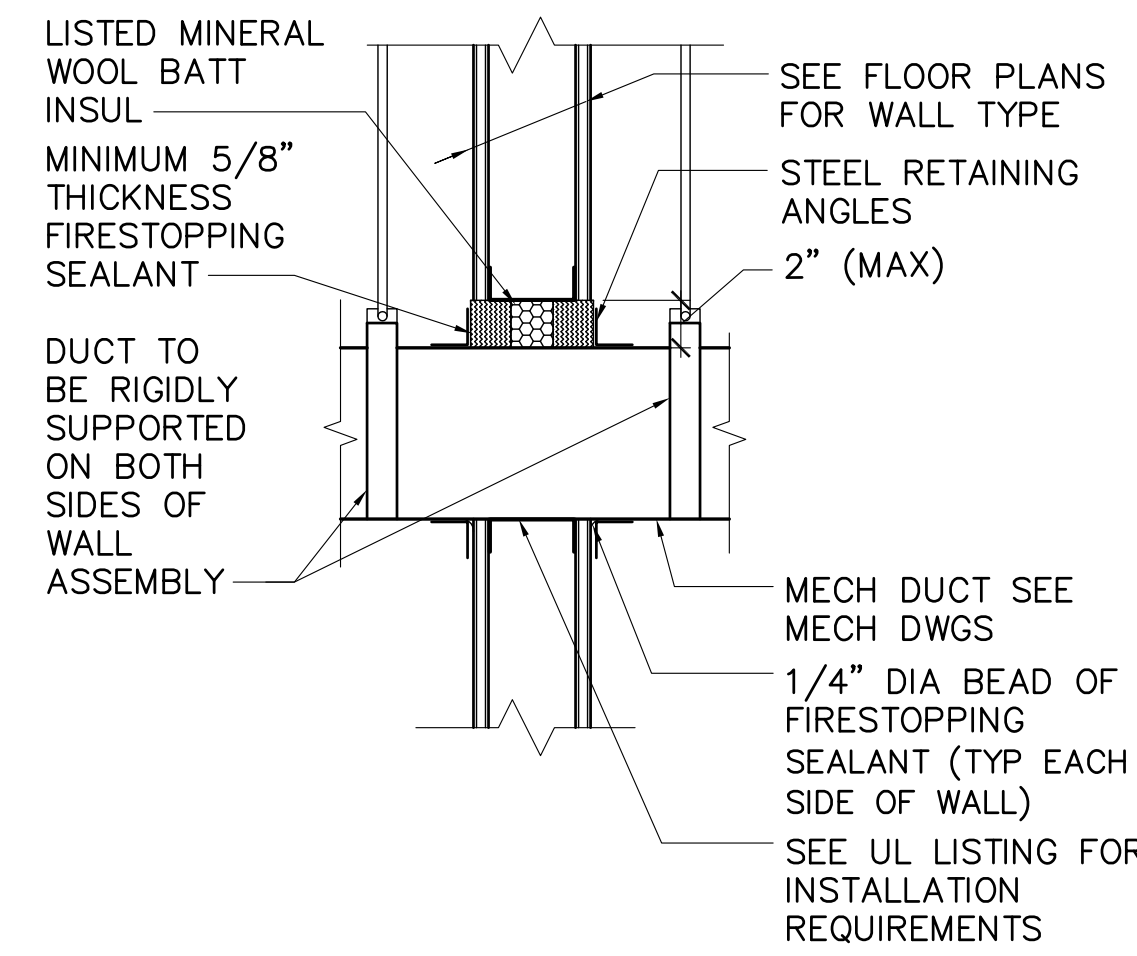


PIPING/TUBING W/ F RATING AND T RATING
 C
 UL C-AJ-1506

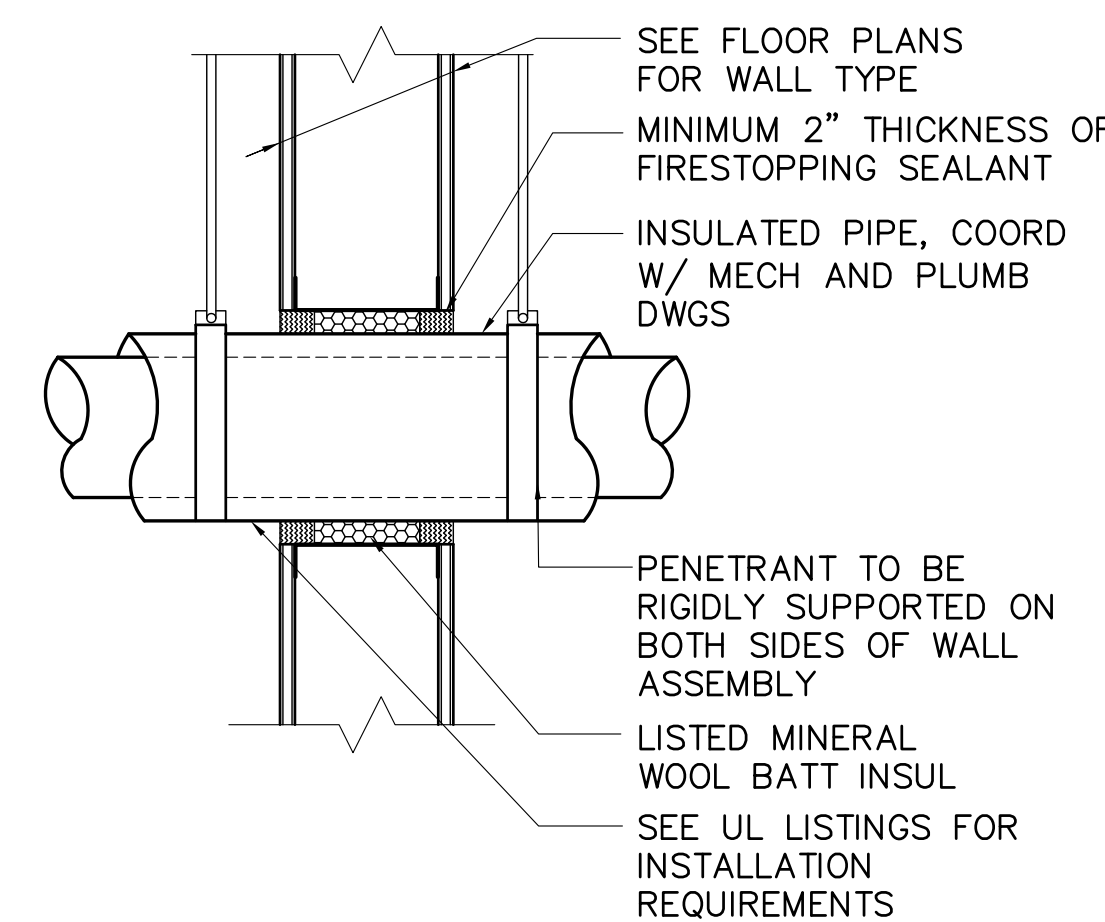


INTERIOR WALL INTERSECTION
 D
 SIM UL FW-D-1007

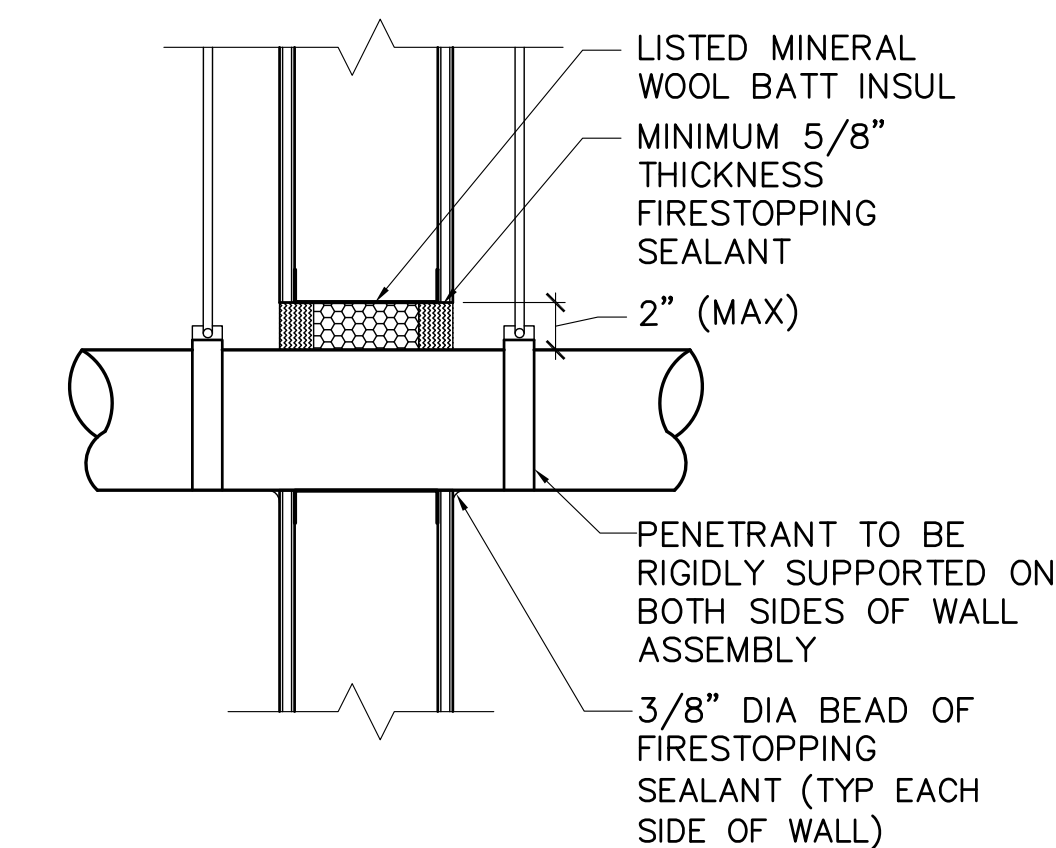
4 TYP FLOOR PENETRATION FIRESTOPPING DETAILS
 AE003 SCALE: 1-1/2"=1'-0"



A DUCT/WALL PENETRATION
 SIM UL W-L-7025 (GYP BD)
 SIM UL W-J-7007 (CMU)



B INSULATED PIPE
 SIM UL W-L-5014 (GYP BD)
 SIM UL C-AJ-5029 (CMU)

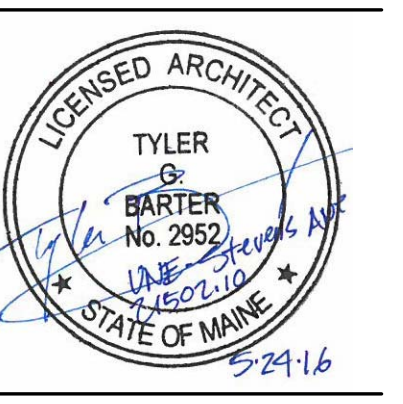


C BARE PIPE AND CONDUIT W/ F RATING
 UL W-L-1049 (GYP BD)
 SIM UL C-AJ-1080 (CMU)

5 PENETRATION DETAIL
 AE003 SCALE: 1-1/2"=1'-0"

GENERAL NOTES:

- TO ENSURE CONTINUITY OF FIRE-RATED CONSTRUCTION BOUNDARIES, FIRESTOP PENETRATIONS OF AND JOINTS BETWEEN RATED CONSTRUCTION. IN ADDITION TO THE FIRESTOPPING INDICATED ELSEWHERE, THESE LOCATIONS INCLUDE, BUT ARE NOT LIMITED TO:
 - SHAFT WALL CEILING TO GYPSUM WALL
 - SHAFT WALL CEILING TO CMU WALL
 - RATED GYPSUM BOARD WALL TO EXTERIOR WALL
 - RATED GYPSUM BOARD WALL TO CMU WALL
 - EXPANSION JOINTS IN RATED CMU WALL
 - FLOOR SLAB TO EXTERIOR WALL
- REFER TO UL LISTINGS FOR FULL REQUIREMENTS.
- REFER TO SHEETS G100-G104 FOR FIRE RATING REQUIREMENTS.



DESIGNED BY: TGB
 DRAWN BY: DEM
 CHECKED BY: TGB
 PROJECT: 21502.10

UNIVERSITY OF NEW ENGLAND
 PORTLAND CAMPUS
 STEVEN AVENUE ARMORY
 718 STEVENS AVE
 PORTLAND, MAINE 04103
 1(207)285-0171

RENOVATIONS TO THE
 STEVENS AVENUE ARMORY

WALL PENETRATION DETAILS

SCALE: AS NOTED
 DATE: 05-24-16

DWG. AE003

SHEET: 56 OF 169

