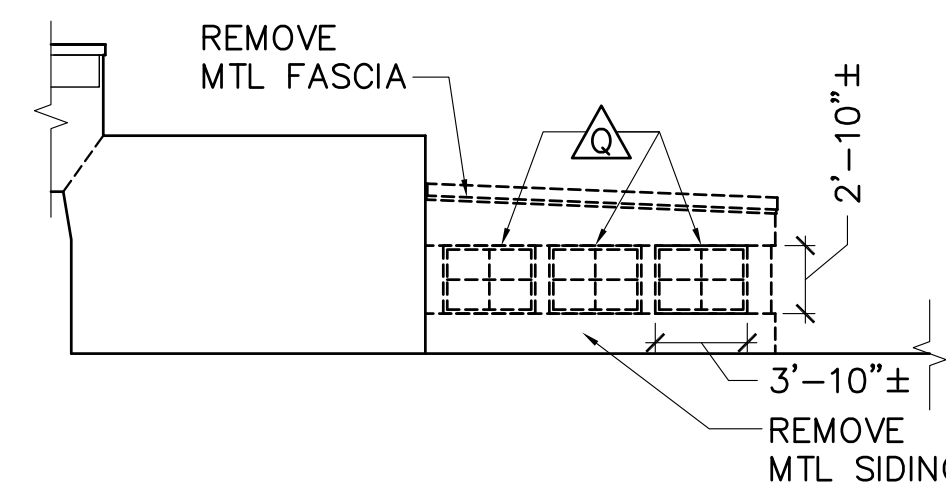
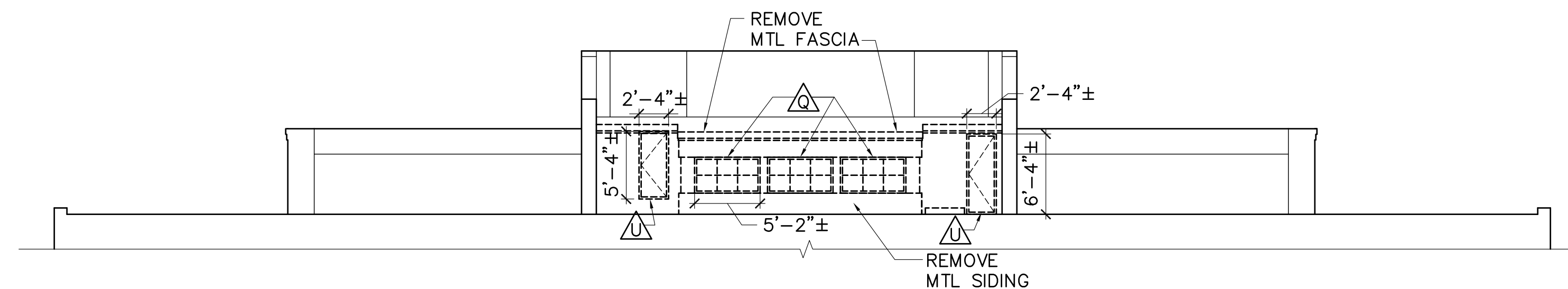


1 REMOVALS WEST ELEVATION
 AD202 SCALE: 1/8"=1'-0"

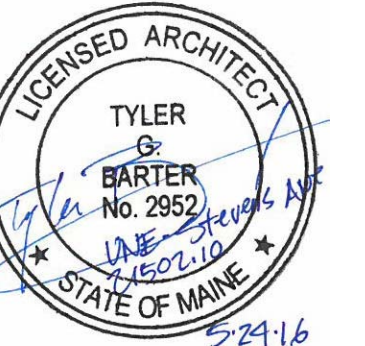
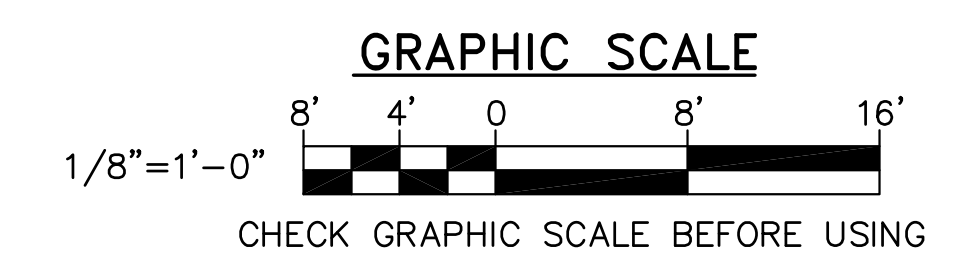
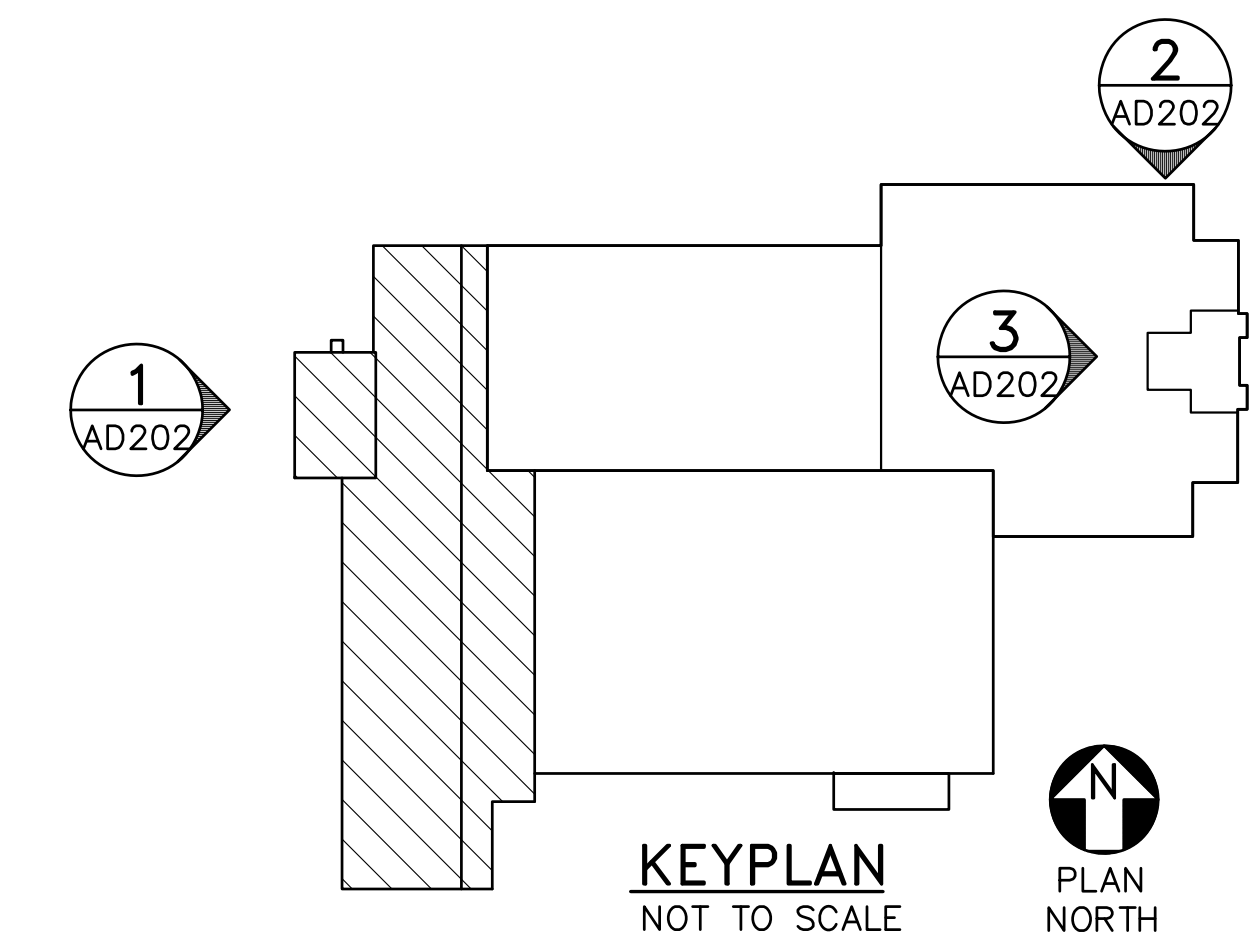


2 REMOVALS NORTH PENTHOUSE ELEVATION
 AD202 SCALE: 1/8"=1'-0"



3 REMOVALS WEST PENTHOUSE ELEVATION
 AD202 SCALE: 1/8"=1'-0"

GENERAL NOTES:
 1. SEE SHEET AD201 FOR REMOVAL KEYNOTES.



DESIGNED BY: TGB
 DRAWN BY: TGB
 CHECKED BY: TGB
 PROJECT: 21502.10

**UNIVERSITY OF NEW ENGLAND
 PORTLAND CAMPUS**
 STEVEN AVENUE ARMORY
 718 STEVENS AVE
 PORTLAND, MAINE 04103
 (1) 207-283-0171

**RENOVATIONS TO THE
 STEVENS AVENUE ARMORY**

**REMOVALS
 EXTERIOR
 BUILDING
 ELEVATIONS**

SCALE: AS NOTED
 DATE: 05-24-16

DWG. **AD202**

SHEET: **52** OF 169