

**allied engineering, inc.**  
 FULL SERVICE CONSULTING ENGINEERS  
 STRUCTURAL • MECHANICAL • ELECTRICAL • ENVIRONMENTAL • CONSTRUCTION ADMINISTRATION  
 One Westbrook Common, Westbrook, Maine 04092-0001  
 Phone: 603-686-6100 • Fax: 603-686-6100  
 Email: info@alliedeng.com • www.alliedeng.com

REVISIONS

Date: APRIL 2, 2004

Drawn By: JJM

Checked By: WPF

Project Mgr: WPF

Project No: 0207

Cad File: 020715E.dwg

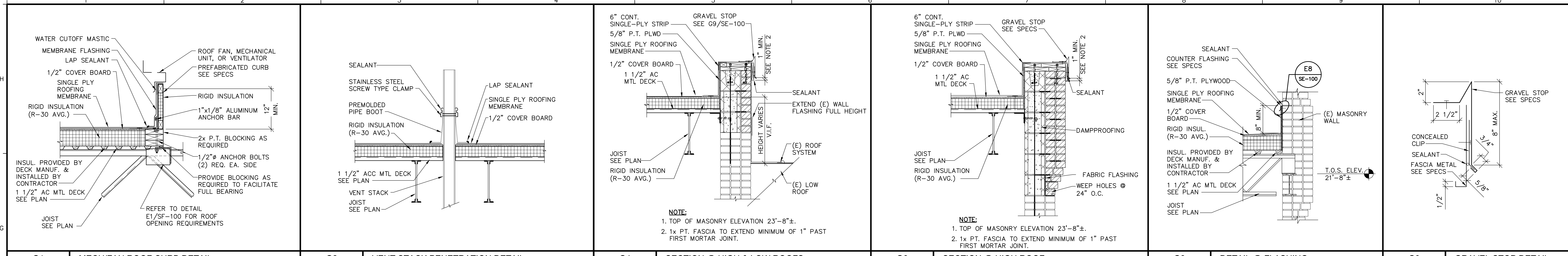
Graphic Scale: 1" = 0'

© Copyright 2002 Allied Consulting, Inc.

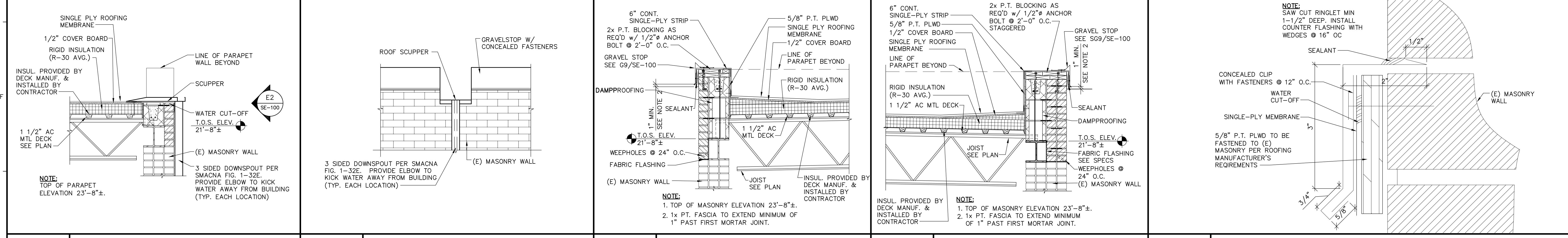
ROOF PLAN  
 VEHICLE MAINTENANCE

ARMORY RE-ROOFING  
 STEVENS AVE  
 PORTLAND, MAINE

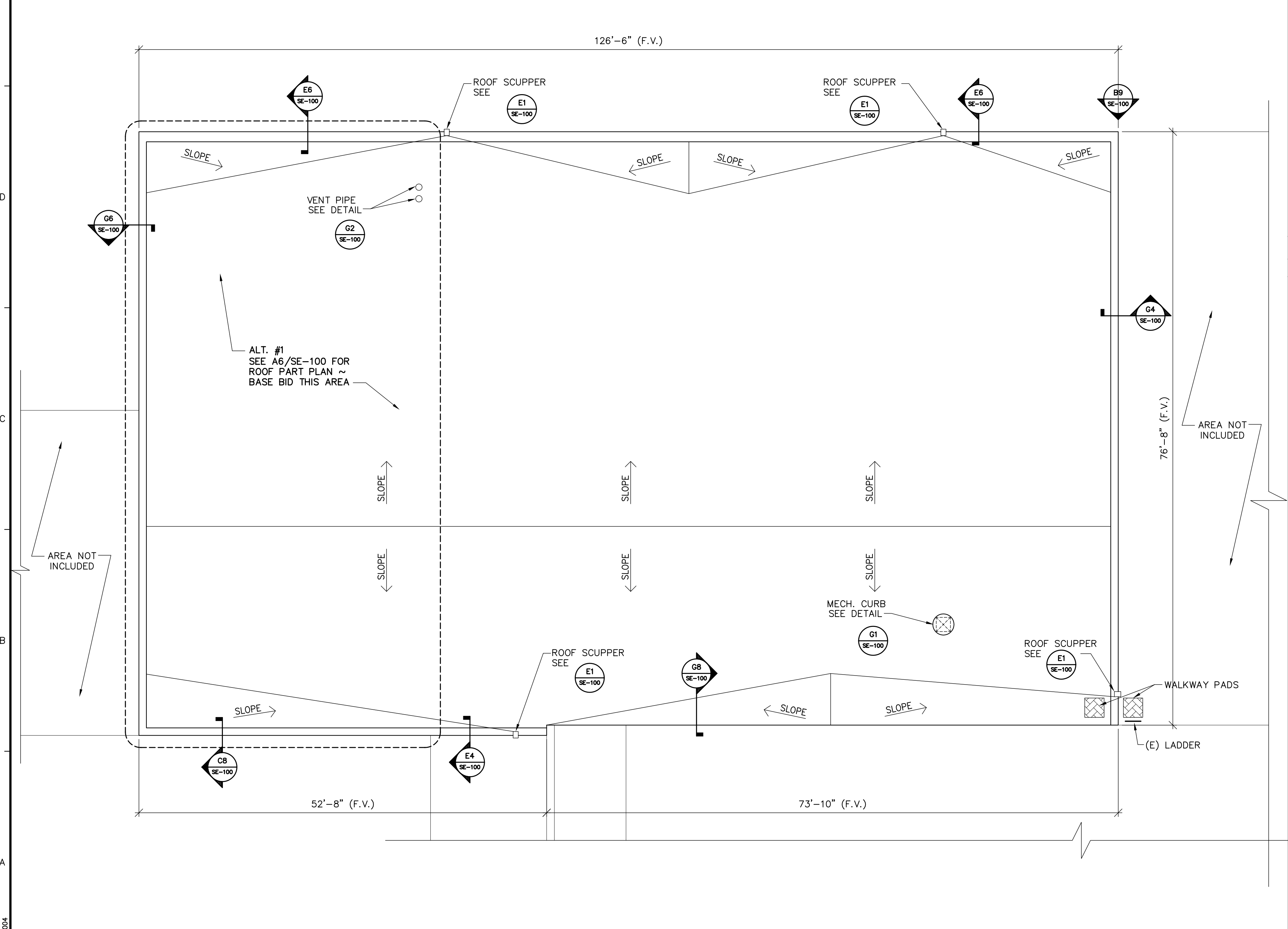
**SE-100**



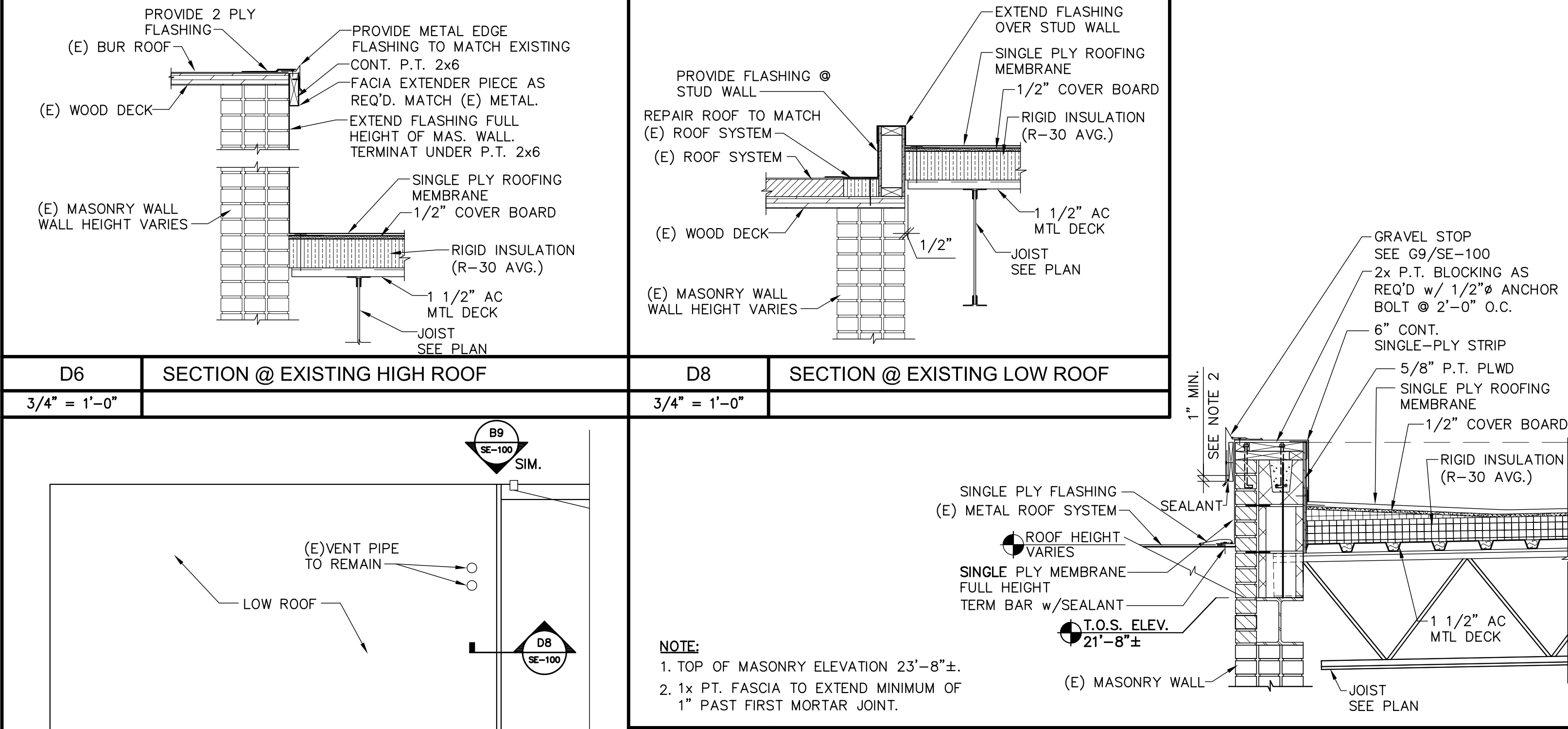
G1	MECH/FAN ROOF CURB DETAIL	G2	VENT STACK PENETRATION DETAIL	G4	SECTION @ HIGH & LOW ROOFS	G6	SECTION @ HIGH ROOF	G8	DETAIL @ FLASHING	G9	GRAVEL STOP DETAIL
N.T.S.		3/4" = 1'-0"		3/4" = 1'-0"		3/4" = 1'-0"		3/4" = 1'-0"		3" = 1'-0"	



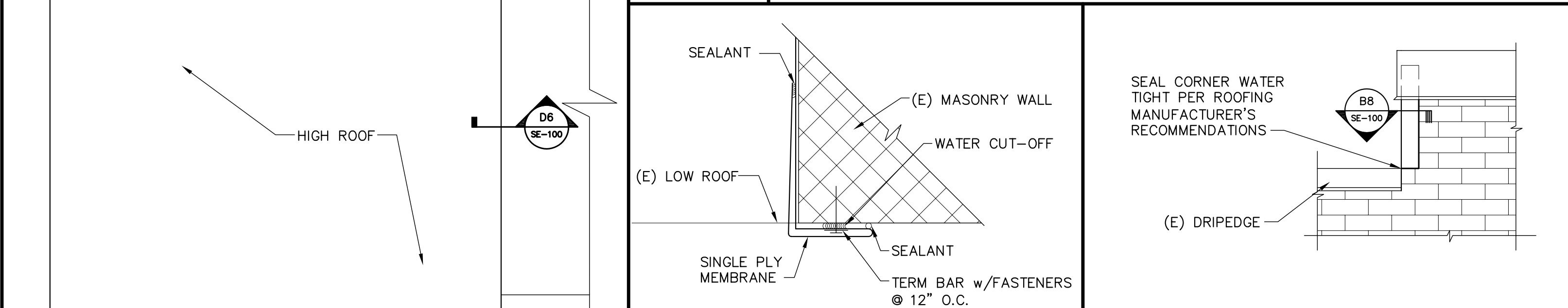
E1	DETAIL @ ROOF SCUPPER	E2	ELEVATION @ ROOF SCUPPER	E4	SECTION @ JOIST	E6	SECTION @ JOIST	E8	COUNTER FLASHING DETAIL
3/4" = 1'-0"		3/4" = 1'-0"		3/4" = 1'-0"		3/4" = 1'-0"		N.T.S.	



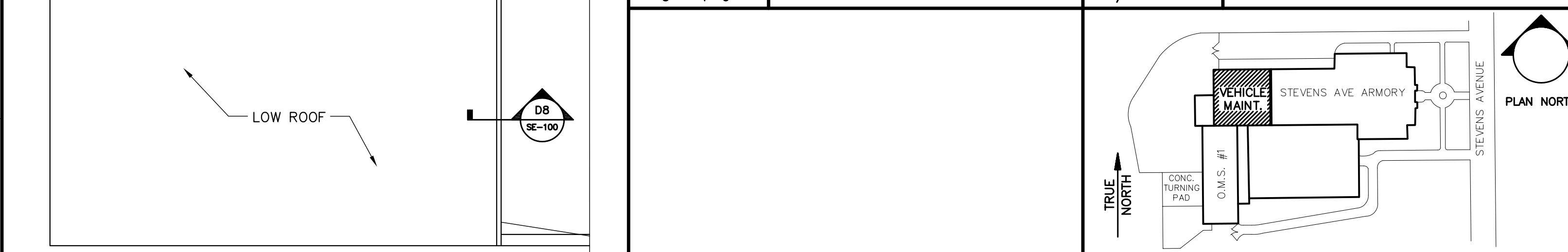
A1	ROOF PLAN	A6	ROOF PART PLAN - BASE BID
1/8" = 1'-0"		1/8" = 1'-0"	



D6	SECTION @ EXISTING HIGH ROOF	D8	SECTION @ EXISTING LOW ROOF	C8	SECTION @ HIGH AND LOW ROOFS
3/4" = 1'-0"		3/4" = 1'-0"		3/4" = 1'-0"	



B8	SECTION @ CORNER	B9	CORNER @ HIGH & LOW ROOFS
3" = 1'-0"		3/4" = 1'-0"	



A9	KEYPLAN
----	---------