

ELECTRICAL LEGEND:

LIGHTING

2 1/4" FLUORESCENT LIGHT FIXTURE. 'A' DENOTES FIXTURE TYPE. 'T' DENOTES CIRCUIT NUMBER. '100' DENOTE SWITCH CONTROLLERS. '0' - OUTSIDE LAMPS '1' - INSIDE LAMPS...

LIGHTING CONTROL SYSTEM

CEILING MOUNTED PASSIVE INFRARED / ULTRASONIC OCCUPANCY SENSOR WATT STOPPER NO. DT-300 PROVIDED WITH WATT STOPPER POWER PACK = BZ-100 OR EQUAL...

POWER (CONT.)

GROUND FAULT INTERRUPTING (GFI) TYPE DUPLEX CONVENIENCE OUTLET. MOUNTED 48" ABOVE FINISHED FLOOR. SEE NOMENCLATURE ABOVE...

DATA/ COMMUNICATION/ SECURITY (CONT.)

ELECTRIC DOOR STRIKE. DOOR CONTACT (DOOR BUG). WINDOW CONTACT (WINDOW BUG). 3 BUTTON DWELLING UNIT INTERCOM STATION...

WIRING

HOMERUN - CABLE. LPI - DENOTES PANELBOARD. 'L3' - DENOTES CIRCUITS. 'TICKS' INDICATE NUMBER OF CONDUCTORS IN THE RUN...

ABBREVIATIONS & NOTATION

MECHANICAL EQUIPMENT DESIGNATION CONTENTS DESCRIBE MACHINERY (BY MECHANICAL ENGINEER). REVISION TAG '1' - DENOTES REVISION NUMBER...

GENERAL NOTES

- 1. PERFORM ALL WORK IN ACCORDANCE WITH NATIONAL AND STATE ELECTRICAL CODES, LOCAL ORDINANCES, AND REQUIREMENTS OF THE WRING INSPECTOR.



65 NEWBURY STREET PORTLAND, ME 04101 207.761.9000 info@portcityarch.com WWW.PORTCITYARCH.COM



- CONSULTANTS Kahler Slater BECKER Vincent A. Dilorio Inc. ED HE

Site Design Associates 23 Whitney Way Topsham, Maine 04086 207-449-4275

REVISIONS table with columns: No., Description, Date. Includes Addendum #8, Addendum #9, and First Floor Redesign.

CONSTRUCTION DOCUMENTS

UNIVERSITY OF NEW ENGLAND PORTLAND, MAINE PATIENT CARE CENTER INTERIOR FIT-OUT

ELECTRICAL LEGEND, NOTES & SCHEDULES

Project Number 12502 Date January 9, 2013 Drawn by JMS Checked by VADjr

E0.01 Scale N.T.S.

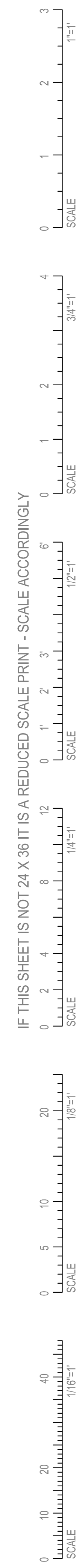
LIGHTING FIXTURE SCHEDULE

Table with columns: DESIG, MANUFACTURER, CATALOG NUMBER, MTG, VOLT, LAMP (QTY, DESCRIPTION), REMARKS. Lists various lighting fixtures like PAL, FSC, LUMTECH, and MARSET.

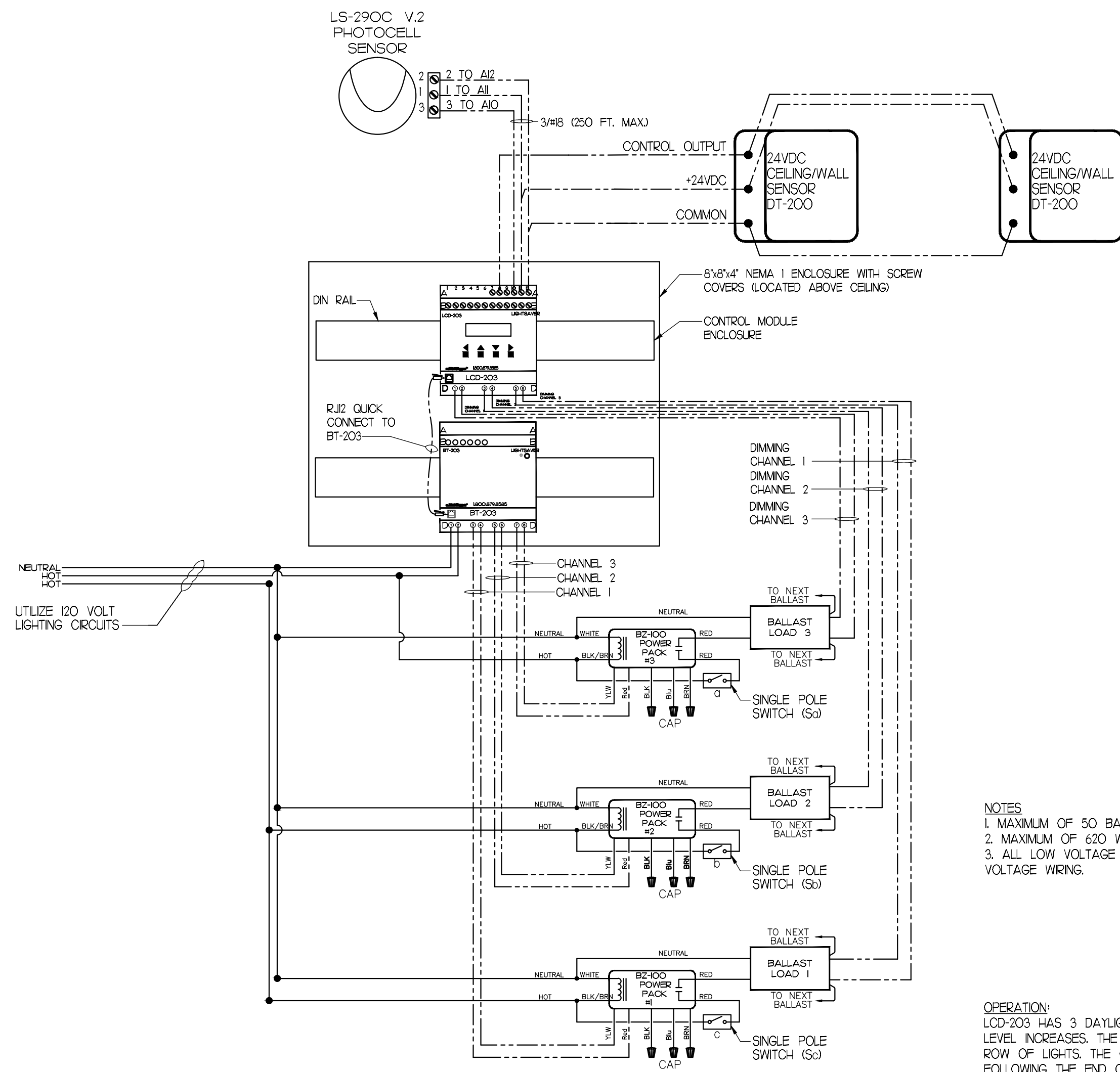
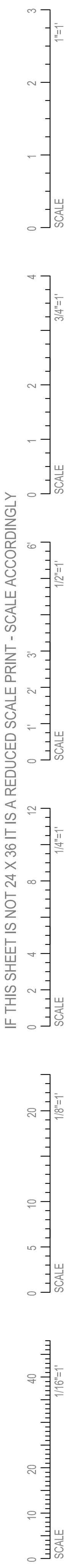
MOUNTING KEY: 'P' - PENDANT MOUNTED 'S' - SURFACE MOUNTED 'W' - WALL MOUNTED 'R' - RECESSED MOUNTED 'U' - UNIVERSAL MOUNTED

NOTE: ALL LAMPS TO BE MANUFACTURED BY GENERAL ELECTRIC, PHILLIPS OR SYLVANIA

IF THIS SHEET IS NOT 24 X 36 IT IS A REDUCED SCALE PRINT - SCALE ACCORDINGLY



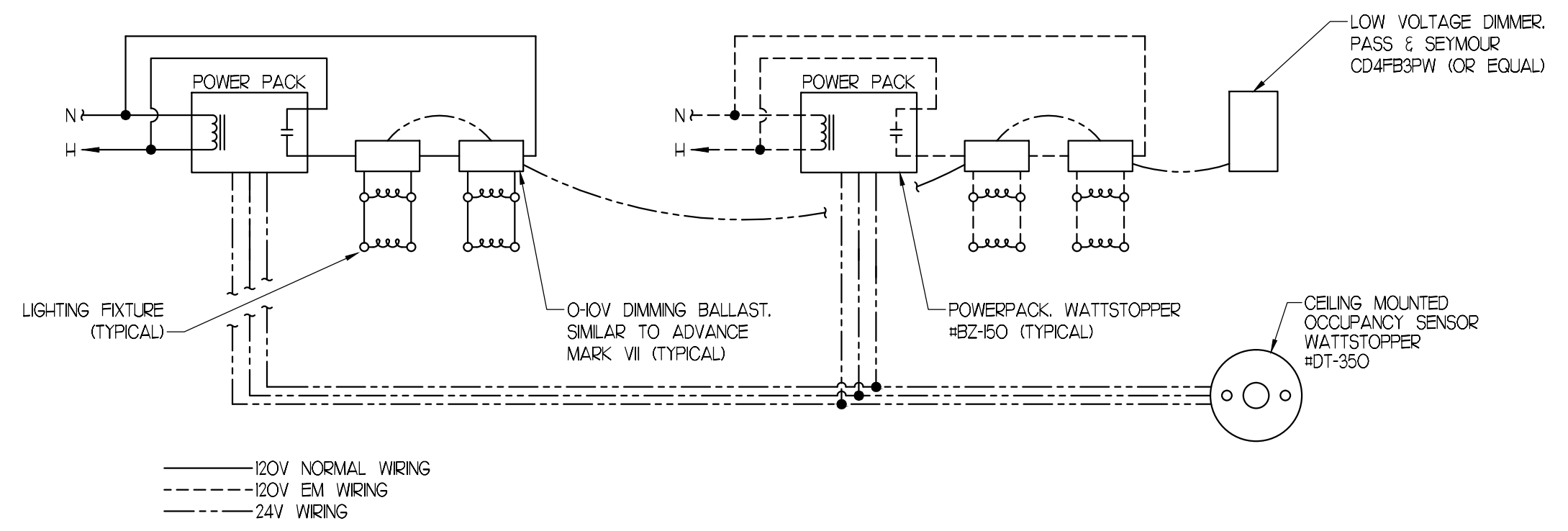
IF THIS SHEET IS NOT 24 X 36 IT IS A REDUCED SCALE PRINT - SCALE ACCORDINGLY



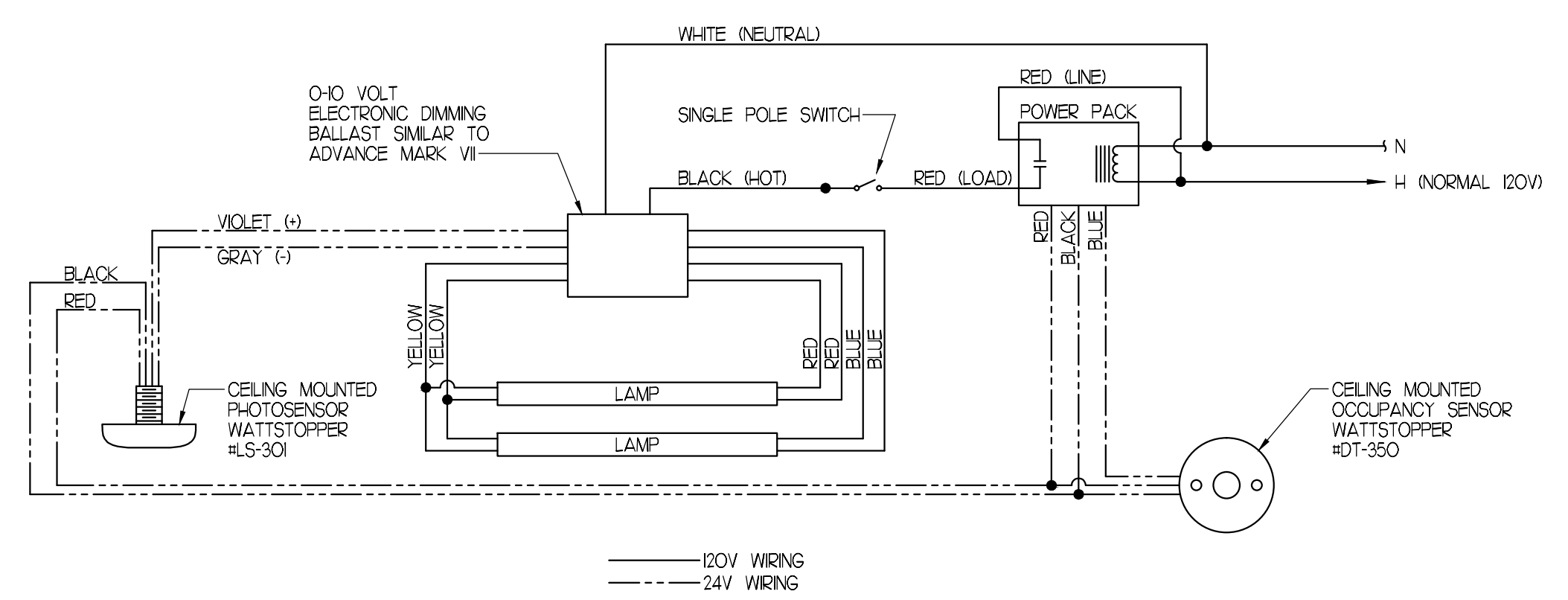
24V CEILING MOUNTED OCCUPANCY SENSOR W/ DAYLIGHT HARVESTING FOR 3 ROWS OF LIGHT FIXTURES
SCALE: NOT TO SCALE

- NOTES**
1. MAXIMUM OF 50 BALLASTS PER DIMMING CHANNEL.
 2. MAXIMUM OF 600 W PER BT-2003 RELAY.
 3. ALL LOW VOLTAGE WIRING MUST BE ISOLATED FROM LINE VOLTAGE WIRING.

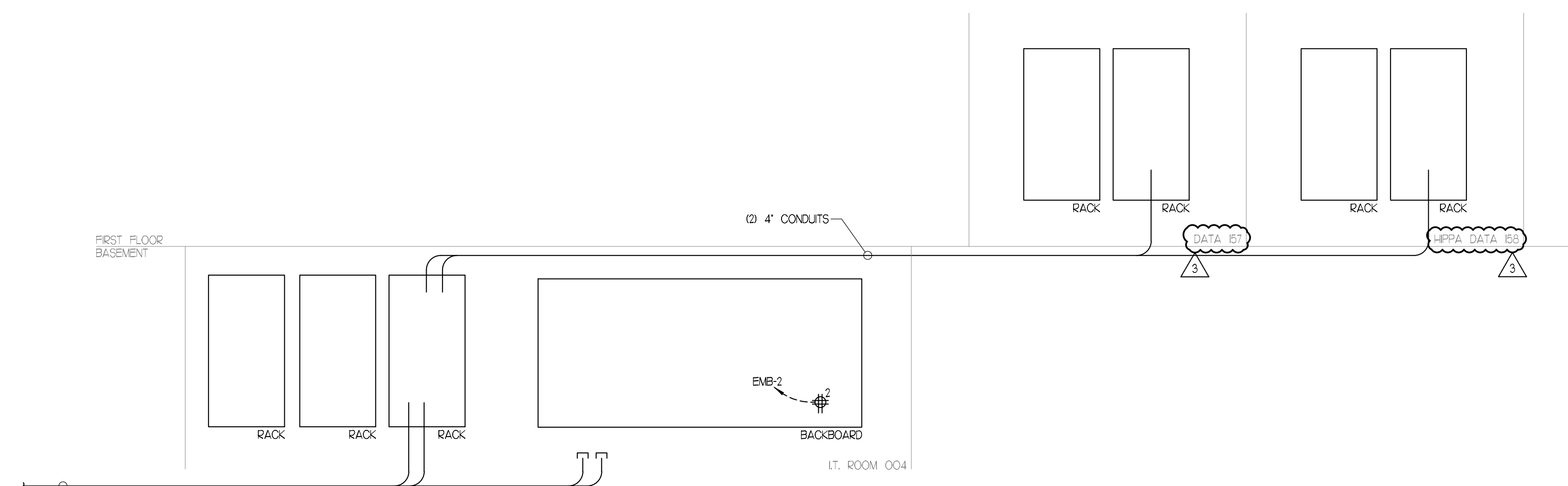
OPERATION:
LCD-2003 HAS 3 DAYLIGHT DIMMING ZONES. EACH ZONE WILL DIM AS THE DAYLIGHT LEVEL INCREASES. THE WALL SWITCHES WILL BE USED TO OVERRIDE (ON/OFF) EACH ROW OF LIGHTS. THE OCCUPANCY SENSORS AUTOMATICALLY TURN LIGHTS ON FOLLOWING THE END OF OCCUPANCY. THE LIGHTS DIM (FOR A USER ADJUSTABLE PERIOD) BEFORE SHUTTING OFF.



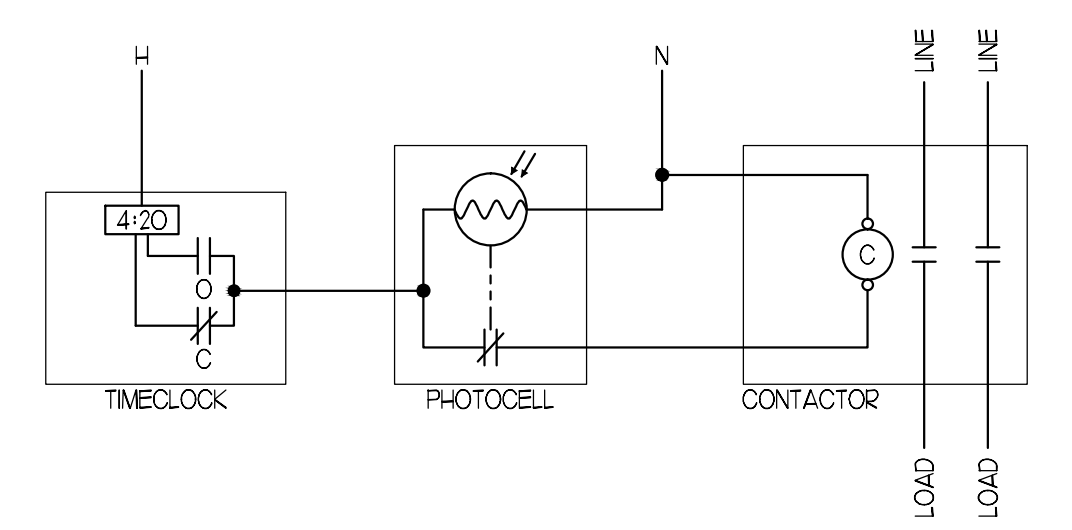
24.V OCCUPANCY SENSOR W/ DUAL POWER PACKS AND LOW VOLTAGE DIMMER
SCALE: NOT TO SCALE



24V CEILING MOUNTED OCCUPANCY SENSOR W/ DAYLIGHT HARVESTING
SCALE: NOT TO SCALE



TELECOMMUNICATIONS ONE-LINE DIAGRAM
NOT TO SCALE



PHOTOCELL / TIME-CLOCK CONTROLLED CONTACTOR DETAIL
SCALE: NOT TO SCALE



PORT CITY ARCHITECTURE
65 NEWBURY STREET
PORTLAND, ME 04101
207.761.9000
info@portcityarch.com
WWW.PORTCITYARCH.COM



CONSULTANTS
Kahler Slater
experience design



Site Design Associates
23 Whitney Way
Topsham, Maine 04086
207-449-4275

No.	Description	Date
▲	Addendum #8	7/29/12
▲	Addendum #9	8/16/12
▲	First Floor Redesign	1/09/13

CONSTRUCTION DOCUMENTS

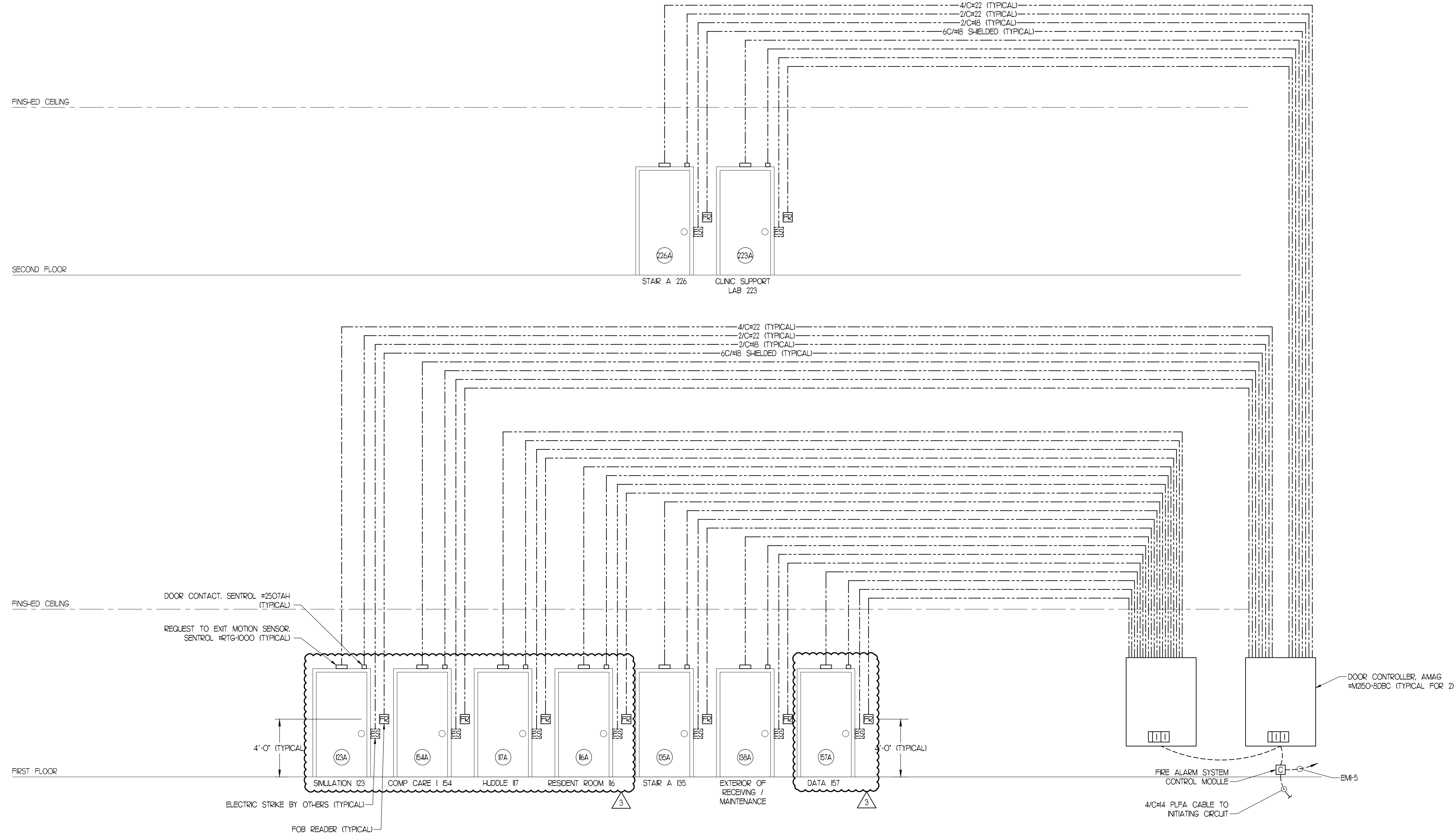
UNIVERSITY OF NEW ENGLAND
PORTLAND, MAINE
PATIENT CARE CENTER
INTERIOR FIT-OUT

ELECTRICAL DETAILS & WIRING DIAGRAMS

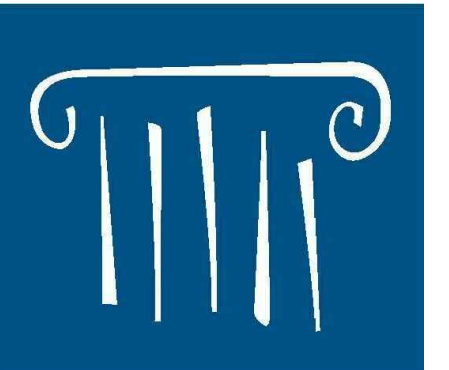
Project Number **12502**
Date **January 9, 2013**
Drawn by **JMS**
Checked by **VADjr**

E0.02
Scale **N.T.S.**

IF THIS SHEET IS NOT 24 X 36 IT IS A REDUCED SCALE PRINT - SCALE ACCORDINGLY



CARD READER ONE-LINE
NOT TO SCALE



PORT CITY ARCHITECTURE

65 NEWBURY STREET
PORTLAND, ME 04101
207.761.9000
info@portcityarch.com
WWW.PORTCITYARCH.COM



- CONSULTANTS**
- Kahler Slater**
experience design
 - BECKER**
ARCHITECTURE
 - Vincent A. Dilorio Inc.**
 - EDE INC.**
ELECTRICAL DESIGN ENGINEERS
- Site Design Associates
23 Whitney Way
Topsham, Maine 04086
207-449-4275

REVISIONS

No.	Description	Date
▲	Addendum #8	7/20/13
▲	Addendum #9	8/6/13
▲	First Floor Redesign	1/09/13

CONSTRUCTION DOCUMENTS

UNIVERSITY OF NEW ENGLAND
PORTLAND, MAINE

PATIENT CARE CENTER
INTERIOR FIT-OUT

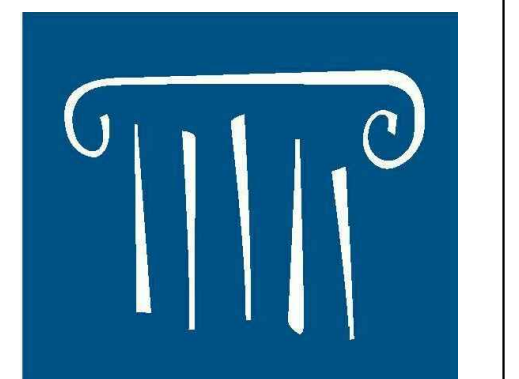
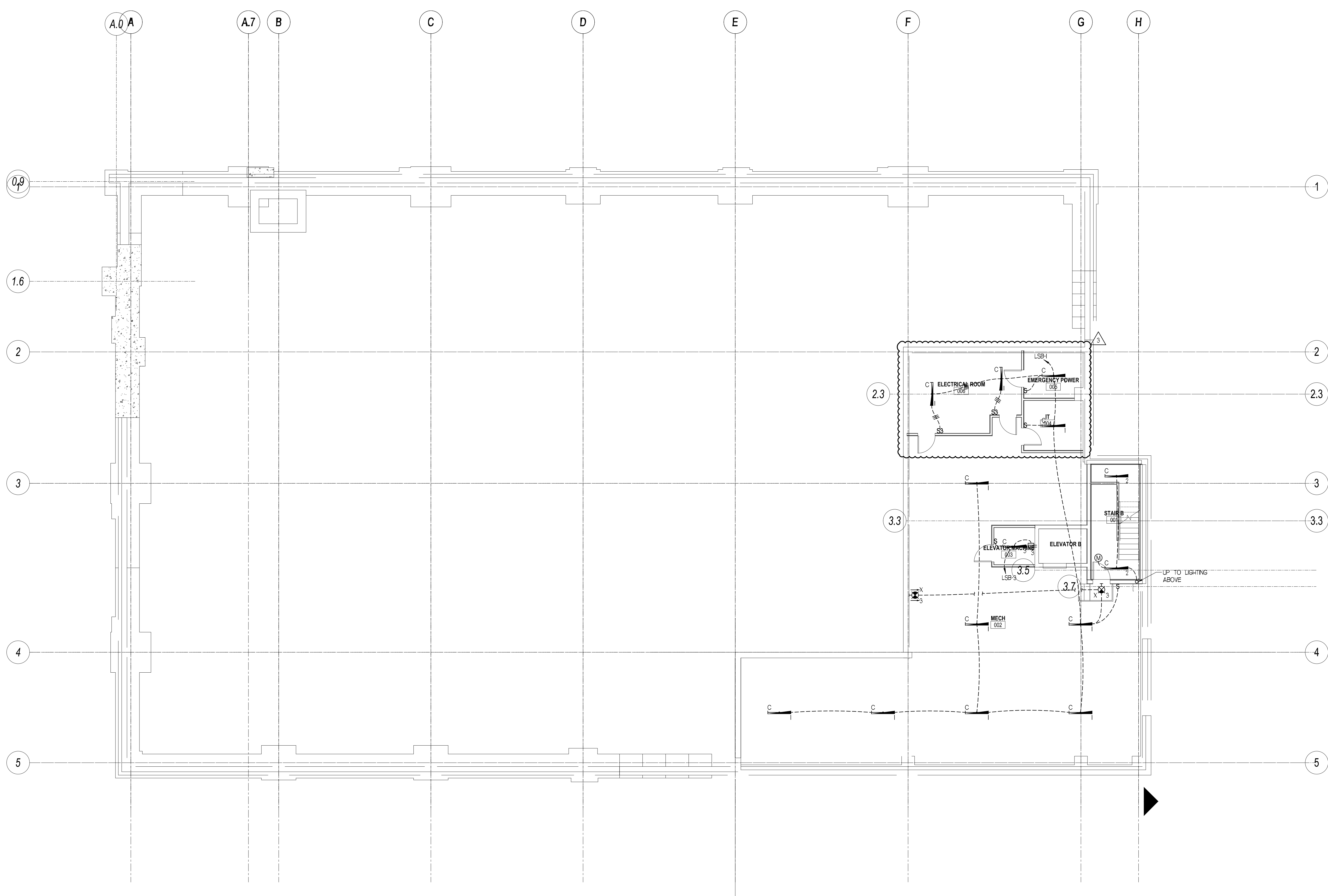
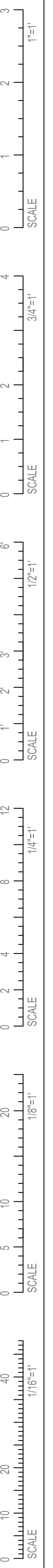
CARD READER ONE-LINE DIAGRAM

Project Number	12502
Date	January 9, 2013
Drawn by	JMS
Checked by	VADjr

E0.03

Scale N.T.S.

IF THIS SHEET IS NOT 24 X 36 IT IS A REDUCED SCALE PRINT - SCALE ACCORDINGLY



PORT CITY ARCHITECTURE

65 NEWBURY STREET
 PORTLAND, ME 04101
 207.761.9000
 info@portcityarch.com
 WWW.PORTCITYARCH.COM



CONSULTANTS



Site Design Associates
 23 Whitney Way
 Topsham, Maine 04086
 207-449-4275

REVISIONS		
No.	Description	Date
▲	Addendum #8	7/29/12
▲	Addendum #9	8/6/12
▲	First Floor Redesign	1/09/13

CONSTRUCTION DOCUMENTS

**UNIVERSITY OF
 NEW ENGLAND
 PORTLAND, MAINE
 PATIENT CARE
 CENTER
 INTERIOR FIT-OUT**

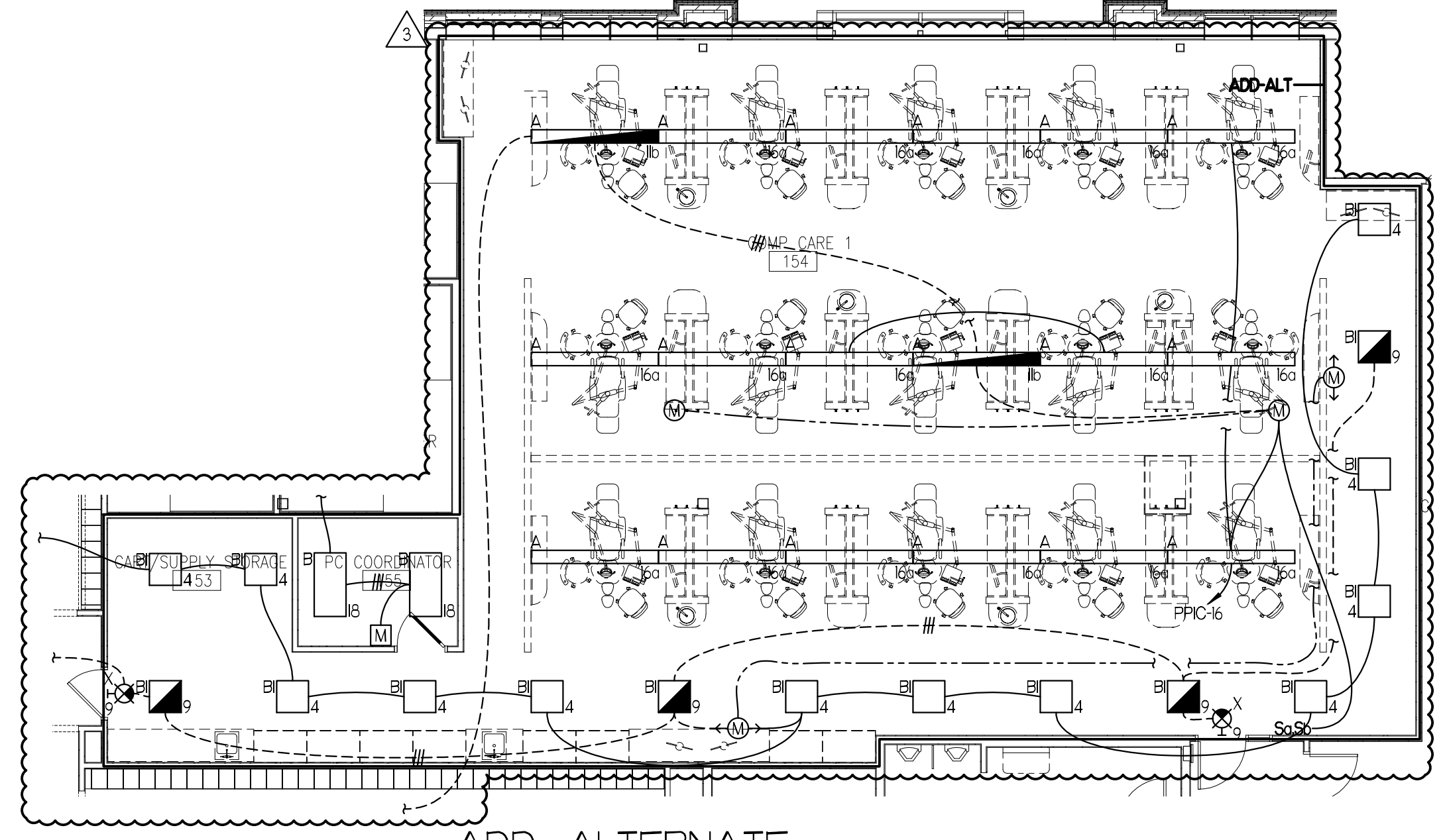
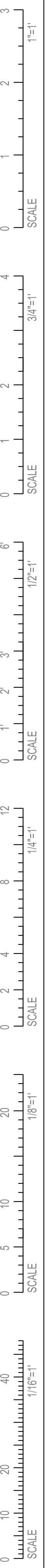
**BASEMENT LIGHTING
 PLAN**

Project Number 12502
 Date January 9, 2013
 Drawn by JMS
 Checked by VADjr

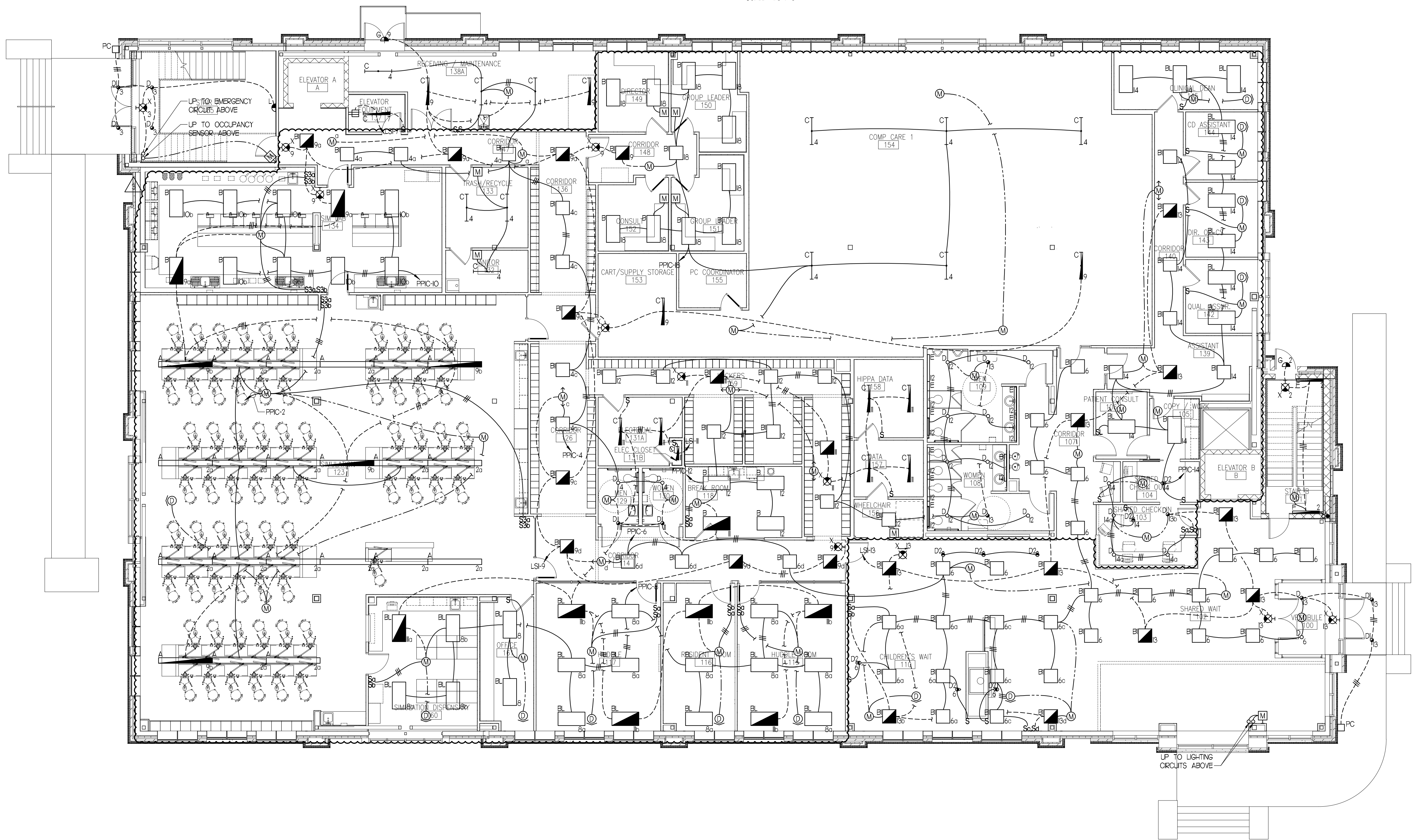
E1.01

Scale 1/8"=1'-0"

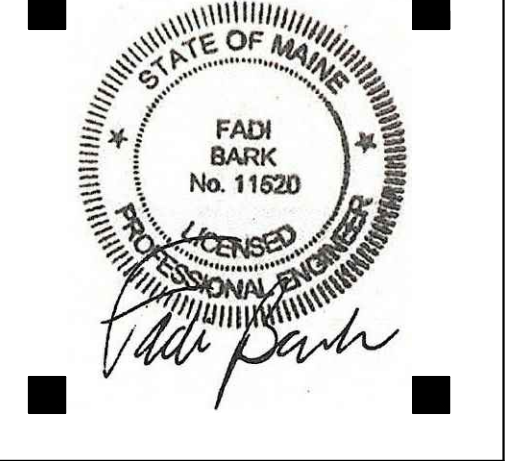
IF THIS SHEET IS NOT 24 X 36 IT IS A REDUCED SCALE PRINT - SCALE ACCORDINGLY



ADD ALTERNATE
COMP CARE 1 PART PLAN
SCALE: 1/8"=1'-0"



65 NEWBURY STREET
PORTLAND, ME 04101
207.761.9000
info@portcityarch.com
WWW.PORTCITYARCH.COM



CONSULTANTS
Kahler Slater
experience design



Site Design Associates
23 Whitney Way
Topsham, Maine 04086
207-449-4275

No.	Description	Date
▲ Addendum #8		7/20/12
▲ Addendum #9		8/6/12
▲ First Floor Redesign		1/09/13

CONSTRUCTION DOCUMENTS

UNIVERSITY OF
NEW ENGLAND
PORTLAND, MAINE

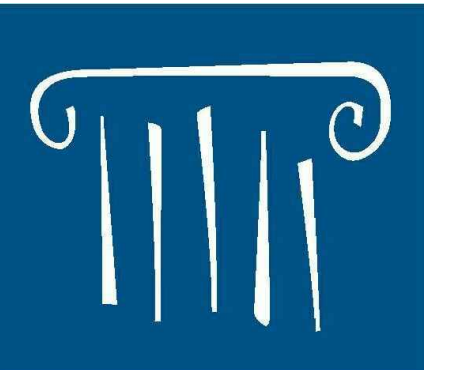
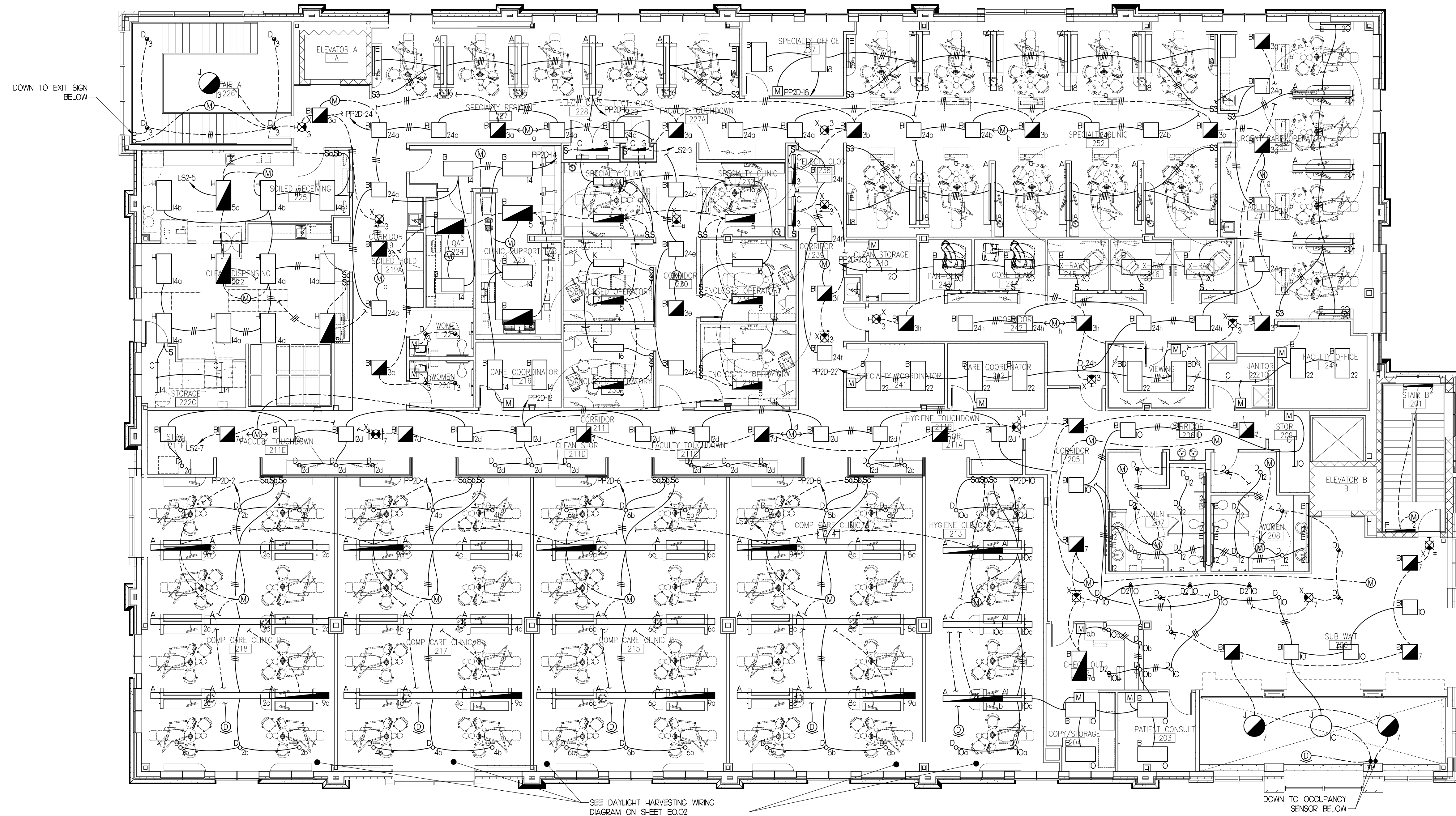
PATIENT CARE
CENTER
INTERIOR FIT-OUT

FIRST FLOOR
LIGHTING PLAN

Project Number 12502
Date January 9, 2013
Drawn by CDO
Checked by VADjr

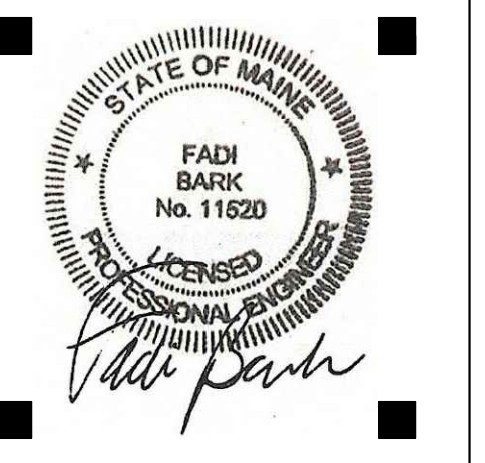
E1.02
Scale 1/8"=1'-0"

IF THIS SHEET IS NOT 24 X 36 IT IS A REDUCED SCALE PRINT - SCALE ACCORDINGLY



PORT CITY ARCHITECTURE

65 NEWBURY STREET
 PORTLAND, ME 04101
 207.761.9000
 info@portcityarch.com
 WWW.PORTCITYARCH.COM



CONSULTANTS



Site Design Associates
 23 Whitney Way
 Topsham, Maine 04086
 207-449-4275

REVISIONS

No.	Description	Date
▲ Addendum #8		7/20/12
▲ Addendum #9		8/16/12
▲ First Floor Redesign		1/09/13

CONSTRUCTION DOCUMENTS

UNIVERSITY OF
 NEW ENGLAND
 PORTLAND, MAINE

PATIENT CARE
 CENTER
 INTERIOR FIT-OUT

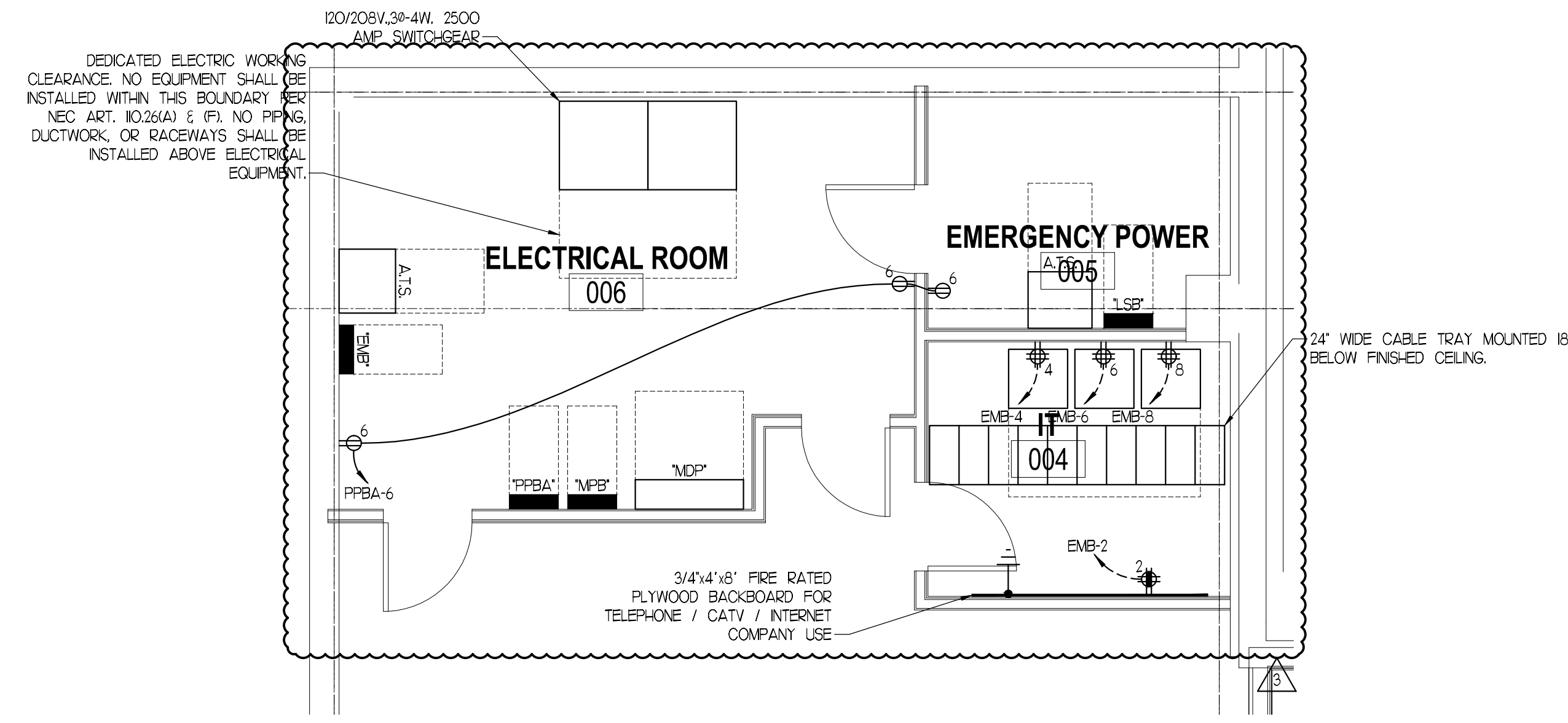
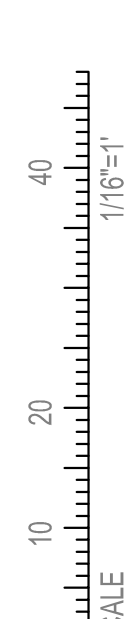
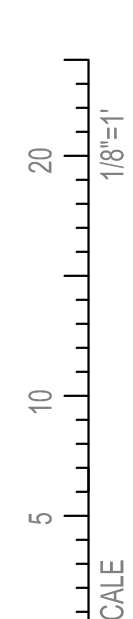
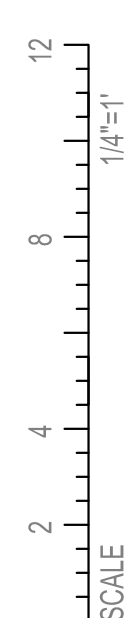
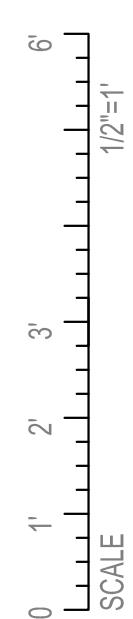
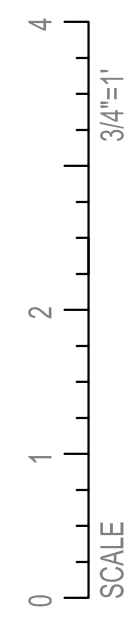
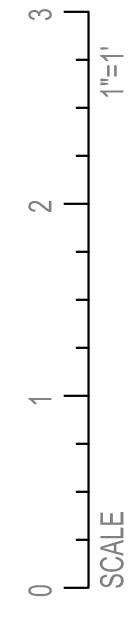
SECOND FLOOR
 LIGHTING PLAN

Project Number 12502
 Date January 9, 2013
 Drawn by CDO
 Checked by VADjr

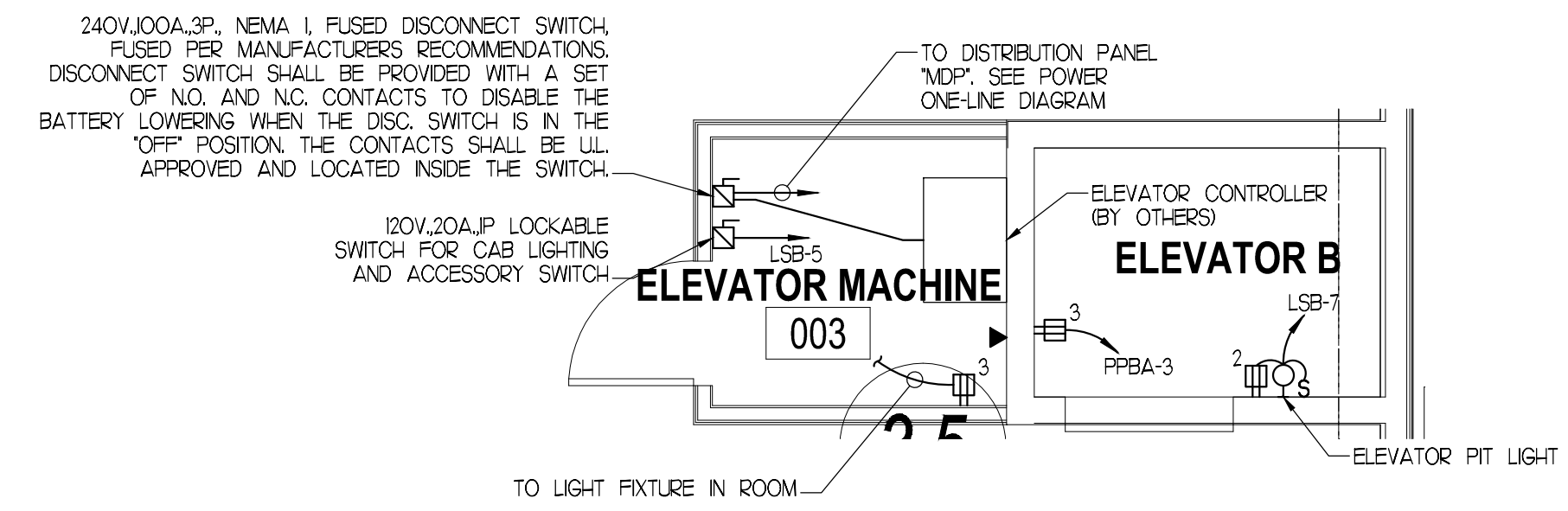
E1.03

Scale 1/8"=1'-0"

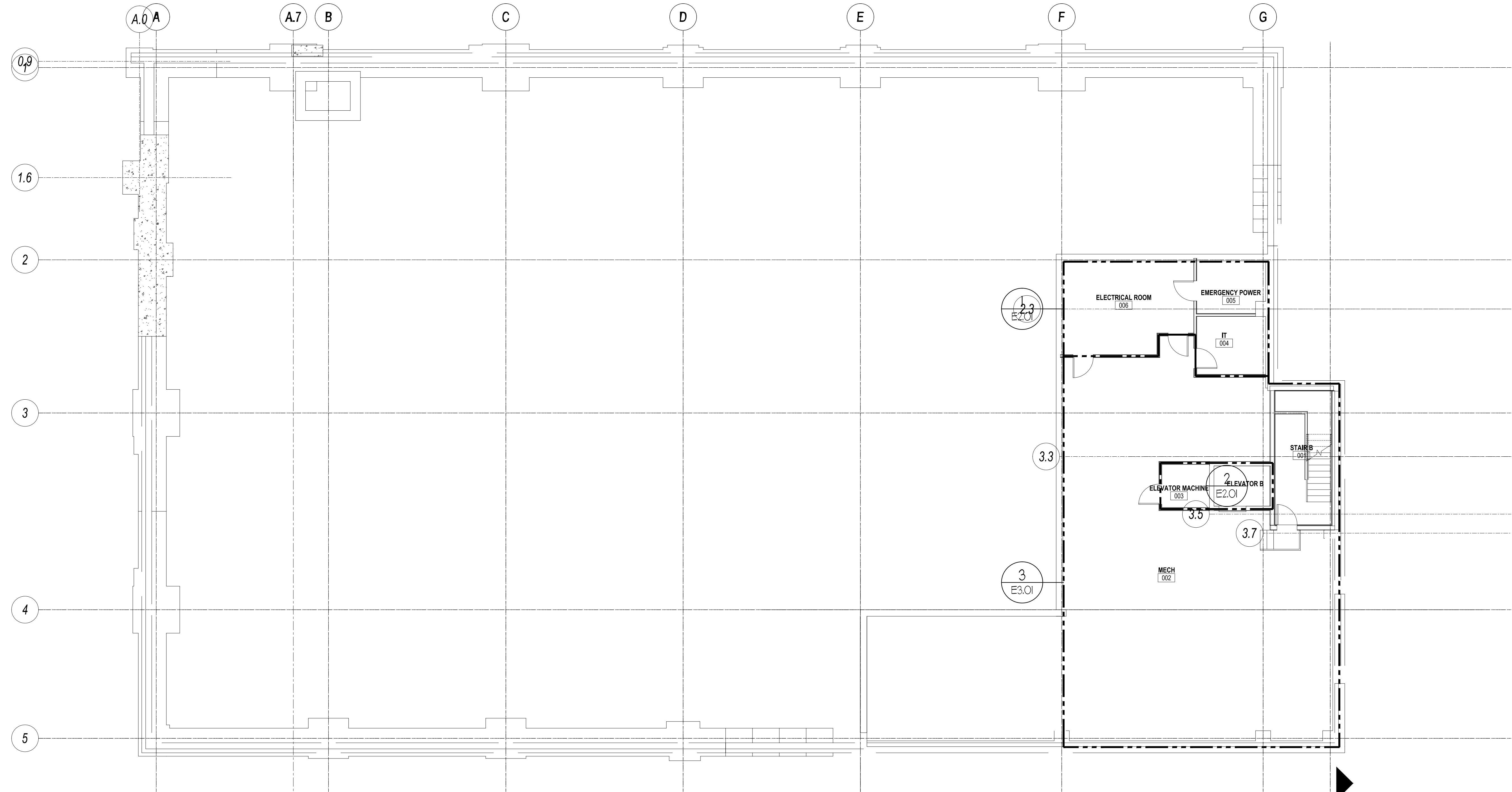
IF THIS SHEET IS NOT 24 X 36 IT IS A REDUCED SCALE PRINT - SCALE ACCORDINGLY



1 ENLARGED MAIN ELECTRIC ROOM PART PLAN
E2.0 SCALE: 1/4"=1'-0"



2 ENLARGED ELEVATOR MACHINE ROOM PART PLAN
E2.1 SCALE: 1/4"=1'-0"



65 NEWBURY STREET
PORTLAND, ME 04101
207.761.9000
info@portcityarch.com
WWW.PORTCITYARCH.COM



- CONSULTANTS
- Kahler Slater**
experience design
 - BECKER**
ARCHITECTURE
 - VVA**
Vincent A. Dilorio Inc.
 - EDE**
E.D.E. INC.
23 WHITNEY WAY
TOPSHAM, ME 04086
207-449-4275
- Site Design Associates
23 Whitney Way
Topsham, Maine 04086
207-449-4275

REVISIONS

No.	Description	Date
▲ Addendum #8		7/29/12
▲ Addendum #9		8/6/12
▲ First Floor Redesign		1/09/13

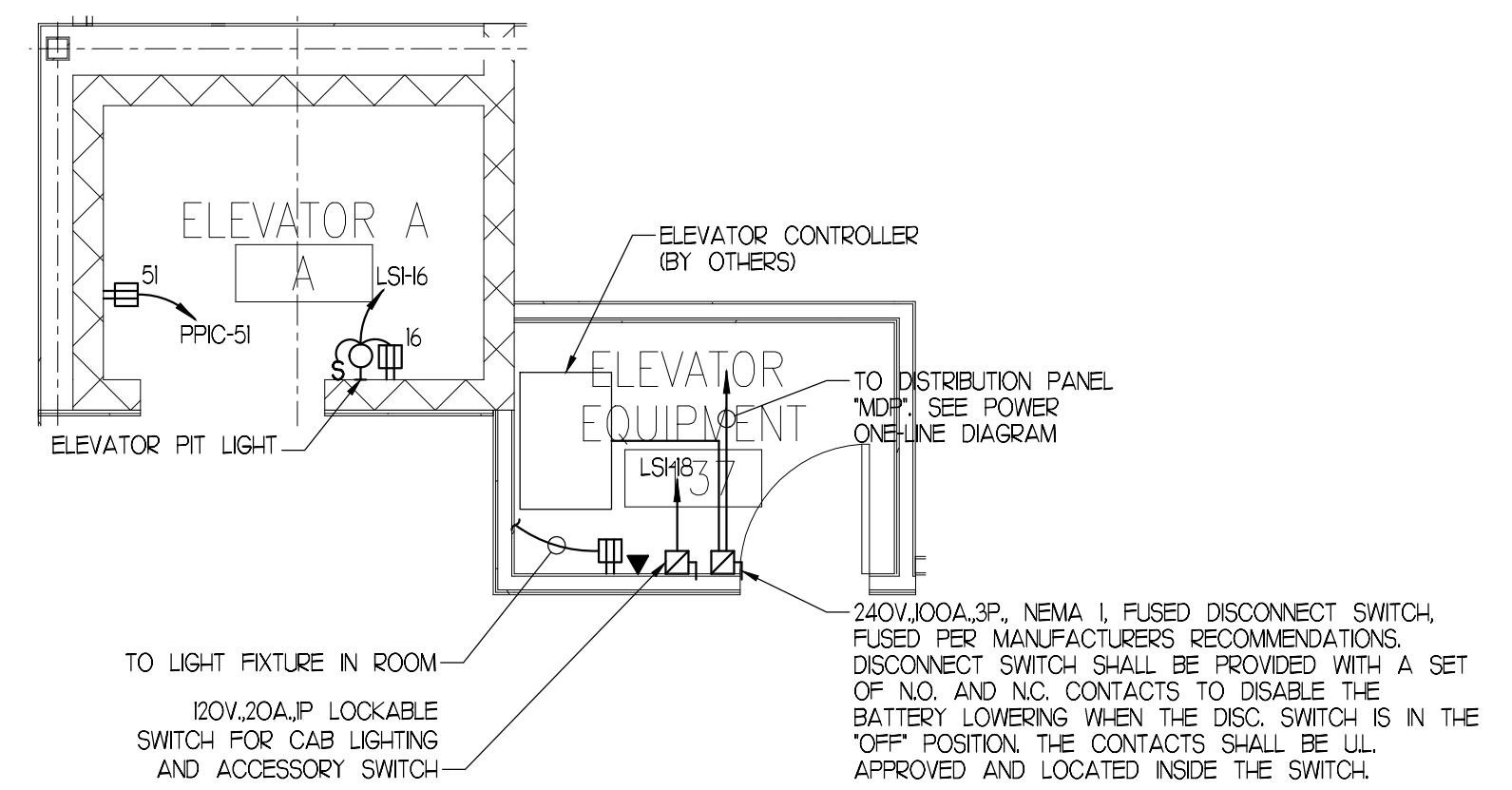
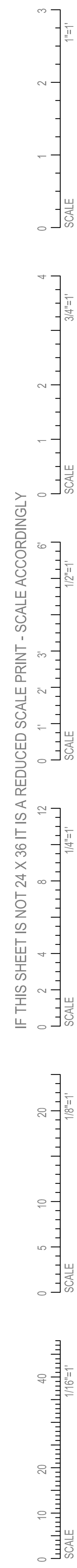
CONSTRUCTION DOCUMENTS

UNIVERSITY OF
NEW ENGLAND
PORTLAND, MAINE
PATIENT CARE
CENTER
INTERIOR FIT-OUT
BASEMENT POWER
PLAN

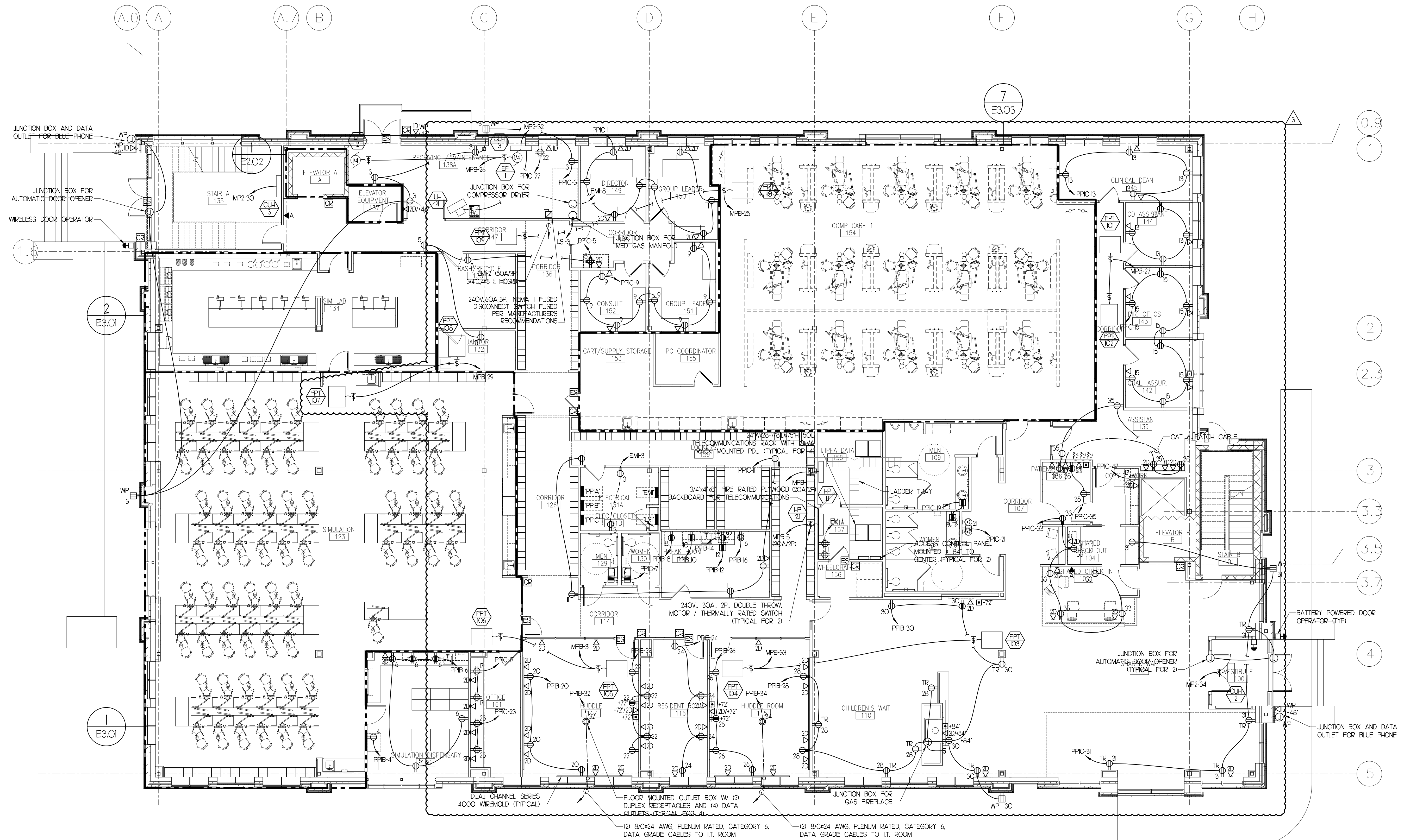
Project Number 12502
Date January 9, 2013
Drawn by JMS
Checked by VADjr

E2.01
Scale 1/8"=1'-0"

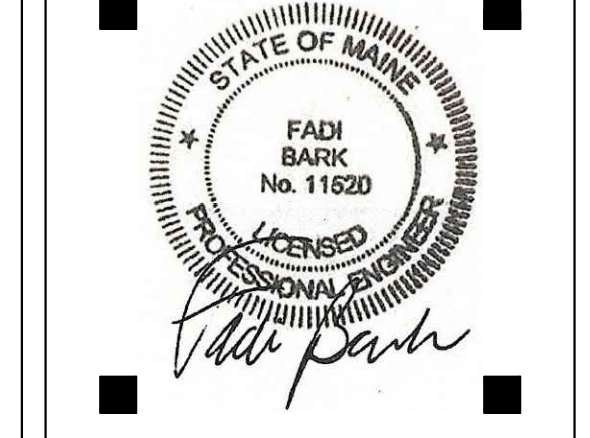
IF THIS SHEET IS NOT 24 X 36 IT IS A REDUCED SCALE PRINT - SCALE ACCORDINGLY



1 ELEVATOR ROOM PART PLAN
E202 / SCALE: 1/4"=1'-0"



65 NEWBURY STREET
PORTLAND, ME 04101
207.761.9000
info@portcityarch.com
WWW.PORTCITYARCH.COM



- CONSULTANTS
- Kahler Slater**
experience design
 - BECKER**
ARCHITECTS
 - Vincent A. Dilorio Inc.**
 - EDE INC.**
ELECTRICAL DESIGN ENGINEERING

Site Design Associates
23 Whitney Way
Topsham, Maine 04086
207-449-4275

No.	Description	Date
▲	Addendum #8	7/29/12
▲	Addendum #9	8/6/12
▲	First Floor Redesign	1/09/13

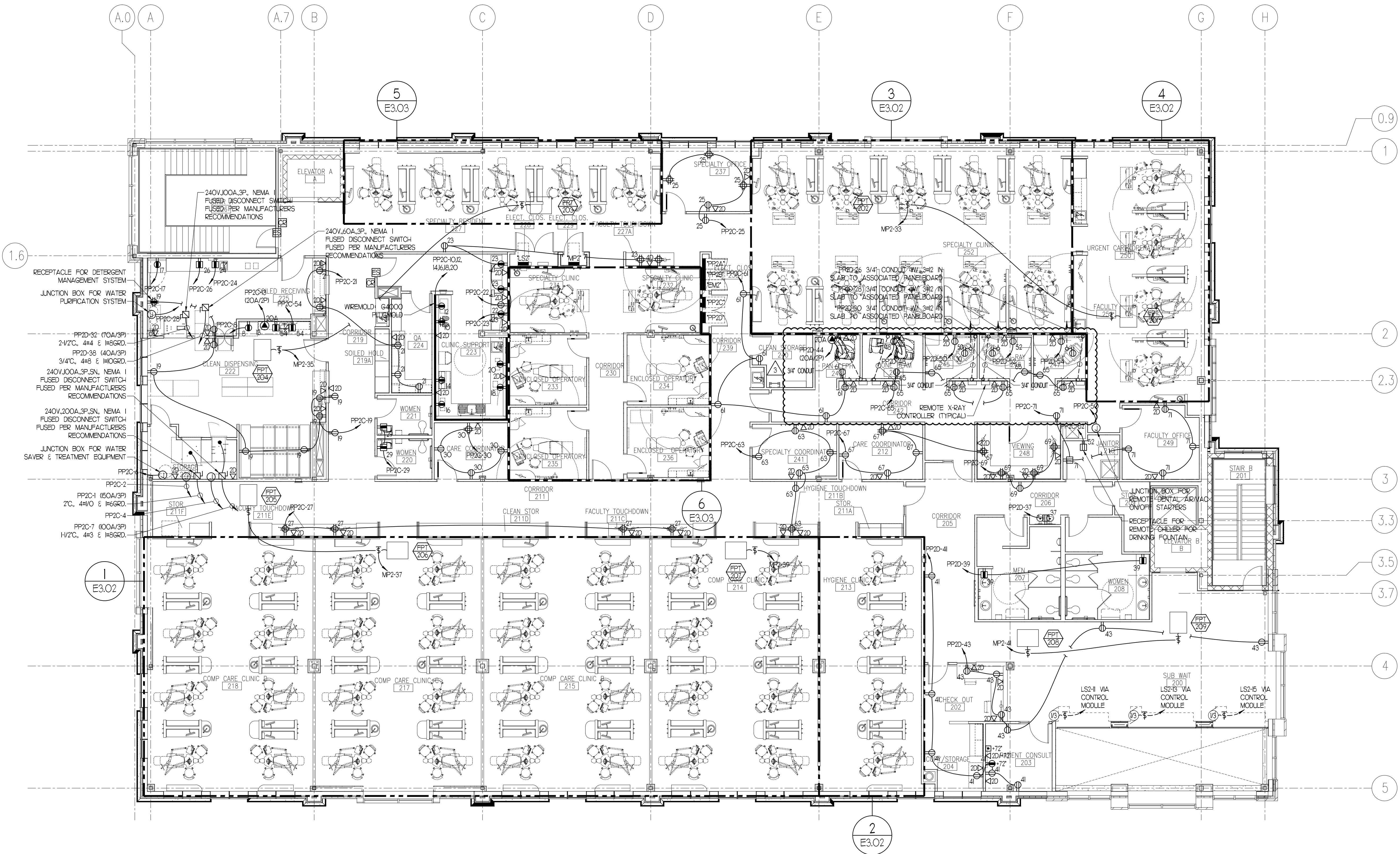
CONSTRUCTION DOCUMENTS

**UNIVERSITY OF NEW ENGLAND
PORTLAND, MAINE
PATIENT CARE CENTER
INTERIOR FIT-OUT
FIRST FLOOR POWER PLAN**

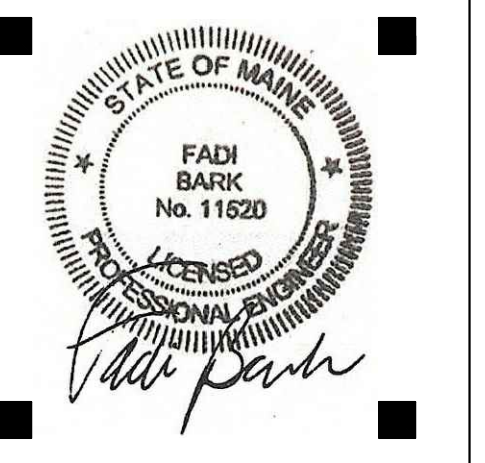
Project Number 12502
Date January 9, 2013
Drawn by JMS
Checked by VADjr

E2.02
Scale 1/8"=1'-0"

IF THIS SHEET IS NOT 24 X 36 IT IS A REDUCED SCALE PRINT - SCALE ACCORDINGLY



PORT CITY ARCHITECTURE
 65 NEWBURY STREET
 PORTLAND, ME 04101
 207.761.9000
 info@portcityarch.com
 WWW.PORTCITYARCH.COM



- CONSULTANTS**
- Kahler Slater**
experience design
 - BECKER**
ARCHITECTS
 - Vincent A. Dilorio Inc.**
 - EDE INC.**
ELECTRICAL DESIGN ENGINEERS

Site Design Associates
 23 Whitney Way
 Topsham, Maine 04086
 207-449-4275

REVISIONS		
No.	Description	Date
▲	Addendum #8	7/29/13
▲	Addendum #9	8/16/13
▲	First Floor Redesign	1/09/13

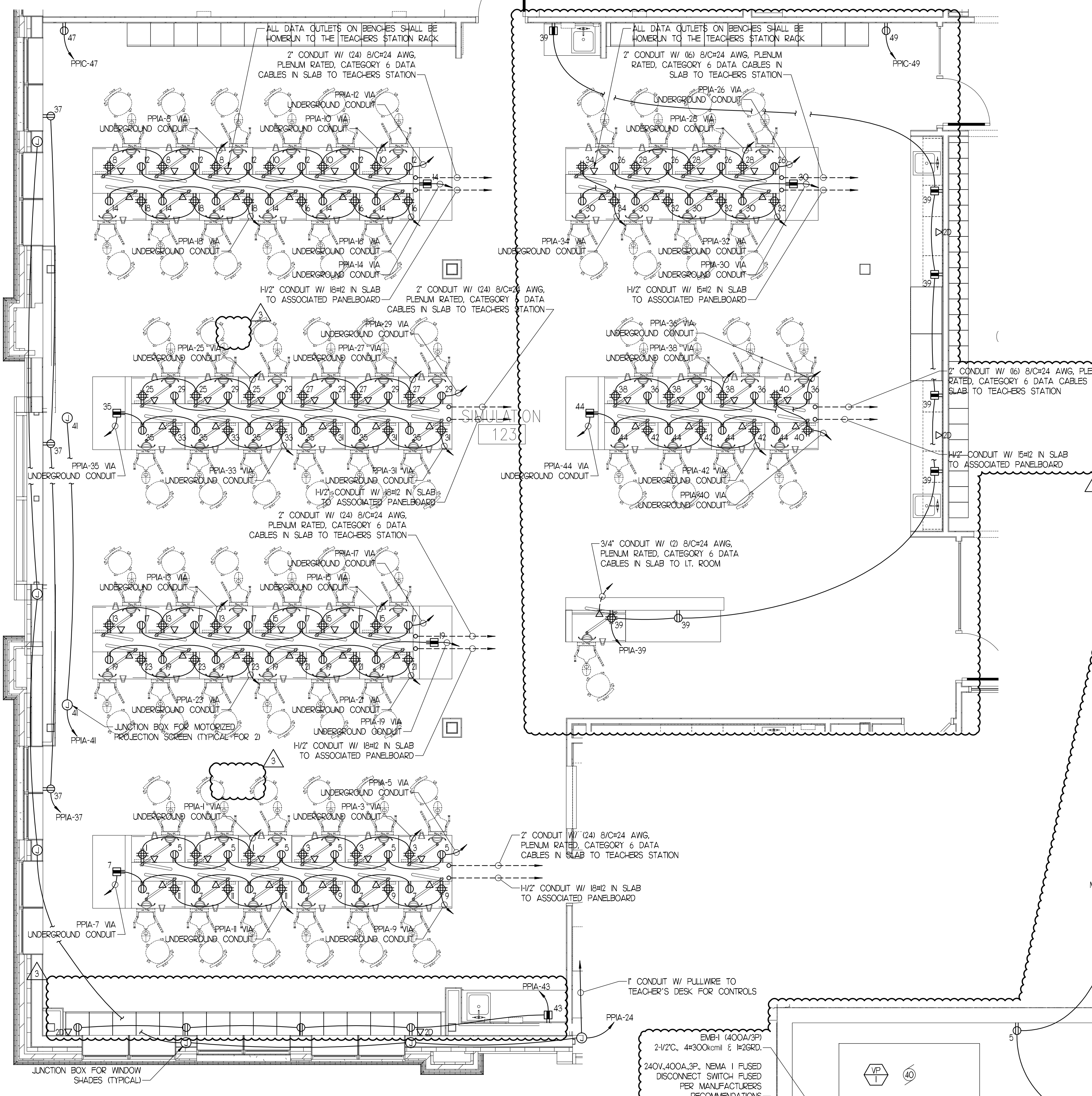
CONSTRUCTION DOCUMENTS

**UNIVERSITY OF NEW ENGLAND
 PORTLAND, MAINE
 PATIENT CARE CENTER
 INTERIOR FIT-OUT
 SECOND FLOOR
 POWER PLAN**

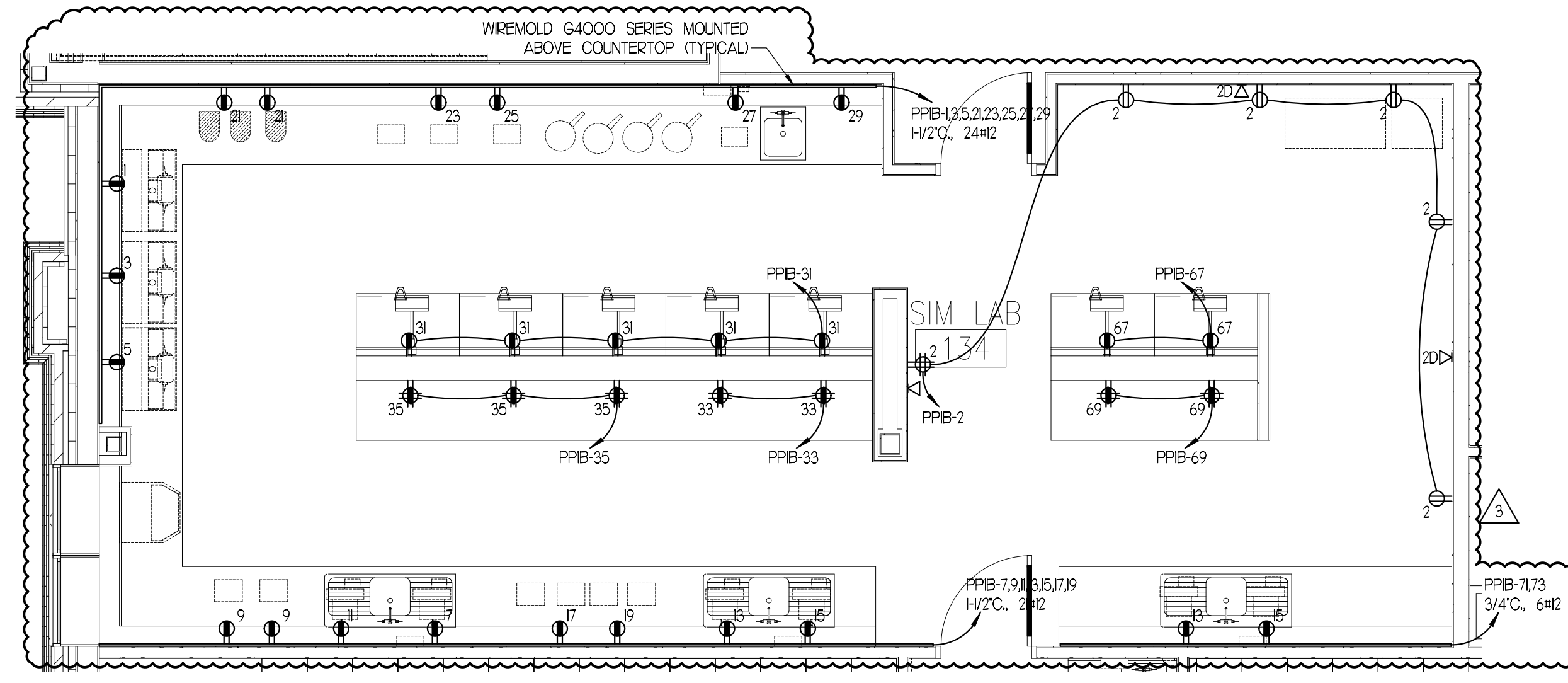
Project Number 12502
 Date January 9, 2013
 Drawn by JMS
 Checked by VADjr

E2.03
 Scale 1/8"=1'-0"

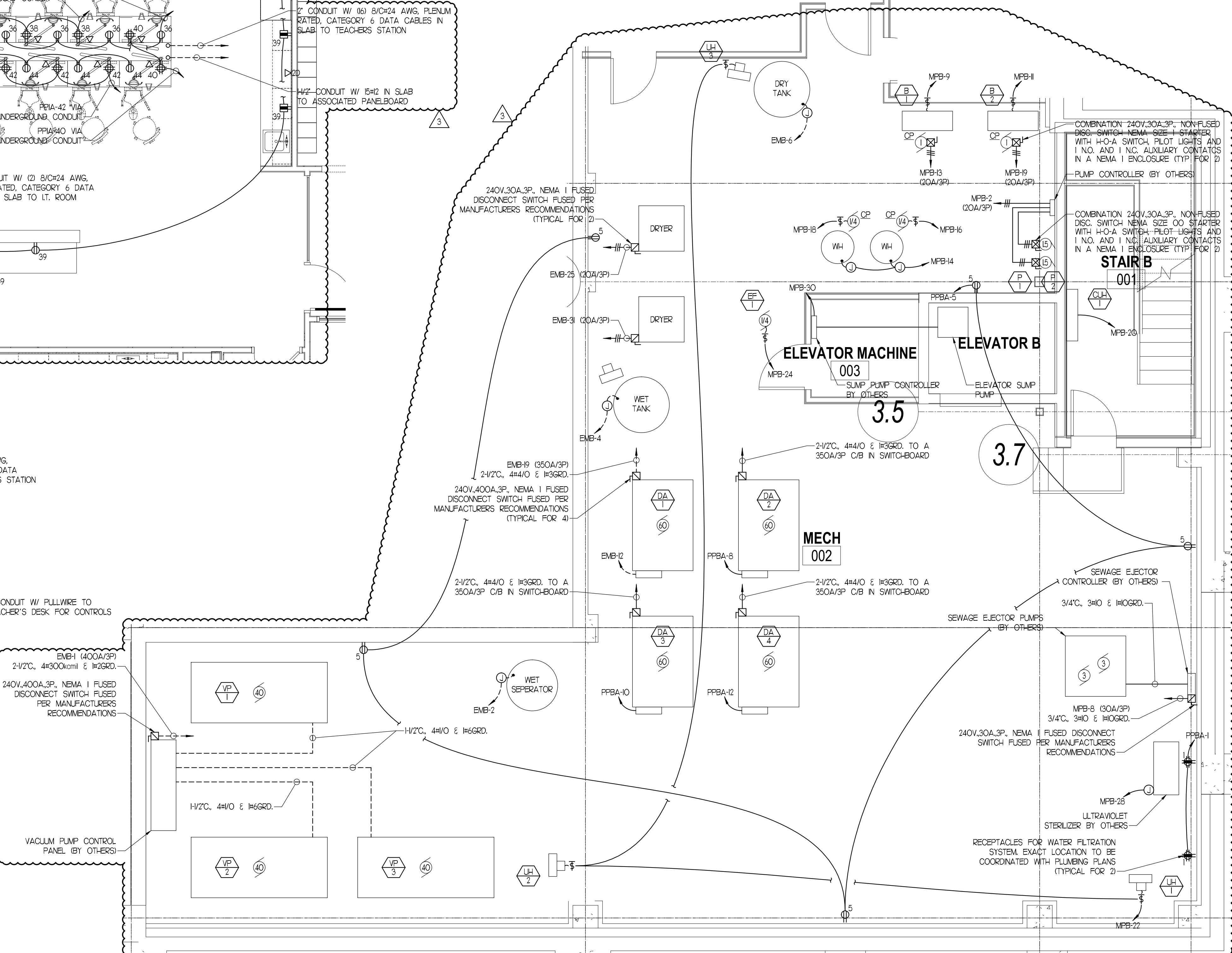
IF THIS SHEET IS NOT 24 X 36 IT IS A REDUCED SCALE PRINT - SCALE ACCORDINGLY



E202 ENLARGED SIMULATION ROOM PART PLAN
SCALE: 1/4"=1'-0"



E203 ENLARGED SIMULATION LAB PART PLAN
SCALE: 1/4"=1'-0"



E204 ENLARGED MECHANICAL ROOM PART PLAN
SCALE: 1/4"=1'-0"



65 NEWBURY STREET
PORTLAND, ME 04101
207.761.9000
info@portcityarch.com
WWW.PORTCITYARCH.COM



- CONSULTANTS**
- Kahler Slater** experience design
 - BECKER**
 - Vincent A. Dilorio Inc.**
 - EDE INC.**
- Site Design Associates
23 Whitney Way
Topsham, Maine 04086
207-449-4275

REVISIONS		
No.	Description	Date
A	Addendum #8	7/29/13
A	Addendum #9	8/16/13
A	First Floor Redesign	1/6/13

CONSTRUCTION DOCUMENTS

**UNIVERSITY OF NEW ENGLAND
PORTLAND, MAINE
PATIENT CARE CENTER
INTERIOR FIT-OUT
ENLARGED PART PLANS**

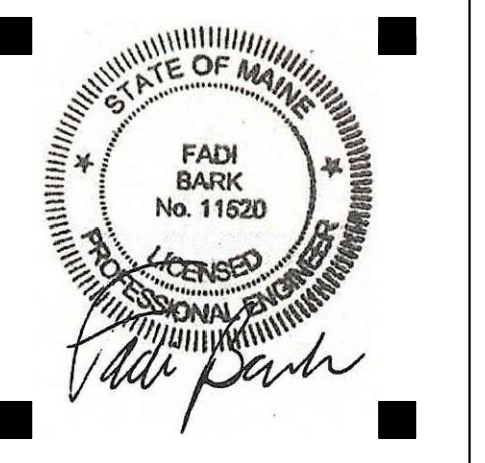
Project Number 12502
Date January 9, 2013
Drawn by JMS
Checked by VADjr

E3.01

Scale 1/4"=1'-0"



65 NEWBURY STREET
 PORTLAND, ME 04101
 207.761.9000
 info@portcityarch.com
 WWW.PORTCITYARCH.COM



Site Design Associates
 23 Whitney Way
 Topsham, Maine 04086
 207-449-4275

REVISIONS		
No.	Description	Date
1	Addendum #8	7/29/13
2	Addendum #9	8/16/13
3	First Floor Redesign	1/09/13

CONSTRUCTION DOCUMENTS

UNIVERSITY OF
 NEW ENGLAND
 PORTLAND, MAINE

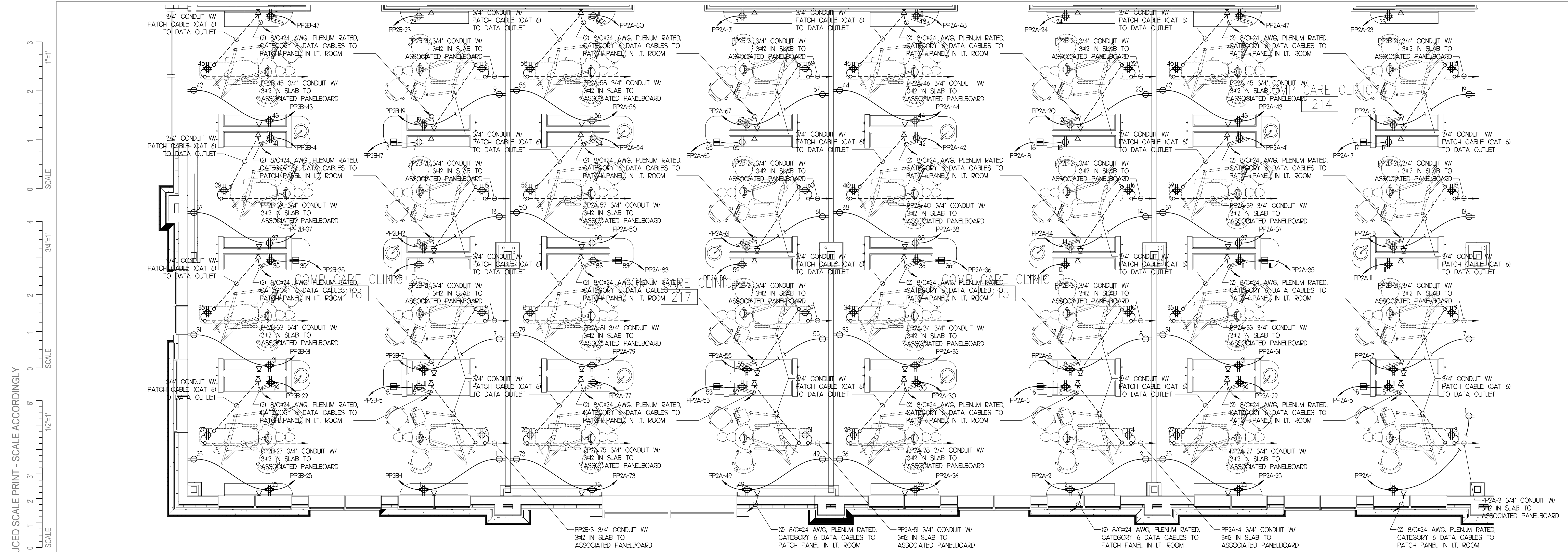
PATIENT CARE
 CENTER
 INTERIOR FIT-OUT

ENLARGED PART
 PLANS

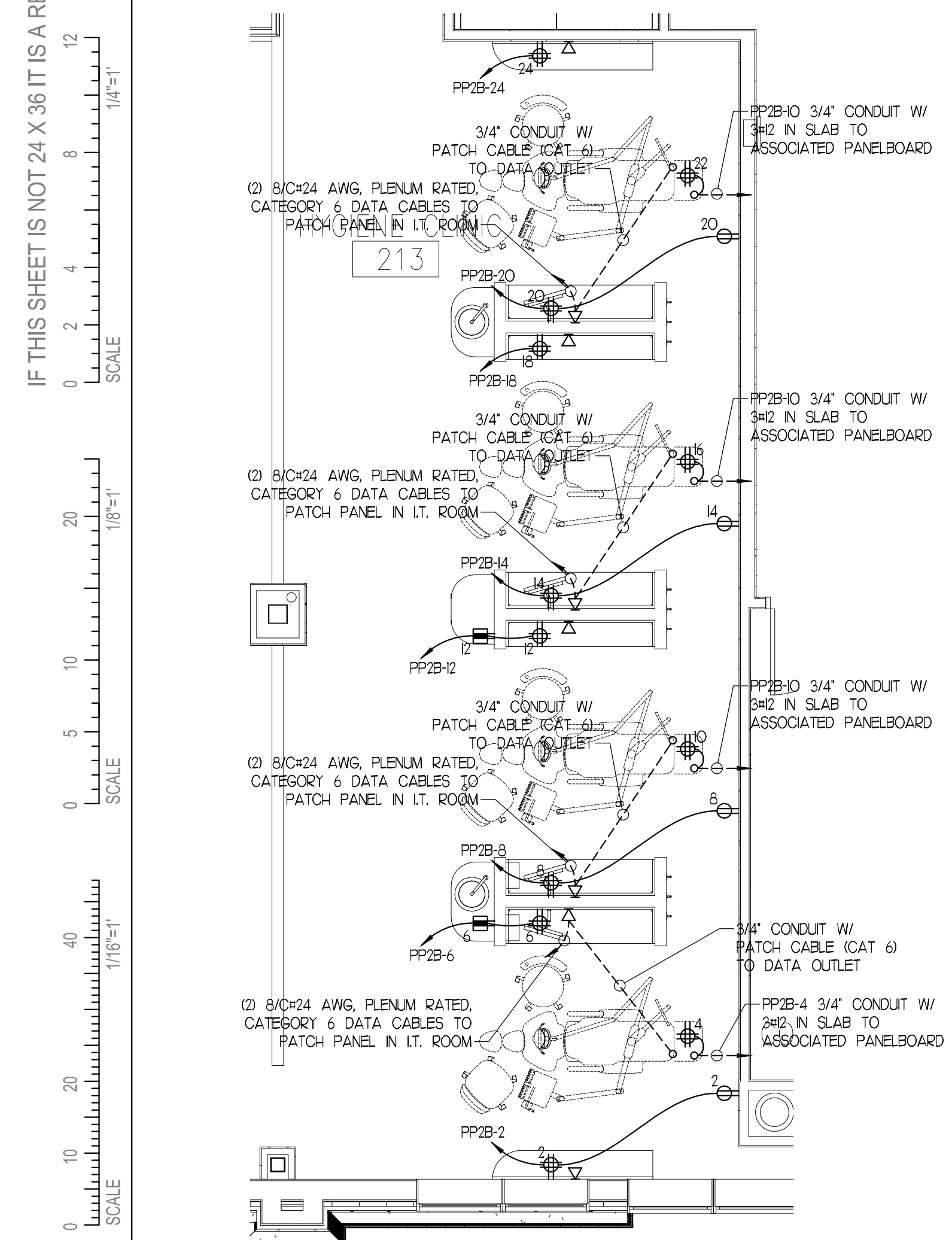
Project Number 12502
 Date January 9, 2013
 Drawn by JMS
 Checked by VADjr

E3.02

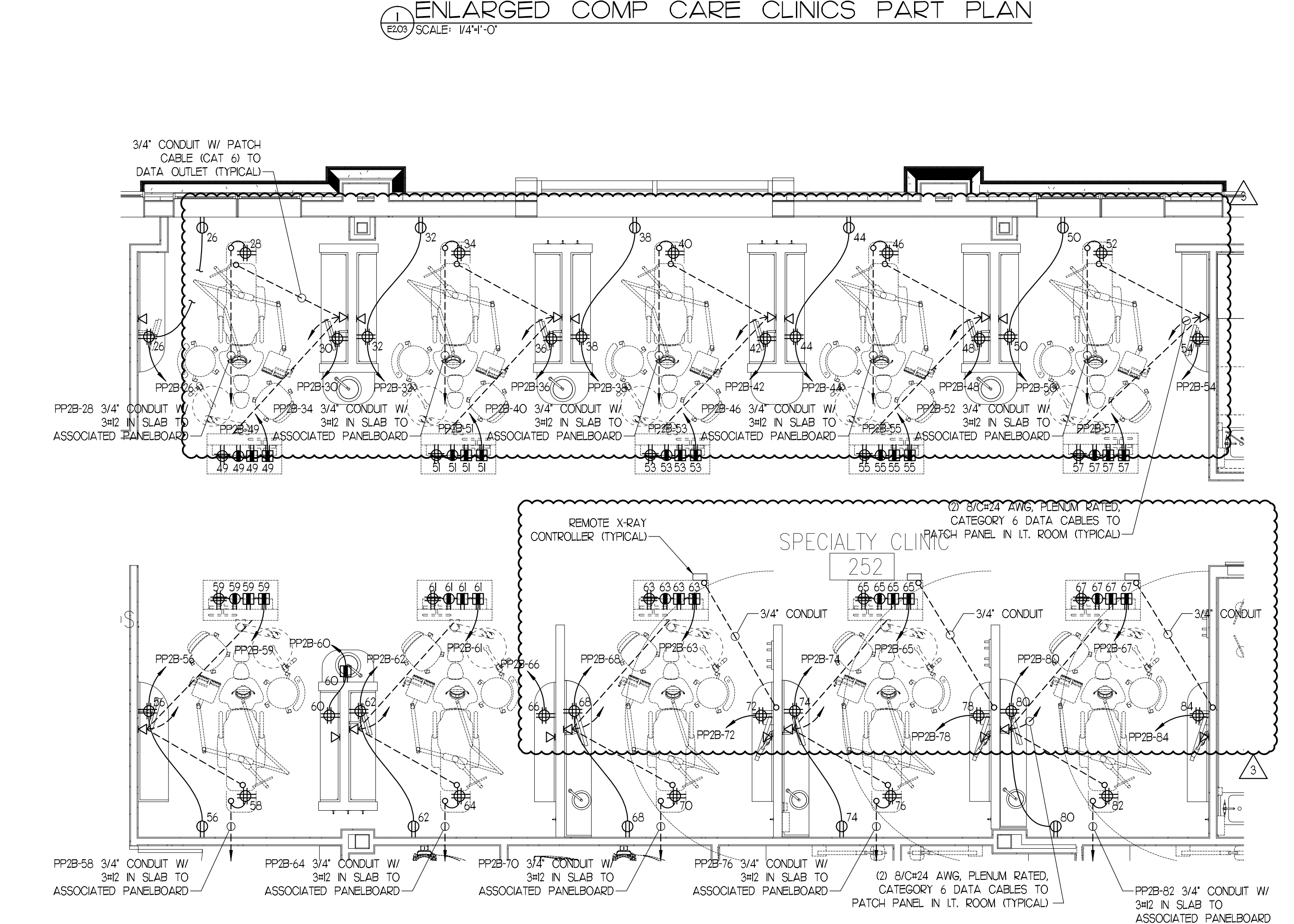
Scale 1/4"=1'-0"



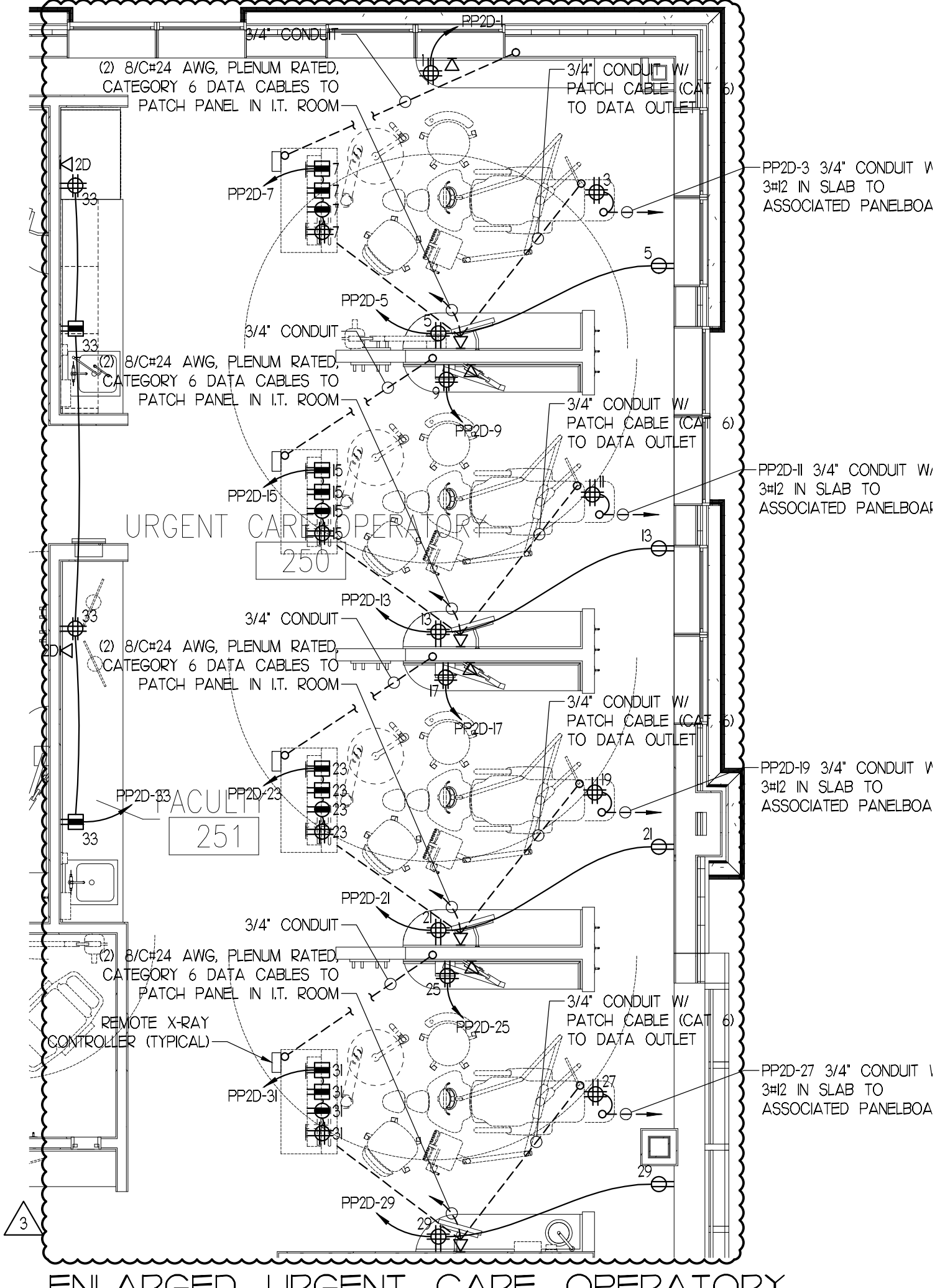
ENLARGED COMP CARE CLINICS PART PLAN
 E3.01 SCALE: 1/4"=1'-0"



ENLARGED HYGIENE CLINIC PART PLAN
 E3.02 SCALE: 1/4"=1'-0"



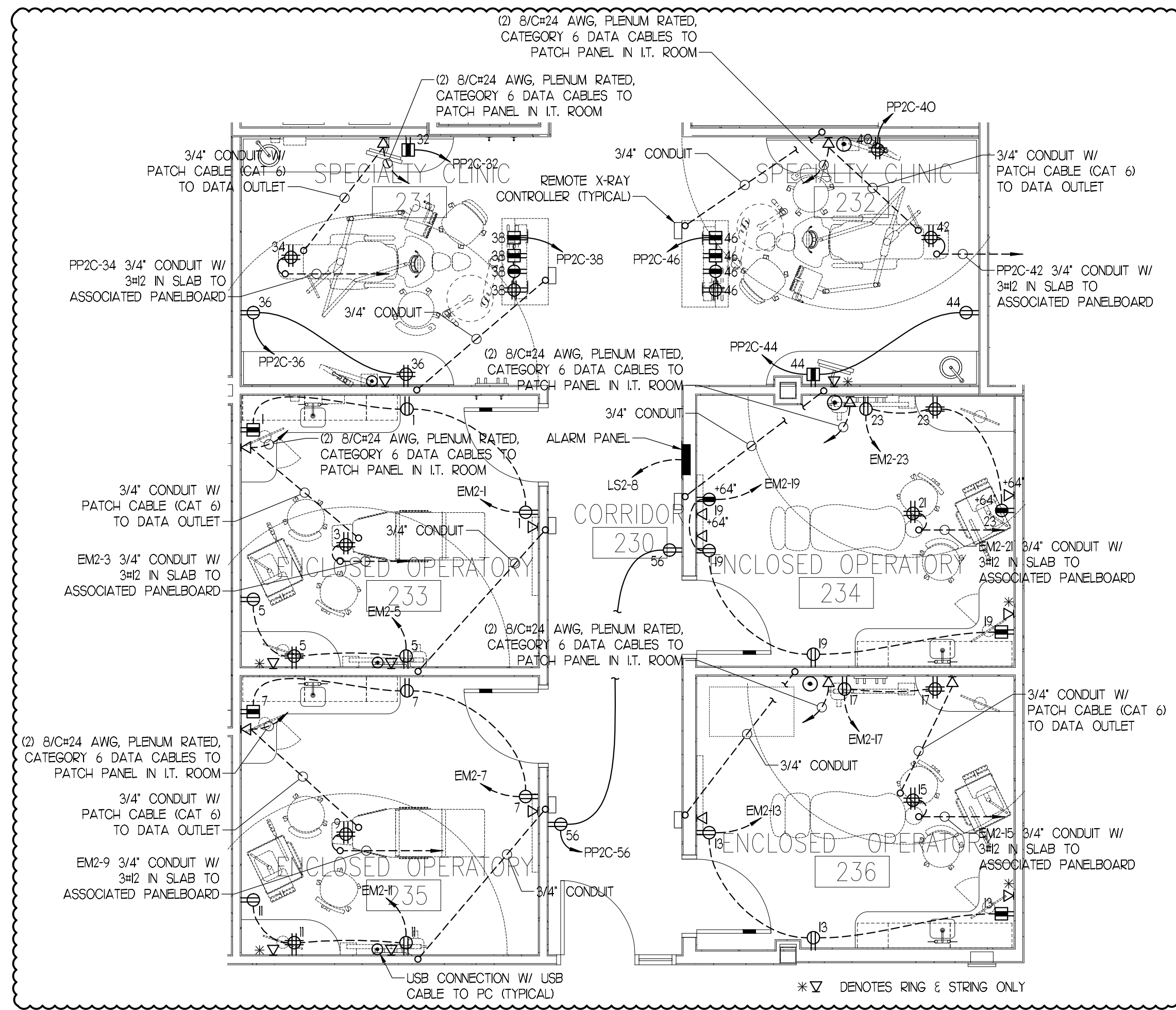
ENLARGED SPECIALTY CLINIC 252 PART PLAN
 E3.03 SCALE: 1/4"=1'-0"



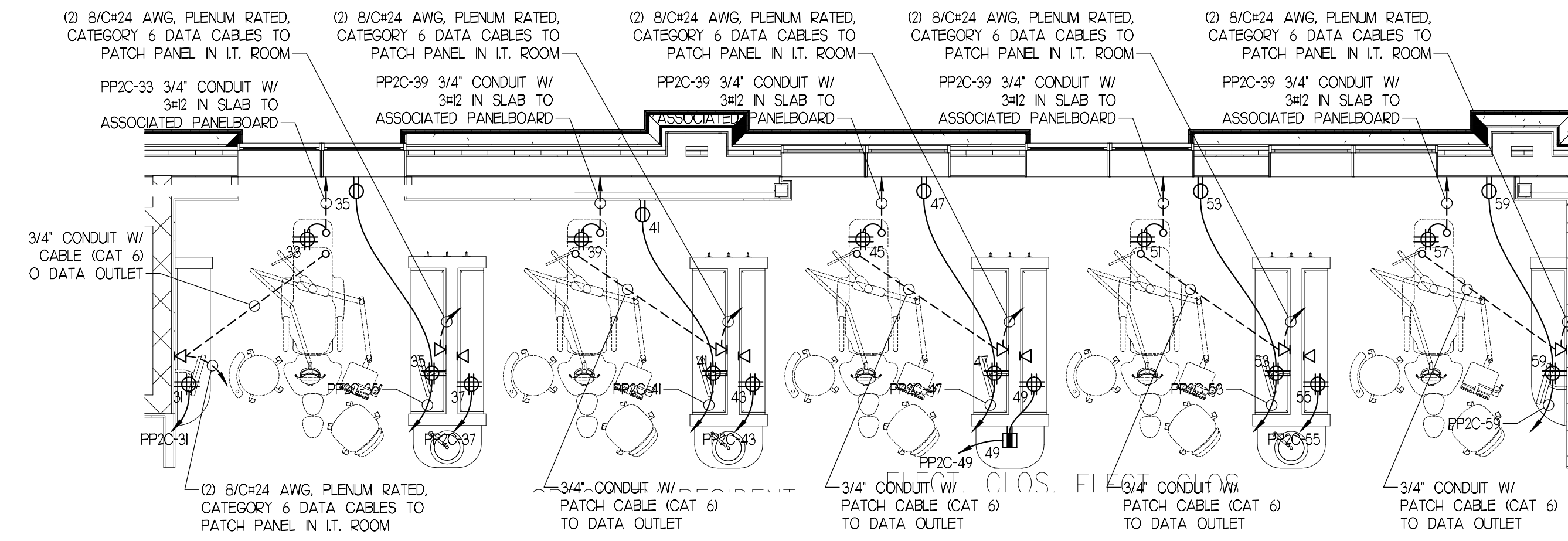
ENLARGED URGENT CARE OPERATORY PART PLAN
 E3.04 SCALE: 1/4"=1'-0"

IF THIS SHEET IS NOT 24 X 36 IT IS A REDUCED SCALE PRINT - SCALE ACCORDINGLY

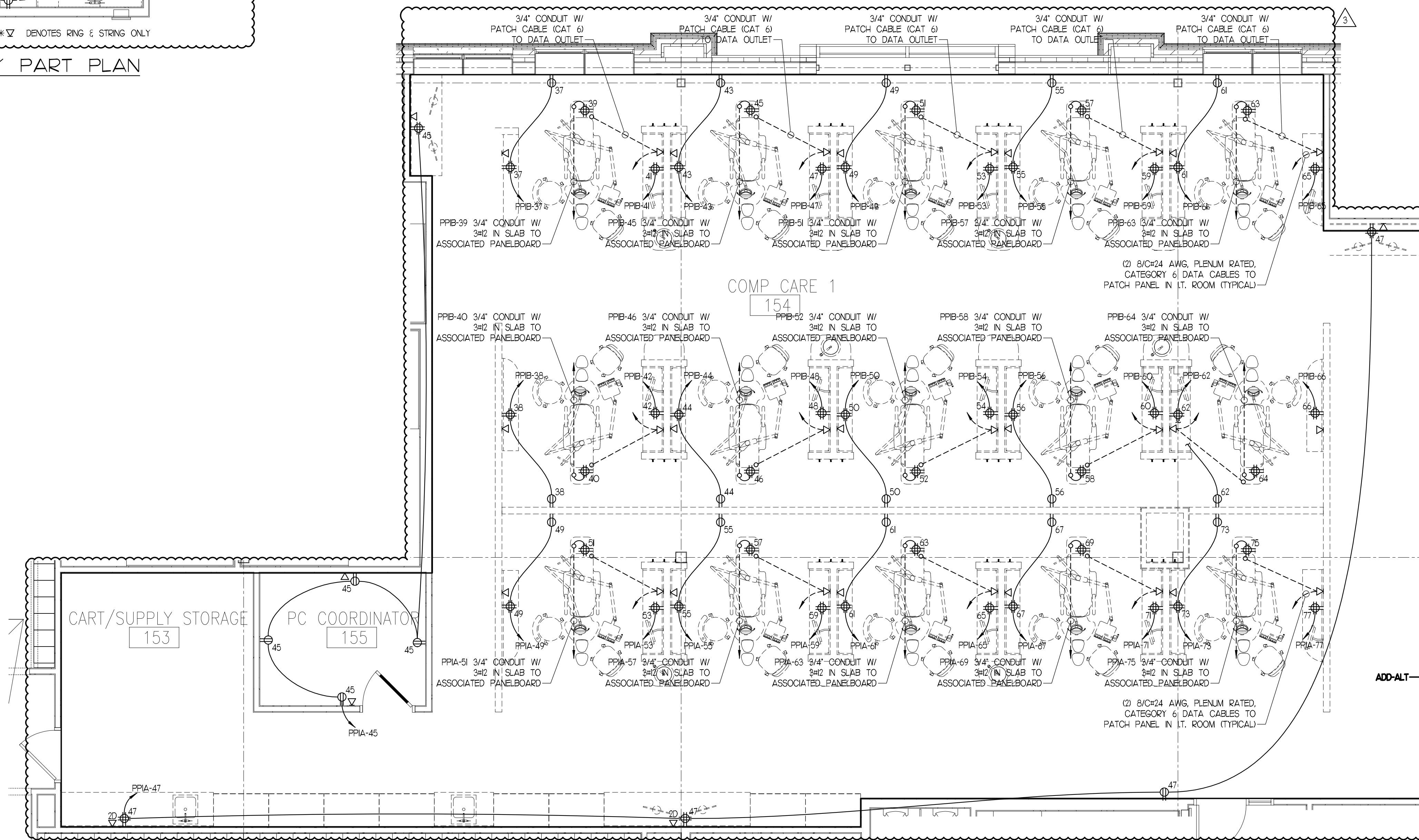
IF THIS SHEET IS NOT 24 X 36 IT IS A REDUCED SCALE PRINT - SCALE ACCORDINGLY



ENLARGED ENCLOSED OPERATORY PART PLAN
E3.03 SCALE: 1/4"=1'-0"



ENLARGED SPECIALTY RESIDENT PART PLAN
E3.04 SCALE: 1/4"=1'-0"



ENLARGED COMP CARE B
E3.05 SCALE: 1/4"=1'-0"



65 NEWBURY STREET
PORTLAND, ME 04101
207.761.9000
info@portcityarch.com
WWW.PORTCITYARCH.COM



CONSULTANTS



Site Design Associates
23 Whitney Way
Topsham, Maine 04086
207-449-4275

No.	Description	Date
▲	Addendum #8	7/29/13
▲	Addendum #9	8/16/13
▲	First Floor Redesign	1/09/13

CONSTRUCTION DOCUMENTS

UNIVERSITY OF
NEW ENGLAND
PORTLAND, MAINE

PATIENT CARE
CENTER
INTERIOR FIT-OUT

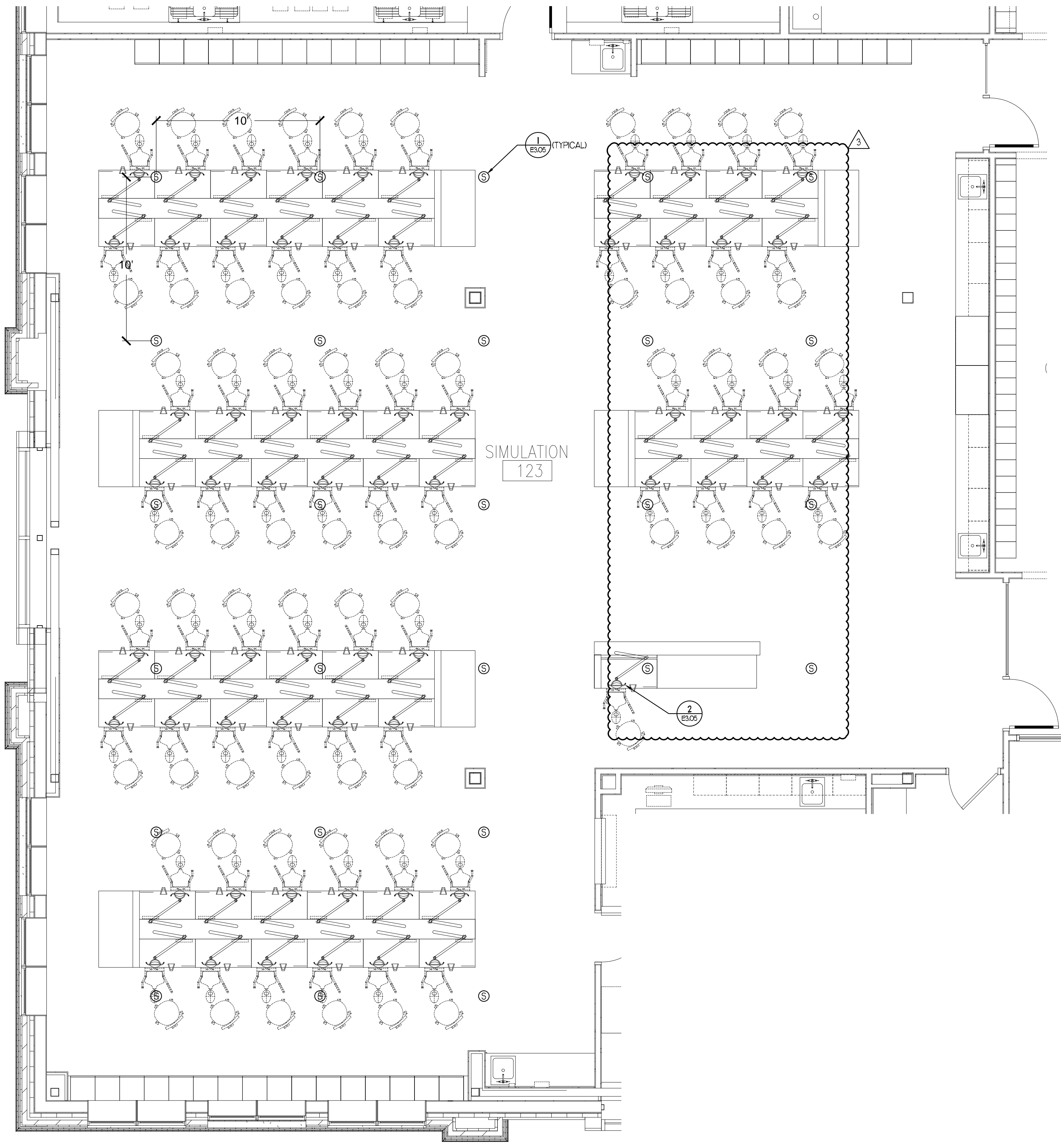
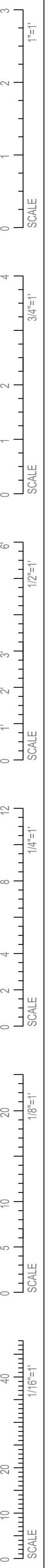
ENLARGED PART
PLANS

Project Number 12502
Date January 9, 2013
Drawn by JMS
Checked by VADjr

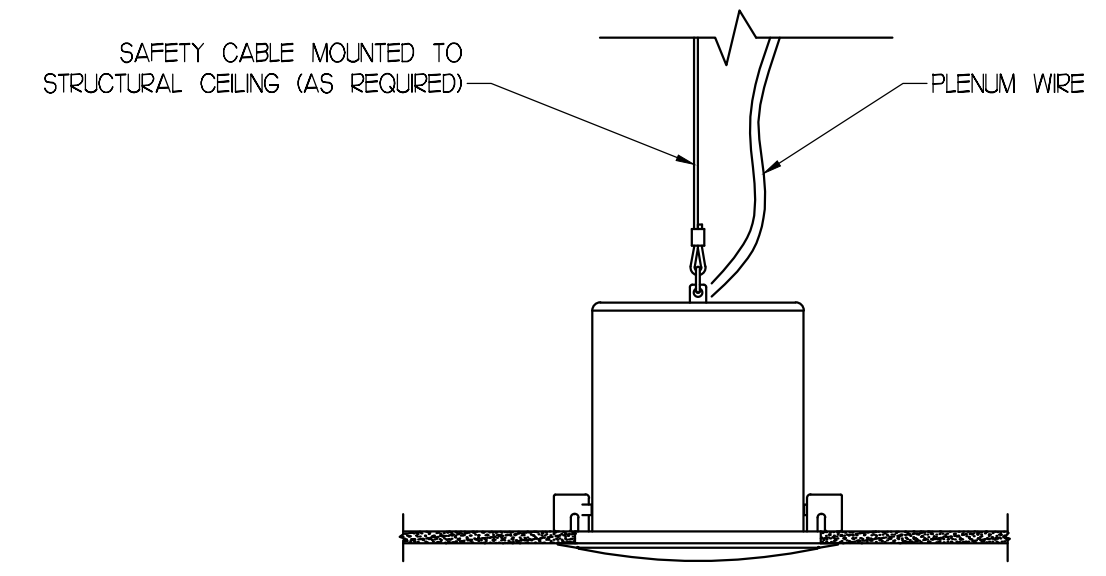
E3.03

Scale 1/4"=1'-0"

IF THIS SHEET IS NOT 24 X 36 IT IS A REDUCED SCALE PRINT - SCALE ACCORDINGLY

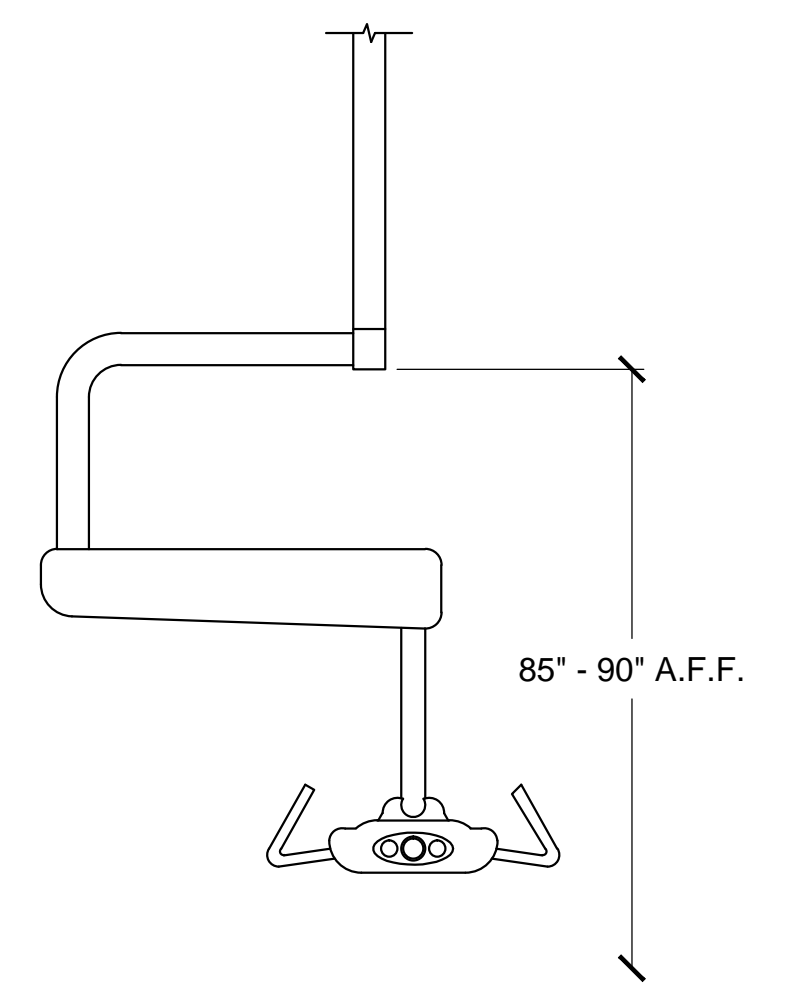


ENLARGED SIMULATION ROOM PART PLAN
SCALE: 1/4"=1'-0"



SAFETY CABLE MOUNTED TO STRUCTURAL CEILING (AS REQUIRED)
PLENUM WIRE

1 SPEAKER DETAIL
E3.05 / SCALE: 2"=1'-0"



CEILING MOUNTED VISION CAMERA
SUSPENDED FROM FINISHED CEILING
CAMERA PROVIDED & INSTALLED BY P.S.C.

2 CAMERA DETAIL
E3.05 / SCALE: 1"=1'-0"



PORT CITY ARCHITECTURE

65 NEWBURY STREET
PORTLAND, ME 04101
207.761.9000
info@portcityarch.com
WWW.PORTCITYARCH.COM



CONSULTANTS



Site Design Associates
23 Whitney Way
Topsham, Maine 04086
207-449-4275

REVISIONS

No.	Description	Date
▲	Addendum #8	7/20/12
▲	Addendum #9	8/6/12
▲	First Floor Redesign	1/09/13

CONSTRUCTION DOCUMENTS

UNIVERSITY OF NEW ENGLAND
PORTLAND, MAINE

PATIENT CARE CENTER
INTERIOR FIT-OUT

SIMULATION ROOM
PRESENTATION SYSTEM

Project Number	12502
Date	January 9, 2013
Drawn by	JMS
Checked by	VADjr

E3.05

Scale 1/4"=1'-0"

IF THIS SHEET IS NOT 24 X 36 IT IS A REDUCED SCALE PRINT - SCALE ACCORDINGLY



LOCATION MOUNTING	SECOND FLOOR ELECTRIC ROOM SURFACE				PANEL RATING	PP2A 225A				VOLTAGE 120/208V, 3P-4W TYPE OF MAIN 225A M.L.O. 84 POLE				
DESCRIPTION	VOLTAMPS			FRAME	TRIP	POLES	CKTS	POLES	TRIP	FRAME	VOLTAMPS			DESCRIPTION
	#A	#B	#C								#A	#B	#C	
COMP CARE CLINIC A RECEPTACLES	1200	-	-	-	20	1	2	1	20	-	1200	-	-	COMP CARE CLINIC B RECEPTACLES
COMP CARE CLINIC A RECEPTACLES	1200	-	-	-	20	1	3	4	1	20	-	-	-	COMP CARE CLINIC B RECEPTACLES
COMP CARE CLINIC A RECEPTACLES	1200	-	-	-	20	1	5	6	1	20	-	-	-	COMP CARE CLINIC B RECEPTACLES
COMP CARE CLINIC A RECEPTACLES	1200	-	-	-	20	1	7	8	1	20	-	-	-	COMP CARE CLINIC B RECEPTACLES
COMP CARE CLINIC A RECEPTACLES	1200	-	-	-	20	1	9	10	1	20	-	-	-	COMP CARE CLINIC B RECEPTACLES
COMP CARE CLINIC A RECEPTACLES	1200	-	-	-	20	1	11	12	1	20	-	-	-	COMP CARE CLINIC B RECEPTACLES
COMP CARE CLINIC A RECEPTACLES	1200	-	-	-	20	1	13	14	1	20	-	-	-	COMP CARE CLINIC B RECEPTACLES
COMP CARE CLINIC A RECEPTACLES	1200	-	-	-	20	1	15	16	1	20	-	-	-	COMP CARE CLINIC B RECEPTACLES
COMP CARE CLINIC A RECEPTACLES	1200	-	-	-	20	1	17	18	1	20	-	-	-	COMP CARE CLINIC B RECEPTACLES
COMP CARE CLINIC A RECEPTACLES	1200	-	-	-	20	1	19	20	1	20	-	-	-	COMP CARE CLINIC B RECEPTACLES
COMP CARE CLINIC A RECEPTACLES	1200	-	-	-	20	1	21	22	1	20	-	-	-	COMP CARE CLINIC B RECEPTACLES
COMP CARE CLINIC A RECEPTACLES	1200	-	-	-	20	1	23	24	1	20	-	-	-	COMP CARE CLINIC B RECEPTACLES
COMP CARE CLINIC A RECEPTACLES	1200	-	-	-	20	1	25	26	1	20	-	-	-	COMP CARE CLINIC B RECEPTACLES
COMP CARE CLINIC A RECEPTACLES	1200	-	-	-	20	1	27	28	1	20	-	-	-	COMP CARE CLINIC B RECEPTACLES
COMP CARE CLINIC A RECEPTACLES	1200	-	-	-	20	1	29	30	1	20	-	-	-	COMP CARE CLINIC B RECEPTACLES
COMP CARE CLINIC A RECEPTACLES	1200	-	-	-	20	1	31	32	1	20	-	-	-	COMP CARE CLINIC B RECEPTACLES
COMP CARE CLINIC A RECEPTACLES	1200	-	-	-	20	1	33	34	1	20	-	-	-	COMP CARE CLINIC B RECEPTACLES
COMP CARE CLINIC A RECEPTACLES	1200	-	-	-	20	1	35	36	1	20	-	-	-	COMP CARE CLINIC B RECEPTACLES
COMP CARE CLINIC A RECEPTACLES	1200	-	-	-	20	1	37	38	1	20	-	-	-	COMP CARE CLINIC B RECEPTACLES
COMP CARE CLINIC A RECEPTACLES	1200	-	-	-	20	1	39	40	1	20	-	-	-	COMP CARE CLINIC B RECEPTACLES
COMP CARE CLINIC A RECEPTACLES	1200	-	-	-	20	1	41	42	1	20	-	-	-	COMP CARE CLINIC B RECEPTACLES
COMP CARE CLINIC A RECEPTACLES	1200	-	-	-	20	1	43	44	1	20	-	-	-	COMP CARE CLINIC B RECEPTACLES
COMP CARE CLINIC A RECEPTACLES	1200	-	-	-	20	1	45	46	1	20	-	-	-	COMP CARE CLINIC B RECEPTACLES
COMP CARE CLINIC A RECEPTACLES	1200	-	-	-	20	1	47	48	1	20	-	-	-	COMP CARE CLINIC B RECEPTACLES
COMP CARE CLINIC C RECEPTACLES	1200	-	-	-	20	1	49	50	1	20	-	-	-	COMP CARE CLINIC C RECEPTACLES
COMP CARE CLINIC C RECEPTACLES	1200	-	-	-	20	1	51	52	1	20	-	-	-	COMP CARE CLINIC C RECEPTACLES
COMP CARE CLINIC C RECEPTACLES	1200	-	-	-	20	1	53	54	1	20	-	-	-	COMP CARE CLINIC C RECEPTACLES
COMP CARE CLINIC C RECEPTACLES	1200	-	-	-	20	1	55	56	1	20	-	-	-	COMP CARE CLINIC C RECEPTACLES
COMP CARE CLINIC C RECEPTACLES	1200	-	-	-	20	1	57	58	1	20	-	-	-	COMP CARE CLINIC C RECEPTACLES
COMP CARE CLINIC C RECEPTACLES	1200	-	-	-	20	1	59	60	1	20	-	-	-	COMP CARE CLINIC C RECEPTACLES
COMP CARE CLINIC C RECEPTACLES	1200	-	-	-	20	1	61	62	1	20	-	-	-	SPARE
COMP CARE CLINIC C RECEPTACLES	1200	-	-	-	20	1	63	64	1	20	-	-	-	SPARE
COMP CARE CLINIC C RECEPTACLES	1200	-	-	-	20	1	65	66	1	20	-	-	-	SPARE
COMP CARE CLINIC C RECEPTACLES	1200	-	-	-	20	1	67	68	1	20	-	-	-	SPARE
COMP CARE CLINIC C RECEPTACLES	1200	-	-	-	20	1	69	70	1	20	-	-	-	SPARE
COMP CARE CLINIC C RECEPTACLES	1200	-	-	-	20	1	71	72	1	20	-	-	-	SPARE
COMP CARE CLINIC C RECEPTACLES	1200	-	-	-	20	1	73	74	1	20	-	-	-	SPARE
COMP CARE CLINIC C RECEPTACLES	1200	-	-	-	20	1	75	76	1	20	-	-	-	SPARE
COMP CARE CLINIC C RECEPTACLES	1200	-	-	-	20	1	77	78	1	20	-	-	-	SPARE
COMP CARE CLINIC C RECEPTACLES	1200	-	-	-	20	1	79	80	1	20	-	-	-	SPARE
COMP CARE CLINIC C RECEPTACLES	1200	-	-	-	20	1	81	82	1	20	-	-	-	SPARE
COMP CARE CLINIC C RECEPTACLES	1200	-	-	-	20	1	83	84	1	20	-	-	-	SPARE

LOCATION MOUNTING	SECOND FLOOR ELECTRIC ROOM SURFACE				PANEL RATING	PP2B 225A				VOLTAGE 120/208V, 3P-4W TYPE OF MAIN 225A M.L.O. 84 POLE				
DESCRIPTION	VOLTAMPS			FRAME	TRIP	POLES	CKTS	POLES	TRIP	FRAME	VOLTAMPS			DESCRIPTION
	#A	#B	#C								#A	#B	#C	
COMP CARE CLINIC D RECEPTACLES	1200	-	-	-	20	1	1	2	1	20	-	-	-	HYGIENE CLINIC RECEPTACLES
COMP CARE CLINIC D RECEPTACLES	1200	-	-	-	20	1	3	4	1	20	-	-	-	HYGIENE CLINIC RECEPTACLES
COMP CARE CLINIC D RECEPTACLES	1200	-	-	-	20	1	5	6	1	20	-	-	-	HYGIENE CLINIC RECEPTACLES
COMP CARE CLINIC D RECEPTACLES	1200	-	-	-	20	1	7	8	1	20	-	-	-	HYGIENE CLINIC RECEPTACLES
COMP CARE CLINIC D RECEPTACLES	1200	-	-	-	20	1	9	10	1	20	-	-	-	HYGIENE CLINIC RECEPTACLES
COMP CARE CLINIC D RECEPTACLES	1200	-	-	-	20	1	11	12	1	20	-	-	-	HYGIENE CLINIC RECEPTACLES
COMP CARE CLINIC D RECEPTACLES	1200	-	-	-	20	1	13	14	1	20	-	-	-	HYGIENE CLINIC RECEPTACLES
COMP CARE CLINIC D RECEPTACLES	1200	-	-	-	20	1	15	16	1	20	-	-	-	HYGIENE CLINIC RECEPTACLES
COMP CARE CLINIC D RECEPTACLES	1200	-	-	-	20	1	17	18	1	20	-	-	-	HYGIENE CLINIC RECEPTACLES
COMP CARE CLINIC D RECEPTACLES	1200	-	-	-	20	1	19	20	1	20	-	-	-	HYGIENE CLINIC RECEPTACLES
COMP CARE CLINIC D RECEPTACLES	1200	-	-	-	20	1	21	22	1	20	-	-	-	HYGIENE CLINIC RECEPTACLES
COMP CARE CLINIC D RECEPTACLES	1200	-	-	-	20	1	23	24	1	20	-	-	-	HYGIENE CLINIC RECEPTACLES
COMP CARE CLINIC D RECEPTACLES	1200	-	-	-	20	1	25	26	1	20	-	-	-	SPECIALTY CLINIC RECEPTACLES
COMP CARE CLINIC D RECEPTACLES	1200	-	-	-	20	1	27	28	1	20	-	-	-	SPECIALTY CLINIC RECEPTACLES
COMP CARE CLINIC D RECEPTACLES	1200	-	-	-	20	1	29	30	1	20	-	-	-	SPECIALTY CLINIC RECEPTACLES
COMP CARE CLINIC D RECEPTACLES	1200	-	-	-	20	1	31	32	1	20	-	-	-	SPECIALTY CLINIC RECEPTACLES
COMP CARE CLINIC D RECEPTACLES	1200	-	-	-	20	1	33	34	1	20	-	-	-	SPECIALTY CLINIC RECEPTACLES
COMP CARE CLINIC D RECEPTACLES	1200	-	-	-	20	1	35	36	1	20	-	-	-	SPECIALTY CLINIC RECEPTACLES
COMP CARE CLINIC D RECEPTACLES	1200	-	-	-	20	1	37	38	1	20	-	-	-	SPECIALTY CLINIC RECEPTACLES
COMP CARE CLINIC D RECEPTACLES	1200	-	-	-	20	1	39	40	1	20	-	-	-	SPECIALTY CLINIC RECEPTACLES
COMP CARE CLINIC D RECEPTACLES	1200	-	-	-	20	1	41	42	1	20	-	-	-	SPECIALTY CLINIC RECEPTACLES
COMP CARE CLINIC D RECEPTACLES	1200	-	-	-	20	1	43	44	1	20	-	-	-	SPECIALTY CLINIC RECEPTACLES
COMP CARE CLINIC D RECEPTACLES	1200	-	-	-	20	1	45	46	1	20	-	-	-	SPECIALTY CLINIC RECEPTACLES
COMP CARE CLINIC D RECEPTACLES	1200	-	-	-	20	1	47	48	1	20	-	-	-	SPECIALTY CLINIC RECEPTACLES
SPECIALTY CLINIC RECEPTACLES	1200	-	-	-	20	1	49	50	1	20	-	-	-	SPECIALTY CLINIC RECEPTACLES
SPECIALTY CLINIC RECEPTACLES	1200	-	-	-	20	1	51	52	1	20	-	-	-	SPECIALTY CLINIC RECEPTACLES
SPECIALTY CLINIC RECEPTACLES	1200	-	-	-	20	1	53	54	1	20	-	-	-	SPECIALTY CLINIC RECEPTACLES
SPECIALTY CLINIC RECEPTACLES	1200	-	-	-	20	1	55	56	1	20	-	-	-	SPECIALTY CLINIC RECEPTACLES
SPECIALTY CLINIC RECEPTACLES	1200	-	-	-	20	1	57	58	1	20	-	-	-	SPECIALTY CLINIC RECEPTACLES
SPECIALTY CLINIC RECEPTACLES	1200	-	-	-	20	1	59	60	1	20	-	-	-	SPECIALTY CLINIC RECEPTACLES
SPECIALTY CLINIC RECEPTACLES	1200	-	-	-	20	1	61	62	1	20	-	-	-	SPECIALTY CLINIC RECEPTACLES
SPECIALTY CLINIC RECEPTACLES	1200	-	-	-	20	1	63	64	1	20	-	-	-	SPECIALTY CLINIC RECEPTACLES
SPECIALTY CLINIC RECEPTACLES	1200	-	-	-	20	1	65	66	1	20	-	-	-	SPECIALTY CLINIC RECEPTACLES
SPECIALTY CLINIC RECEPTACLES	1200	-	-	-	20	1	67	68	1	20	-	-	-	SPECIALTY CLINIC RECEPTACLES
SPARE	-	-	-	-	20	1	69	70	1	20	-	-	-	SPECIALTY CLINIC RECEPTACLES
SPARE	-	-	-	-	20	1	71	72	1	20	-	-	-	SPECIALTY CLINIC RECEPTACLES
SPARE	-	-	-	-	20	1	73	74	1	20	-	-	-	SPECIALTY CLINIC RECEPTACLES
SPARE	-	-	-	-	20	1	75	76	1	20	-	-	-	SPECIALTY CLINIC RECEPTACLES
SPARE	-	-	-	-	20	1	77	78	1	20	-	-	-	SPECIALTY CLINIC RECEPTACLES
SPARE	-	-	-	-	20	1	79	80	1	20	-	-	-	SPECIALTY CLINIC RECEPTACLES
SPARE	-	-	-	-	20	1	81	82	1	20	-	-	-	SPECIALTY CLINIC RECEPTACLES
SPARE	-	-	-	-	20	1	83	84	1	20	-	-	-	SPECIALTY CLINIC RECEPTACLES

LOCATION MOUNTING	SECOND FLOOR ELECTRIC ROOM SURFACE				PANEL RATING	PP2C 400A				VOLTAGE 120/208V, 3P-4W TYPE OF MAIN 400A M.L.O. 84 POLE					
DESCRIPTION	VOLTAMPS			FRAME	TRIP	POLES	CKTS	POLES	TRIP	FRAME	VOLTAMPS			DESCRIPTION	
	#A	#B	#C								#A	#B	#C		
LARGE STERILIZER STEAM GENERATOR	15K	-	-	-	150	3	1	2	1	20	-	-	-	1440	LARGE STERILIZER
	15K	-	-	-	-	-	-	-	-	-	-	-	-	500	SMALL STERILIZER
															WATER SAVER & TREATMENT SYSTEM
SMALL STERILIZER STEAM GENERATOR	10K	-	-	-	100	3	7	8	1	20	-	-	-	1200	REFRIGERATOR
	10K	-	-	-	-	-	-	-	-	-	-	-	-	850	VISIBLE LIGHT CURING SYSTEM
															ACQUISITION UNIT
COUNTERTOP STERILIZER	1000	-	-	-	20	2	13	14	1	20	-	-	-	1200	POLISHING LATHE
	1000	-	-	-	-	-	-	-	-	-	-	-	-	1000	VIBRATOR
ULTRASONIC CLEANER	1080	-	-	-	20	1	17	18	1	20	-	-	-	1000	VIBRATOR
RECEPTACLES	1080	-	-	-	20	1	19	20	1	20	-	-	-	1000	VACUUM MIXERS
RECEPTACLES	900	-	-	-	20	1	21	22	1	20	-	-	-	1000	VACUUM FORMER
RECEPTACLES	1080	-	-	-	20	1	23	24	1	20	-	-	-	1000	DENTAL HANDPIECE MAINTENANCE SYSTEM
RECEPTACLES	1440	-	-	-	20	1	25	26	1	20	-	-	-	1000	DENTAL HANDPIECE MAINTENANCE SYSTEM
RECEPTACLES	1440	-	-	-	20	1	27	28	1	20	-	-	-	500	WATER TREATMENT SYSTEM
BATHROOM RECEPTACLES	1500	-	-	-	20	1	29	30	1	20	-	-	-	900	RECEPTACLES
SPECIALTY RESIDENT RECEPTACLES	1200	-	-	-	20	1	31	32	1	20	-	-	-	1200	ENCLOSED OPERATORY RECEPTACLES
SPECIALTY RESIDENT RECEPTACLES	1200	-	-	-	20	1	33	34	1	20	-	-	-	1200	ENCLOSED OPERATORY RECEPTACLES
SPECIALTY RESIDENT RECEPTACLES	1200	-	-	-	20										

IF THIS SHEET IS NOT 24 X 36 IT IS A REDUCED SCALE PRINT - SCALE ACCORDINGLY



LOCATION MOUNTING	SECOND FLOOR ELECTRIC ROOM SURFACE			PANEL PP2D 225A		VOLTAGE 120/208V, 3Ø-4W			TYPE OF MAIN	DESCRIPTION	
	8A	8B	8C	FRAME	TRIP	POLES	CKTS	TRIP			VOLTAGES
									84 POLE		
URGENT CARE RECEPTACLES				-	20	1	2	1	20	1000	LIGHTING
URGENT CARE RECEPTACLES	1200			-	20	1	3	4	1	1000	LIGHTING
URGENT CARE RECEPTACLES		1200		-	20	1	5	6	1	1000	LIGHTING
URGENT CARE RECEPTACLES	1200			-	20	1	7	8	1	1000	LIGHTING
URGENT CARE RECEPTACLES		1200		-	20	1	9	10	1	1400	LIGHTING
URGENT CARE RECEPTACLES			1200	-	20	1	11	12	1	1200	LIGHTING
URGENT CARE RECEPTACLES	1200			-	20	1	13	14	1	1600	LIGHTING
URGENT CARE RECEPTACLES		1200		-	20	1	15	16	1	1200	LIGHTING
URGENT CARE RECEPTACLES			1200	-	20	1	17	18	1	1300	LIGHTING
URGENT CARE RECEPTACLES	1200			-	20	1	19	20	1	100	LIGHTING
URGENT CARE RECEPTACLES		1200		-	20	1	21	22	1	900	LIGHTING
URGENT CARE RECEPTACLES			1200	-	20	1	23	24	1	1300	LIGHTING
URGENT CARE RECEPTACLES	1200			-	20	1	25	26	1	1200	X-RAY CHAIR RECEPTACLE
URGENT CARE RECEPTACLES		1200		-	20	1	27	28	1	1200	X-RAY CHAIR RECEPTACLE
URGENT CARE RECEPTACLES			1200	-	20	1	29	30	1	1200	X-RAY CHAIR RECEPTACLE
URGENT CARE RECEPTACLES	1200			-	20	1	31	32	3	6.8K	LG WASHER / DISINFECTOR
URGENT CARE RECEPTACLES		1200		-	20	1	33	34	-	6.8K	
SPARE				-	20	1	35	36	-		6.8K
E.W.C.	500			-	20	1	37	38	3	3000	SM WASHER / DISINFECTOR
BATH-ROOM RECEPTACLES		500		-	20	1	39	40	-	3000	
RECEPTACLES			1260	-	20	1	41	42	-		3000
RECEPTACLES	1080			-	20	1	43	44	1	1200	PAN-CHEP X-RAY
ROOF VENTILATORS		1200		-	20	1	45	46	1	1200	
ROOF VENTILATORS			800	-	20	1	47	48	1	1200	CONE BEAM
SPARE				-	20	1	49	50	1	1200	X-RAY
SPARE				-	20	1	51	52	1		X-RAY
SPARE				-	20	1	53	54	1	1200	X-RAY
SPARE				-	20	1	55	56	1		SPARE
SPARE				-	20	1	57	58	1		SPARE
SPARE				-	20	1	59	60	1		SPARE
SPARE				-	20	1	61	62	1		SPARE
SPARE				-	20	1	63	64	1		SPARE
SPARE				-	20	1	65	66	1		SPARE
SPARE				-	20	1	67	68	1		SPARE
SPARE				-	20	1	69	70	1		SPARE
SPARE				-	20	1	71	72	1		SPARE
SPARE				-	20	1	73	74	1		SPARE
SPARE				-	20	1	75	76	1		SPARE
SPARE				-	20	1	77	78	1		SPARE
SPARE				-	20	1	79	80	1		SPARE
SPARE				-	20	1	81	82	1		SPARE
SPARE				-	20	1	83	84	1		SPARE

LOCATION MOUNTING	BASEMENT EMERG. CLOSET SURFACE			PANEL LSB 200A		VOLTAGE 120/208V, 3Ø-4W			TYPE OF MAIN	DESCRIPTION	
	8A	8B	8C	FRAME	TRIP	POLES	CKTS	TRIP			VOLTAGES
									42 POLE		
EMERGENCY LIGHTING	300			-	20	1	1	2	1	20	BDA SIGNAL BOOSTER
ELEVATOR MACHINE ROOM LIGHTING	500			-	20	1	3	4	1	20	SPARE
ELEVATOR CAB LIGHT & ACCESSORIES		1000		-	20	1	5	6	1	20	SPARE
ELEVATOR PIT LIGHT	1000			-	20	1	7	8	1	20	SPARE
SPARE				-	20	1	9	10	1	20	SPARE
SPARE				-	20	1	11	12	1	20	SPARE
SPARE				-	20	1	13	14	1	20	SPARE
SPARE				-	20	1	15	16	1	20	SPARE
SPARE				-	20	1	17	18	1	20	SPARE
SPARE				-	20	1	19	20	1	20	SPARE
SPARE				-	20	1	21	22	1	20	SPARE
SPARE				-	20	1	23	24	1	20	SPARE
SPARE				-	20	1	25	26	1	20	SPARE
SPARE				-	20	1	27	28	1	20	SPARE
SPARE				-	20	1	29	30	1	20	SPARE
SPARE				-	20	1	31	32	3	60	PANEL 151
SPARE				-	20	1	33	34	-	1500	
SPARE				-	20	1	35	36	-	1500	
SPARE				-	20	1	37	38	3	60	PANEL 152
SPARE				-	20	1	39	40	-	250	
SPARE				-	20	1	41	42	-	250	

LOCATION MOUNTING	FIRST FLOOR EMERG. CLOSET SURFACE			PANEL LSI 100A		VOLTAGE 120/208V, 3Ø-4W			TYPE OF MAIN	DESCRIPTION	
	8A	8B	8C	FRAME	TRIP	POLES	CKTS	TRIP			VOLTAGES
									42 POLE		
EMERGENCY LIGHTING	450			-	20	1	1	2	1	20	STAR LIGHTING
MED GAS MANFOLD	500			-	20	1	3	4	1	20	STAR LIGHTING
SPARE				-	20	1	5	6	1	20	EXTERIOR EGRESS LIGHTING
ELEVATOR MACHINE ROOM LIGHTING	500			-	20	1	7	8	1	20	FIRE ALARM CONTROL PANEL
EMERGENCY LIGHTING	1336			-	20	1	9	10	1	20	BI-DIRECTIONAL AMPLIFIER
EMERGENCY LIGHTING		1231		-	20	1	11	12	1	20	N.A.C. BOOSTER
EMERGENCY LIGHTING	530			-	20	1	13	14	1	20	BDA SIGNAL BOOSTER
SPARE				-	20	1	15	16	1	20	ELEVATOR PIT LIGHT
SPARE				-	20	1	17	18	1	20	500 ELEVATOR CAB LIGHT & ACCESSORIES
SPARE				-	20	1	19	20	1	20	SPARE
SPARE				-	20	1	21	22	1	20	SPARE
SPARE				-	20	1	23	24	1	20	SPARE
SPARE				-	20	1	25	26	1	20	SPARE
SPARE				-	20	1	27	28	1	20	SPARE
SPARE				-	20	1	29	30	1	20	SPARE
SPARE				-	20	1	31	32	1	20	SPARE
SPARE				-	20	1	33	34	1	20	SPARE
SPARE				-	20	1	35	36	1	20	SPARE
SPARE				-	20	1	37	38	1	20	SPARE
SPARE				-	20	1	39	40	1	20	SPARE
SPARE				-	20	1	41	42	1	20	SPARE

LOCATION MOUNTING	SECOND FLOOR EMERG. CLOSET SURFACE			PANEL LS2 100A		VOLTAGE 120/208V, 3Ø-4W			TYPE OF MAIN	DESCRIPTION	
	8A	8B	8C	FRAME	TRIP	POLES	CKTS	TRIP			VOLTAGES
									42 POLE		
EMERGENCY LIGHTING	450			-	20	1	1	2	1	20	BDA SIGNAL BOOSTER
EMERGENCY LIGHTING		100		-	20	1	3	4	1	20	N.A.C. BOOSTER
EMERGENCY LIGHTING			1500	-	20	1	5	6	1	20	N.A.C. BOOSTER
EMERGENCY LIGHTING	1000			-	20	1	7	8	1	20	ALARM PANEL
EMERGENCY LIGHTING		100		-	20	1	9	10	1	20	SPARE
FIRE SHUTTER COIL DOORS		865		-	20	1	11	12	1	20	SPARE
FIRE SHUTTER COIL DOORS	865			-	20	1	13	14	1	20	SPARE
FIRE SHUTTER COIL DOORS			865	-	20	1	15	16	1	20	SPARE
SPARE				-	20	1	17	18	1	20	SPARE
SPARE				-	20	1	19	20	1	20	SPARE
SPARE				-	20	1	21	22	1	20	SPARE
SPARE				-	20	1	23	24	1	20	SPARE
SPARE				-	20	1	25	26	1	20	SPARE
SPARE				-	20	1	27	28	1	20	SPARE
SPARE				-	20	1	29	30	1	20	SPARE
SPARE				-	20	1	31	32	1	20	SPARE
SPARE				-	20	1	33	34	1	20	SPARE
SPARE				-	20	1	35	36	1	20	SPARE
SPARE				-	20	1	37	38	1	20	SPARE
SPARE				-	20	1	39	40	1	20	SPARE
SPARE				-	20	1	41	42	1	20	SPARE

LOCATION MOUNTING	MAIN ELECTRIC ROOM SURFACE			PANEL MFB 225A		VOLTAGE 120/208V, 3Ø-4W			TYPE OF MAIN	DESCRIPTION	
	8A	8B	8C	FRAME	TRIP	POLES	CKTS	TRIP			VOLTAGES
									42 POLE		
HP-1	200			-	20	2	1	2	3	20	P-1 & P-2 (STD BY)
	200			-	20	3	4	-	-	1585	
HP-2		200		-	20	2	5	6	-	1585	
	200			-	20	7	8	3	30	2500	EJECTOR PUMPS
B-1		500		-	20	1	9	10	-	2500	
B-2			500	-	20	1	11	12	-	2500	
BOLER CRC. PUMP	800			-	20	3	13	14	1	500	WATER HEATER
	800			-	20	15	16	1	20	500	CRC. PUMP
BOLER CRC. PUMP	800			-	20	3	19	20	1	250	CRC. PUMP
	800			-	20	21	22	1	20	750	CUH-1
		800		-	20	23	24	1	20	500	UN-1, UH-2 & UH-3
			800	-	20	1	25	26	1	1000	EF-1
FPT-109 & FPT-110	1475			-	20	1	27	28	1	20	BE-1 & BE-2
FPT-101 & FPT-102	910			-	20	1	29	30	1	20	500 ULTRAVIOLET STERILIZER
FPT-107 & FPT-108		1475		-	20	1	31	32	1	20	1000 ELEVATOR SLIP PUMP
FPT-105 & FPT-106	1740			-	20	1	33	34	1	20	SPARE
FPT-103 & FPT-104	1740			-	20	1	35	36	1	20	SPARE
SPARE				-	20	1	37	38	1	20	SPARE
SPARE				-	20	1	39	40	1	20	SPARE
SPARE				-	20	1	41	42	1	20	SPARE

LOCATION MOUNTING	MAIN ELECTRIC ROOM SURFACE			PANEL MP2 100A		VOLTAGE 120/208V, 3Ø-4W			TYPE OF MAIN	DESCRIPTION	
	8A	8B	8C	FRAME	TRIP	POLES	CKTS	TRIP			VOLTAGES
									60 POLE		
RTU-1	20.7K			-	200	3	1	2	3	30	2500 HRV-1
	20.7K			-	200	4	-	-	-	2500	
RTU-2	20.7K			-	200	5	6	-	-	2500	
	20.7K			-	200	7	8	3	30	2500	HRV-2
RTU-3	20.7K			-	200	9	10	-	-	2500	
	20.7K			-	200	11	12	-	-	2500	

IF THIS SHEET IS NOT 24 X 36 IT IS A REDUCED SCALE PRINT - SCALE ACCORDINGLY



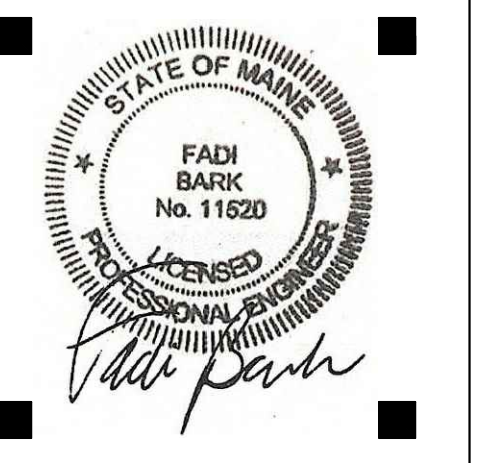
LOCATION MOUNTING	MAIN ELECTRIC ROOM SURFACE			PANEL RATING			EMB 800A			VOLTAGE 120/208V, 3Ø-4W			TYPE OF MAIN 800A M.L.O. 42 POLE		
DESCRIPTION	VOLTAMPS			FRAME	TRIP	POLES	CKTS	POLES	TRIP	FRAME	VOLTAMPS			DESCRIPTION	
	ØA	ØB	ØC								ØA	ØB	ØC		
VACUUM PUMPS	27.4K			-	400	3	1	2	1	20	-			WET SEPARATOR SOLENOID	
	27.4K			-	-	3	4	1	20	-	500			WET TANK	
		27.4K		-	-	5	6	1	20	-			500	DRY TANK	
SPARE	-	-	-	-	20	1	7	8	1	20	-	-	-	SPARE	
SPARE	-	-	-	-	20	1	9	10	1	20	-	-	-	SPARE	
SPARE	-	-	-	-	20	1	11	12	1	20	-	-	500	DENTAL AIR CONTROLLER	
SPARE	-	-	-	-	20	1	13	14	1	20	-	1500	-	TEL/DATA RECEPTACLES	
SPARE	-	-	-	-	20	1	15	16	1	20	-	1500	-	TEL/DATA RECEPTACLES	
SPARE	-	-	-	-	20	1	17	18	1	20	-	-	1500	TEL/DATA RECEPTACLES	
DENTAL AIR	20.3K			-	350	3	19	20	1	20	-	1500	-	TEL/DATA RECEPTACLES	
	20.3K			-	-	-	21	22	1	20	-	500	-	JACKET WATER HEATER	
	20.3K			-	-	-	23	24	1	20	-	-	500	BATTERY CHARGER	
COMPRESSED AIR DRYER	1075			-	20	3	25	26	1	20	-	-	-	SPARE	
	1075			-	-	-	27	28	1	20	-	-	-	SPARE	
	1075			-	-	-	29	30	1	20	-	-	-	SPARE	
COMPRESSED AIR DRYER	1075			-	20	3	31	32	3	100	-	-	-	PANEL "EM"	
	1075			-	-	-	33	34	-	-	-	-	-		
	1075			-	-	-	35	36	-	-	-	-	-		
SPARE	-	-	-	-	20	1	37	38	3	100	-	4800	-	PANEL "EM"	
SPARE	-	-	-	-	20	1	39	40	-	-	-	4800	-		
SPARE	-	-	-	-	20	1	41	42	-	-	-	4800	-		

LOCATION MOUNTING	FIRST FLOOR ELEC. CLOSET SURFACE			PANEL RATING			EMI 100A			VOLTAGE 120/208V, 3Ø-4W			TYPE OF MAIN 100A M.L.O. 42 POLE		
DESCRIPTION	VOLTAMPS			FRAME	TRIP	POLES	CKTS	POLES	TRIP	FRAME	VOLTAMPS			DESCRIPTION	
	ØA	ØB	ØC								ØA	ØB	ØC		
RECEPTACLES	1000			-	20	1	1	2	1	20	-	4000	-	TRIPLEX COMPRESSOR	
RECEPTACLES	1000			-	20	1	3	4	1	20	-	4000	-		
CARD ACCESS SYSTEM			500	-	20	1	5	6	1	20	-	4000	-		
SPARE	-	-	-	-	20	1	7	8	1	20	-	500	-	AIR DRYER	
SPARE	-	-	-	-	20	1	9	10	1	20	-	-	-	SPARE	
SPARE	-	-	-	-	20	1	11	12	1	20	-	-	-	SPARE	
SPARE	-	-	-	-	20	1	13	14	1	20	-	-	-	SPARE	
SPARE	-	-	-	-	20	1	15	16	1	20	-	-	-	SPARE	
SPARE	-	-	-	-	20	1	17	18	1	20	-	-	-	SPARE	
SPARE	-	-	-	-	20	1	19	20	1	20	-	-	-	SPARE	
SPARE	-	-	-	-	20	1	21	22	1	20	-	-	-	SPARE	
SPARE	-	-	-	-	20	1	23	24	1	20	-	-	-	SPARE	
SPARE	-	-	-	-	20	1	25	26	1	20	-	-	-	SPARE	
SPARE	-	-	-	-	20	1	27	28	1	20	-	-	-	SPARE	
SPARE	-	-	-	-	20	1	29	30	1	20	-	-	-	SPARE	
SPARE	-	-	-	-	20	1	31	32	1	20	-	-	-	SPARE	
SPARE	-	-	-	-	20	1	33	34	1	20	-	-	-	SPARE	
SPARE	-	-	-	-	20	1	35	36	1	20	-	-	-	SPARE	
SPARE	-	-	-	-	20	1	37	38	1	20	-	-	-	SPARE	
SPARE	-	-	-	-	20	1	39	40	1	20	-	-	-	SPARE	
SPARE	-	-	-	-	20	1	41	42	1	20	-	-	-	SPARE	

LOCATION MOUNTING	SECOND FLOOR ELEC. CLOSET SURFACE			PANEL RATING			EM2 100A			VOLTAGE 120/208V, 3Ø-4W			TYPE OF MAIN 100A M.L.O. 42 POLE		
DESCRIPTION	VOLTAMPS			FRAME	TRIP	POLES	CKTS	POLES	TRIP	FRAME	VOLTAMPS			DESCRIPTION	
	ØA	ØB	ØC								ØA	ØB	ØC		
ENCLOSED OPERATORY RECEPTACLES	1200			-	20	1	1	2	1	20	-	-	-	SPARE	
ENCLOSED OPERATORY RECEPTACLES	1200			-	20	1	3	4	1	20	-	-	-	SPARE	
ENCLOSED OPERATORY RECEPTACLES			1200	-	20	1	5	6	1	20	-	-	-	SPARE	
ENCLOSED OPERATORY RECEPTACLES	1200			-	20	1	7	8	1	20	-	-	-	SPARE	
ENCLOSED OPERATORY RECEPTACLES	1200			-	20	1	9	10	1	20	-	-	-	SPARE	
ENCLOSED OPERATORY RECEPTACLES			1200	-	20	1	11	12	1	20	-	-	-	SPARE	
ENCLOSED OPERATORY RECEPTACLES	1200			-	20	1	13	14	1	20	-	-	-	SPARE	
ENCLOSED OPERATORY RECEPTACLES	1200			-	20	1	15	16	1	20	-	-	-	SPARE	
ENCLOSED OPERATORY RECEPTACLES			1200	-	20	1	17	18	1	20	-	-	-	SPARE	
ENCLOSED OPERATORY RECEPTACLES	1200			-	20	1	19	20	1	20	-	-	-	SPARE	
ENCLOSED OPERATORY RECEPTACLES	1200			-	20	1	21	22	1	20	-	-	-	SPARE	
ENCLOSED OPERATORY RECEPTACLES			1200	-	20	1	23	24	1	20	-	-	-	SPARE	
SPARE	-	-	-	-	20	1	25	26	1	20	-	-	-	SPARE	
SPARE	-	-	-	-	20	1	27	28	1	20	-	-	-	SPARE	
SPARE	-	-	-	-	20	1	29	30	1	20	-	-	-	SPARE	
SPARE	-	-	-	-	20	1	31	32	1	20	-	-	-	SPARE	
SPARE	-	-	-	-	20	1	33	34	1	20	-	-	-	SPARE	
SPARE	-	-	-	-	20	1	35	36	1	20	-	-	-	SPARE	
SPARE	-	-	-	-	20	1	37	38	1	20	-	-	-	SPARE	
SPARE	-	-	-	-	20	1	39	40	1	20	-	-	-	SPARE	
SPARE	-	-	-	-	20	1	41	42	1	20	-	-	-	SPARE	



65 NEWBURY STREET
 PORTLAND, ME 04101
 207.761.9000
 info@portcityarch.com
 WWW.PORTCITYARCH.COM



CONSULTANTS

Kahler Slater
experience design

BECKER
CORPORATION

VVA
Vincent A. Dilorio Inc.

ED HE
E.D.E. INC.
23 WHITNEY WAY
TOPSHAM, ME 04086
207-449-4275

Site Design Associates
 23 Whitney Way
 Topsham, Maine 04086
 207-449-4275

REVISIONS		
No.	Description	Date
Δ	Addendum #8	7/29/12
Δ	Addendum #9	8/6/12
Δ	First Floor Redesign	1/09/13

CONSTRUCTION DOCUMENTS

UNIVERSITY OF NEW ENGLAND
 PORTLAND, MAINE

PATIENT CARE CENTER
 INTERIOR FIT-OUT

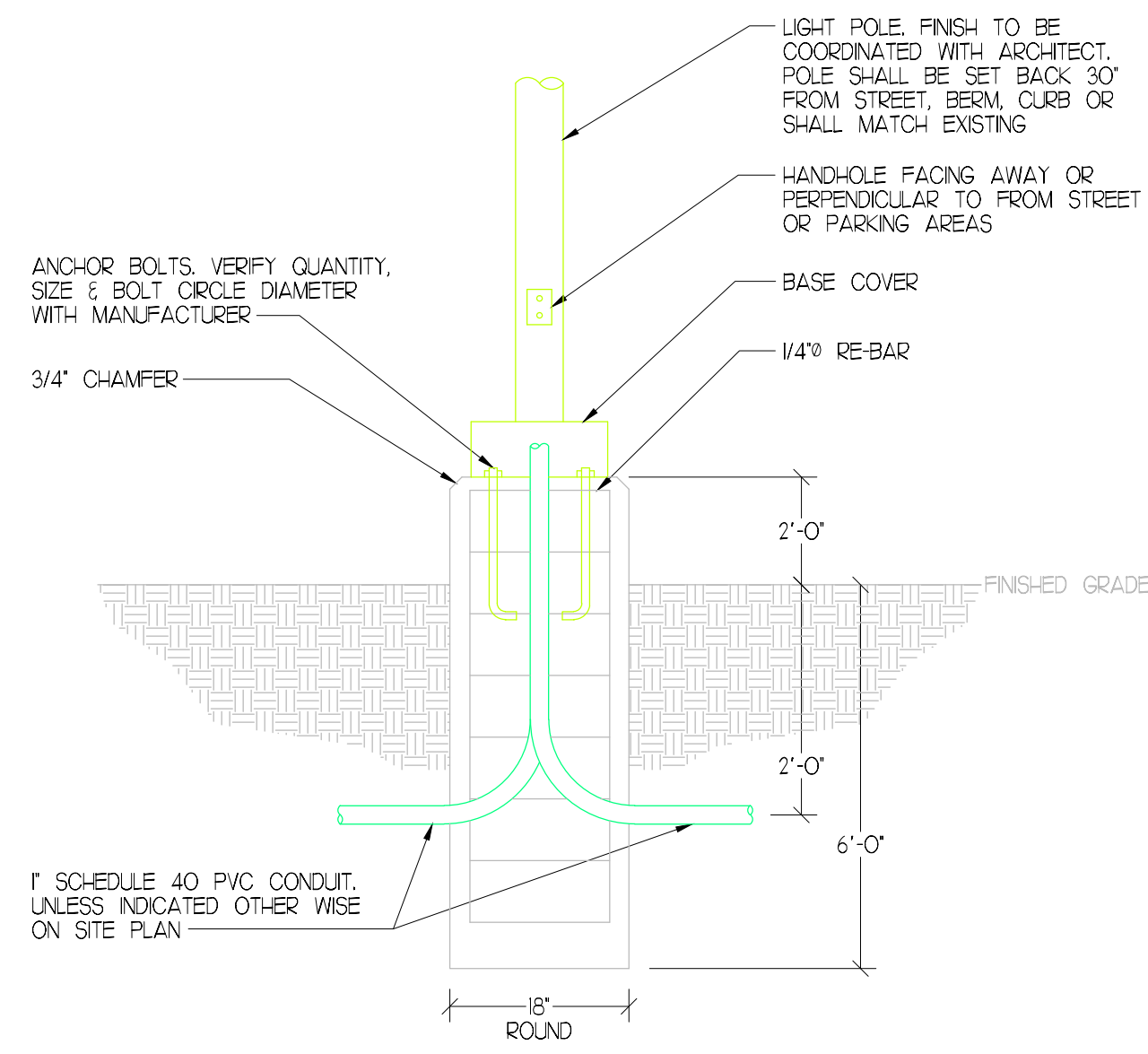
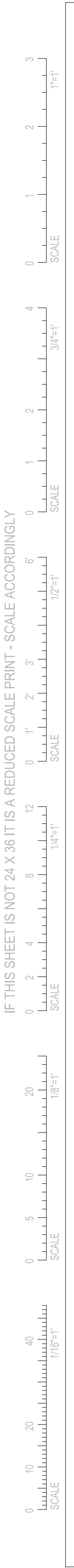
PANELBOARD SCHEDULES

Project Number 12502
 Date January 9, 2013
 Drawn by JMS
 Checked by VADjr

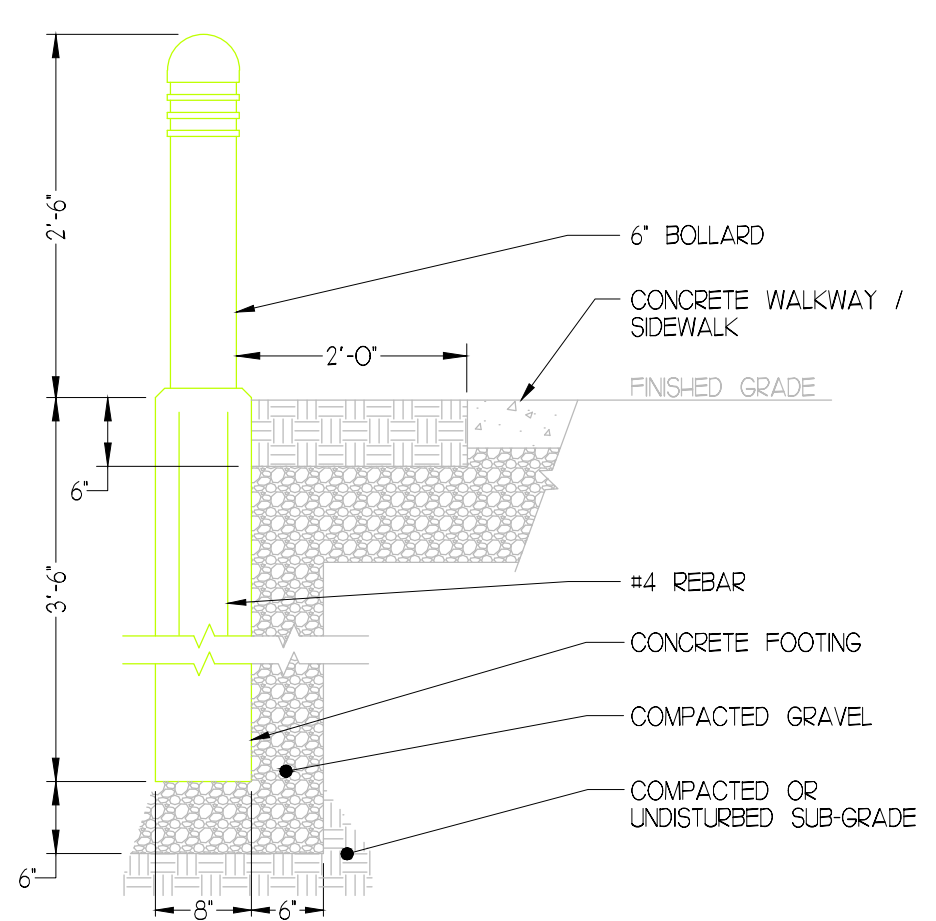
E4.05

Scale N.T.S.

IF THIS SHEET IS NOT 24 X 36 IT IS A REDUCED SCALE PRINT - SCALE ACCORDINGLY



POLE BASE DETAIL
SCALE: NOT TO SCALE



BOLLARD FIXTURE
SCALE: NOT TO SCALE



65 NEWBURY STREET
PORTLAND, ME 04101
207.761.9000
info@portcityarch.com
WWW.PORTCITYARCH.COM



- CONSULTANTS
- Kahler Slater**
experience design
- BECKER**
ENGINEERS ARCHITECTS
- VAD**
Vincent A. Dilorio
Inc.
- EDE**
E.D.E. INC.
ENGINEERING DESIGNERS
ARCHITECTS
135 W. 10TH STREET
PORTLAND, ME 04101
207.761.9000
www.edeinc.com

Site Design Associates
23 Whitney Way
Topsham, Maine 04086
207-449-4275

REVISIONS		
No.	Description	Date
1	Addendum #8	7/29/12
2	Addendum #9	8/16/12
3	First Floor Redesign	1/09/13

CONSTRUCTION DOCUMENTS

UNIVERSITY OF
NEW ENGLAND
PORTLAND, MAINE

PATIENT CARE
CENTER
INTERIOR FIT-OUT

SITE LIGHTING PLAN

Project Number 12502
Date January 9, 2013
Drawn by JMS
Checked by VADjr

ES1.01

Scale 1"=30'-0"

IF THIS SHEET IS NOT 24 X 36 IT IS A REDUCED SCALE PRINT - SCALE ACCORDINGLY

SCALE 1"=1'

SCALE 3/4"=1'

SCALE 1/2"=1'

SCALE 1/4"=1'

SCALE 1/8"=1'

SCALE 1/16"=1'

SCALE 1/32"=1'

SCALE 1/64"=1'

SCALE 1/128"=1'

SCALE 1/256"=1'

SCALE 1/512"=1'

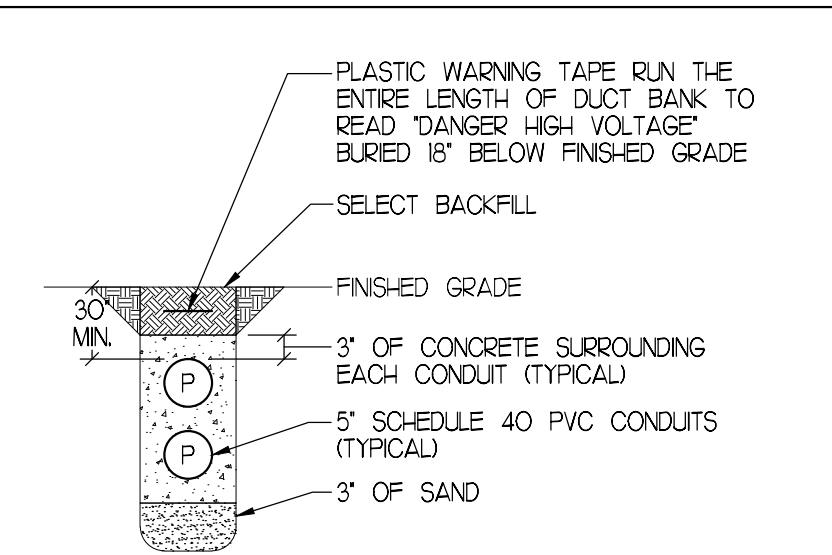
SCALE 1/1024"=1'

SCALE 1/2048"=1'

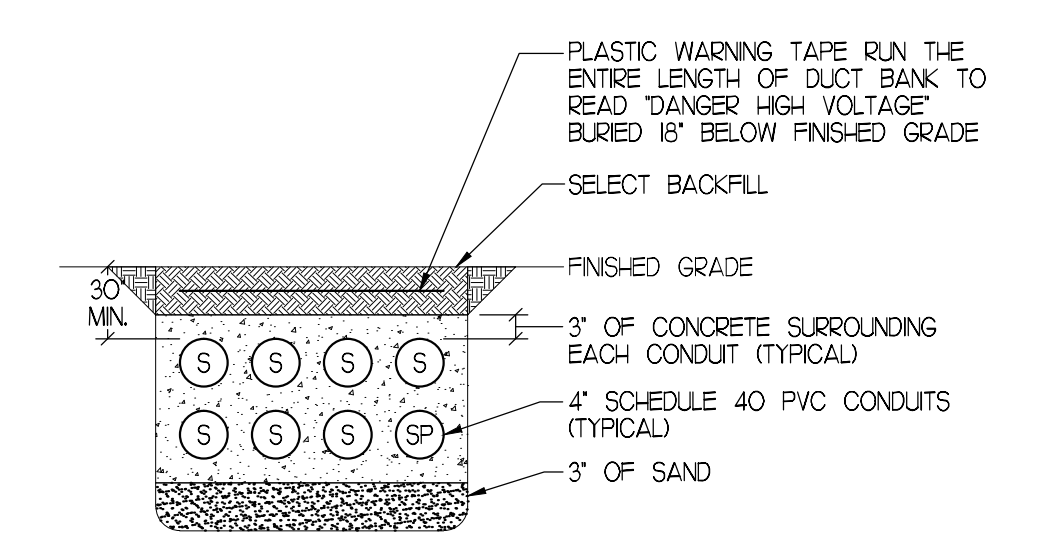
SCALE 1/4096"=1'

SCALE 1/8192"=1'

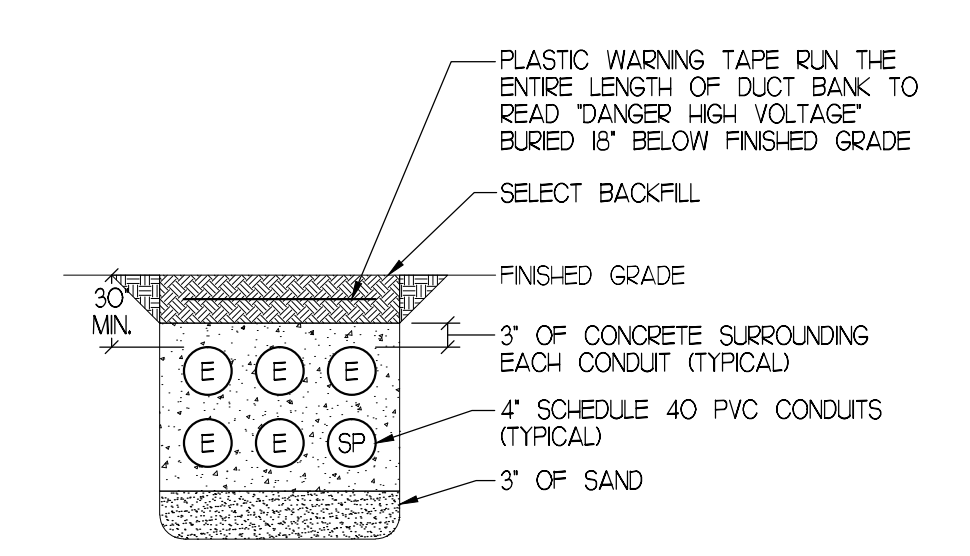
SCALE 1/16384"=1'



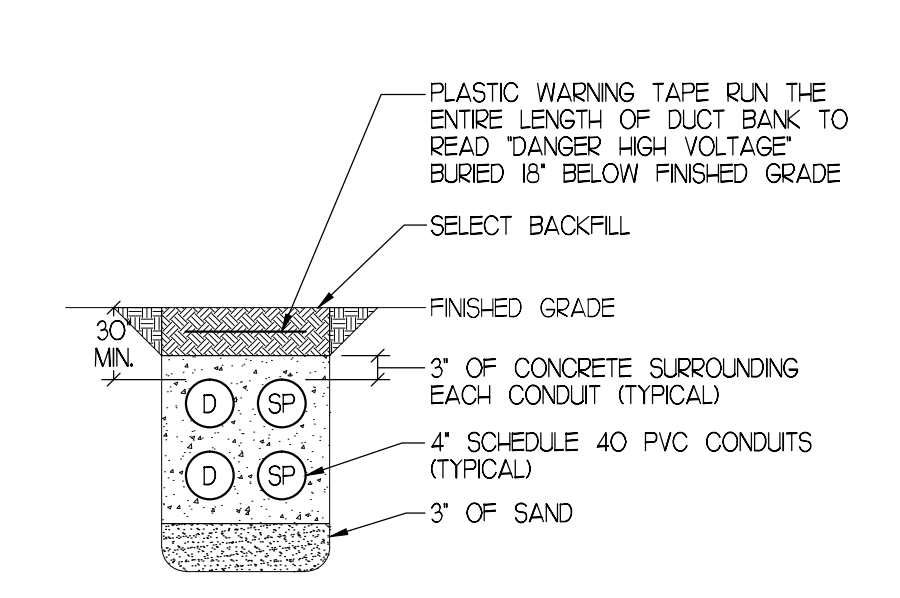
SECTION A-A
NO SCALE



SECTION B-B
NO SCALE



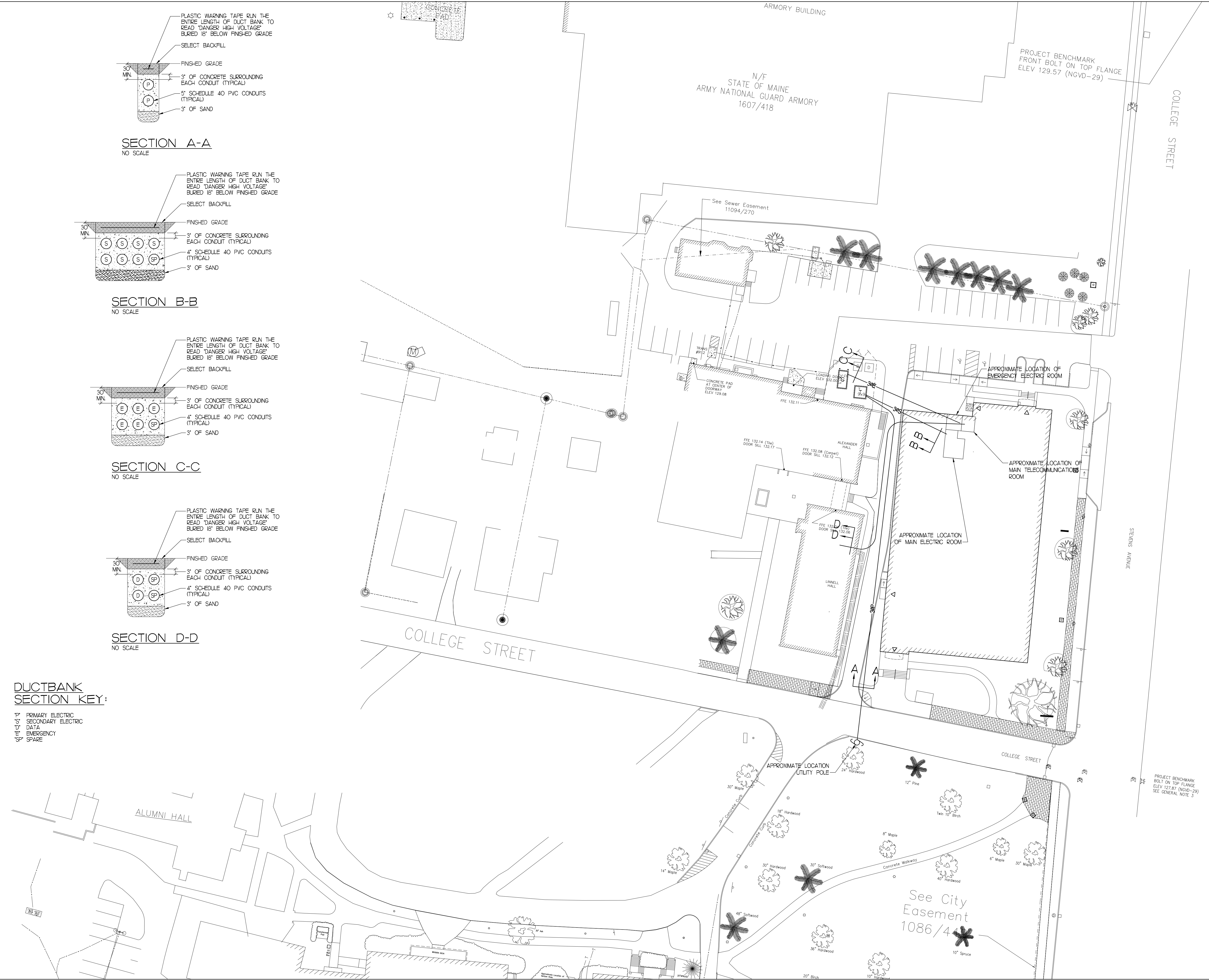
SECTION C-C
NO SCALE



SECTION D-D
NO SCALE

DUCTBANK SECTION KEY:

- PRIMARY ELECTRIC
- SECONDARY ELECTRIC
- DATA
- EMERGENCY
- SPARE



PORT CITY ARCHITECTURE

65 NEWBURY STREET
PORTLAND, ME 04101
207.761.9000
info@portcityarch.com
WWW.PORTCITYARCH.COM

CONSULTANTS

Kahler Slater
experience design

BECKER
ENGINEERING ARCHITECTURE

VADjr
Vincent A. Dilorio, Inc.

EDE INC.
ELECTRICAL DESIGN ENGINEERS

Site Design Associates
23 Whitney Way
Topsham, Maine 04086
207-449-4275

REVISIONS

No.	Description	Date
1	Addendum #8	7/29/12
2	Addendum #9	8/6/12
3	First Floor Redesign	1/09/13

CONSTRUCTION DOCUMENTS

UNIVERSITY OF NEW ENGLAND
PORTLAND, MAINE

PATIENT CARE CENTER
INTERIOR FIT-OUT

SITE POWER DISTRIBUTION PLAN

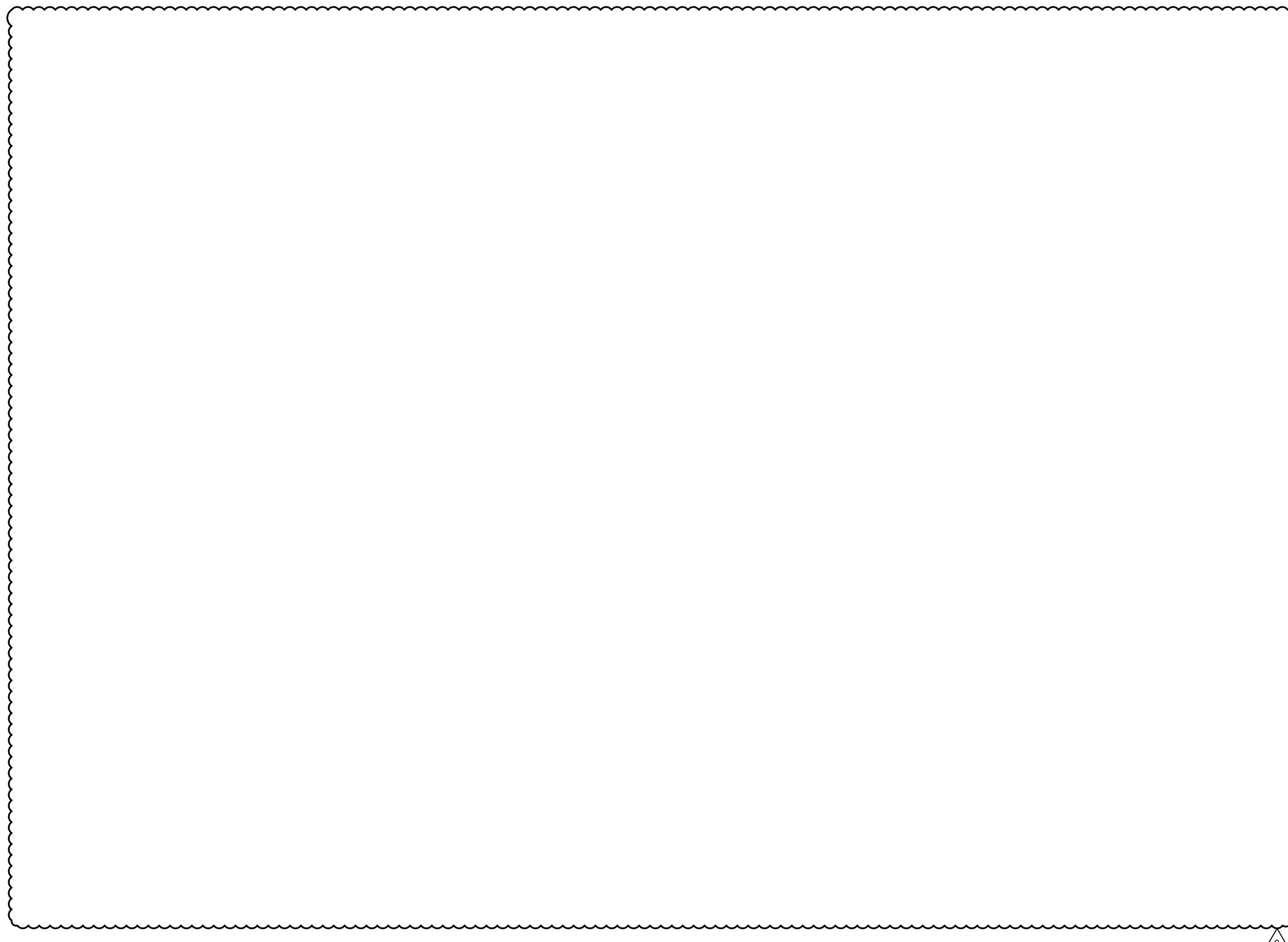
Project Number: 12502
Date: January 9, 2013
Drawn by: JMS
Checked by: VADjr

ES2.01

Scale: 1"=30'-0"

COPYRIGHT: Reuse or reproduction of the contents of this document is not permitted without written permission of PORT CITY ARCHITECTURE PA

IF THIS SHEET IS NOT 24 X 36 IT IS A REDUCED SCALE PRINT - SCALE ACCORDINGLY



FIRE ALARM LEGEND

- 75cd FIRE ALARM SYSTEM ADA TYPE 90db/75cd HORN/STROBE UNIT WALL MOUNTED 80' ABOVE FINISHED FLOOR OR 6' BELOW FINISHED CEILING WHICHEVER IS LOWER
15cd FIRE ALARM SYSTEM ADA TYPE 15cd STROBE ONLY UNIT, WALL MOUNTED 80' ABOVE FINISHED FLOOR OR 6' BELOW FINISHED CEILING WHICHEVER IS LOWER
75cd CHIME FIRE ALARM SYSTEM ADA TYPE 75cd CHIME, WALL MOUNTED 80' ABOVE FINISHED FLOOR OR 6' BELOW FINISHED CEILING WHICHEVER IS LOWER
75cd HORN/STROBE FIRE ALARM SYSTEM ADA TYPE CEILING MOUNTED 75db/75cd HORN/STROBE UNIT
MANUAL PULL STATION, MOUNTED 48" ABOVE FINISHED FLOOR
CEILING MOUNTED PHOTOELECTRIC, SYSTEM TYPE SMOKE DETECTOR
CEILING MOUNTED PHOTOELECTRIC, SYSTEM TYPE SMOKE DETECTOR FOR ELEVATOR RECALL, ELEVATOR SHALL PERFORM RECALL UPON INITIATION OF RESPECTIVE DEVICE
DUCT MOUNTED SMOKE DETECTOR, UPON ACTIVATION, THE RESPECTIVE AIR HANDLING UNIT, AND ASSOCIATED SMOKE AND FIRE DAMPERS SHALL BE DE-ACTIVATED
AUTOMATIC HEAT DETECTOR 165 DEGREES FIXED TEMPERATURE WITH ZONE ADDRESSABLE MODULE
CEILING MOUNTED PHOTOELECTRIC, SYSTEM CARBON MONOXIDE (CO) DETECTOR
FIRE ALARM SYSTEM MASTER BOX
FIRE ALARM CONTROL PANEL, "FACP"
FIRE ALARM BI-DIRECTIONAL AMPLIFIER "BDA"
FIRE ALARM ANNUNCIATOR, "FAA"
FIRE ALARM WEATHER-PROOF BEACON
FIRE ALARM SYSTEM DOOR HOLDER
FIRE PROTECTION SYSTEM FLOW SWITCH, FURNISHED AND INSTALLED BY THE SPRINKLER CONTRACTOR, WIRED BY ELECTRICAL CONTRACTOR.
FIRE PROTECTION SYSTEM TAMPER SWITCH, FURNISHED AND INSTALLED BY THE SPRINKLER CONTRACTOR, WIRED BY ELECTRICAL CONTRACTOR.
FIRE PROTECTION SYSTEM PRESSURE SWITCH, FURNISHED AND INSTALLED BY THE SPRINKLER CONTRACTOR, WIRED BY ELECTRICAL CONTRACTOR.
REMOTE INDICATOR
REMOTE INDICATOR W/ TEST STATION
ADDRESSABLE MONITOR MODULE CONTROL MODULE
KNOX BOX
24/0 HOUR BATTERY
AUXILIARY POWER SUPPLY 6 AMPS / 24 VOLTS WITH 4 NOTIFICATIONS CIRCUITS, NOTIFIER CAT. NO. FOPS-2456 WITH BATTERY BACK-UP AND INTEGRAL CHARGER
POWER LIMITED FIRE ALARM CABLE TYPE "FPLP"

FIRE ALARM NOTES:

- 1. ELECTRICAL CONTRACTOR SHALL FURNISH AND INSTALL A COMPLETE ANALOG/ ADDRESSABLE MICRO-PROCESSOR BASED, FIRE ALARM SYSTEM AS INDICATED AND AS SPECIFIED. ALL FIRE ALARM CIRCUIT WIRING SHALL BE POWER LIMITED FIRE ALARM CABLE, ALDIO/VISUAL CIRCUITS SHALL BE 284 POWER LIMITED FIRE ALARM CABLE, AS MENTIONED ABOVE. CIRCUITS SHALL BE ARRANGED CLASS 'A'.
2. ELECTRICAL CONTRACTOR SHALL UTILIZE ALARM VERIFICATION AS A STANDARD FEATURE FOR ALL ADDRESSABLE SMOKE DETECTORS.
3. THE CONTRACTOR, BEFORE INSTALLATION OR PROCUREMENT OF EQUIPMENT, SHALL SUBMIT A SHOP DRAWING OF ALL THE DEVICES BEING SUPPLIED FOR THIS PROJECT. THE SHOP DRAWING SHALL INCLUDE, AS PART OF THE SUBMITTAL PACKAGE, A ONE-LINE DIAGRAM INDICATING HOW THE SYSTEM WILL OPERATE.
4. ALL PULL AND JUNCTION BOXES AS WELL AS 6' OF ANY CONDUIT ENTERING OR LEAVING ANY PULL OR JUNCTION BOX SHALL BE PAINTED RED.
5. FIRE ALARM SYSTEM SHALL BE MANUFACTURED BY NOTIFIER.
6. ELECTRICAL CONTRACTOR TO PROVIDE CONDUIT AND CABLE AS REQUIRED BY ELEVATOR INSTALLER TO FACILITATE ELEVATOR RECALL UPON ACTIVATION OF FIRE ALARM SYSTEM.
7. UPON ACTIVATION OF AIR HANDLING UNIT DUCT SMOKE DETECTOR THE RESPECTIVE UNIT AND ASSOCIATED SMOKE AND FIRE DAMPERS SHALL BE DE-ACTIVATED.
8. UPON ACTIVATION OF ELEVATOR CIRCUIT BREAKER SHUNT TRIP COIL THE ELEVATOR FEEDER SHALL BE DE-ENERGIZED.
9. ELECTRICAL CONTRACTOR SHALL BE RESPONSIBLE FOR A SET OF AS-BUILT DRAWINGS OF THE FIRE ALARM SYSTEM AS-BUILT DRAWINGS SHALL INDICATE THE LOCATION OF THE CONTROL PANEL, ALL FIRE ALARM DEVICES AND WIRING INSTALLED. AS-BUILT DRAWINGS SHALL BE TURNED OVER TO THE OWNER'S PROJECT REPRESENTATIVE.
10. ELECTRICAL CONTRACTOR SHALL BE RESPONSIBLE FOR CONNECTING THE FIRE ALARM SYSTEM COMMUNICATOR TO AN UL APPROVED CENTRAL STATION USING 4/C #24 CAT3 CABLES.
11. THE ELECTRICAL CONTRACTOR SHALL BE RESPONSIBLE FOR PROVIDING AN ANNUNCIATOR THAT INDICATES ALL ADDRESSABLE DEVICES TO BE INSTALLED AT THE MAIN ENTRANCE.
12. THE FIRE ALARM SYSTEM SHALL BE IN ACCORDANCE WITH NFPA 72. ANY CHANGES TO THE SYSTEM DESIGN SHALL BE PRE-APPROVED BY THE LOCAL FIRE DEPARTMENT AND VINCENT A. D'ORIO INC.
13. FIRE ALARM ONE-LINE DIAGRAM IS COMPLEMENTARY TO THE FLOOR PLAN, WHERE A CONFLICT ARISES THE MOST STRINGENT CONDITION SHALL PREVAIL.
14. ALL AUDIO/VISUAL DEVICES SHALL BE SYNCHRONIZED CODE 3, TEMPORAL PATTERN.
15. ELECTRICAL CONTRACTOR SHALL COORDINATE WITH THE LOCAL FIRE DEPARTMENT, THE TESTING FOR A BI-DIRECTIONAL ANTENNA SYSTEM TESTING SHALL COMMENCE ONCE THE BUILDING IS COMPLETE BASED ON TEST RESULTS A DETERMINATION SHALL BE MADE TO INSTALL THE SYSTEM.
16. UPON ACTIVATION OF THE FIRE ALARM SYSTEM, ALL THE MAGNETIC DOOR HOLDERS SHALL BE DE-ENERGIZED TO ALLOW DOORS TO SWING CLOSED.
17. UPON ACTIVATION OF THE FIRE ALARM SYSTEM, THE FIRE SHUTTERS SHALL CLOSE.



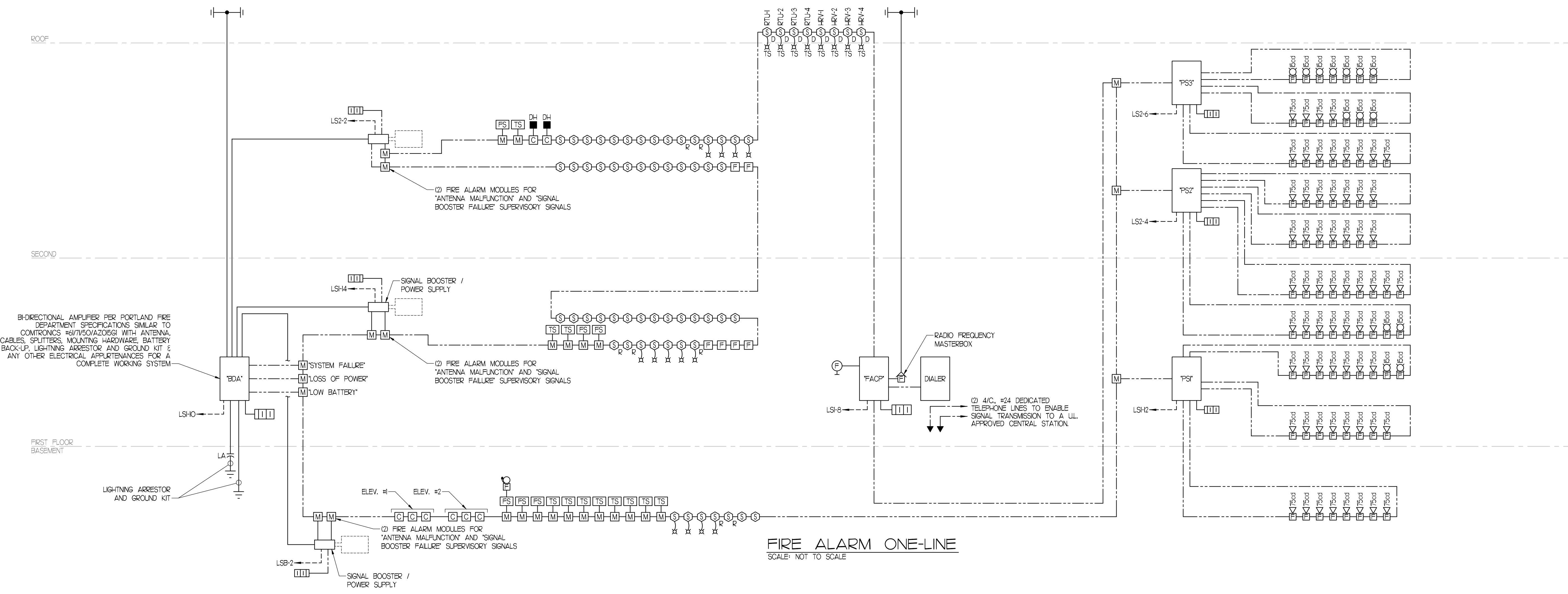
65 NEWBURY STREET
PORTLAND, ME 04101
207.761.9000
info@portcityarch.com
WWW.PORTCITYARCH.COM



CONSULTANTS
Kahler Slater
BECKER
Vincent A. D'Orio Inc.
ED HE
Site Design Associates
23 Whitney Way
Topsham, Maine 04086
207-449-4275

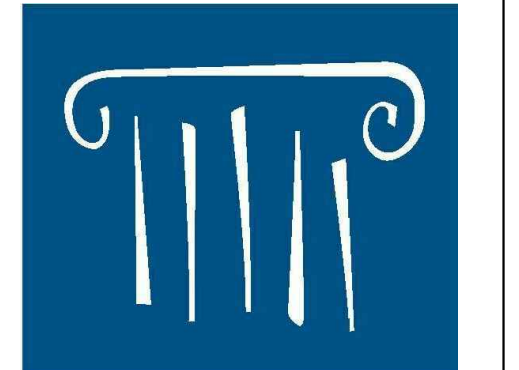
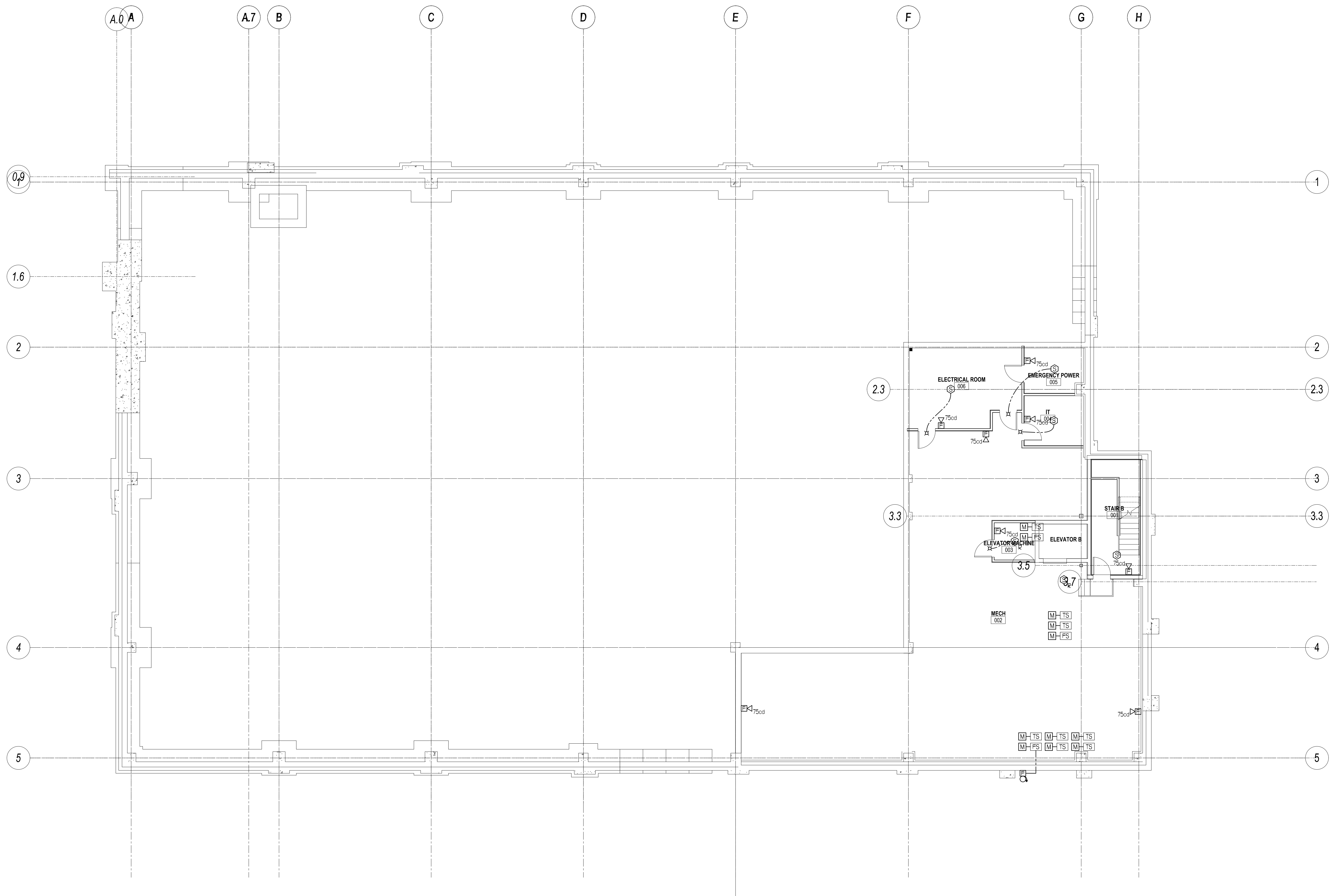
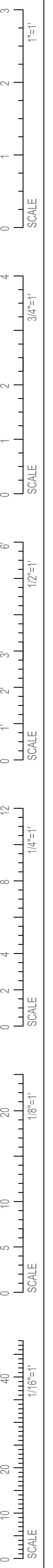
Table with 3 columns: No., Description, Date. Includes Addendum #8 (7/20/13), Addendum #9 (8/16/13), and First Floor Redesign (1/09/13).

CONSTRUCTION DOCUMENTS
UNIVERSITY OF NEW ENGLAND
PORTLAND, MAINE
PATIENT CARE CENTER
INTERIOR FIT-OUT
FIRE ALARM LEGEND & NOTES
Project Number 12502
Date January 9, 2013
Drawn by CDO
Checked by VADjr
FA0.01
Scale N.T.S.



FIRE ALARM ONE-LINE
SCALE: NOT TO SCALE

IF THIS SHEET IS NOT 24 X 36 IT IS A REDUCED SCALE PRINT - SCALE ACCORDINGLY



PORT CITY ARCHITECTURE

65 NEWBURY STREET
 PORTLAND, ME 04101
 207.761.9000
 info@portcityarch.com
 WWW.PORTCITYARCH.COM



CONSULTANTS



Site Design Associates
 23 Whitney Way
 Topsham, Maine 04086
 207-449-4275

REVISIONS

No.	Description	Date
▲	Addendum #8	7/20/12
▲	Addendum #9	8/16/12
▲	First Floor Redesign	1/09/13

CONSTRUCTION DOCUMENTS

UNIVERSITY OF NEW ENGLAND
 PORTLAND, MAINE

PATIENT CARE CENTER
 INTERIOR FIT-OUT

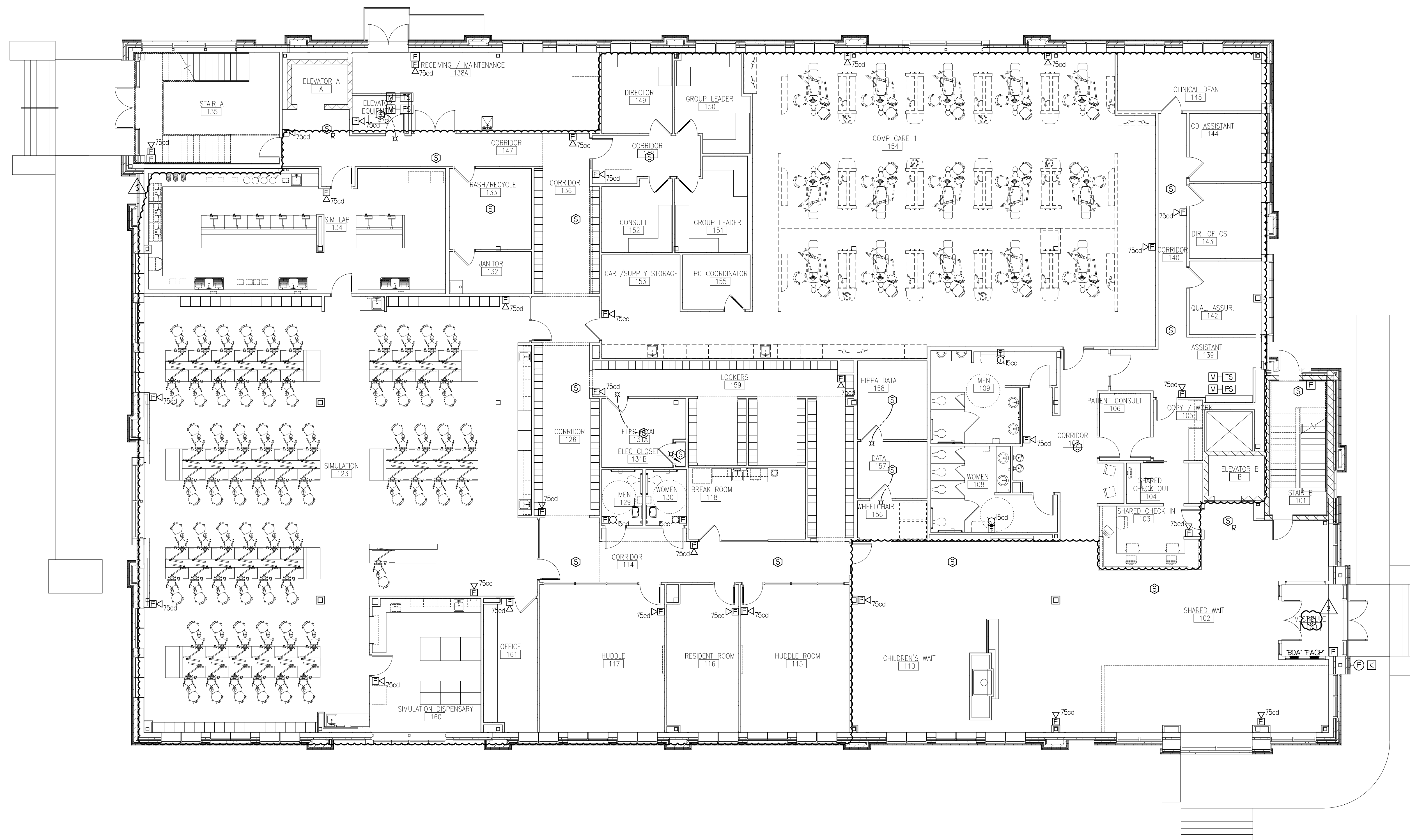
BASEMENT
FIRE ALARM PLAN

Project Number 12502
 Date January 9, 2013
 Drawn by CDO
 Checked by VADjr

FA1.01

Scale 1/8"=1'-0"

IF THIS SHEET IS NOT 24 X 36 IT IS A REDUCED SCALE PRINT - SCALE ACCORDINGLY



PORT CITY ARCHITECTURE

65 NEWBURY STREET
 PORTLAND, ME 04101
 207.761.9000
 info@portcityarch.com
 WWW.PORTCITYARCH.COM



CONSULTANTS

- Kahler Slater**
experience design
 - BECKER**
ARCHITECTURE
 - Vincent A. Dilorio Inc.**
 - EDE INC.**
ELECTRICAL ENGINEERING
- Site Design Associates
 23 Whitney Way
 Topsham, Maine 04086
 207-449-4275

REVISIONS

No.	Description	Date
▲ Addendum #8		7/30/12
▲ Addendum #9		8/6/12
▲ First Floor Redesign		1/09/13

CONSTRUCTION DOCUMENTS

UNIVERSITY OF NEW ENGLAND
 PORTLAND, MAINE

PATIENT CARE CENTER
 INTERIOR FIT-OUT

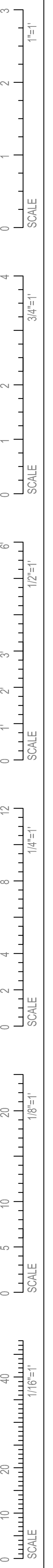
FIRST FLOOR
 FIRE ALARM PLAN

Project Number 12502
 Date January 9, 2013
 Drawn by CDO
 Checked by VADjr

FA1.02

Scale 1/8"=1'-0"

IF THIS SHEET IS NOT 24 X 36 IT IS A REDUCED SCALE PRINT - SCALE ACCORDINGLY

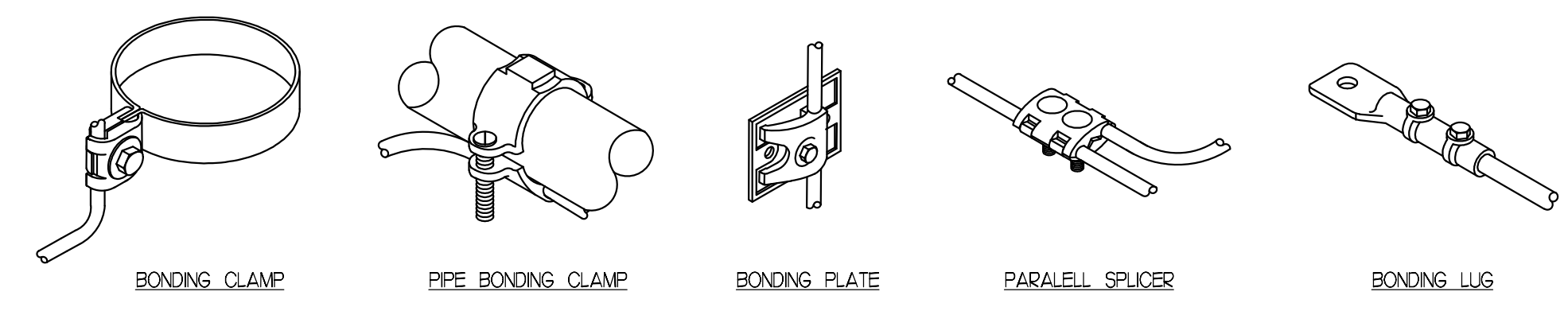


LIGHTNING PROTECTION NOTES

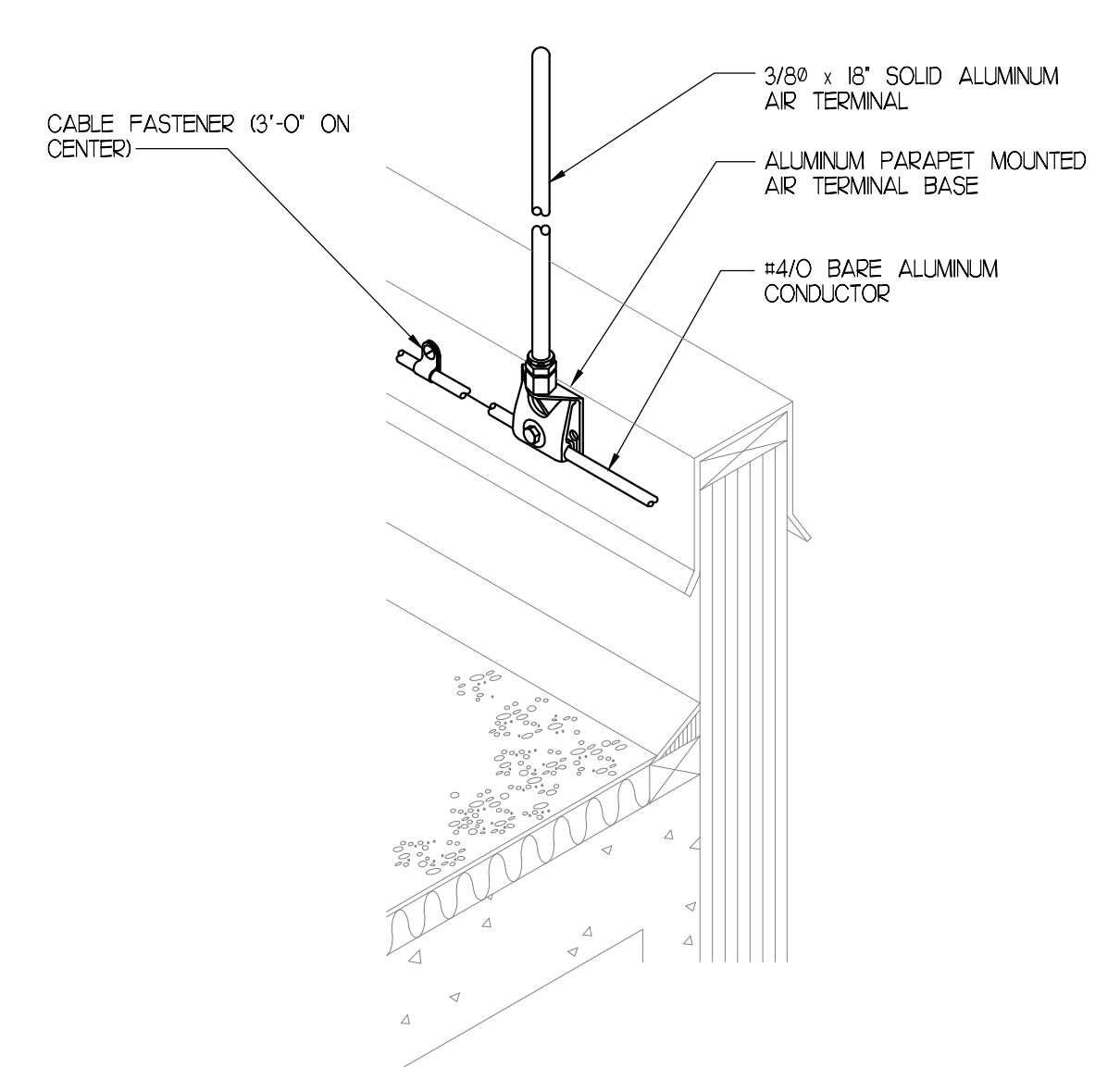
- LIGHTNING PROTECTION SHALL CONFORM TO NFPA 78, UL 96A FOR MASTER LABEL AND THE LATEST ANSI CODE.
- PERIMETER CABLE SHALL BE FASTENED TO ROOF NO GREATER THAN 3'-0" ON CENTER. ALL FASTENERS SHALL BE AN APPROVED TYPE OF NON-CORROSIVE METAL.
- THE ANGLE OF ANY CABLE BEND SHALL NOT EXCEED 90° AND SHALL NOT BE LESS THAN 6" IN RADIUS TO AVOID SIDE FLASH.
- LIGHTNING PROTECTION SYSTEM INSTALLER SHALL COORDINATE WATER SERVICE AND ELECTRICAL SERVICE GROUND CONNECTIONS IN FIELD.
- INSTALLER SHALL COORDINATE WITH MECHANICAL EQUIPMENT AND BOND TO EACH MACHINE.
- GROUND RODS SHALL BE 3/4" x 10' COPPER. DOWN CONDUCTORS SHALL BE COPPER. DOWN CONDUCTORS SHALL BE CONNECTED TO ALUMINUM MAIN CONDUCTORS WITH BI-METALLIC CONNECTORS AND FITTINGS. ALUMINUM COMPONENTS SHALL NOT BE USED WHERE IN DIRECT CONTACT WITH EARTH.
- GROUND RODS SHALL BE PROVIDED AND CONFIGURED ACCORDING TO SITE SOIL CONDITIONS AS DESCRIBED IN NFPA-78 ARTICLES 3-4.3 THROUGH 3-4.6

LIGHTNING PROTECTION

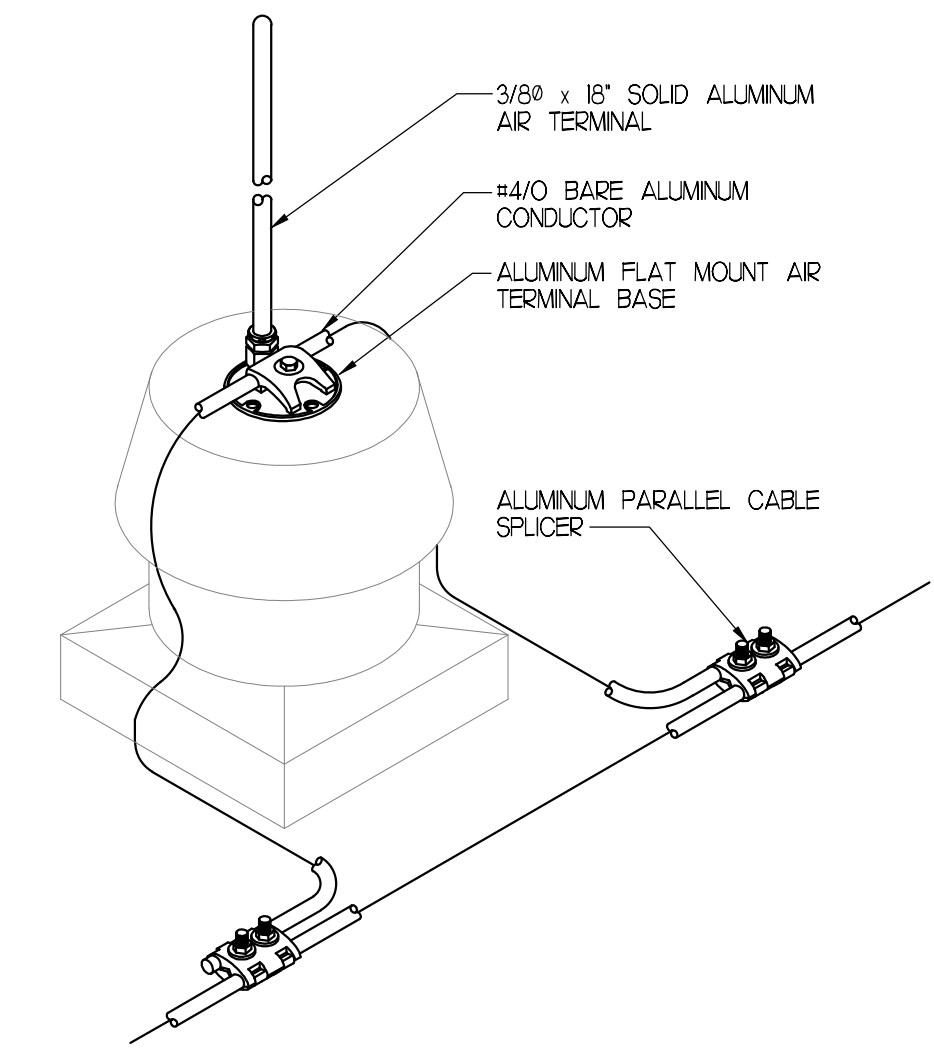
- 3/8" DIAMETER x 18" TALL COPPER AIR TERMINAL WITH STAINLESS STEEL BOLTED PRESSURE CONNECTORS AND ANCHORS FOR MOUNTING TO ROOF. AIR TERMINALS MOUNTED ON SLOPED SURFACES SHALL BE PROVIDED WITH FLEXIBLE SWIVEL ADAPTERS.
- U.L. LISTED, CAST BRONZE BONDING PLATE WITH BOLT PRESSURE TYPE CONNECTOR.
- #2/0 STRANDED COPPER CONDUCTOR. A PERIMETER CABLE SHALL BE INSTALLED AROUND THE ENTIRE BUILDING. CABLE SHALL BE RUN EXPOSED.
- CADWELD CONNECTION.
- DOWN CONDUCTOR.
- GROUND TERMINAL SHALL BE A 3/4" DIAMETER COPPER GROUND ROD AND DRIVEN TO A MINIMUM DEPTH OF 10'-0" OR MORE IF NECESSARY TO REACH PERMANENT MOISTURE.



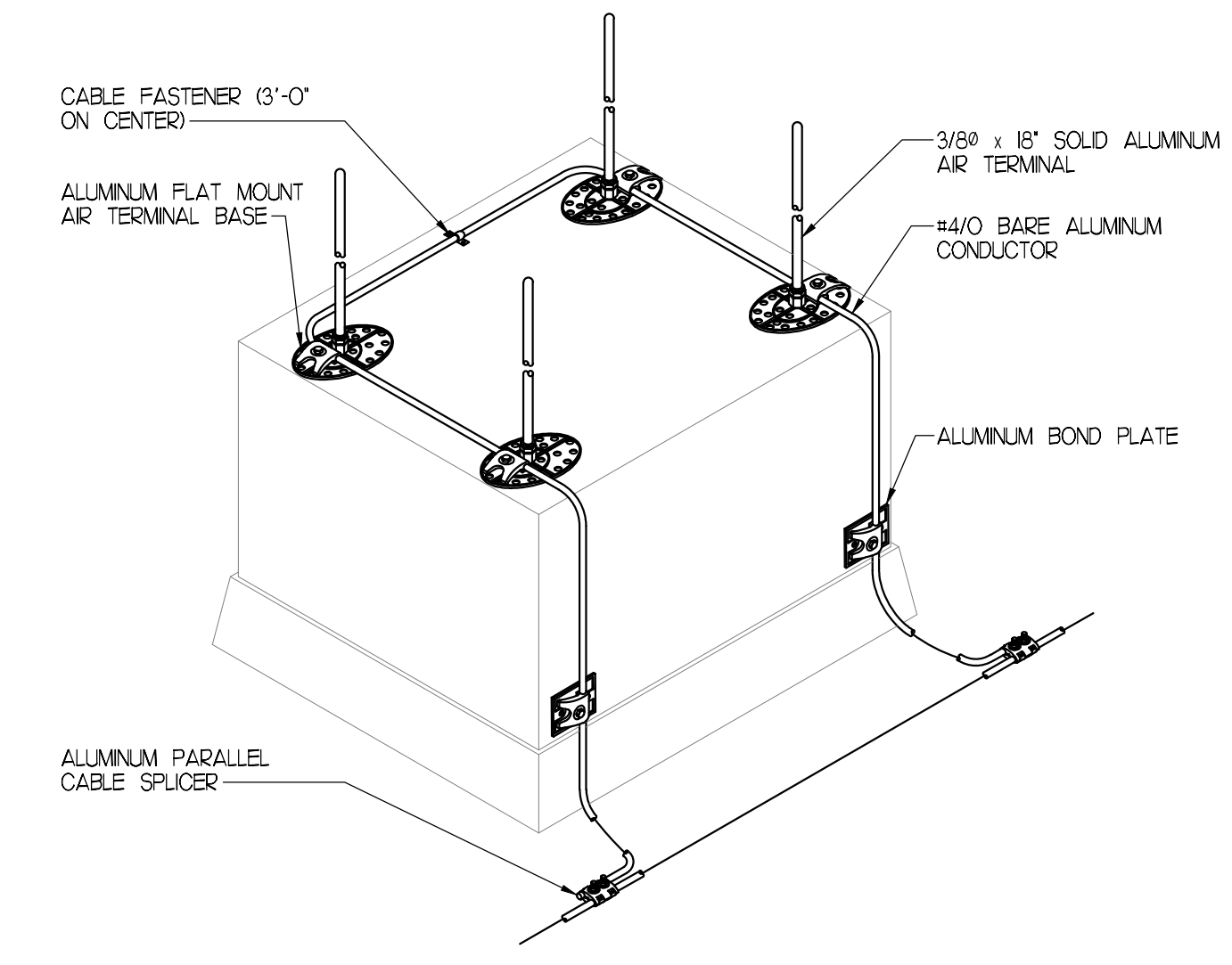
SPlicing AND BONDING DETAILS
SCALE: NOT TO SCALE



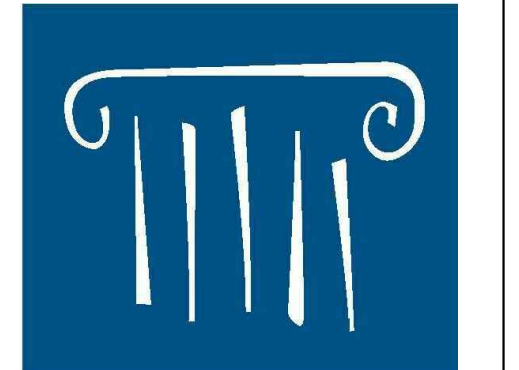
PARAPET MOUNTED AIR TERMINAL DETAIL
SCALE: NOT TO SCALE



EXHAUST FAN DETAIL
SCALE: NOT TO SCALE



ROOF TOP UNIT DETAIL
SCALE: NOT TO SCALE



PORT CITY ARCHITECTURE

65 NEWBURY STREET
PORTLAND, ME 04101
207.761.9000
info@portcityarch.com
WWW.PORTCITYARCH.COM



CONSULTANTS

Kahler Slater
experience design

BECKER
ARCHITECTS

VA
Vincent A. D'Elorio
Inc.

EDHE E.D.E. INC.
500 GORHAM STREET
PORTLAND, ME 04101
207.761.9000
info@edheinc.com
www.edheinc.com

Site Design Associates
23 Whitney Way
Topsham, Maine 04086
207-449-4275

REVISIONS		
No.	Description	Date
▲	Addendum #8	7/29/12
▲	Addendum #9	8/16/12
▲	First Floor Redesign	1/09/13

CONSTRUCTION DOCUMENTS

UNIVERSITY OF NEW ENGLAND
PORTLAND, MAINE

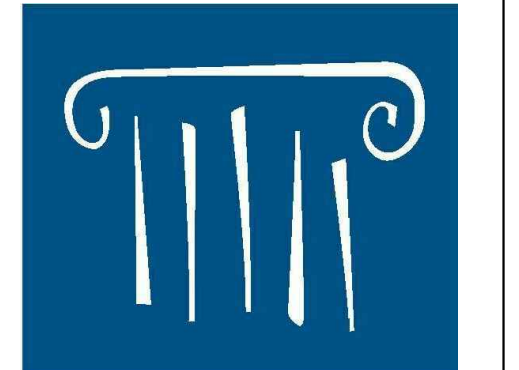
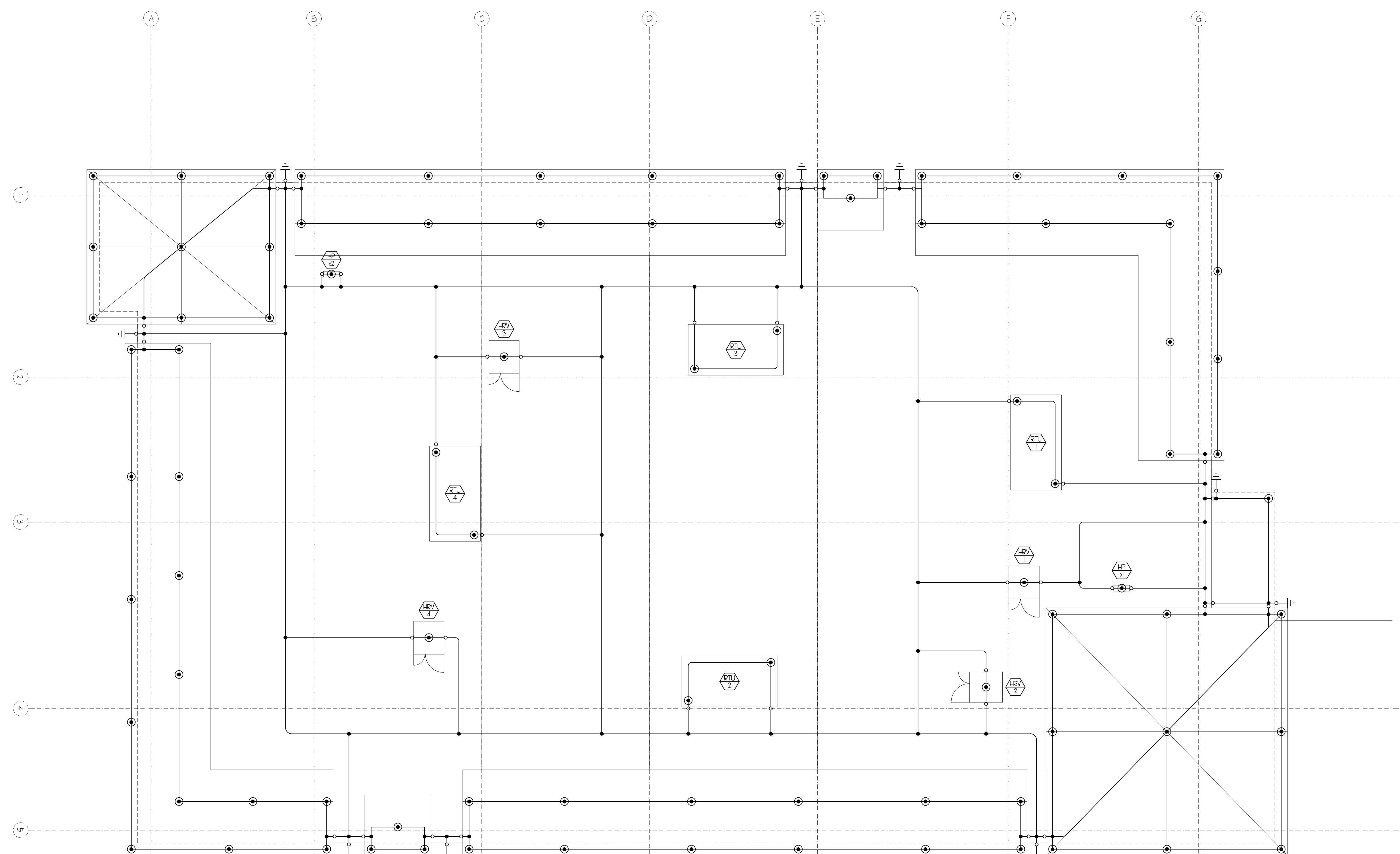
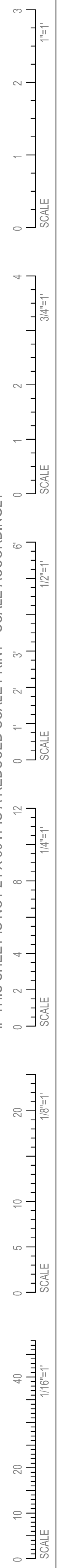
PATIENT CARE CENTER
INTERIOR FIT-OUT

LIGHTNING PROTECTION NOTES & DETAILS

Project Number 12502
Date January 9, 2013
Drawn by CDO
Checked by VADjr

LP1.01
Scale NOT TO SCALE

IF THIS SHEET IS NOT 24 X 36 IT IS A REDUCED SCALE PRINT - SCALE ACCORDINGLY



PORT CITY ARCHITECTURE

65 NEWBURY STREET
 PORTLAND, ME 04101
 207.761.9000
 info@portcityarch.com
 WWW.PORTCITYARCH.COM



CONSULTANTS



Site Design Associates
 23 Whitney Way
 Topsham, Maine 04086
 207-449-4275

REVISIONS

No.	Description	Date
▲	Addendum #8	7/20/12
▲	Addendum #9	8/6/12
▲	First Floor Redesign	1/09/13

CONSTRUCTION DOCUMENTS

UNIVERSITY OF NEW ENGLAND
 PORTLAND, MAINE

PATIENT CARE CENTER
 INTERIOR FIT-OUT

ROOF LIGHTNING PROTECTION PLAN

Project Number 12502
 Date January 9, 2013
 Drawn by CDO
 Checked by VADjr

LP1.02

Scale 1/8"=1'-0"