

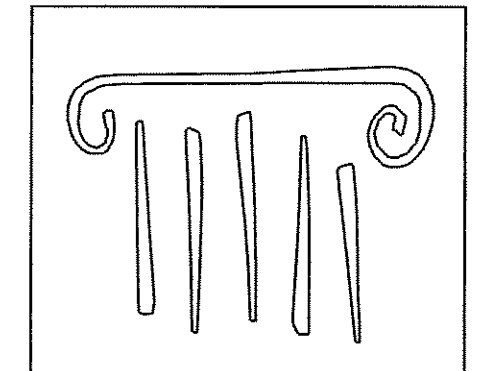
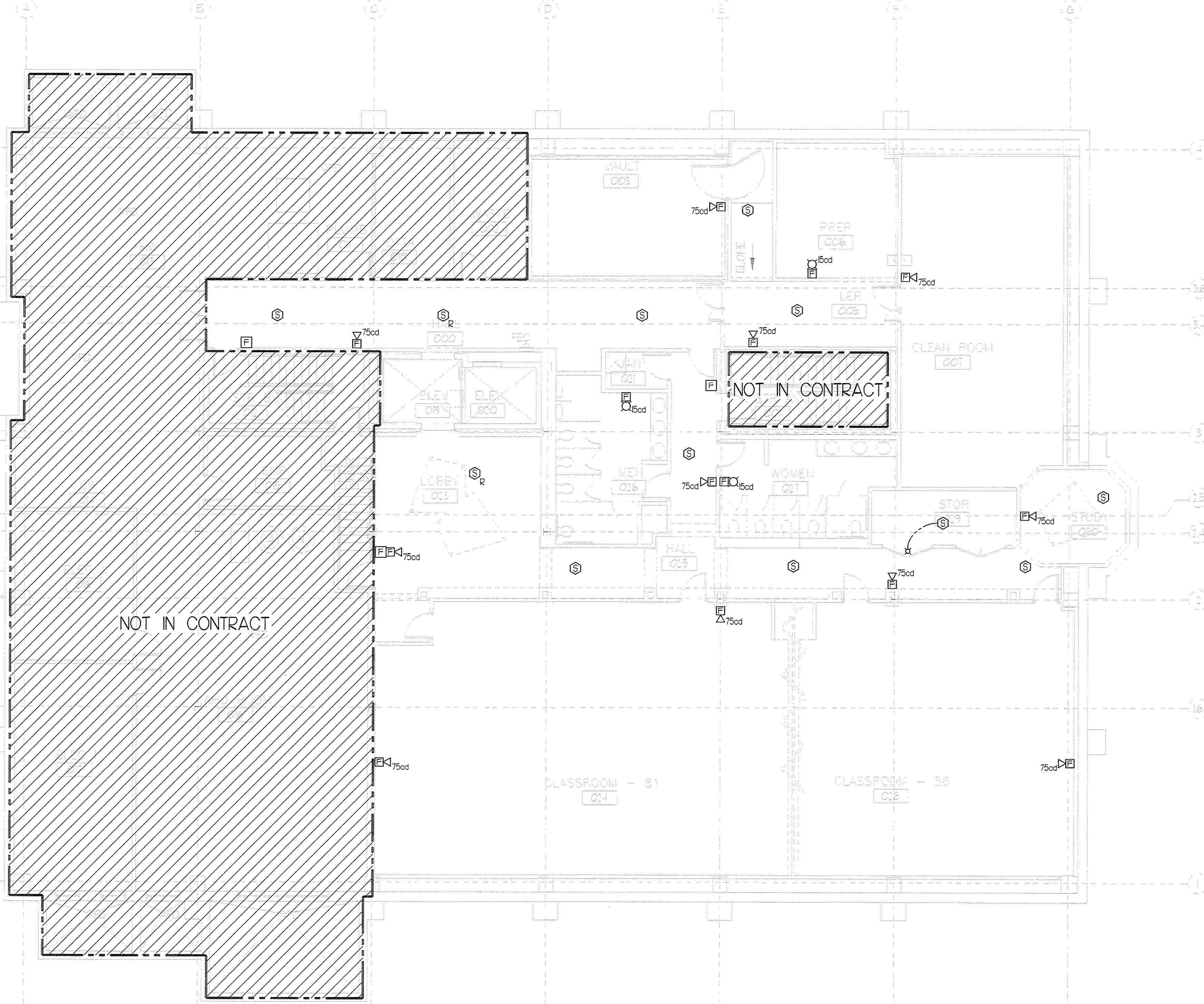
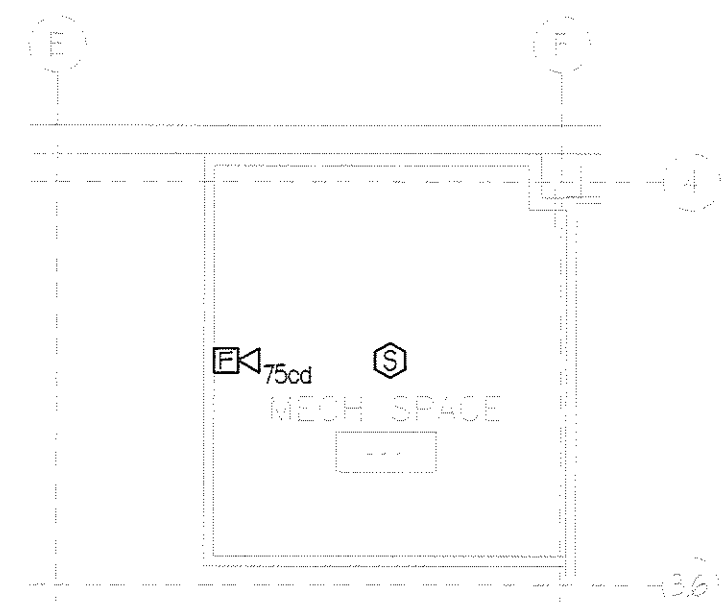
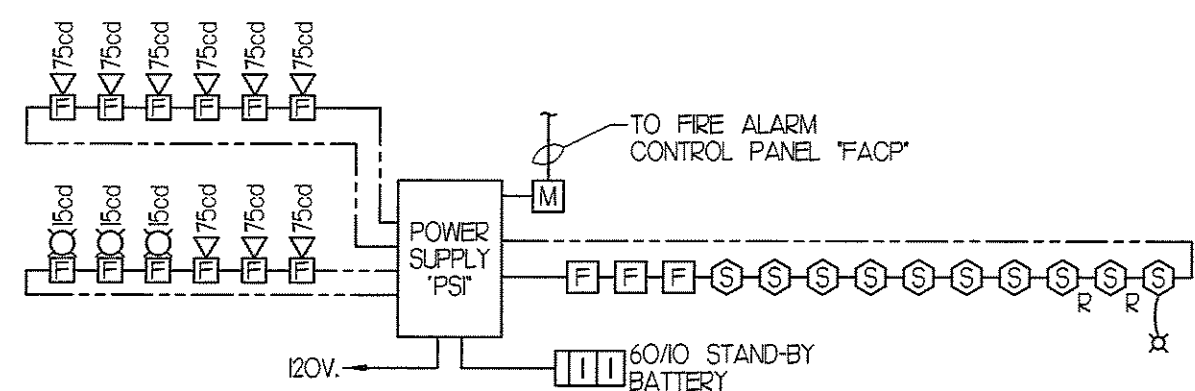
IF THIS SHEET IS NOT 24 X 36 IT IS A REDUCED SCALE PRINT - SCALE ACCORDINGLY

FIRE ALARM LEGEND

- FIRE ALARM SYSTEM ADA TYPE 75cd/75cd HORN STROBE UNIT WALL MOUNTED 80" ABOVE FINISHED FLOOR OR 6' BELOW FINISHED CEILING WHICHEVER IS LOWER
- FIRE ALARM SYSTEM ADA TYPE 60cd STROBE ONLY UNIT, WALL MOUNTED 80" ABOVE FINISHED FLOOR OR 6' BELOW FINISHED CEILING WHICHEVER IS LOWER
- MANUAL PULL STATION, MOUNTED 48" ABOVE FINISHED FLOOR
- CEILING MOUNTED PHOTOELECTRIC, SYSTEM TYPE SMOKE DETECTOR
- CEILING MOUNTED PHOTOELECTRIC, SYSTEM TYPE SMOKE DETECTOR, FOR ELEVATOR RECALL, ELEVATOR SHALL PERFORM RECALL UPON INITIATION OF RESPECTIVE DEVICE
- AUTOMATIC HEAT DETECTOR 135 DEGREES FIXED TEMPERATURE WITH ZONE ADDRESSABLE MODULE
- FIRE ALARM SYSTEM MASTER BOX
- FIRE ALARM CONTROL PANEL
- FIRE ALARM ANNUNCIATOR
- FIRE ALARM WEATHER-PROOF BEACON
- FIRE ALARM SYSTEM DOOR HOLDER
- FIRE ALARM SYSTEM FLOW SWITCH, FURNISHED BY THE SPRINKLER CONTRACTOR WIRE BY ELECTRICAL CONTRACTOR
- FIRE ALARM SYSTEM TAMPER SWITCH ON VALVE, FURNISHED BY SPRINKLER CONTRACTOR, WIRE BY ELECTRICAL CONTRACTOR
- FIRE ALARM SYSTEM PRESSURE SWITCH ON VALVE, FURNISHED BY SPRINKLER CONTRACTOR, WIRE BY ELECTRICAL CONTRACTOR
- REMOTE INDICATOR
- REMOTE INDICATOR WITH TEST STATION
- ADDRESSABLE MONITOR MODULE
- ADDRESSABLE CONTROL MODULE
- KNOX BOX
- 60 HOUR BATTERY
- AUXILIARY POWER SUPPLY 6 AMPS / 24 VOLTS WITH 4 NOTIFICATIONS CIRCUITS, NOTIFIER CAT. NO. FCPS-2456 WITH BATTERY BACK-UP AND INTEGRAL CHARGER

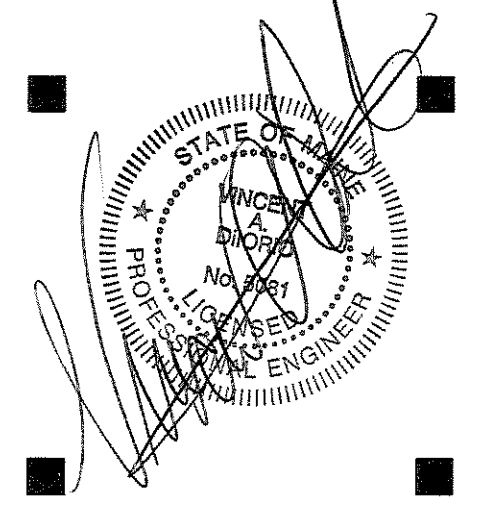
FIRE ALARM NOTES:

1. ELECTRICAL CONTRACTOR SHALL FURNISH AND INSTALL A COMPLETE ANALOG/ ADDRESSABLE MICRO-PROCESSOR BASED, FIRE ALARM SYSTEM AS INDICATED AND AS SPECIFIED. ALL FIRE ALARM CIRCUIT WIRING SHALL BE POWER LIMITED FIRE ALARM CABLE AUDIO/VISUAL CIRCUITS SHALL BE #14 POWER LIMITED FIRE ALARM CABLE AS MENTIONED ABOVE. CIRCUITS SHALL BE ARRANGED CLASS 'A'.
2. ELECTRICAL CONTRACTOR SHALL UTILIZE ALARM VERIFICATION AS A STANDARD FEATURE FOR ALL ADDRESSABLE SMOKE DETECTORS.
3. THE CONTRACTOR, BEFORE INSTALLATION OR PROCUREMENT OF EQUIPMENT, SHALL SUBMIT A SHOP DRAWING OF ALL THE DEVICES BEING SUPPLIED FOR THIS PROJECT, THE SHOP DRAWINGS PROVIDING A DIAGRAM INDICATING HOW THE SYSTEM WILL OPERATE IS REQUIRED AS A PART OF THE SUBMITTAL PACKAGE.
4. ALL PULL AND JUNCTION BOXES AS WELL AS 6' OF ANY CONDUIT ENTERING OR LEAVING ANY PULL OR JUNCTION BOX SHALL BE PAINTED RED.
5. FIRE ALARM SYSTEM SHALL BE MANUFACTURED BY GANWELL OR EQUAL.
6. E.C. TO PROVIDE CONDUIT AND CABLE AS REQUIRED BY ELEVATOR INSTALLER TO FACILITATE ELEVATOR RECALL UPON ACTIVATION OF FIRE ALARM SYSTEM.
7. UPON ACTIVATION OF AIR HANDLING UNIT DUCT SMOKE DETECTOR THE RESPECTIVE UNIT AND ASSOCIATED SMOKE AND FIRE DAMPERS SHALL BE DE-ACTIVATED.
8. UPON ACTIVATION OF ANY OF THE ELEVATOR LOBBY SMOKE DETECTORS OR ELEVATOR CONTROL MODULES, THE ELEVATORS SHALL DROP TO THE MAIN FLOOR. IF THE MAIN FLOOR IS IN AN ALARM CONDITION THE ELEVATOR SHALL SEEK AN ALTERNATE FLOOR NOT IN ALARM. THE ELEVATORS SHALL BE PROGRAMMED TO SEARCH FOR A FLOOR NOT IN ALARM.
9. UPON ACTIVATION OF THE FIRE ALARM SYSTEM ALL THE MAGNETIC DOOR HOLDERS SHALL BE DE-ENERGIZED TO ALLOW DOORS TO SWING CLOSED.
10. ELECTRICAL CONTRACTOR SHALL BE RESPONSIBLE FOR A SET OF AS-BUILT DRAWINGS OF THE FIRE ALARM SYSTEM AS-BUILT. DRAWINGS SHALL INDICATE THE LOCATION OF THE CONTROL PANEL, ALL FIRE ALARM DEVICES AND WIRING INSTALLED. AS-BUILT DRAWINGS SHALL BE TURNED OVER TO THE OWNER'S PROJECT REPRESENTATIVE.
11. ELECTRICAL CONTRACTOR SHALL BE RESPONSIBLE FOR CONNECTING THE FIRE ALARM SYSTEM MASTERBOX TO THE CAMPUS LOOP USING ISMA 19-6, 2 PAIR #6 SOLID CONDUCTORS FOR UNDERGROUND SERVICE OR ISMA 20-4, 2 PAIR #6 SOLID CONDUCTORS FOR AERIAL SERVICE.
12. THE ELECTRICAL CONTRACTOR SHALL BE RESPONSIBLE FOR PROVIDING AN ANNUNCIATOR THAT INDICATES ALL ADDRESSABLE DEVICES TO BE INSTALLED AT THE MAIN ENTRANCE.
13. THE FIRE ALARM SYSTEM SHALL BE IN ACCORDANCE WITH NFPA 72. ANY CHANGES TO THE SYSTEM DESIGN SHALL BE PRE-APPROVED BY THE LOCAL FIRE DEPARTMENT AND VINCENT A. DIORIO INC.
14. FIRE ALARM RISER DIAGRAM IS ONLY DIAGRAMMATIC. REFER TO FIRE ALARM PLANS FOR EXACT NUMBER OF DEVICES.
15. ALL AUDIO/VISUAL DEVICES SHALL BE SYNCHRONIZED CODE 3, TEMPORAL PATTERN.



PORT CITY ARCHITECTURE

65 NEWBURY STREET
PORTLAND, ME 04101
207.761.9000
fax: 207.761.2010
lita@portcityarch.com



VINCENT A. DIORIO, INC.
CONSULTING ENGINEERS
40 Access Road State Station
Newport, Massachusetts 02845
tel: (978) 325-9754 fax: (978) 325-9753 email: vadi@vadieng.com

**UNIVERSITY OF NEW ENGLAND
COLLEGE OF PHARMACY
CLASSROOMS**

716 STEVENS AVENUE, PORTLAND, ME

#	DATE	DESCRIPTION

Date Issued 3/11/09
Project Number 06506

SHEET NAME
FIRE ALARM LOWER FLOOR PLAN

Drawn By CDO
Checked By VAD

FA01

Received
MAR 16 2009
Favreau Electric

BID DOCUMENTS - NOT FOR CONSTRUCTION

COPYRIGHT: Reuse or reproduction of the contents of this document is not permitted without written permission of PORT CITY ARCHITECTURE PA