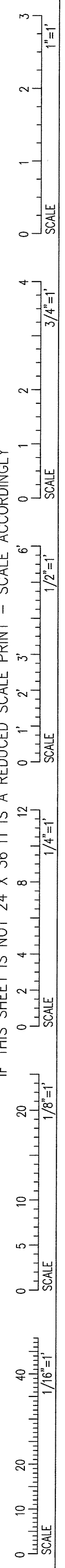


IF THIS SHEET IS NOT 24 X 36 IT IS A REDUCED SCALE PRINT - SCALE ACCORDINGLY



ELECTRICAL LEGEND:

- LIGHTING
2 1/4\"/>

- LIGHTING CONTROL SYSTEM
CEILING MOUNTED PASSIVE INFRARED / MICROPHONIC OCCUPANCY SENSOR WATT STOPPER NO. DT-355 OR EQUAL

- POWER
DUPLEX CONVENIENCE OUTLET, 20A 125V, 2 POLE, 3 WIRE, U SLOT GROUNDED TYPE

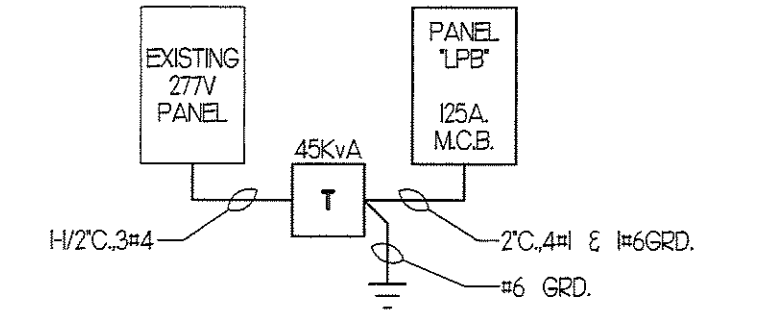
- POWER (CONT.)
RECESSED PANELBOARD
SURFACE MOUNTED PANELBOARD

- DATA/ COMMUNICATION/ SECURITY
TELEPHONE OUTLET MOUNTED 18\"/>

- ONE-LINE
CIRCUIT BREAKER
FUSE

- WIRING
HOMERUN - CABLE
HOMERUN - PIPE

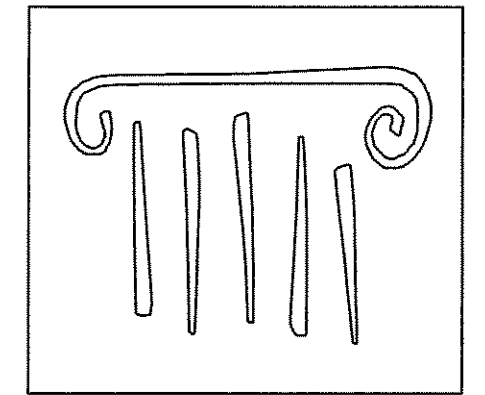
- ABBREVIATIONS & NOTATION
MECHANICAL EQUIPMENT DESIGNATION
REVISION TAG



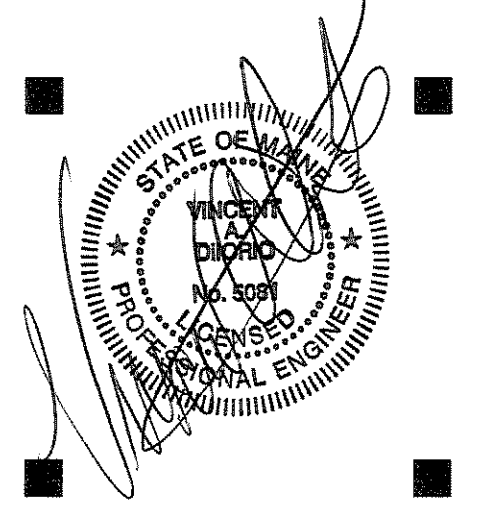
PARTIAL POWER ONE-LINE
SCALE: NOT TO SCALE

GENERAL NOTES

- PERFORM ALL WORK IN ACCORDANCE WITH NATIONAL AND STATE ELECTRICAL CODES, LOCAL ORDINANCES, AND REQUIREMENTS OF THE WRING INSPECTOR.
MATERIALS
ALL WIRING SHALL BE COPPER, 90 AMPS OR LESS SHALL BE 60\"/>



PORT CITY ARCHITECTURE
65 NEWBURY STREET
PORTLAND, ME 04101
207.761.9000
fax: 207.761.2010
lita@portcityarch.com



VINCENT A. DIORIO, INC.
CONSULTING ENGINEERS
101 ORH 355-9754 Fax (761) 355-9755 email: vadi@vadieng.com

UNIVERSITY OF NEW ENGLAND
COLLEGE OF PHARMACY
CLASSROOMS

716 STEVENS AVENUE, PORTLAND, ME

LIGHTING FIXTURE SCHEDULE

Table with columns: DESIG, MANUFACTURER, CATALOG NUMBER, MTG, VOLT, LAMP (QTY, DESCRIPTION), REMARKS. Lists fixtures A through XI with details like LITHONIA, PEERLESS, and COLUMBIA.

MOUNTING KEY:
P - PENDANT MOUNTED
S - SURFACE MOUNTED
W - WALL MOUNTED
R - RECESSED MOUNTED
U - UNIVERSAL MOUNTED
NOTE: ALL LAMPS TO BE MANUFACTURED BY GENERAL ELECTRIC, PHILLIPS OR SYLVANIA

Received
MAR 16 2009
Favreau Electric

DATE DESCRIPTION
Date Issued 3/11/09
Project Number 06506

SHEET NAME
ELECTRICAL LEGEND AND NOTES

Drawn By CDO
Checked By VAD
E01

BID DOCUMENTS - NOT FOR CONSTRUCTION