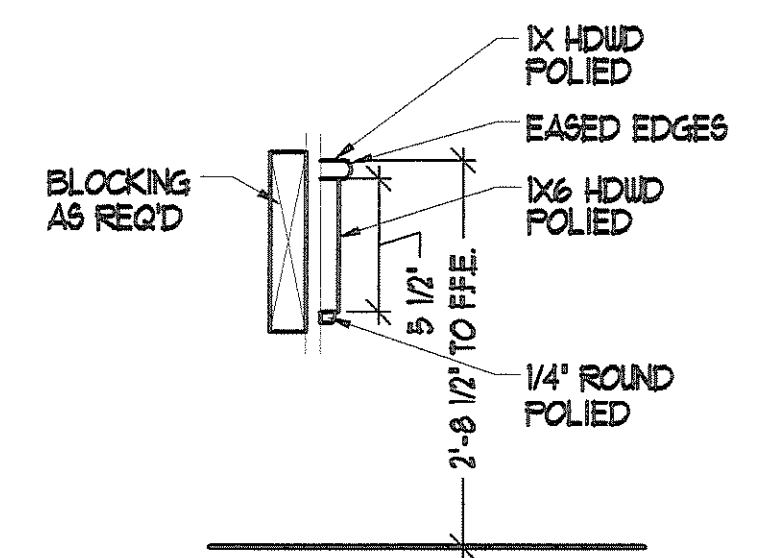
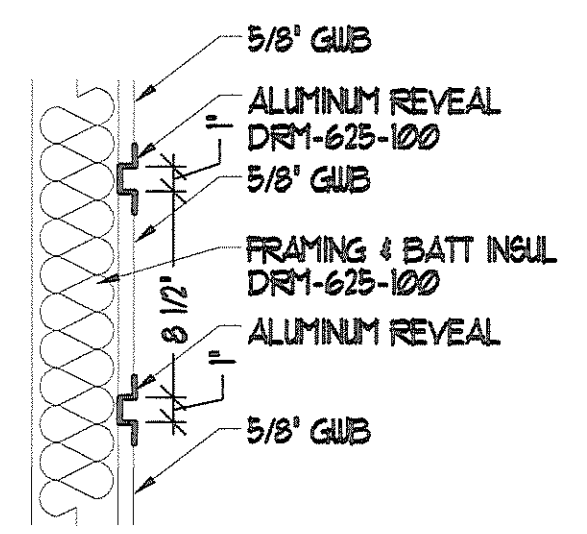


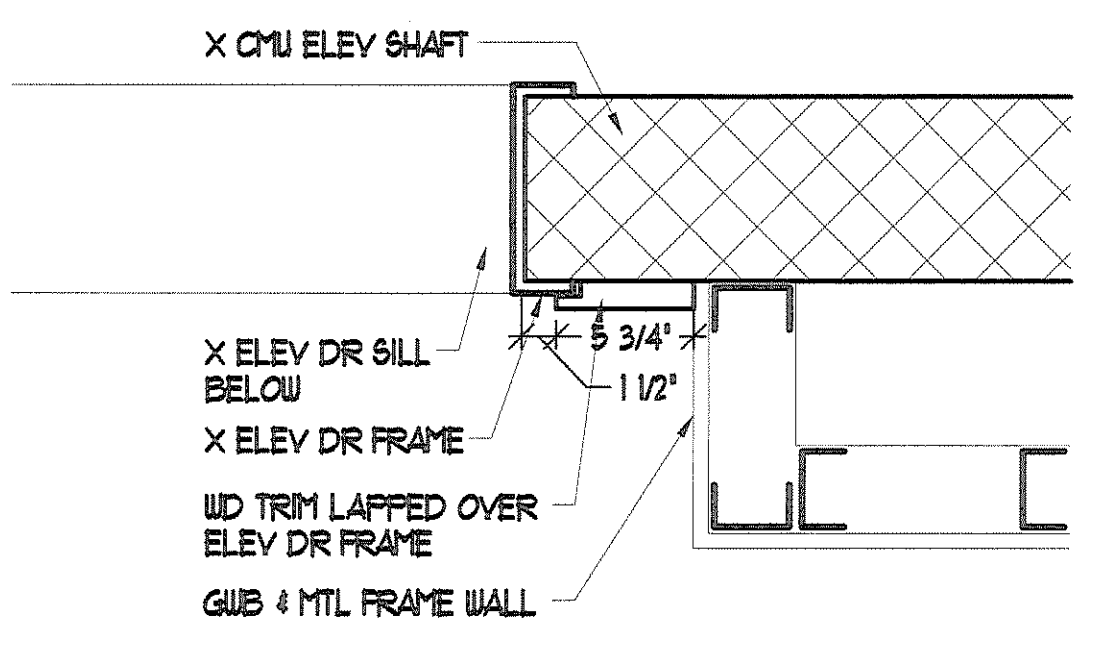
IF THIS SHEET IS NOT 24 X 36 IT IS A REDUCED SCALE PRINT - SCALE ACCORDINGLY



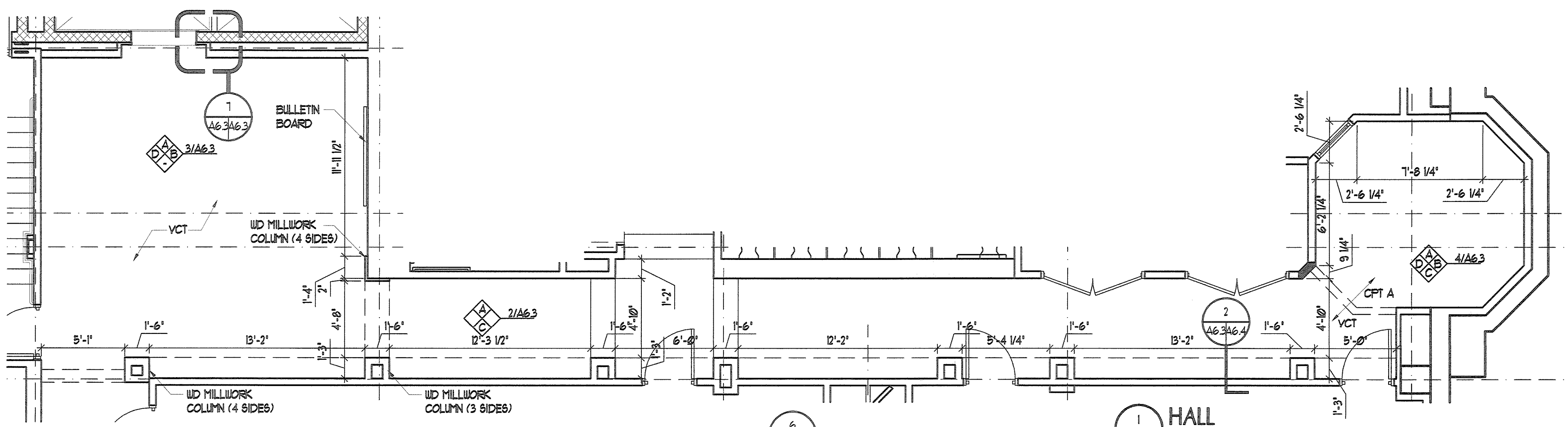
5 CHAIR RAIL DETAIL
SCALE: 1 1/2" = 1'-0"



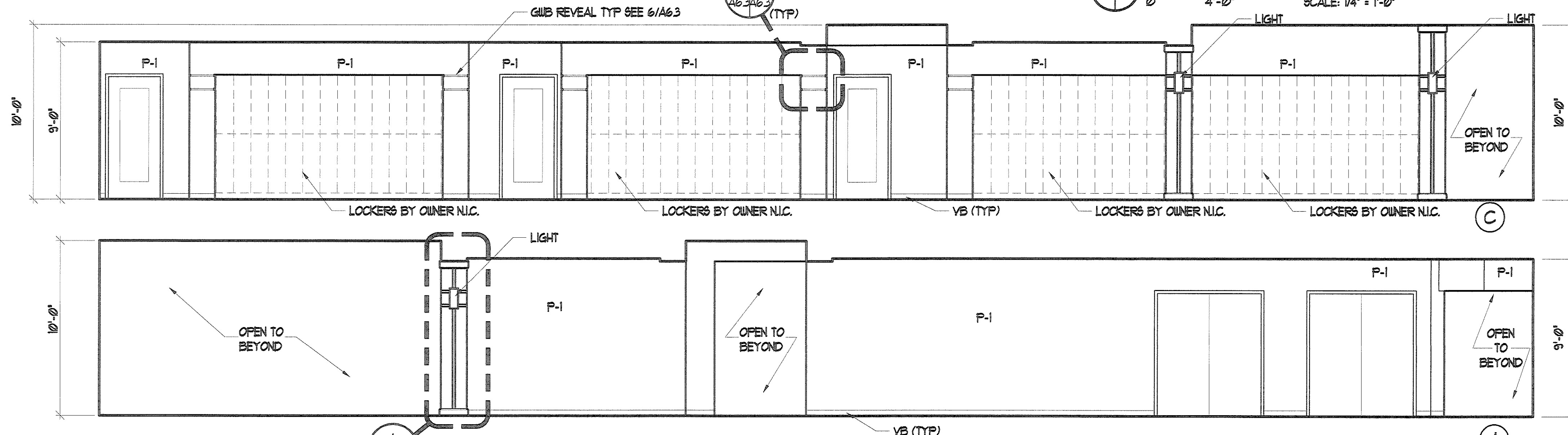
6 GWB REVEAL DETAIL
SCALE: 1 1/2" = 1'-0"



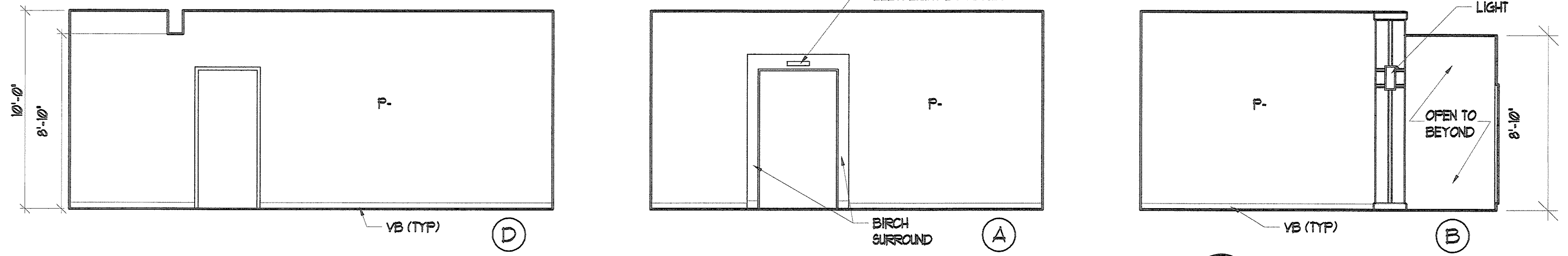
7 ELEV DOOR FRAME DETAIL
SCALE: 1 1/2" = 1'-0"



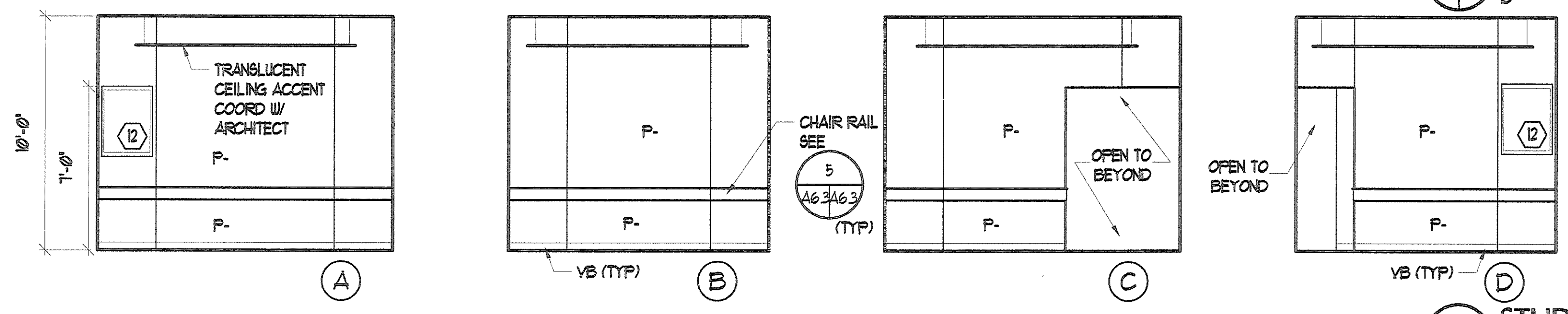
1 HALL
SCALE: 1/4" = 1'-0"



2 HALL ELEVATIONS
SCALE: 1/4" = 1'-0"

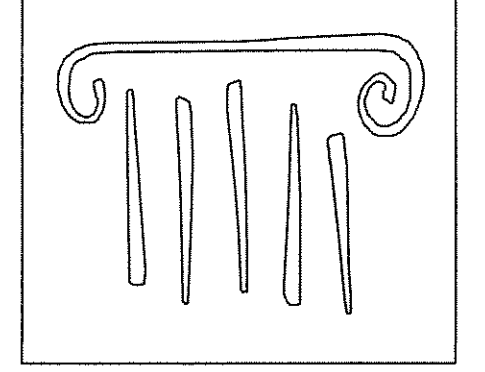


3 LOBBY ELEVATIONS
SCALE: 1/4" = 1'-0"



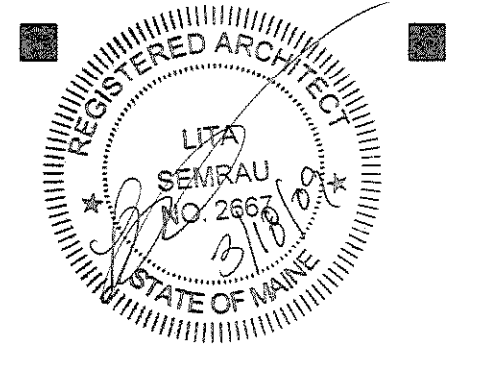
4 STUDY ROOM ELEVATIONS
SCALE: 1/4" = 1'-0"

PERMIT SET - NOT FOR CONSTRUCTION



PORT CITY ARCHITECTURE

65 NEWBURY STREET
PORTLAND, ME 04101
207.761.9000
fax: 207.761.2010
lita@portcityarch.com



PERMIT SET
NOT FOR
CONSTRUCTION

UNIVERSITY OF NEW ENGLAND
COLLEGE OF
PHARMACY
CLASSROOMS

76 STEELES AVENUE, PORTLAND, ME

#	DATE	DESCRIPTION

Date Issued: 3/17/2009
Project Number: 08518

SHEET NAME:

INTERIOR ELEV.

Drawn By: EAC	LL
Checked By: LAS	A6.3

COPYRIGHT: Reuse or reproduction of the contents of this document is not permitted without written permission of PORT CITY ARCHITECTURE PA