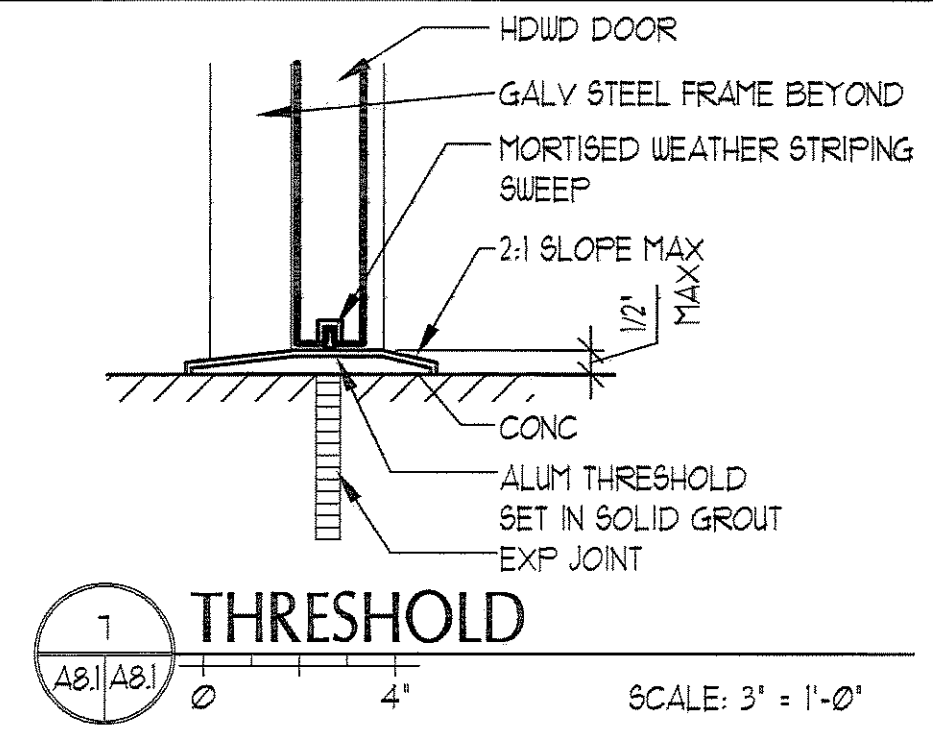
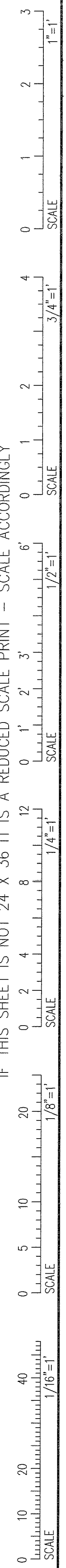
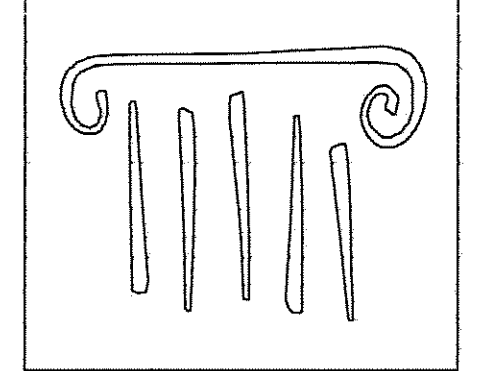
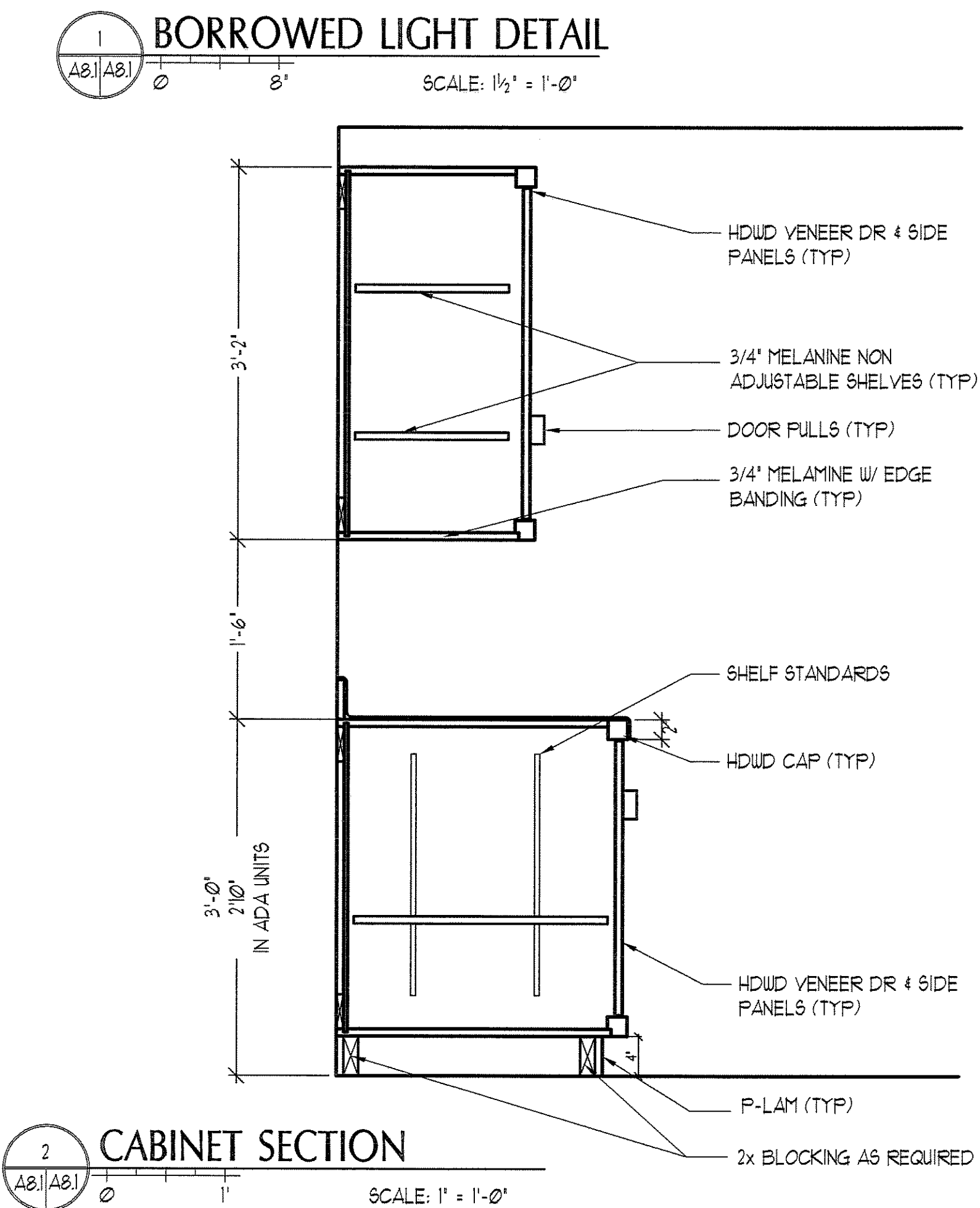
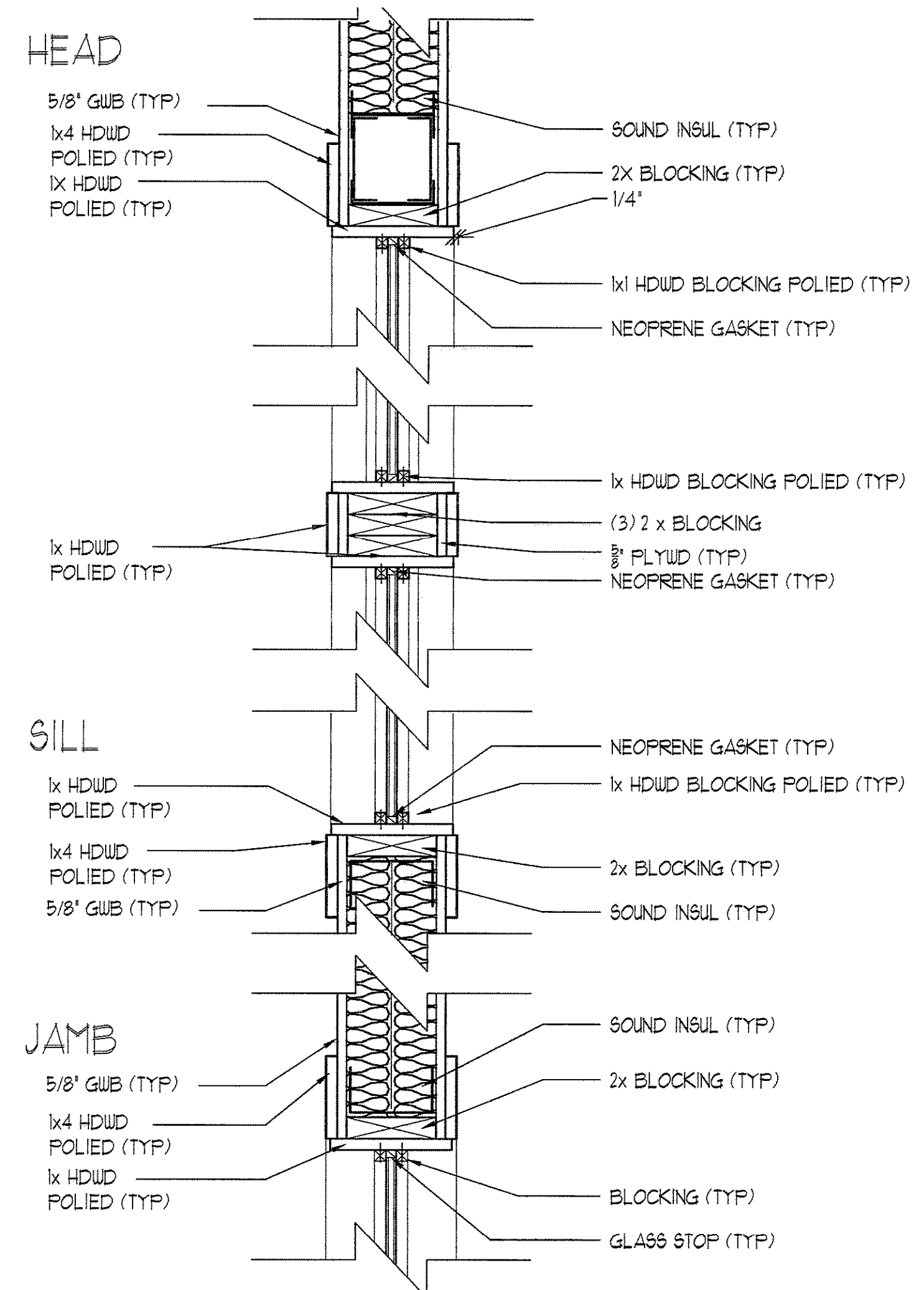
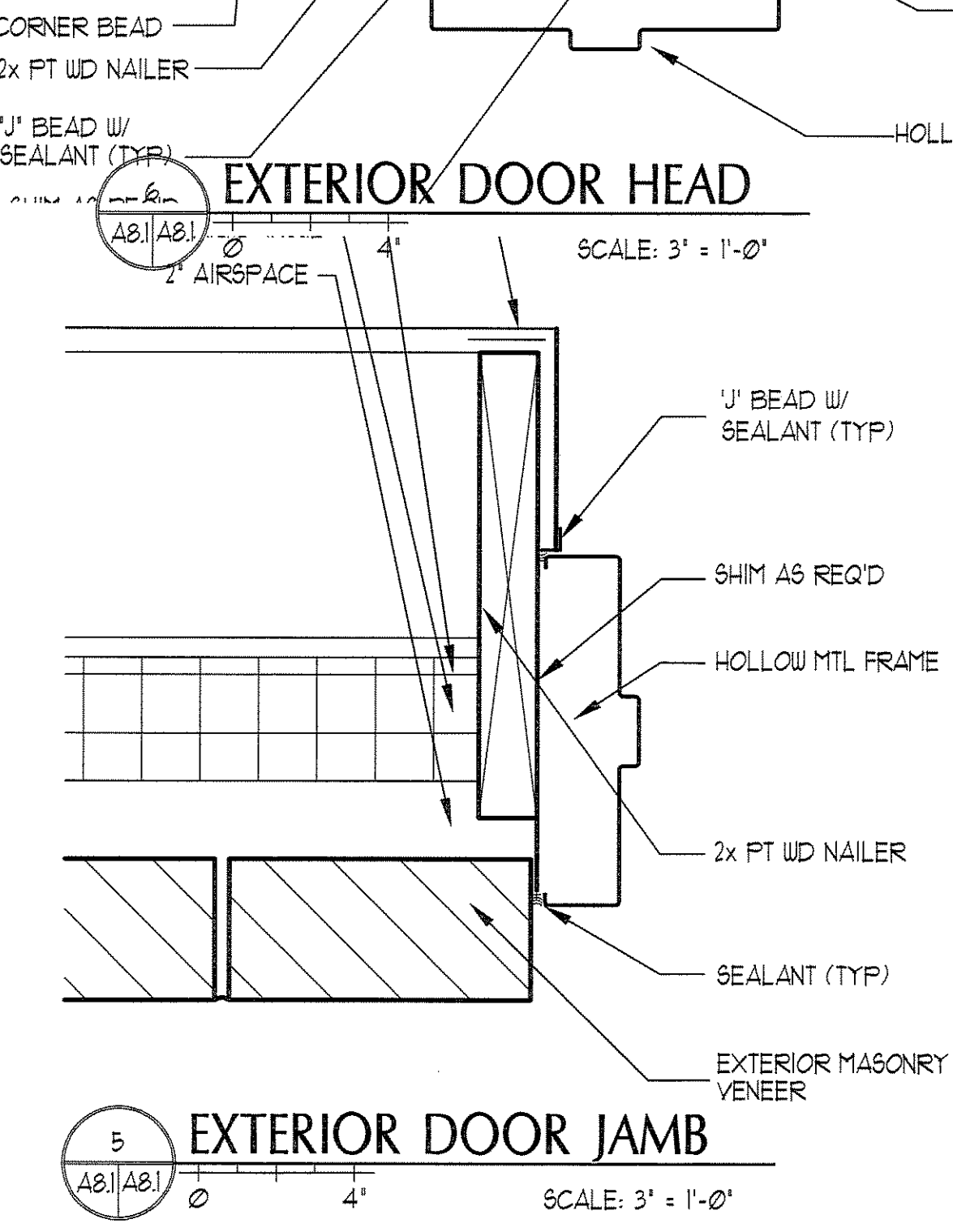
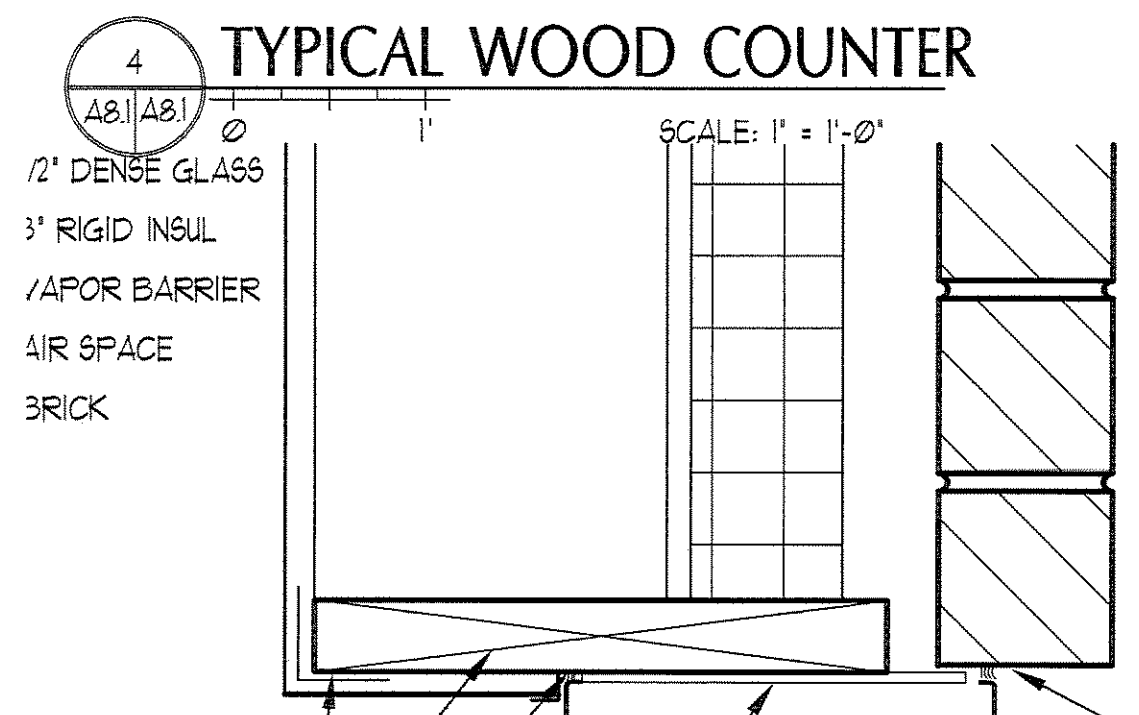
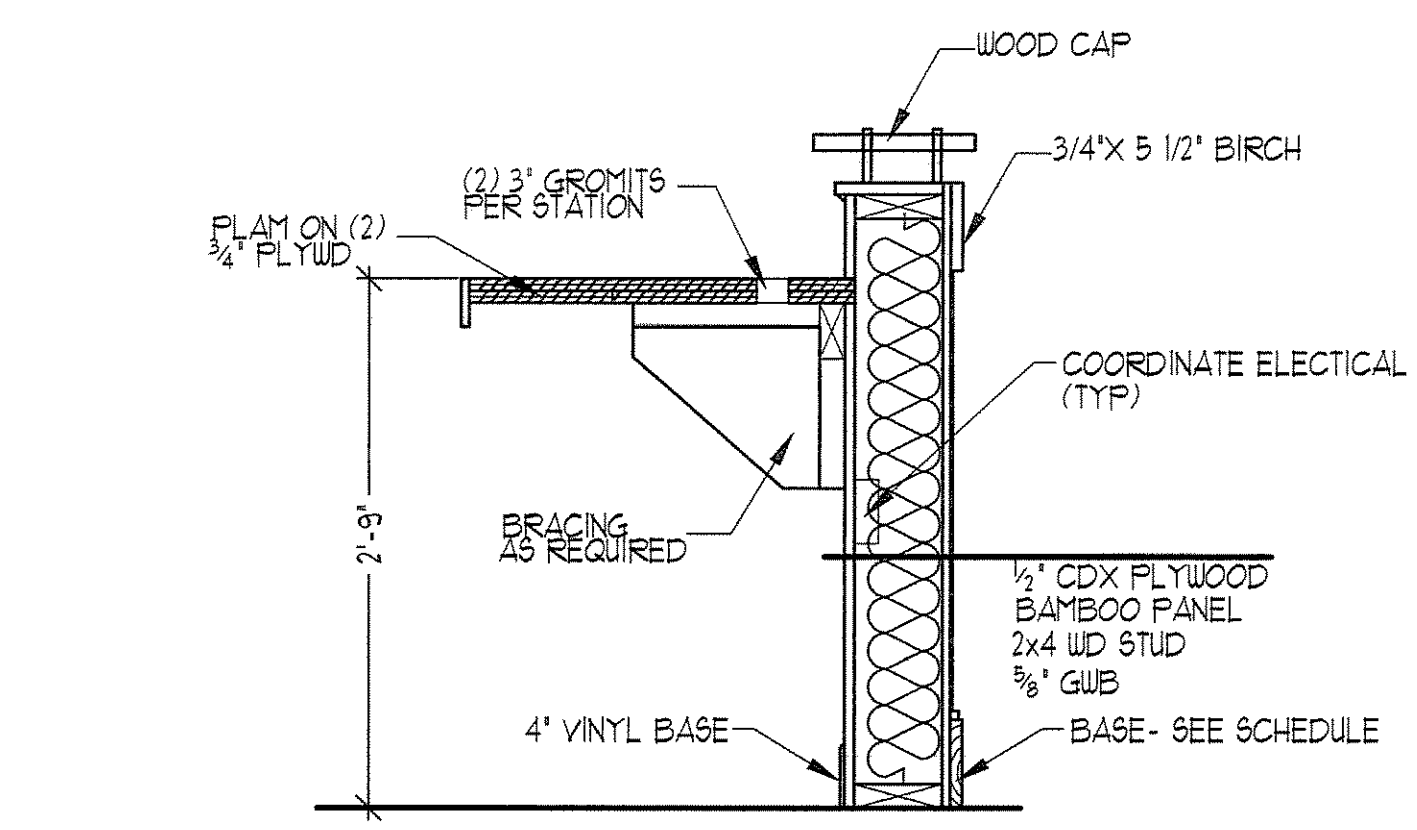
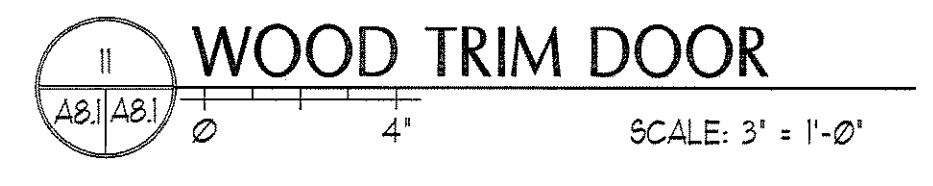
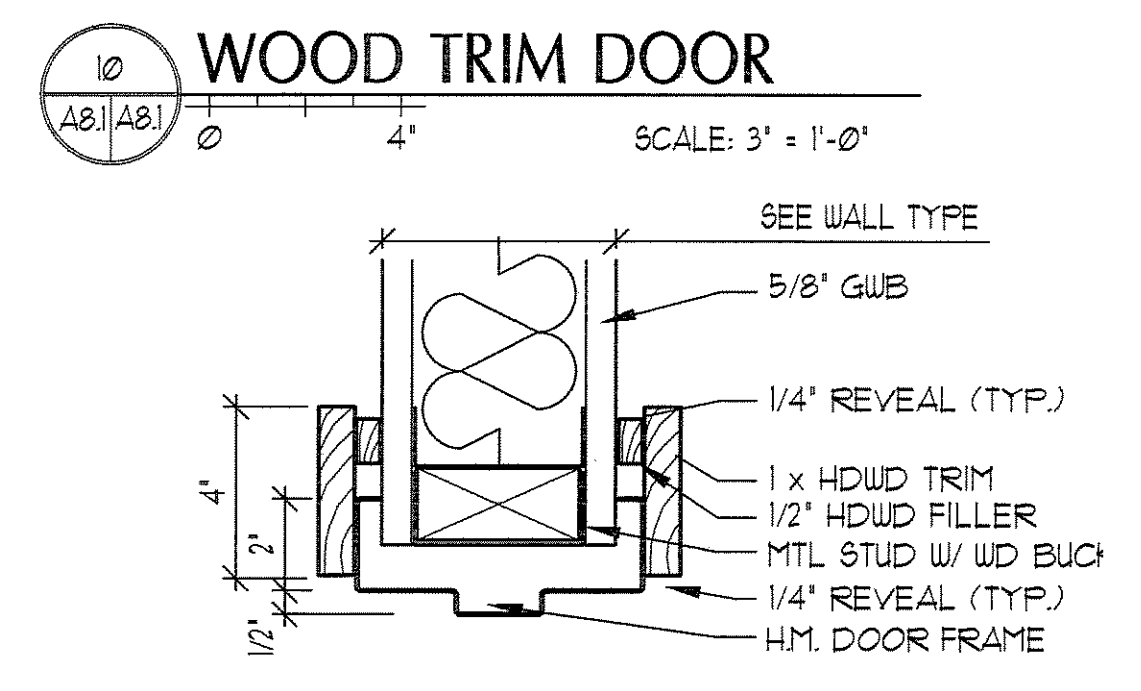
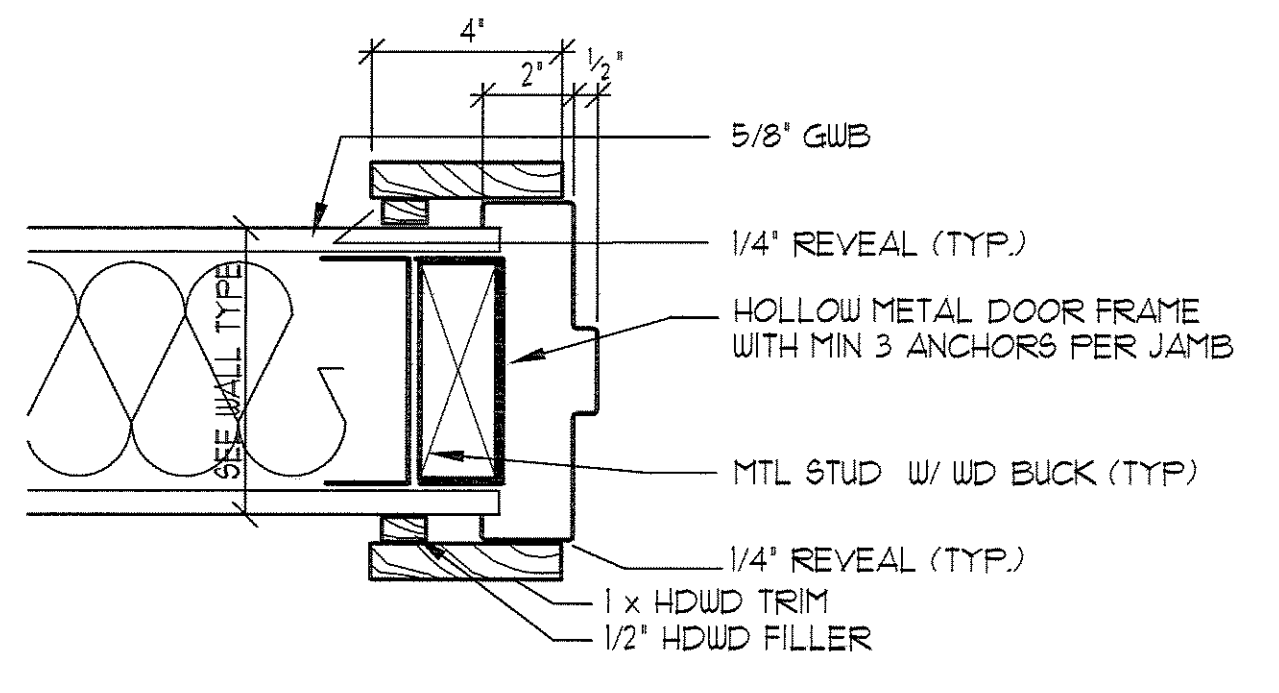
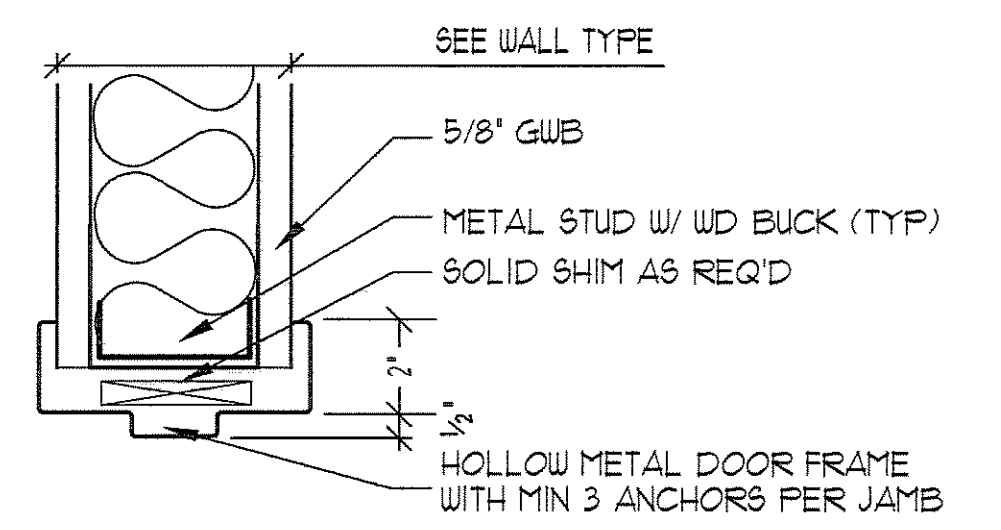
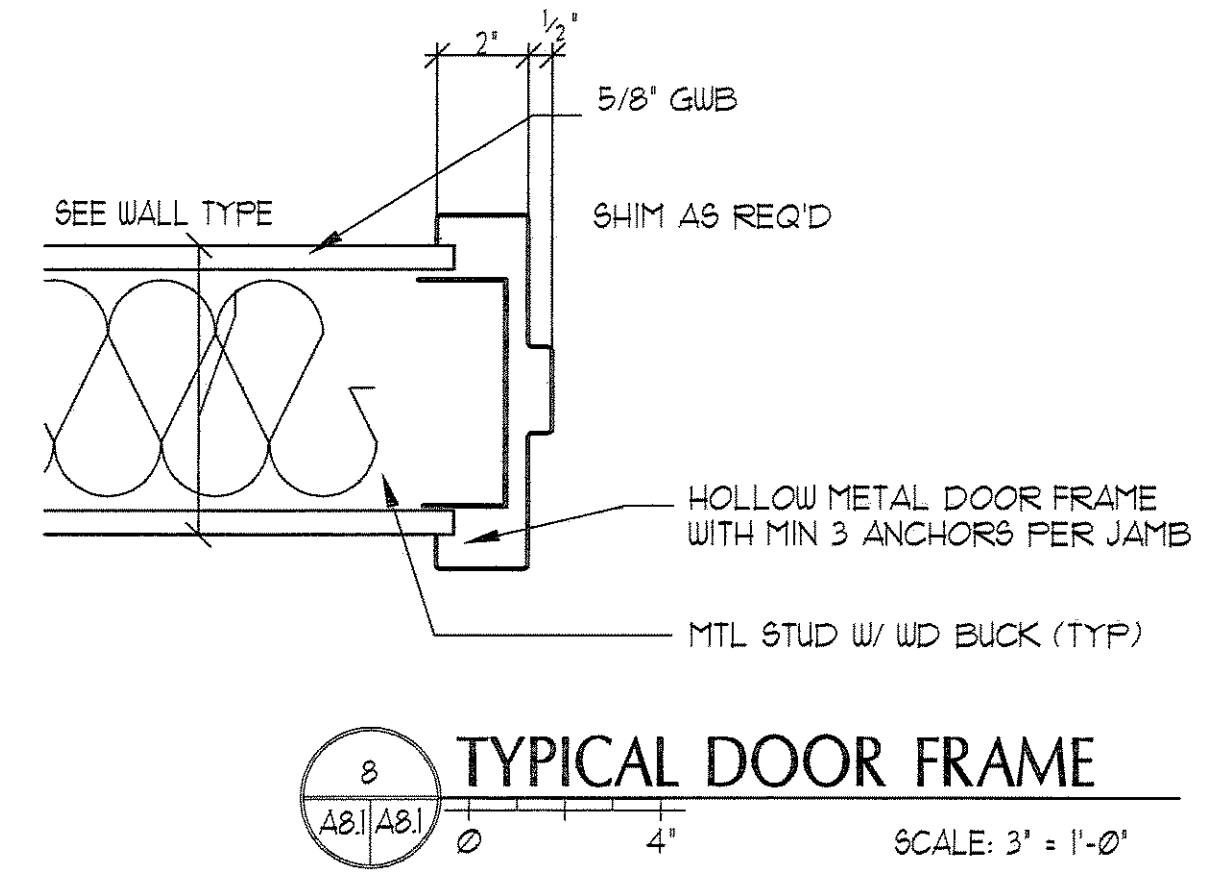


IF THIS SHEET IS NOT 24 X 36 IT IS A REDUCED SCALE PRINT - SCALE ACCORDINGLY



**WARNING:**  
NO PENETRATIONS OR BORINGS IN CONCRETE SLAB THIS LEVEL  
MAY CAUSE FLOODING



**PORT CITY ARCHITECTURE**

65 NEWBURY STREET  
PORTLAND, ME 04101  
207.761.9000  
fax: 207.761.2010  
lita@portcityarch.com

**JACOBS CONSULTANCY**  
OPR Laboratory Planning Practice

**VANZELM ENGINEERS**  
VANZELM HEYWOOD & SHADWOOD, INC.

**BECKER structural engineers, inc.**

**SYTDesign CONSULTANTS**  
CIVIL ENGINEERING & LANDSCAPE ARCHITECTURE

**ALLIED/COOK CONSTRUCTION**

**Faireau ELECTRIC**

**Titan Mechanical**  
Energy and Mechanical Services

**UNIVERSITY OF NEW ENGLAND**

**COLLEGE OF PHARMACY**

716 STEVENS AVENUE, PORTLAND, ME

#	DATE	DESCRIPTION
		BID SET
	Date Issued	02/08/08
	Project Number	06506

SHEET NAME  
**DETAILS**

Drawn By  
EC, AM, EK  
Checked By  
LAS

A8.1

**BID SET - NOT FOR CONSTRUCTION**