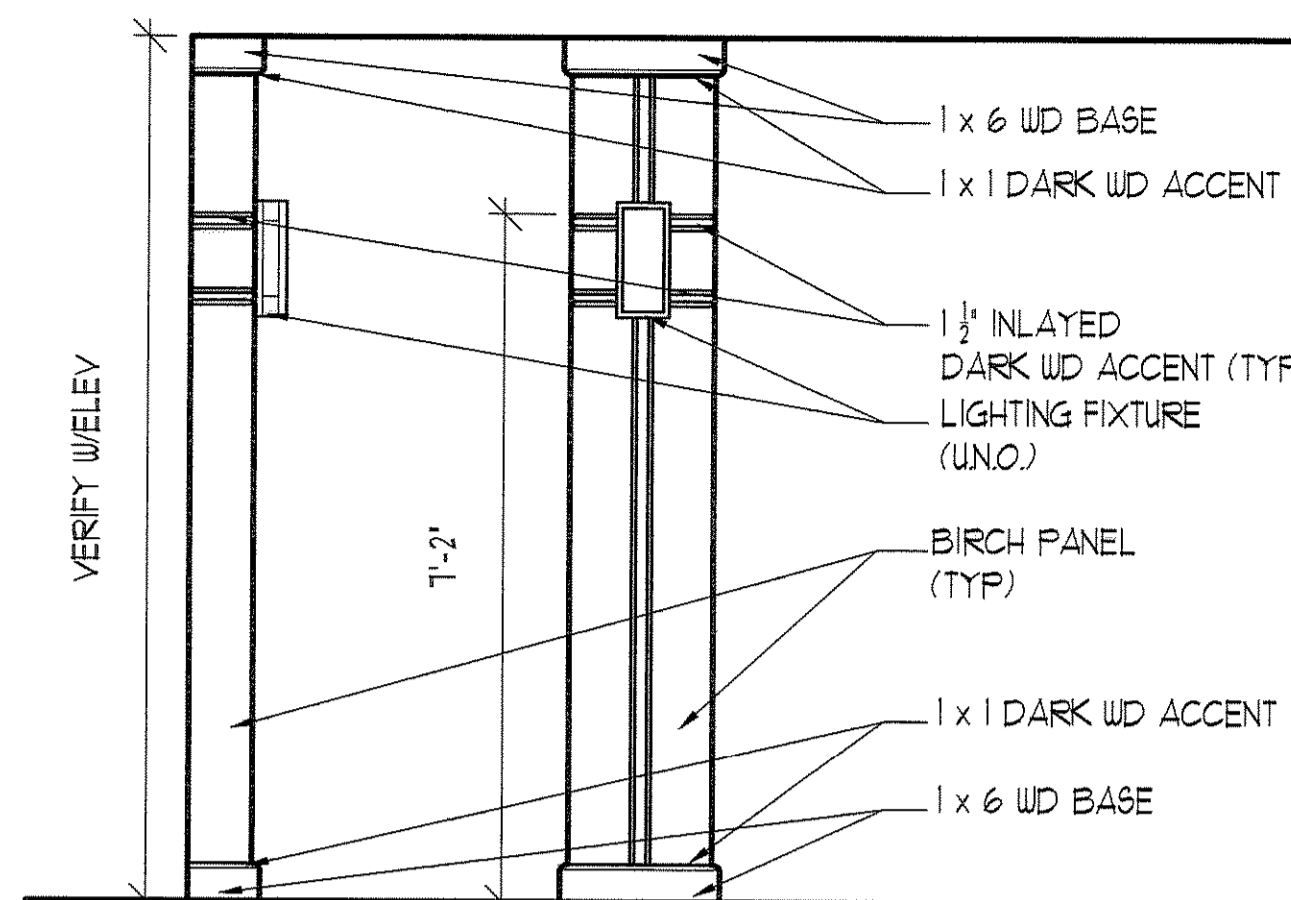
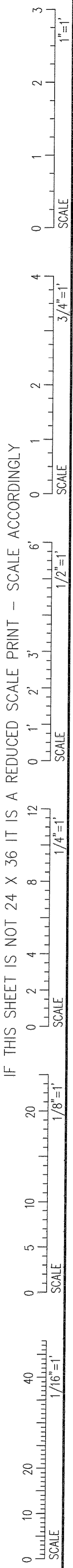
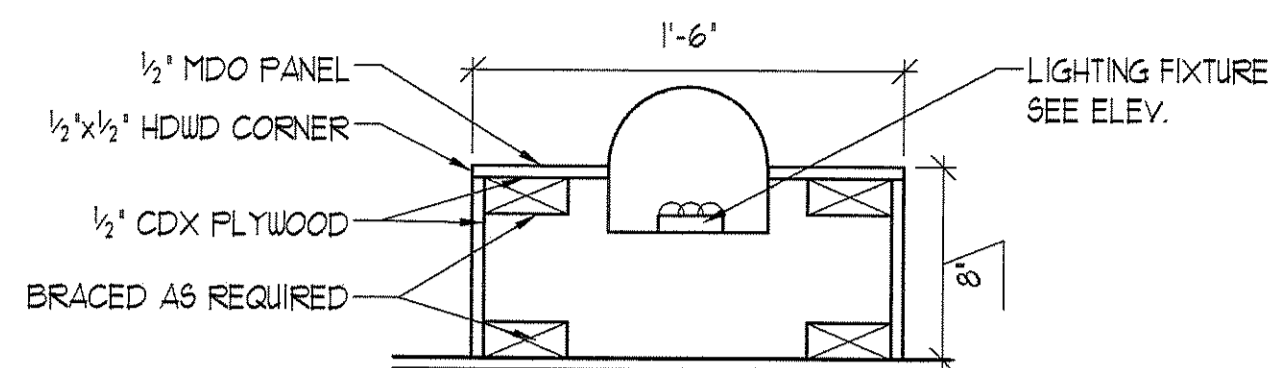


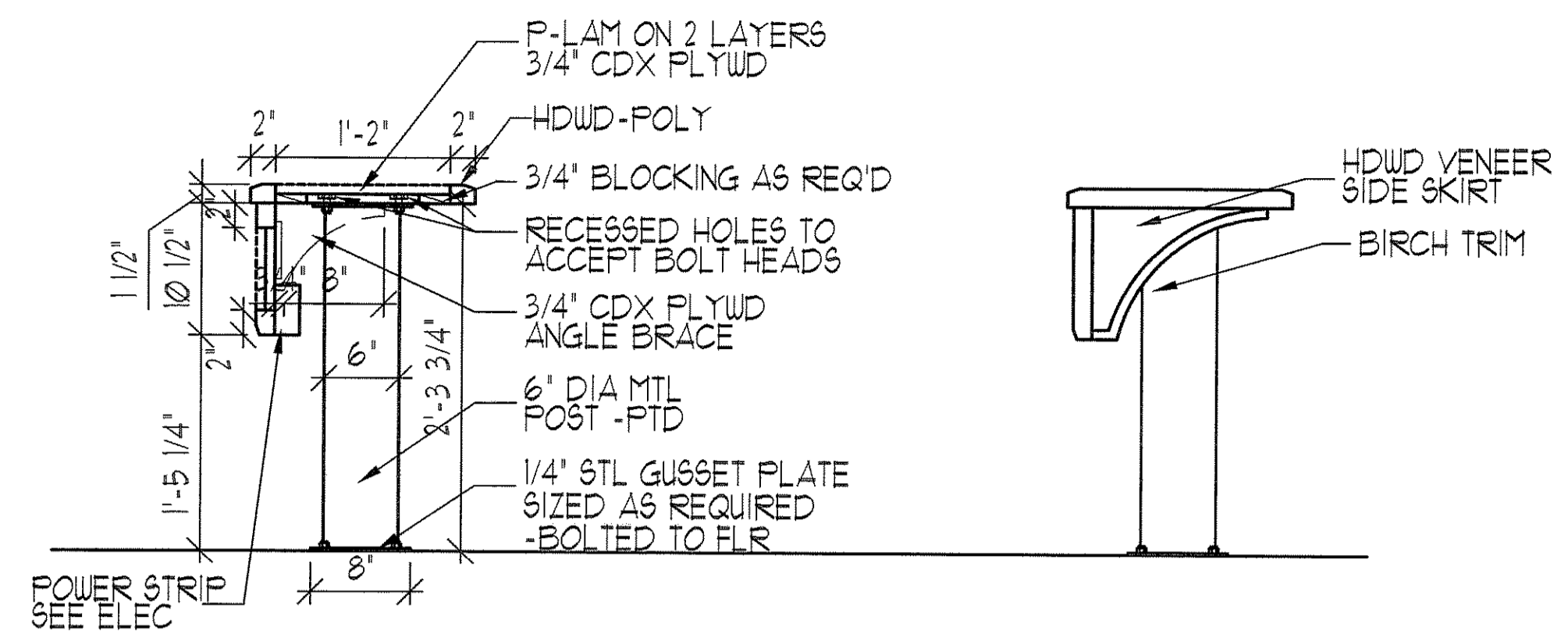
IF THIS SHEET IS NOT 24 X 36 IT IS A REDUCED SCALE PRINT - SCALE ACCORDINGLY



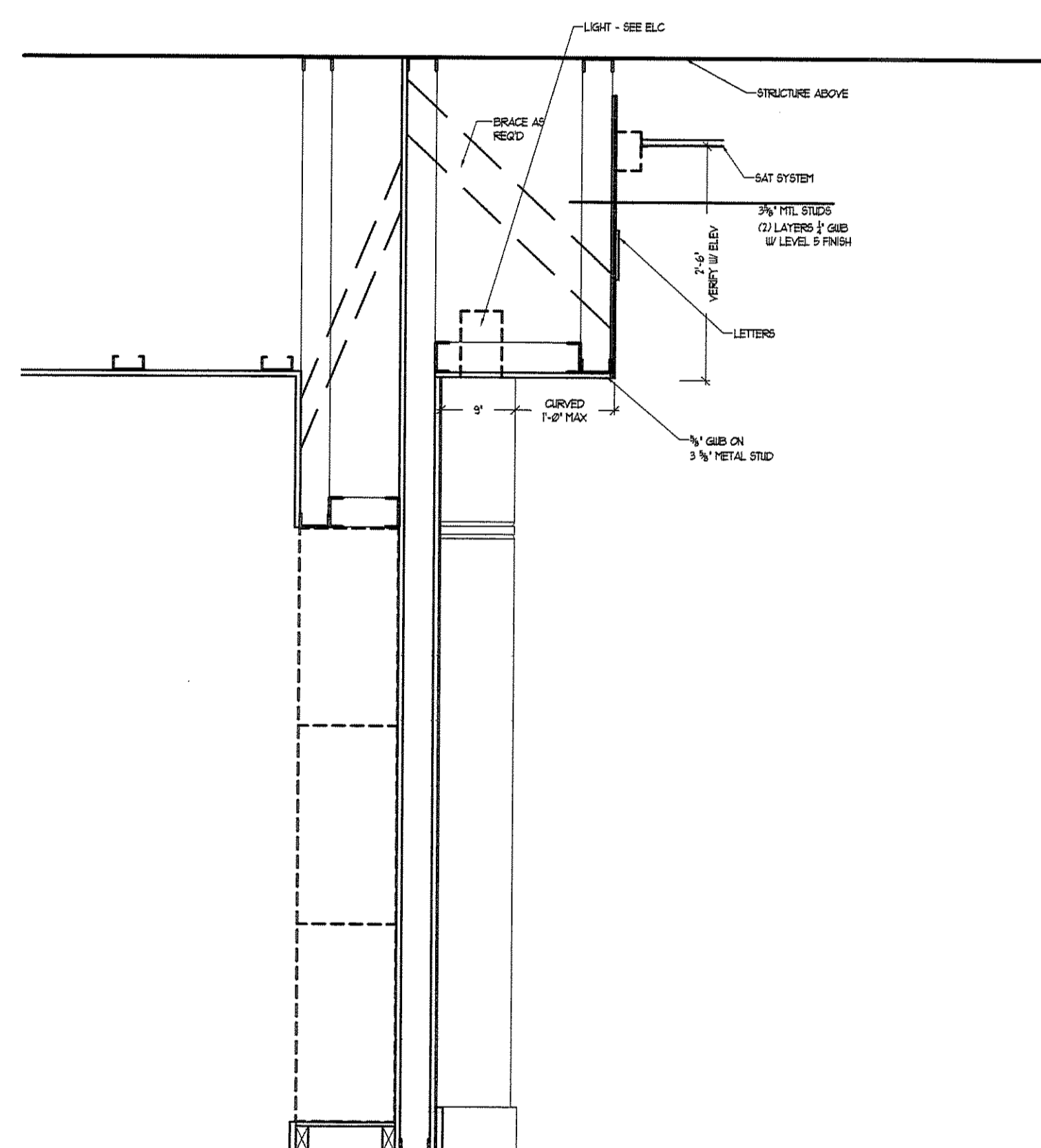
1 COLUMN DETAIL
SCALE: 1/2" = 1'-0"



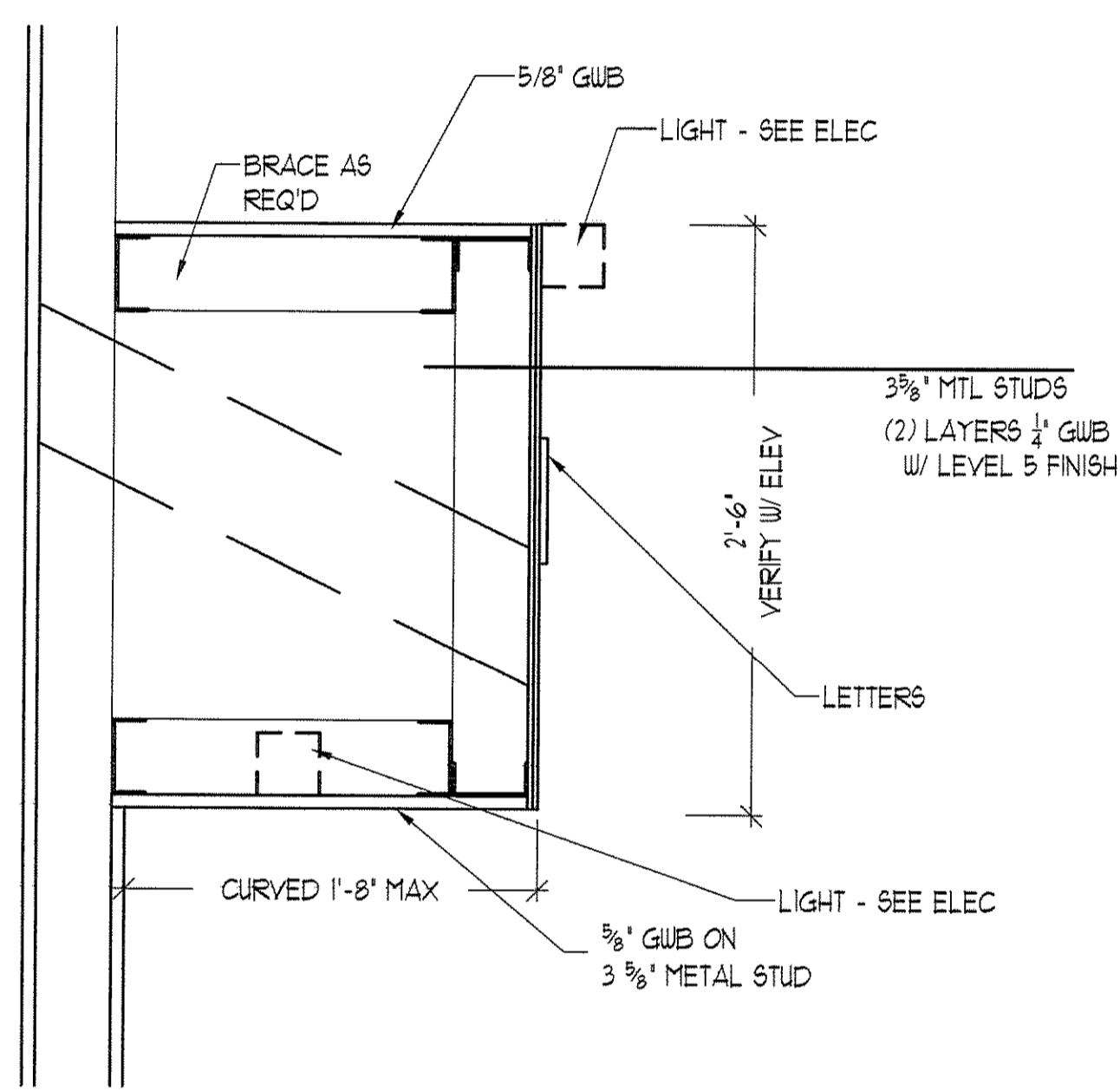
2 COLUMN PLAN
SCALE: 1/2" = 1'-0"



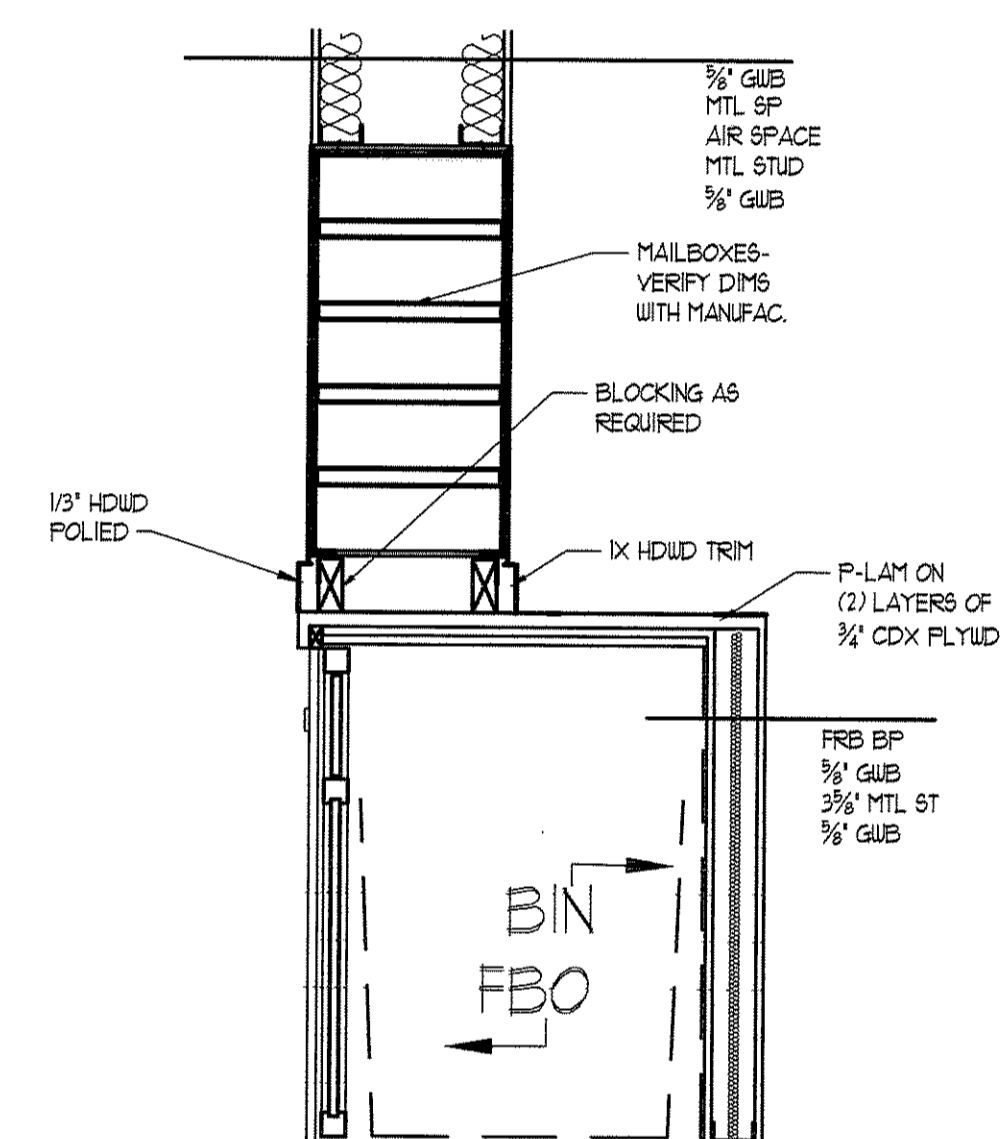
3 DESK DETAIL
SCALE: 1" = 1'-0"



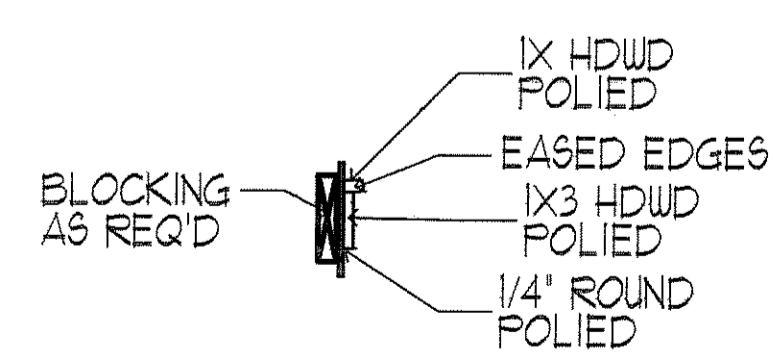
8 WALL DETAIL
SCALE: 3/4" = 1'-0"



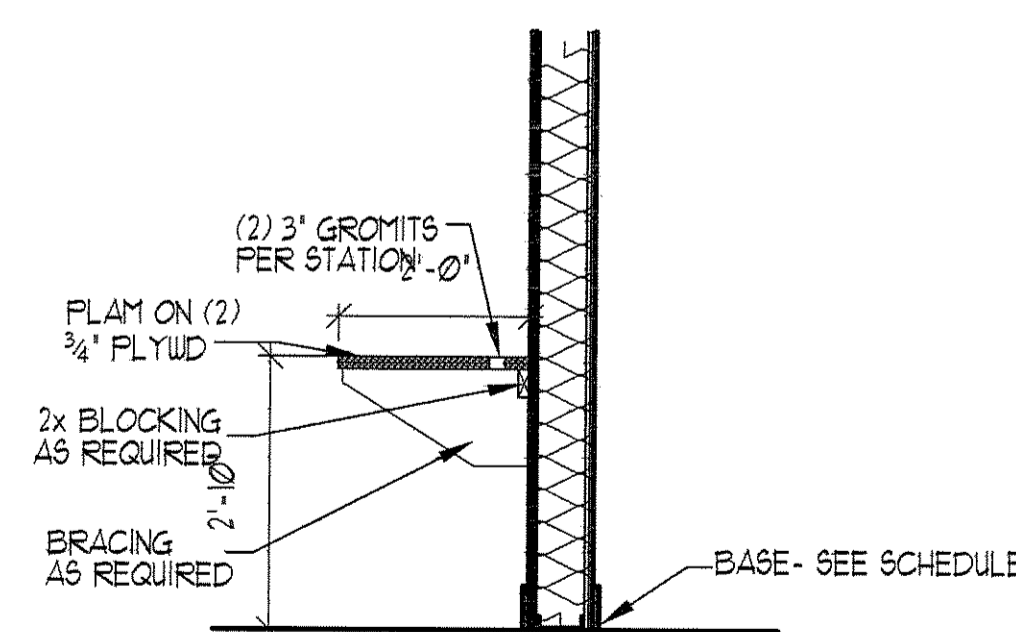
6 SIGN DETAIL W/O S.A.T
SCALE: 1/2" = 1'-0"



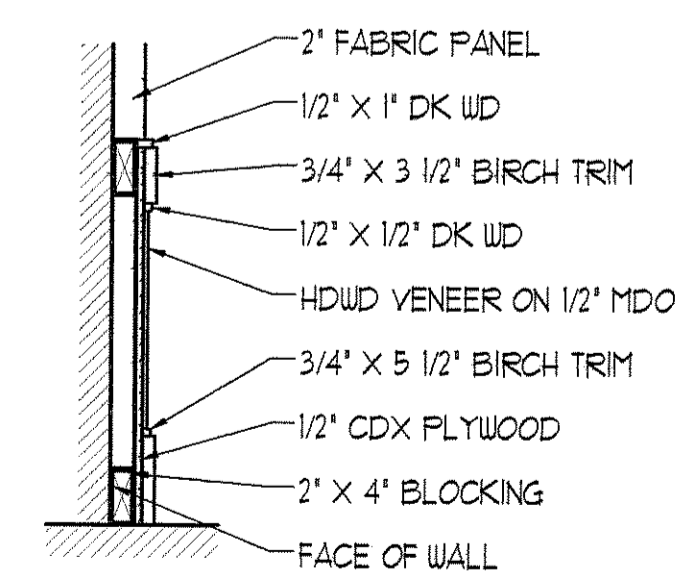
4 MAILBOX DETAIL
SCALE: 3/4" = 1'-0"



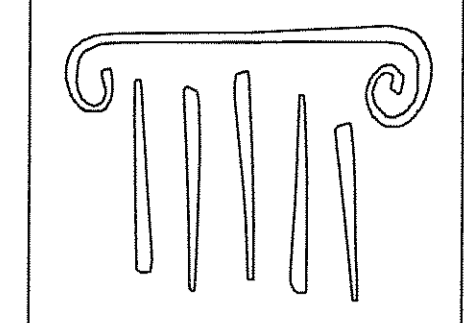
9 CHAIR RAIL DETAIL
SCALE: 1" = 1'-0"



7 WORK STATION DETAIL
SCALE: 1/2" = 1'-0"



5 LECTURE HALL DETAIL
SCALE: 3/4" = 1'-0"



PORT CITY ARCHITECTURE

65 NEWBURY STREET
PORTLAND, ME 04101
207.761.9000
fax: 207.761.2010
lita@portcityarch.com

JACOBS CONSULTANCY
GPR Laboratory Planning Practice

VANZELM ENGINEERS
VANZELM HEYWOOD & SEAFORD, INC.

BECKER structural engineers, inc.

SYTDesign CONSULTANTS
CIVIL ENGINEERING & LANDSCAPE ARCHITECTURE

ALLIED/COOK CONSTRUCTION

Favreau ELECTRIC

Titan Mechanical
MECHANICAL ENGINEERING & CONSTRUCTION

UNIVERSITY OF NEW ENGLAND

COLLEGE OF PHARMACY

716 STEVENS AVENUE, PORTLAND, ME

DATE	DESCRIPTION
	BID SET
Date Issued	02/08/08
Project Number	06506
GODDARD SHEET NAME	

INTERIOR ELEV.

Drawn By
EC, AM, EK

Checked By
LAS

A6.15

BID SET - NOT FOR CONSTRUCTION

COPYRIGHT: Reuse or reproduction of the contents of this document is not permitted without written permission of PORT CITY ARCHITECTURE PA