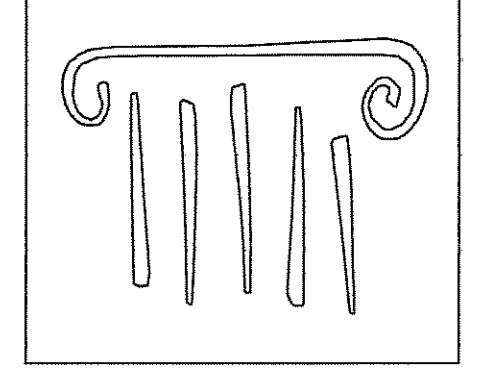
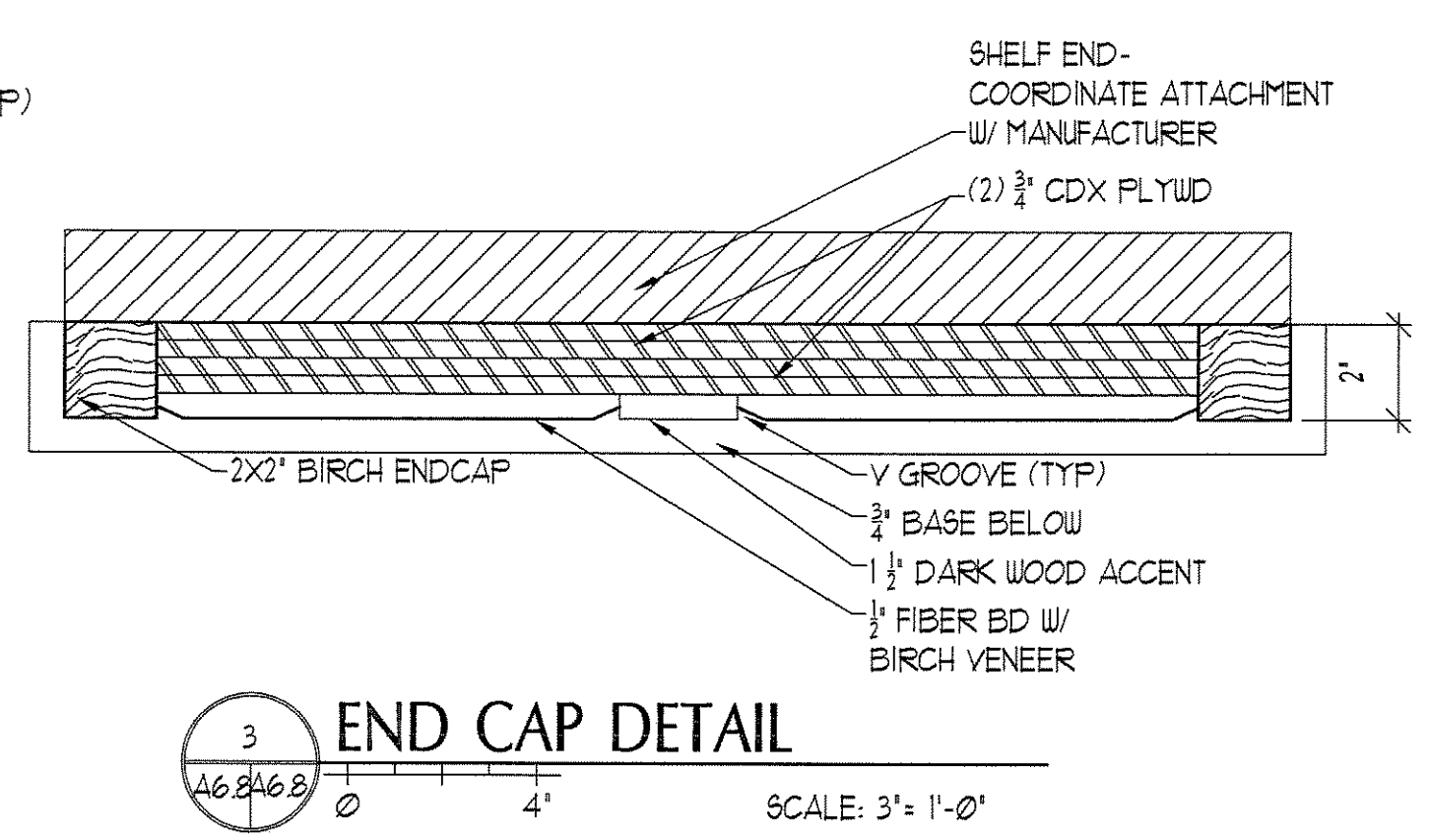
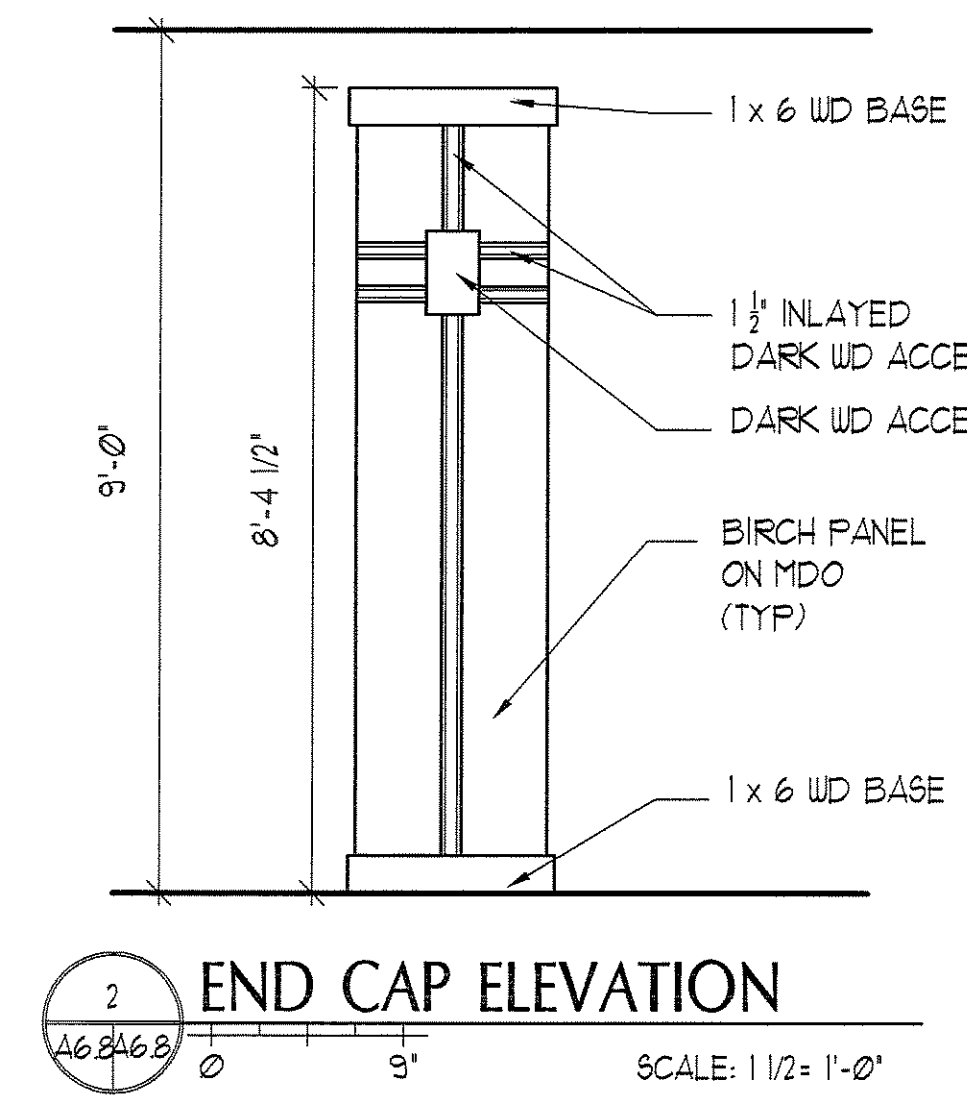
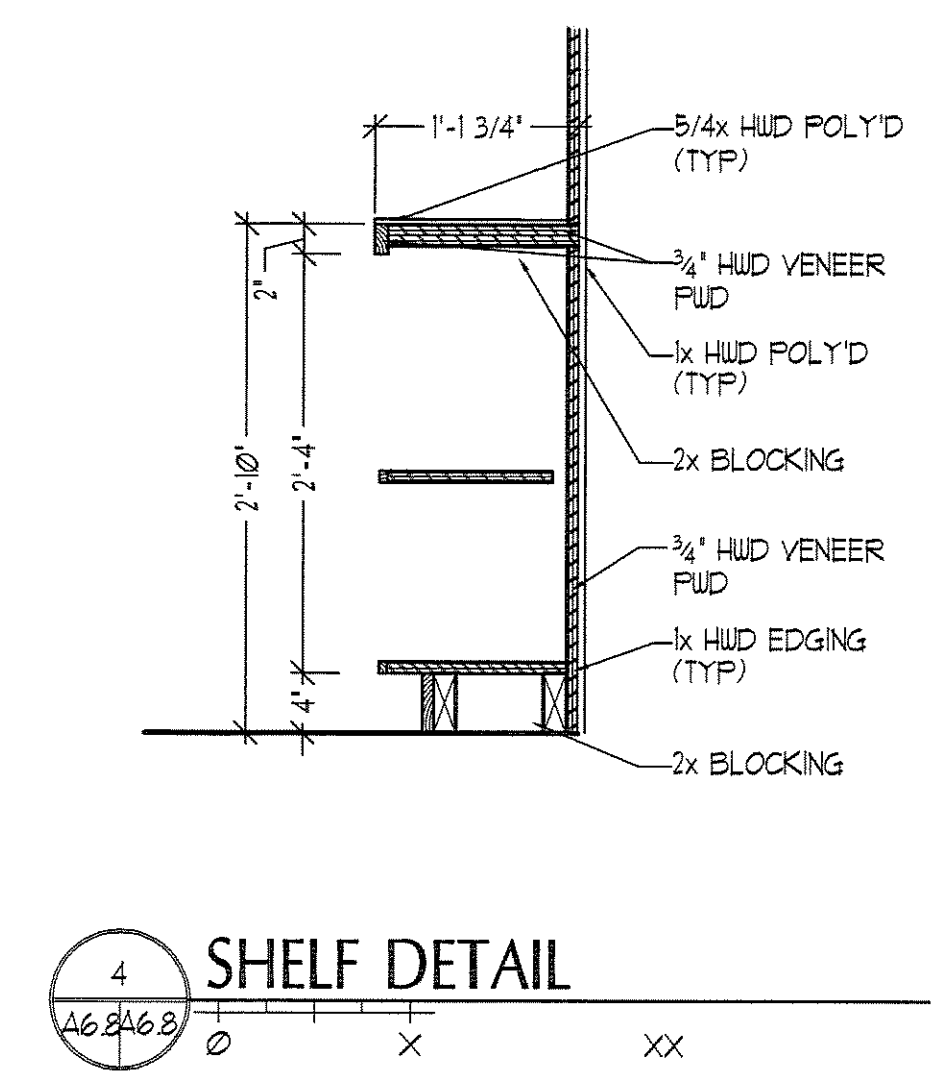
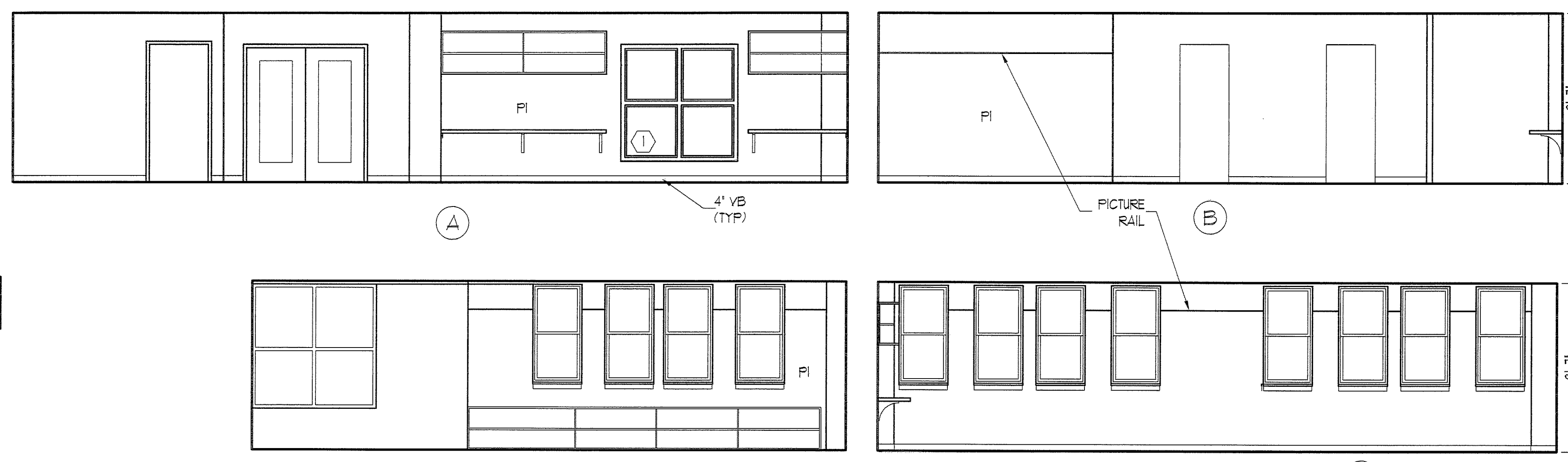
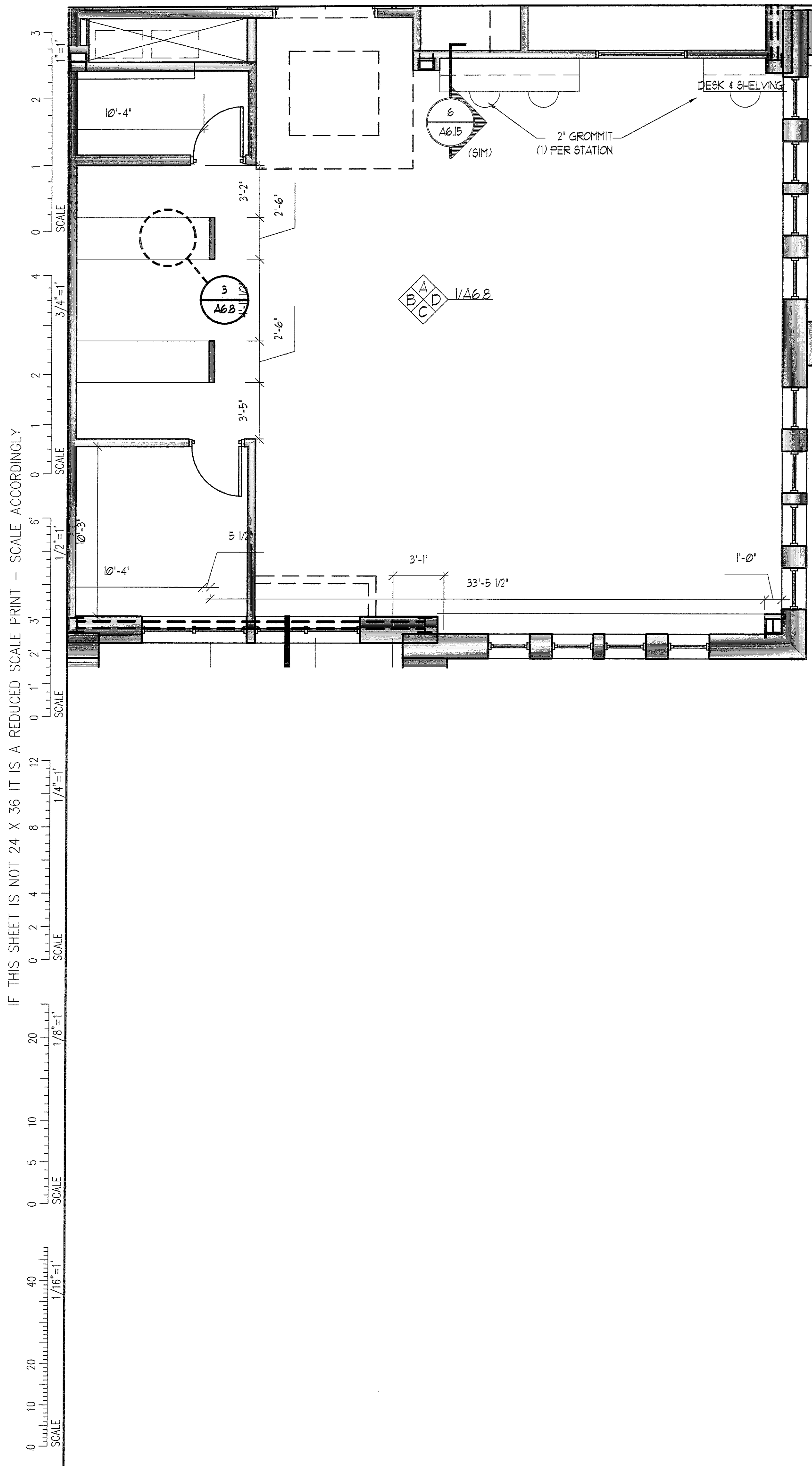


IF THIS SHEET IS NOT 24 X 36 IT IS A REDUCED SCALE PRINT - SCALE ACCORDINGLY



PORT CITY ARCHITECTURE

65 NEWBURY STREET
 PORTLAND, ME 04101
 207.761.9000
 fax: 207.761.2010
 lita@portcityarch.com

JACOBS CONSULTANCY
 GPR Laboratory Planning Practice

VANZELM ENGINEERS
 VANZELM HEYWOOD & SHAFORD, INC.

BECKER structural engineers, inc.

SYTDesign CONSULTANTS
 CIVIL ENGINEERING & LANDSCAPE ARCHITECTURE

ALLIED/COOK CONSTRUCTION

Favreau ELECTRIC

Titan Mechanical
 MECHANICAL CONTRACTORS

UNIVERSITY OF NEW ENGLAND

COLLEGE OF PHARMACY

716 STEVENS AVENUE, PORTLAND, ME

#	DATE	DESCRIPTION
		BID SET
	02/02/08	Date Issued
	06506	Project Number

SHEET NAME
INTERIOR ELEVATIONS

Drawn By
 EC, AM, EK
 Checked By
 LAS

A6.9

BID SET - NOT FOR CONSTRUCTION

COPYRIGHT: Reuse or reproduction of the contents of this document is not permitted without written permission of PORT CITY ARCHITECTURE PA