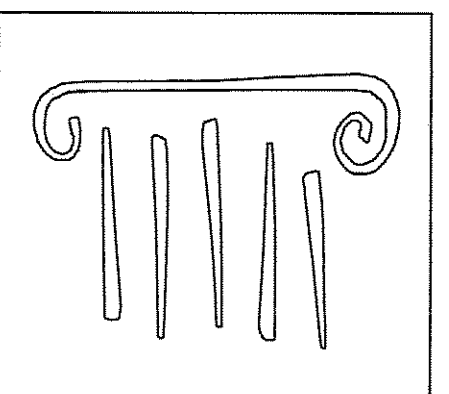
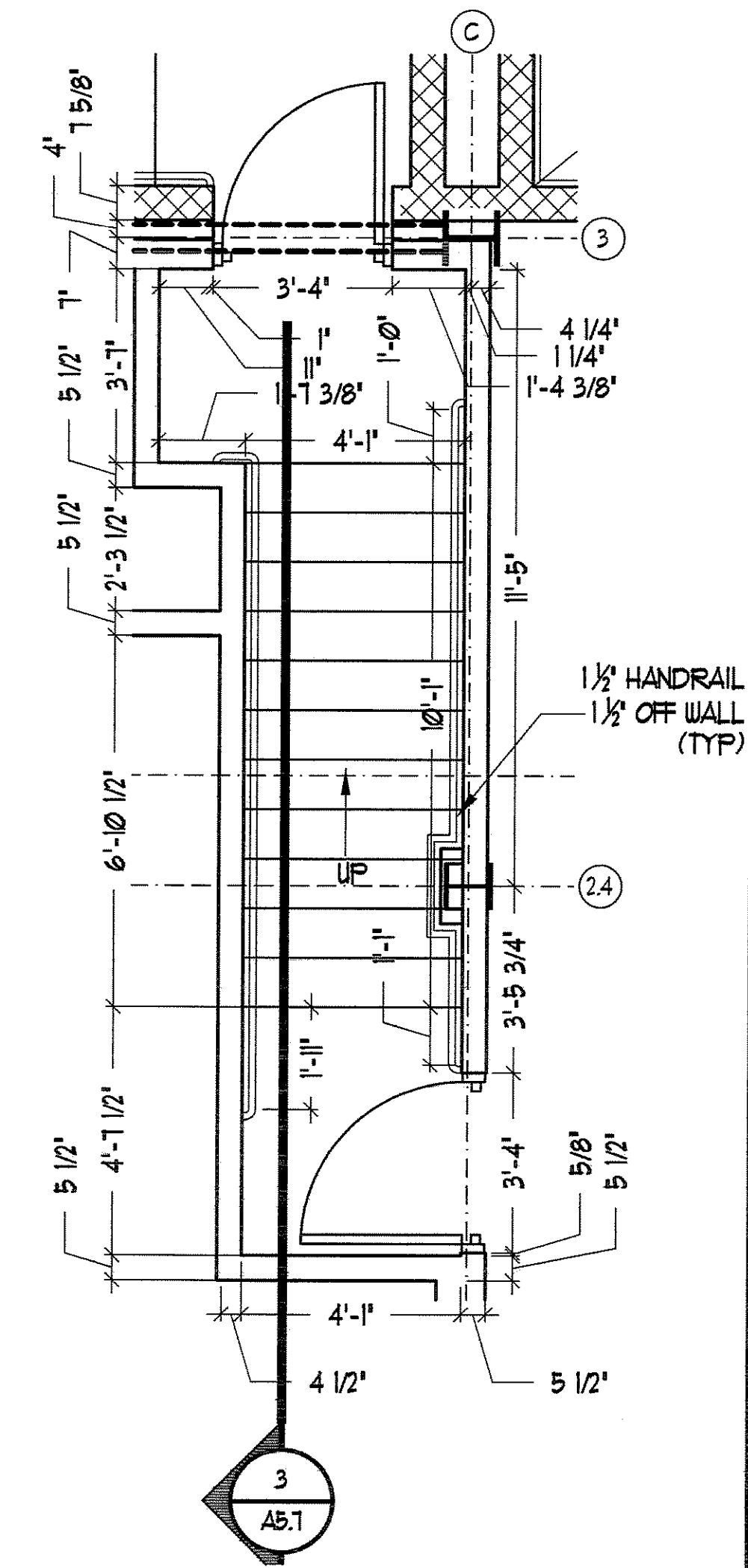
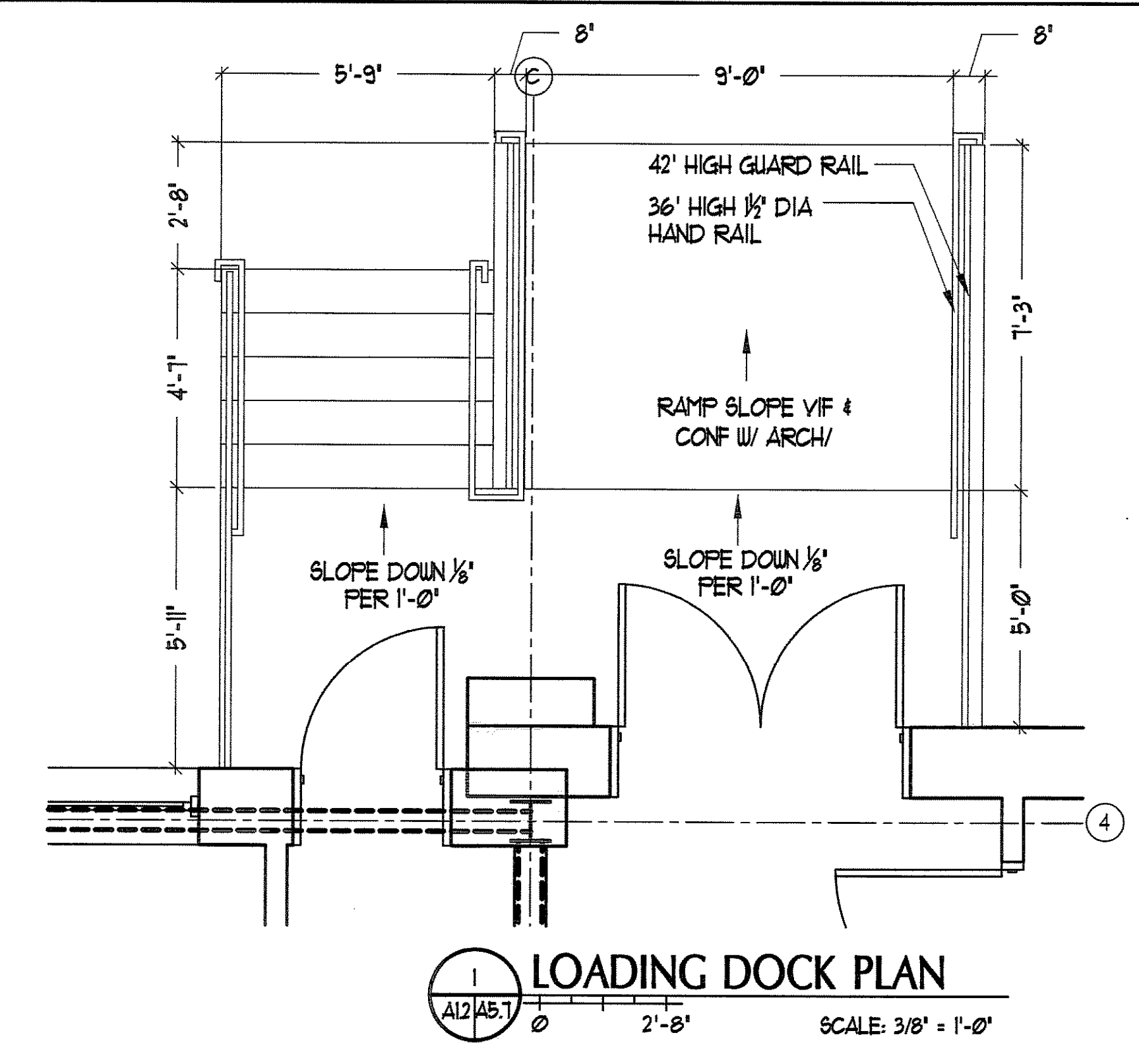
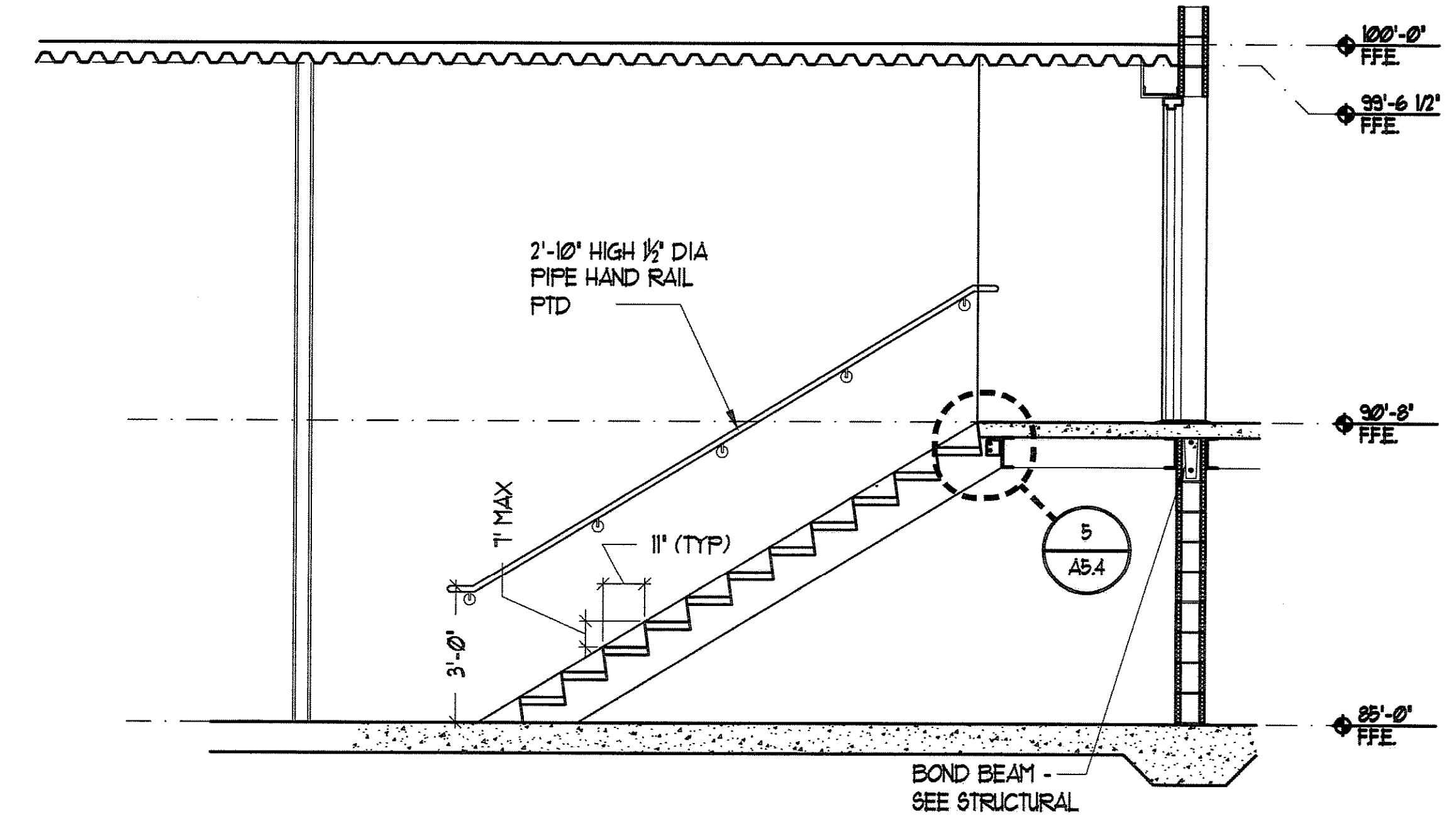
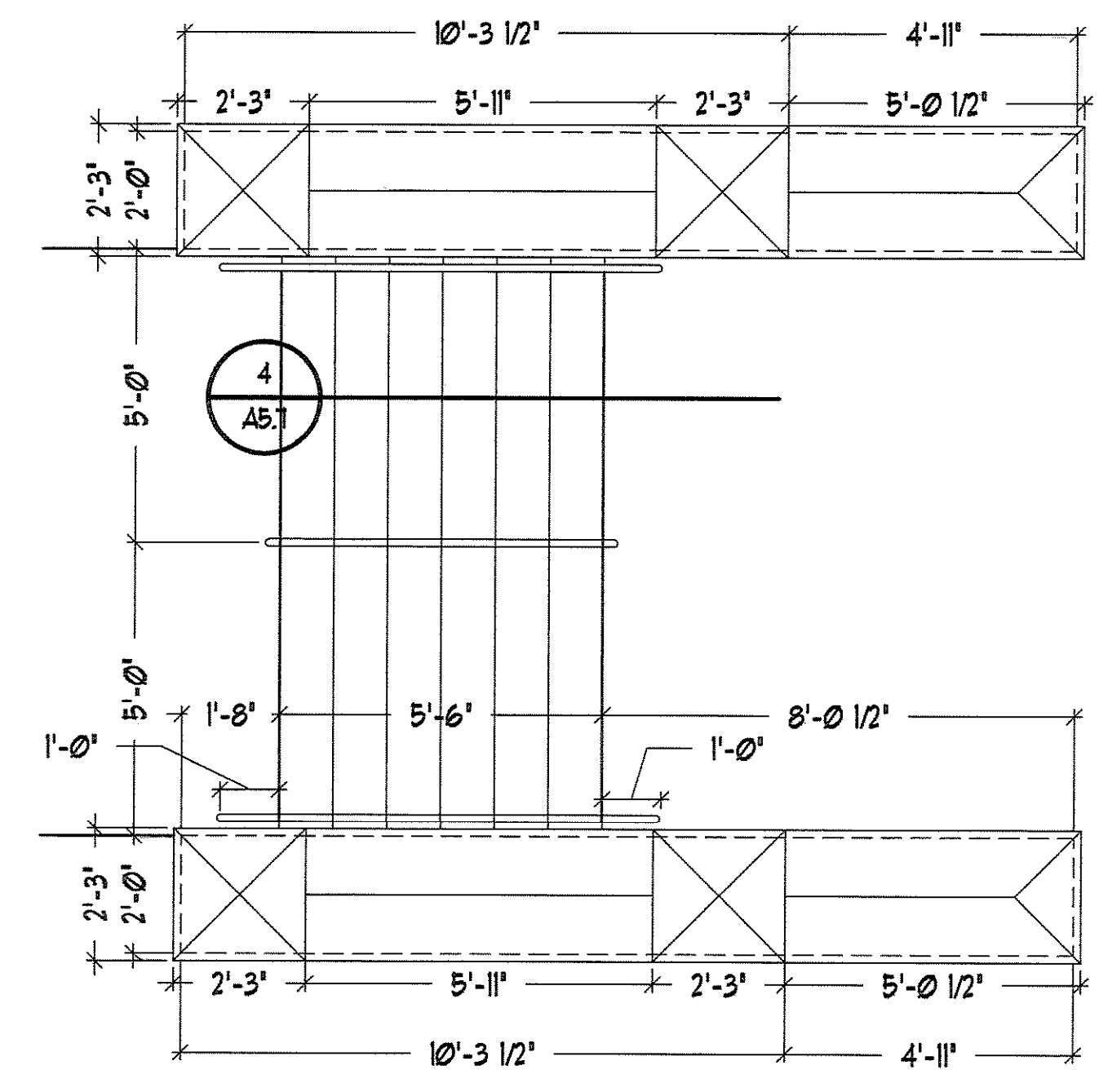
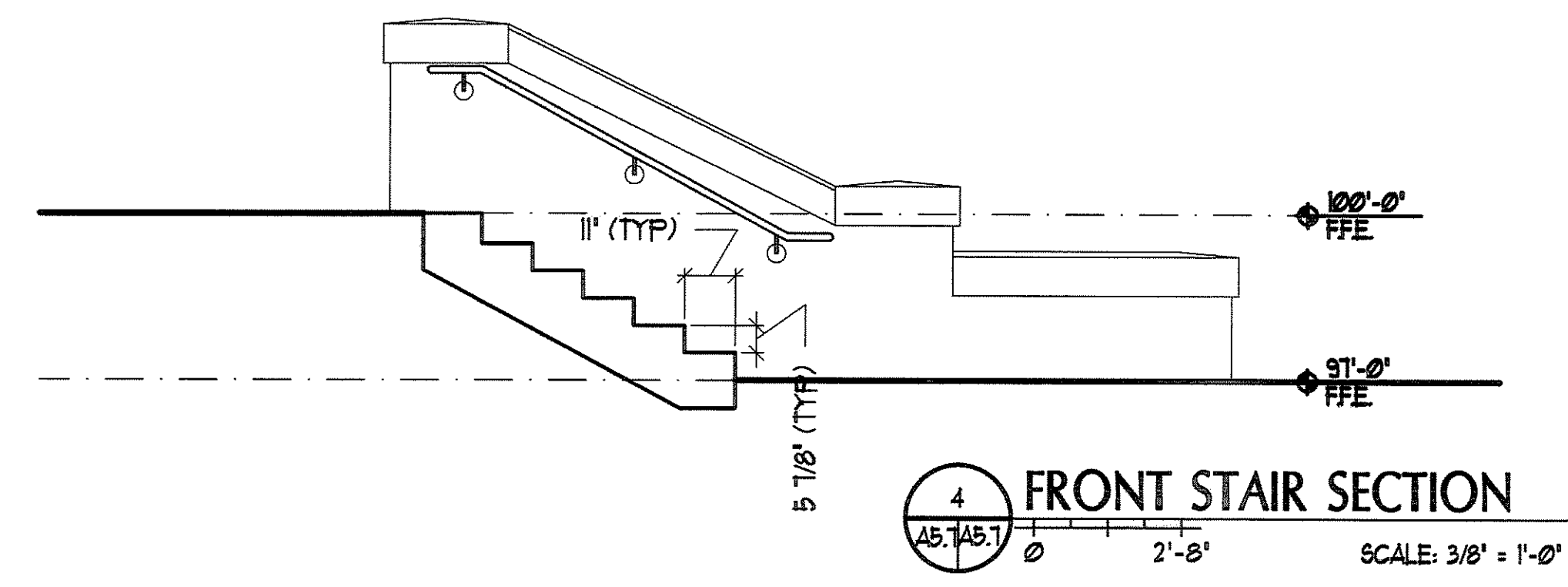
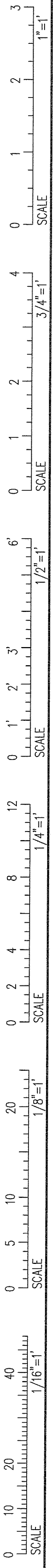


IF THIS SHEET IS NOT 24 X 36 IT IS A REDUCED SCALE PRINT - SCALE ACCORDINGLY



**PORT CITY ARCHITECTURE**

65 NEWBURY STREET  
 PORTLAND, ME 04101  
 207.761.9000  
 fax: 207.761.2010  
 lita@portcityarch.com

**JACOBS CONSULTANCY**  
 OPR Laboratory Planning Practice

**VANZELM ENGINEERS**  
 VANZELM KEYWOOD & SHADFORD, INC.

**BECKER structural engineers, inc.**

**SYTDesign CONSULTANTS**  
 CIVIL ENGINEERING & LANDSCAPE ARCHITECTURE

**ALLIED/COOK CONSTRUCTION**

**Favreau ELECTRIC**

**Titan Mechanical**

UNIVERSITY OF NEW ENGLAND

COLLEGE OF PHARMACY

716 STEVENS AVENUE, PORTLAND, ME

DATE	DESCRIPTION
	BID SET
Date Issued	02/08/08
Project Number	06506

SHEET NAME  
**EXTERIOR STAIR PLANS**

Drawn By  
 EC, AM, EK  
 Checked By  
 LAS

**A5.7**

**BID SET - NOT FOR CONSTRUCTION**

COPYRIGHT: Reuse or reproduction of the contents of this document is not permitted without written permission of PORT CITY ARCHITECTURE PA