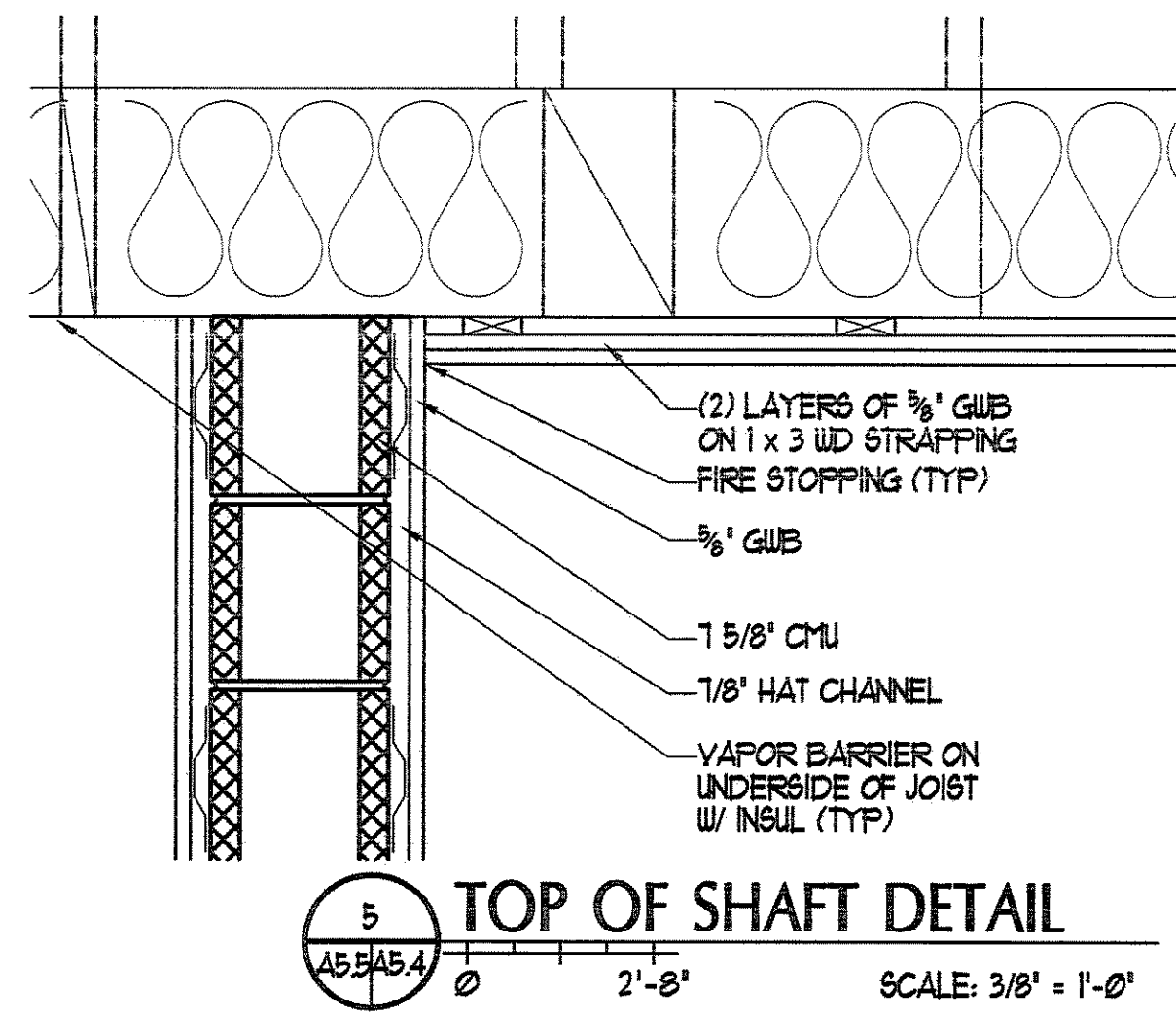
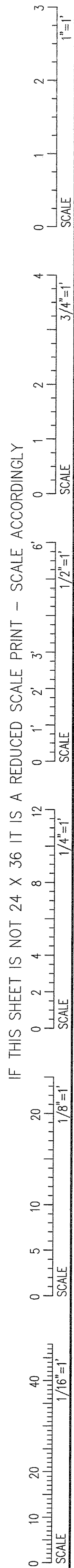
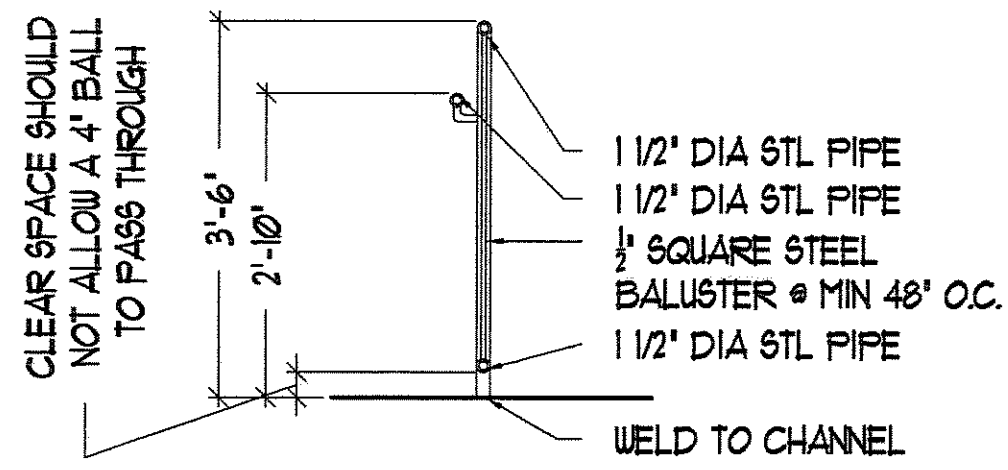


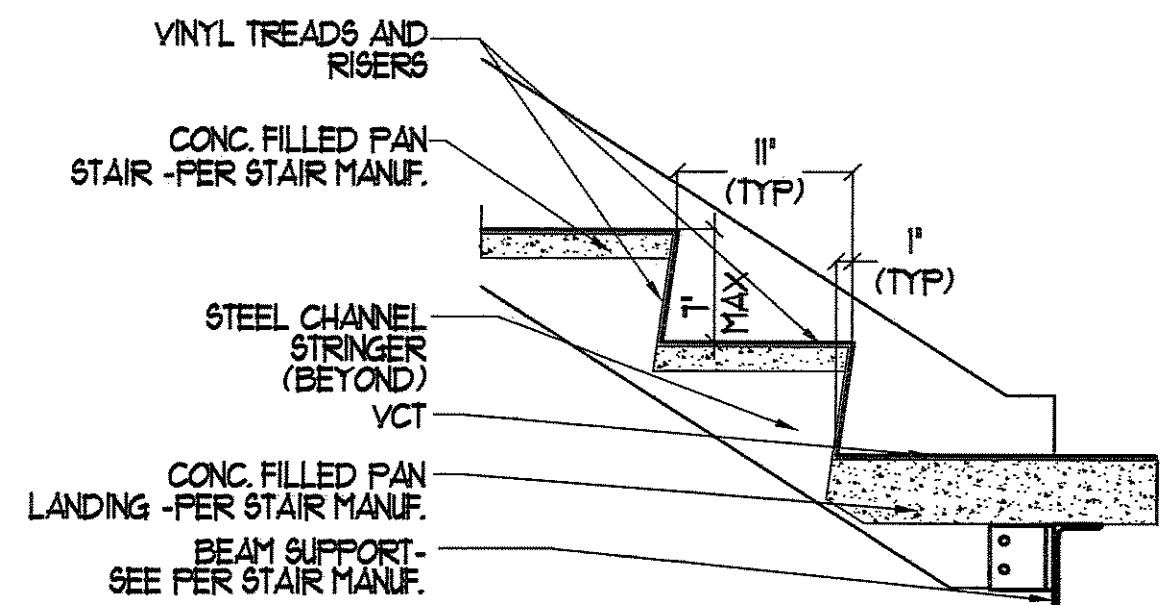
IF THIS SHEET IS NOT 24 X 36 IT IS A REDUCED SCALE PRINT - SCALE ACCORDINGLY



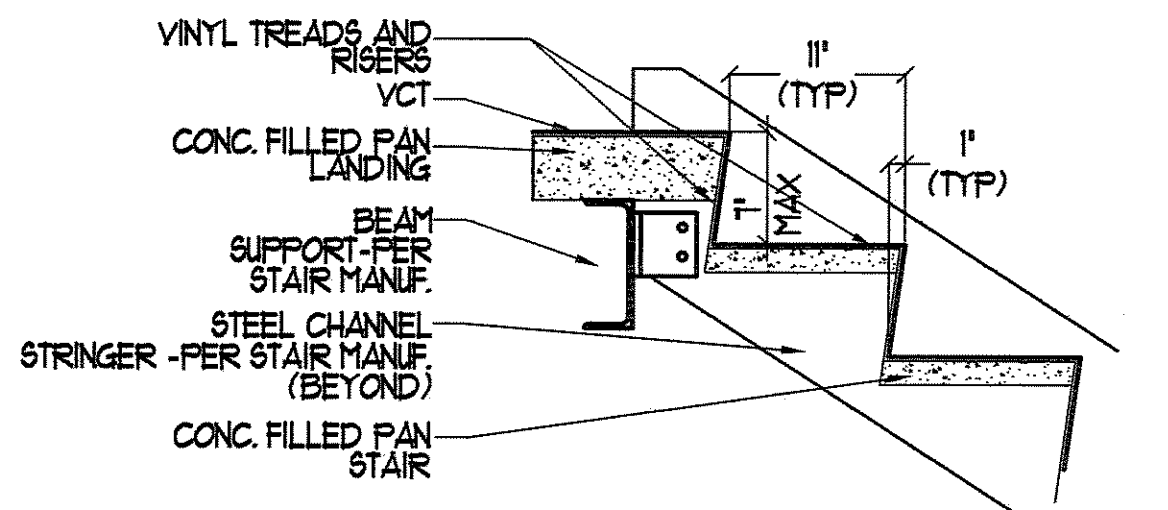
5 TOP OF SHAFT DETAIL  
SCALE: 3/8" = 1'-0"



6 HANDRAIL DETAIL  
SCALE: 3/8" = 1'-0"



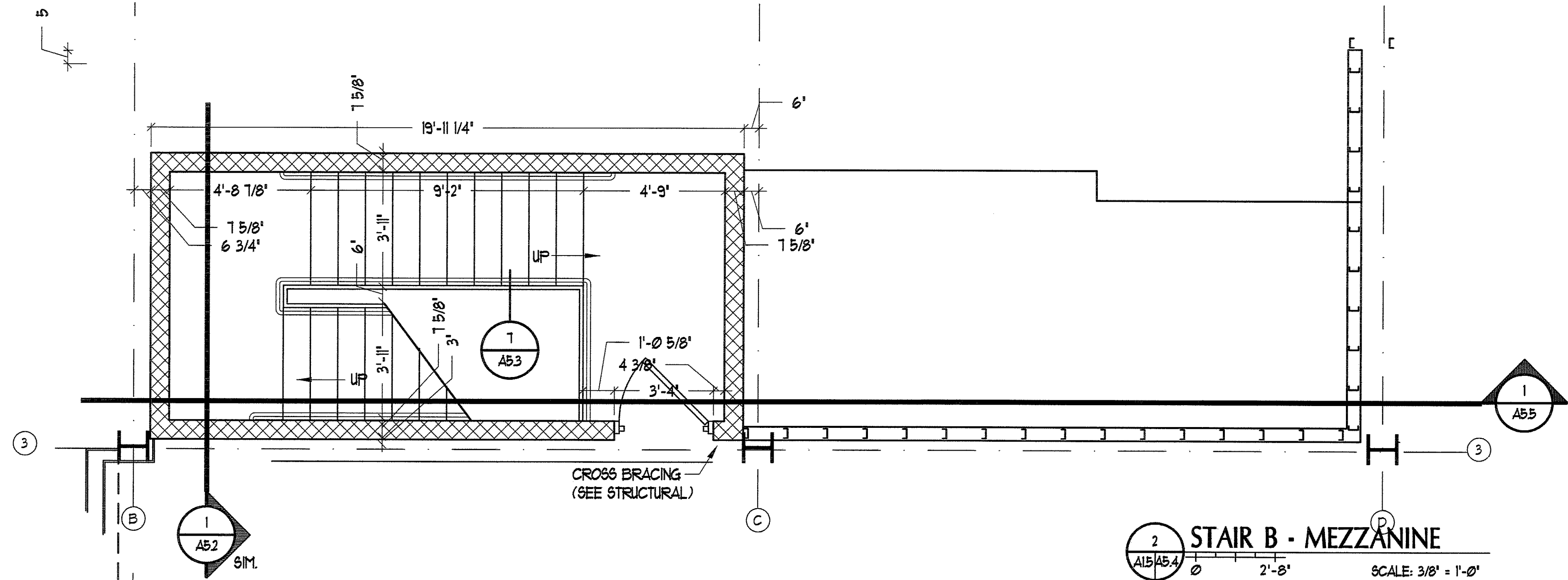
7 BOTTOM STEP DETAIL  
SCALE: 1" = 1'-0"



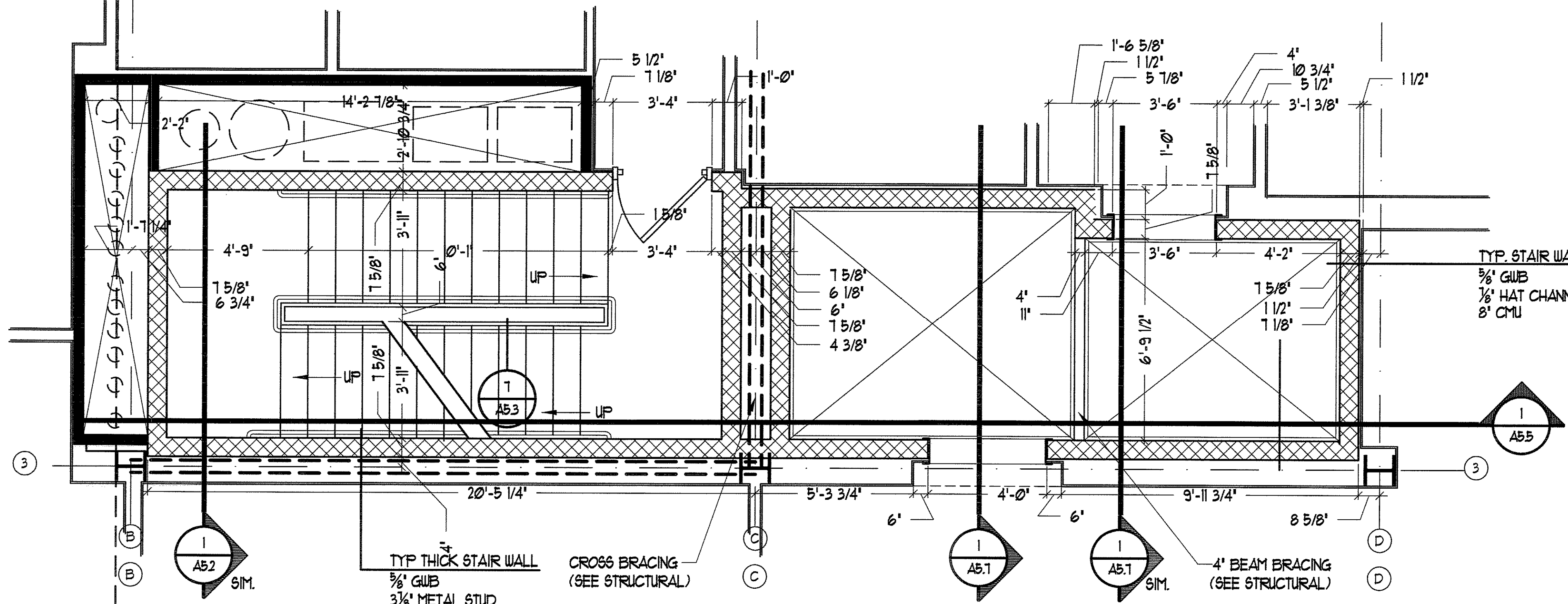
8 TOP STEP DETAIL  
SCALE: 1" = 1'-0"

4 NOT USED  
SCALE: 3/8" = 1'-0"

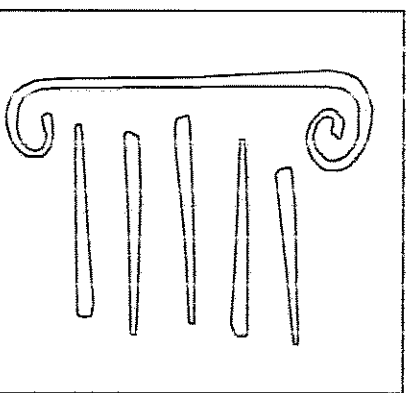
1 NOT USED  
SCALE: 3/8" = 1'-0"



2 STAIR B - MEZZANINE  
SCALE: 3/8" = 1'-0"



3 STAIR B - THIRD FLOOR  
SCALE: 3/8" = 1'-0"



PORT CITY ARCHITECTURE

65 NEWBURY STREET  
PORTLAND, ME 04101  
207.761.9000  
fax: 207.761.2010  
lita@portcityarch.com

JACOBS CONSULTANCY  
GPR Laboratory Planning Practice

VANZELM ENGINEERS  
VANZELM REYNOLDS & SHADFORD, INC.

BECKER structural engineers, inc.

SYTDesign CONSULTANTS  
CIVIL ENGINEERING & LANDSCAPE ARCHITECTURE

ALLIED/COOK CONSTRUCTION

Favreau ELECTRIC

Titan Mechanical INC.  
MECHANICAL ENGINEERING & TECHNOLOGY CONSULTING

UNIVERSITY OF NEW ENGLAND

COLLEGE OF PHARMACY

716 STEVENS AVENUE, PORTLAND, ME

DATE	DESCRIPTION
	BID SET
02/08/08	Date Issued
06506	Project Number

SHEET NAME  
**STAIR B PLANS**

Drawn By  
EC, AM, BK  
Checked By  
LA6

**A5.4**

**BID SET - NOT FOR CONSTRUCTION**

COPYRIGHT: Reuse or reproduction of the contents of this document is not permitted without written permission of PORT CITY ARCHITECTURE PA