

PORT CITY ARCHITECTURE

65 NEWBURY STREET  
PORTLAND, ME 04101  
207.761.9000  
fax: 207.761.2010  
lita@portcityarch.com

JACOBS CONSULTANCY  
GPR Laboratory Planning Practice

VANZELM ENGINEERS  
VANZELM HEYWOOD & BRADFORD, INC.

BECKER structural engineers, inc.

SYTDDesign CONSULTANTS  
CIVIL ENGINEERING & LANDSCAPE ARCHITECTURE

ALLIED/COOK CONSTRUCTION

Favreau ELECTRIC

Titan Mechanical  
MECHANICAL CONTRACTORS

UNIVERSITY OF NEW ENGLAND

COLLEGE OF PHARMACY

716 STEVENS AVENUE, PORTLAND, ME

DATE	DESCRIPTION
	BID SET
Date Issued	02/09/08
Project Number	06506

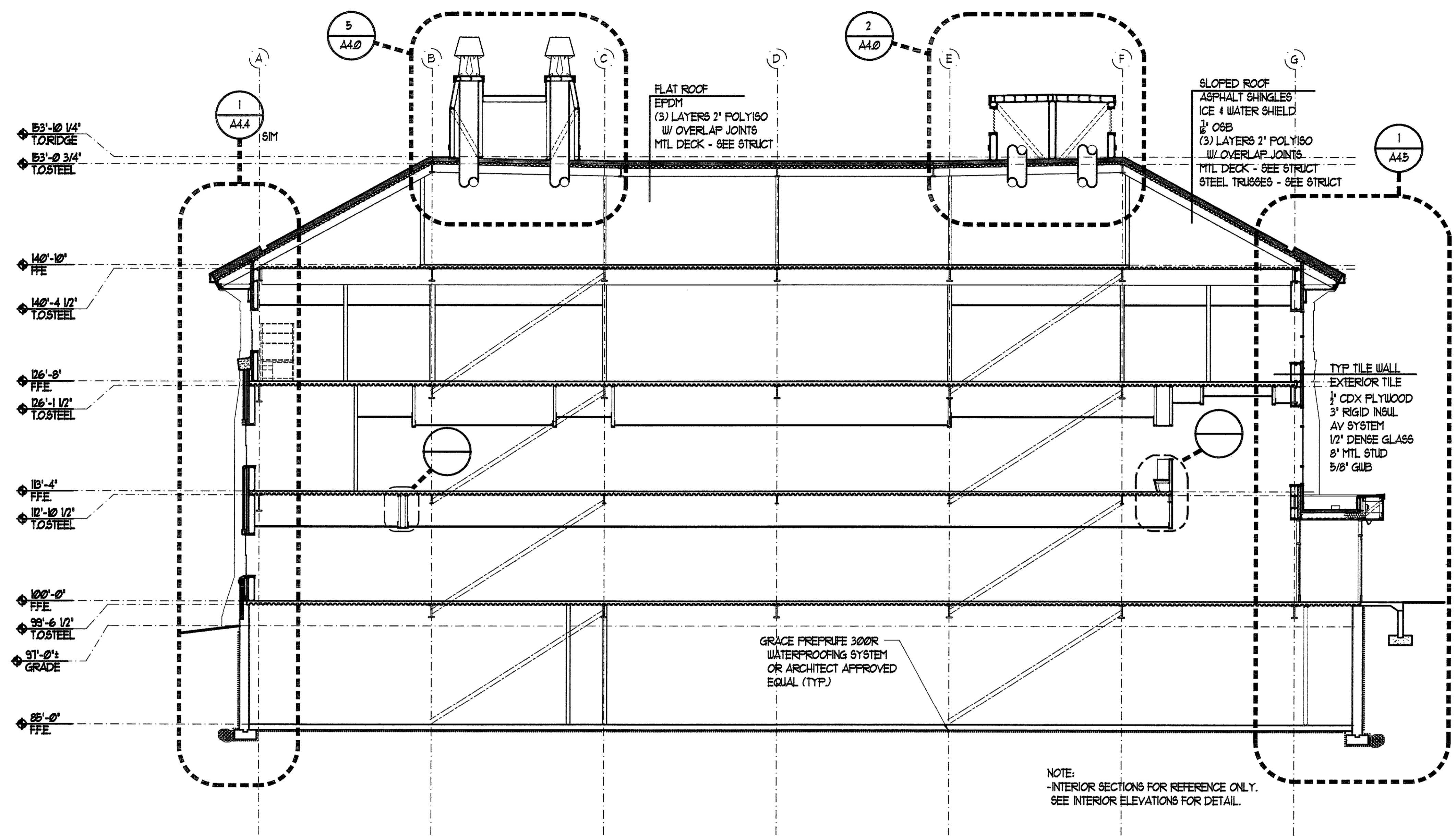
SHEET NAME  
**LONG BUILDING SECTION**

Drawn By  
EC, AM, BK  
Checked By  
LAS

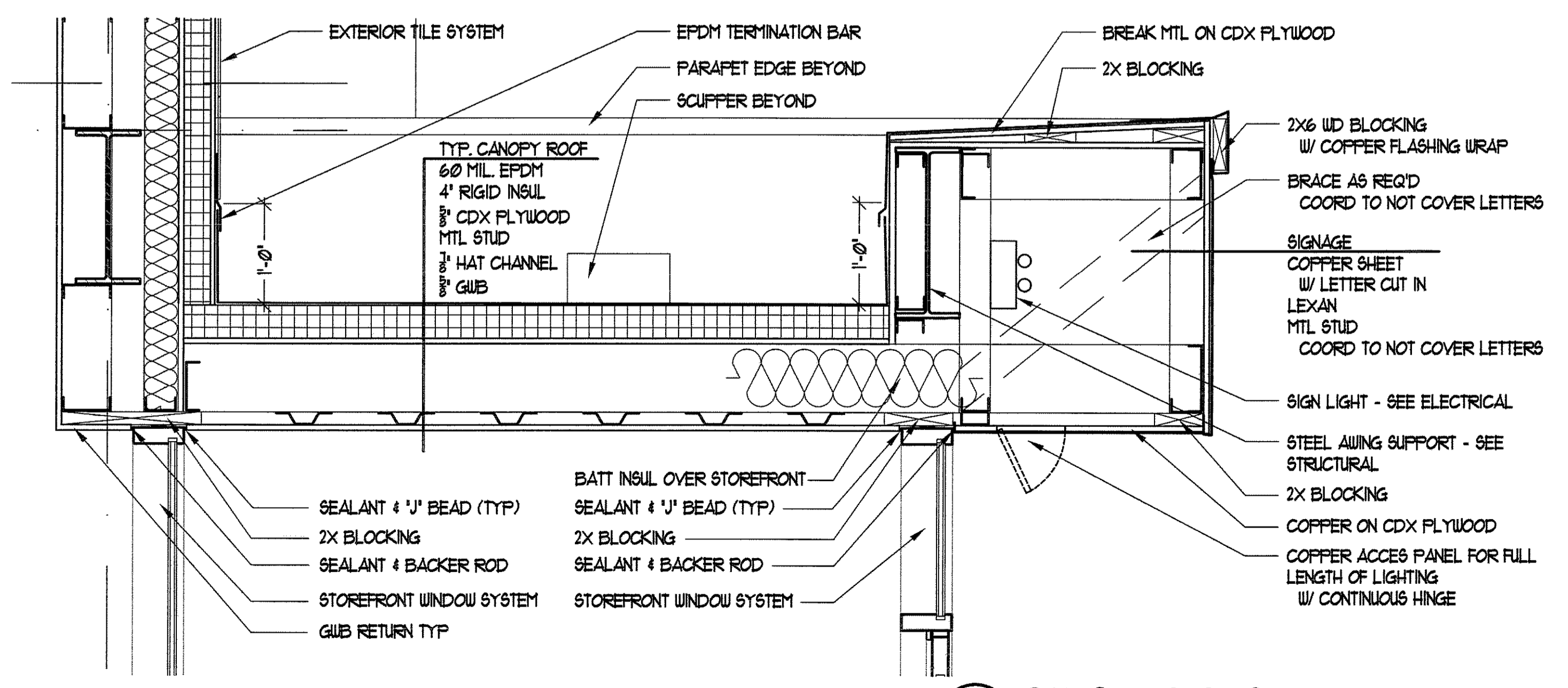
**A4.2**

**BID SET - NOT FOR CONSTRUCTION**

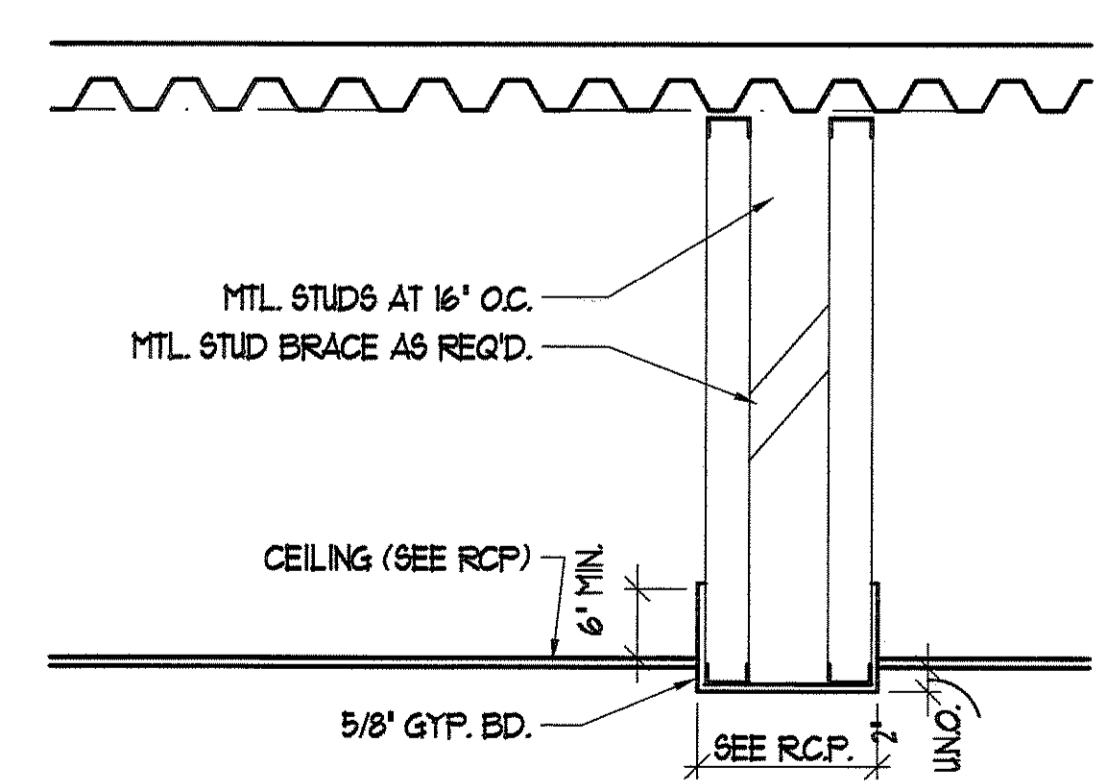
COPYRIGHT: Reuse or reproduction of the contents of this document is not permitted without written permission of PORT CITY ARCHITECTURE PA



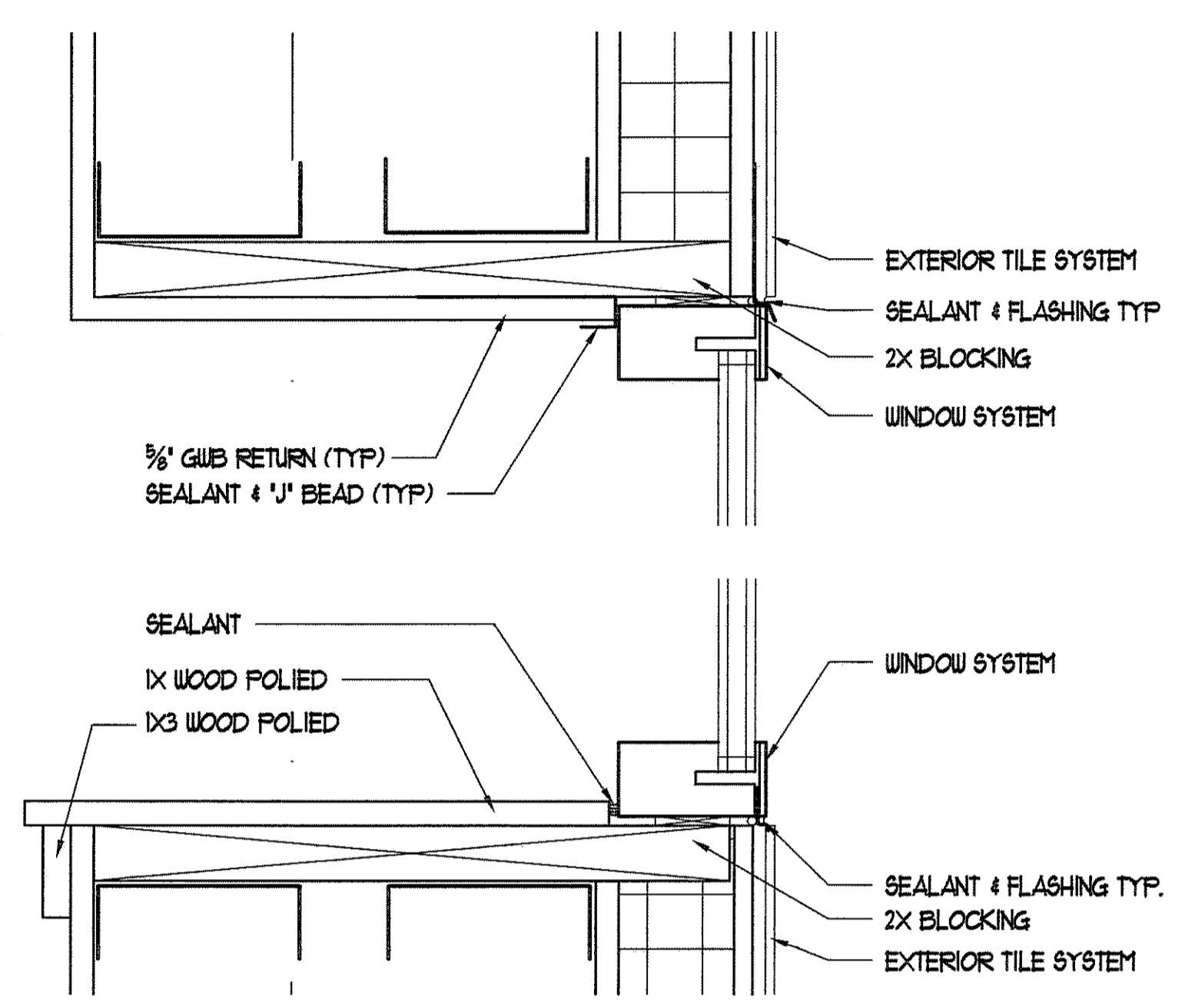
**1 LONG BUILDING SECTION**  
SCALE: 1/8" = 1'-0"



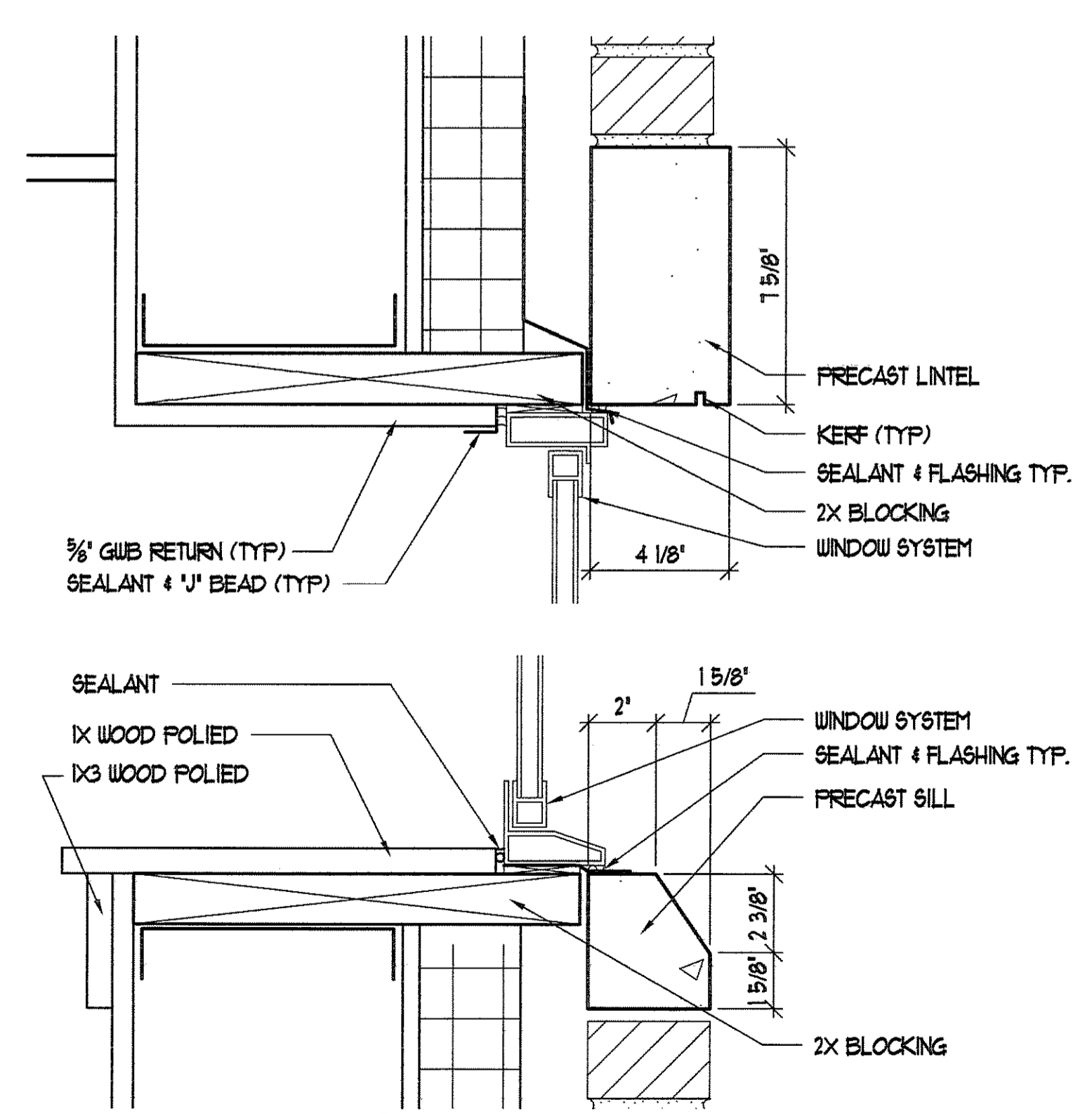
**2 CANOPY SECTION**  
SCALE: 1" = 1'-0"



**3 SOFFIT DETAIL**  
SCALE: 3/4" = 1'-0"



**4 ALUM WINDOW HEAD AND SILL**  
SCALE: 3" = 1'-0"



**5 FIBERGLASS WINDOW HEAD AND SILL**  
SCALE: 3" = 1'-0"

IF THIS SHEET IS NOT 24 X 36 IT IS A REDUCED SCALE PRINT - SCALE ACCORDINGLY

SCALE 1"=1'

SCALE 3/4"=1'

SCALE 1/2"=1'

SCALE 1/4"=1'

SCALE 1/8"=1'

SCALE 1/16"=1'