

PORT CITY ARCHITECTURE

65 NEWBURY STREET  
PORTLAND, ME 04101  
207.761.9000  
fax: 207.761.2010  
lita@portcityarch.com

JACOBS CONSULTANCY  
GPR Laboratory Planning Practice

VANZELM ENGINEERS  
VANZELM BETHELD & SHADROFF, INC.

BECKER structural engineers, inc.

SYTDesign CONSULTANTS  
CIVIL ENGINEERING & LANDSCAPE ARCHITECTURE

ALLIED/COOK CONSTRUCTION

Favreau

Titan Mechanical  
Titan Mechanical  
Titan Mechanical

UNIVERSITY OF NEW ENGLAND

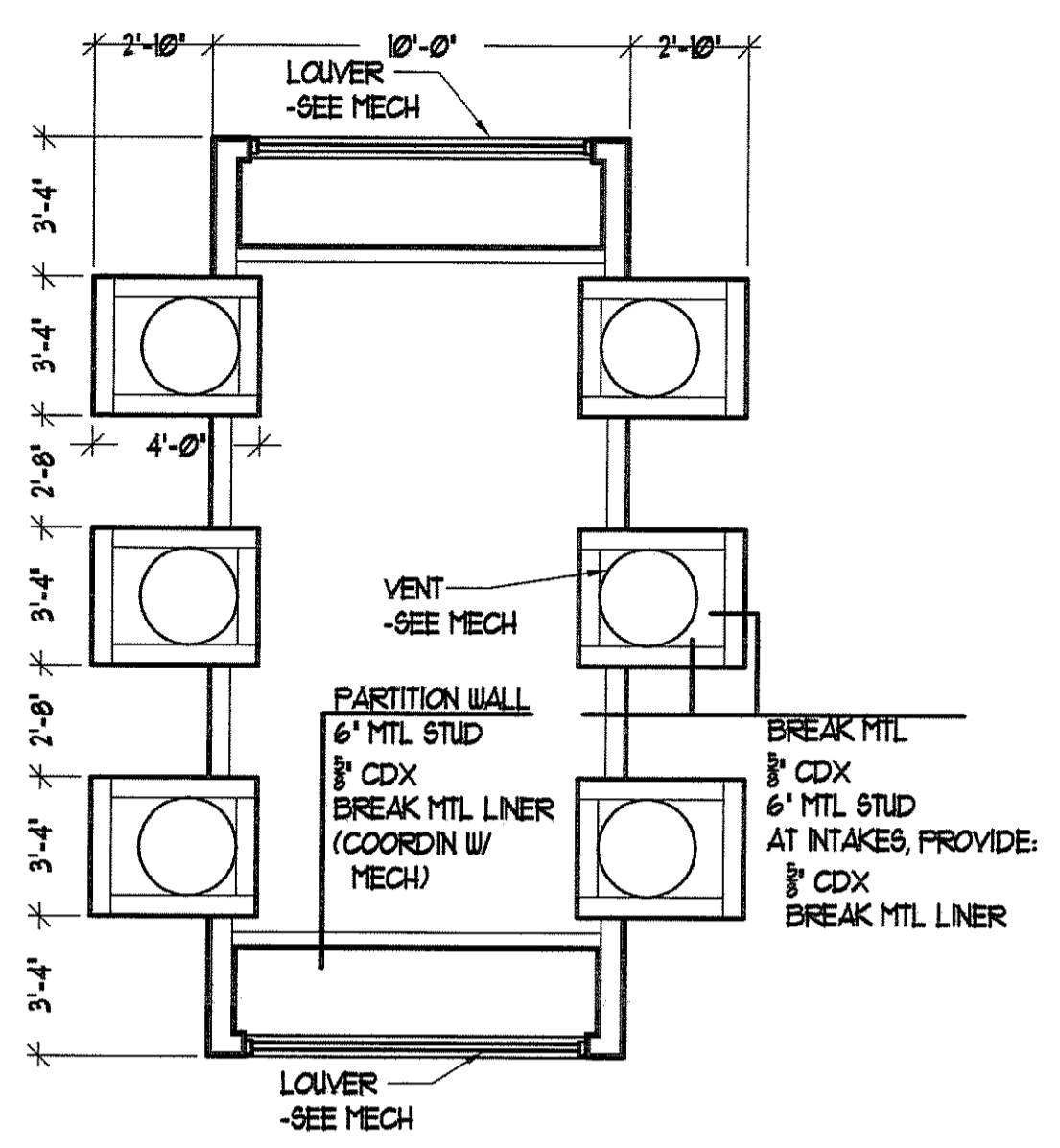
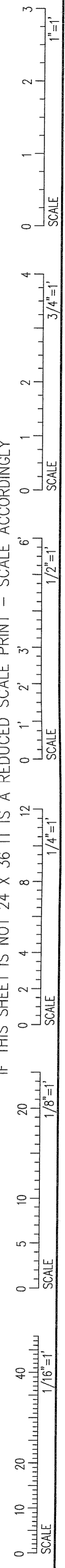
COLLEGE OF PHARMACY

776 STEVENS AVENUE, PORTLAND, ME

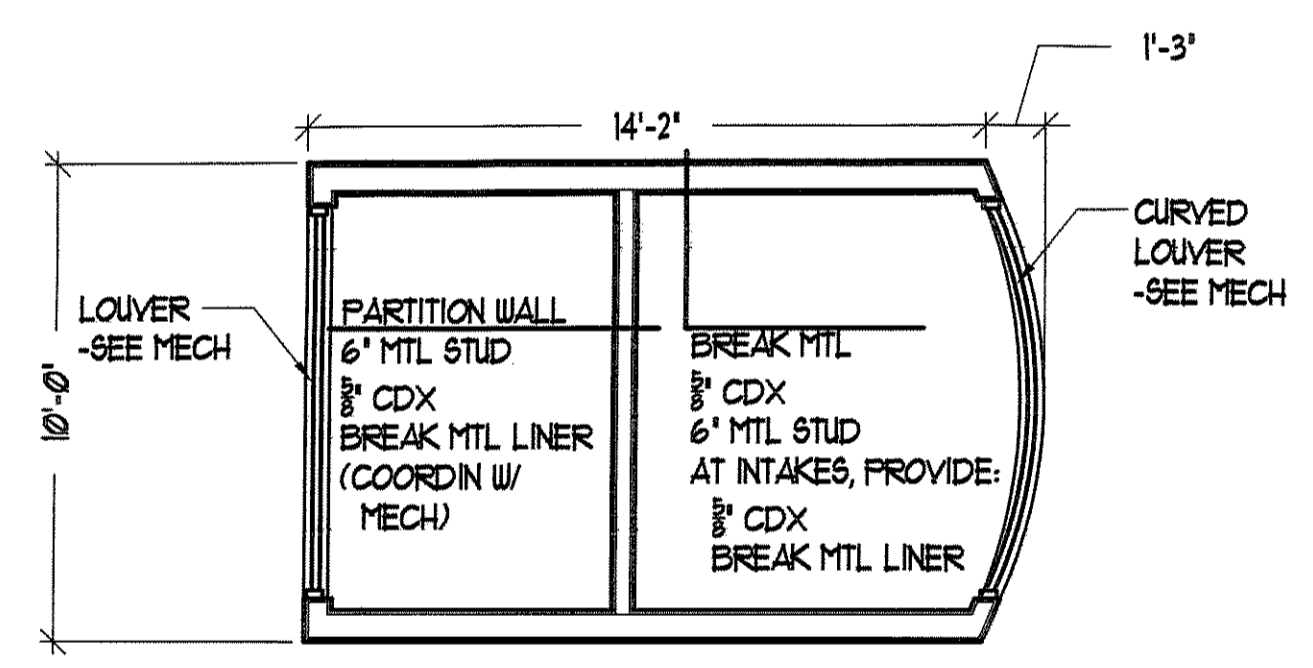
DATE	DESCRIPTION
	BID SET
Date issued	02/08/08
Project Number	06506

SHEET NAME	
<b>ROOF PLAN &amp; DETAILS</b>	
Drawn By	EC, AM, BK
Checked By	LAS
<b>A1.6</b>	

IF THIS SHEET IS NOT 24 X 36 IT IS A REDUCED SCALE PRINT - SCALE ACCORDINGLY

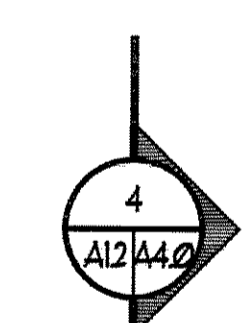
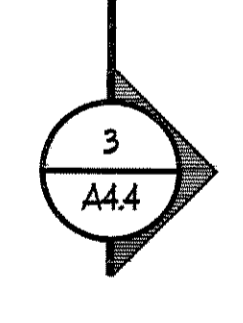
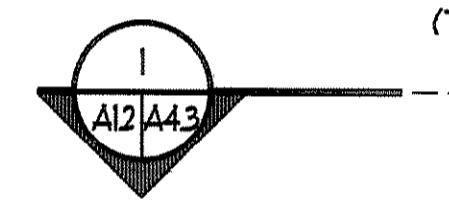
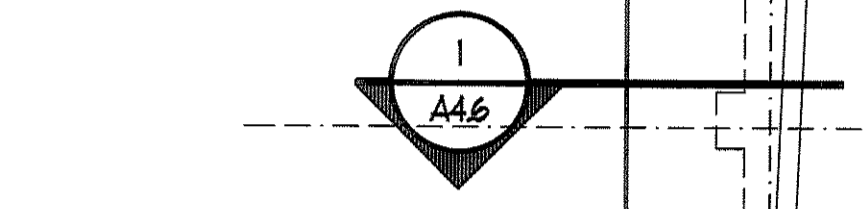


5 ENLARGED VENT PLAN 2  
SCALE: 1/4" = 1'-0"

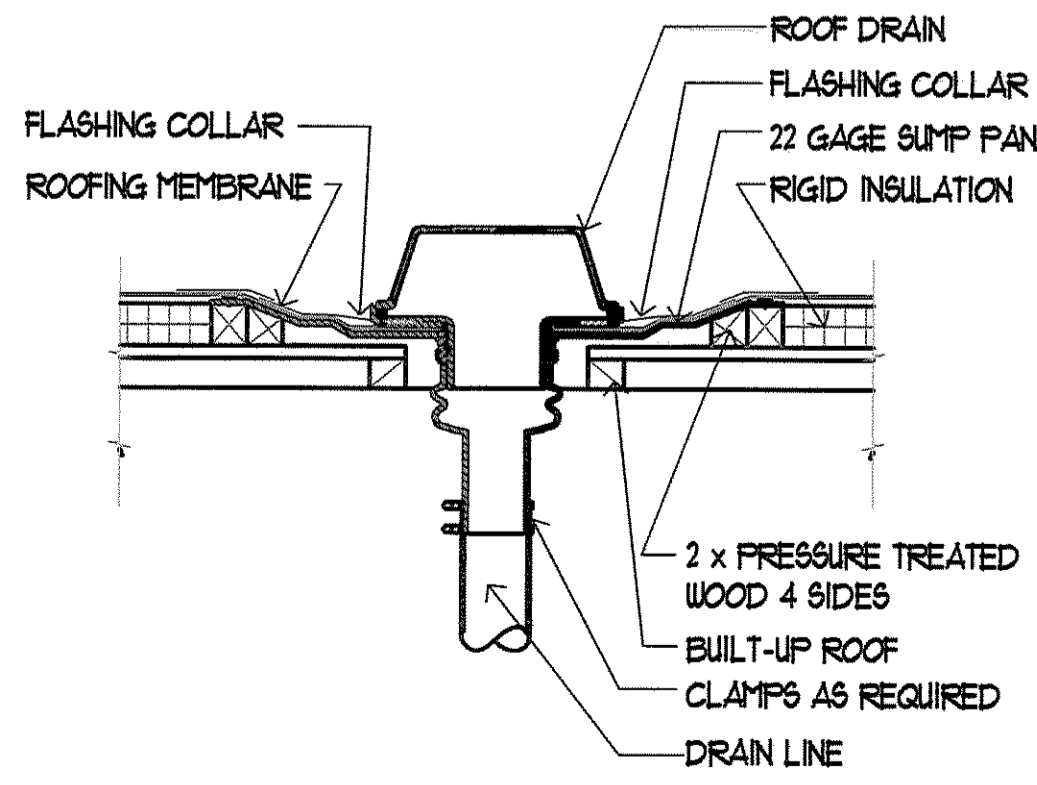


6 ENLARGED VENT PLAN 1  
SCALE: 1/4" = 1'-0"

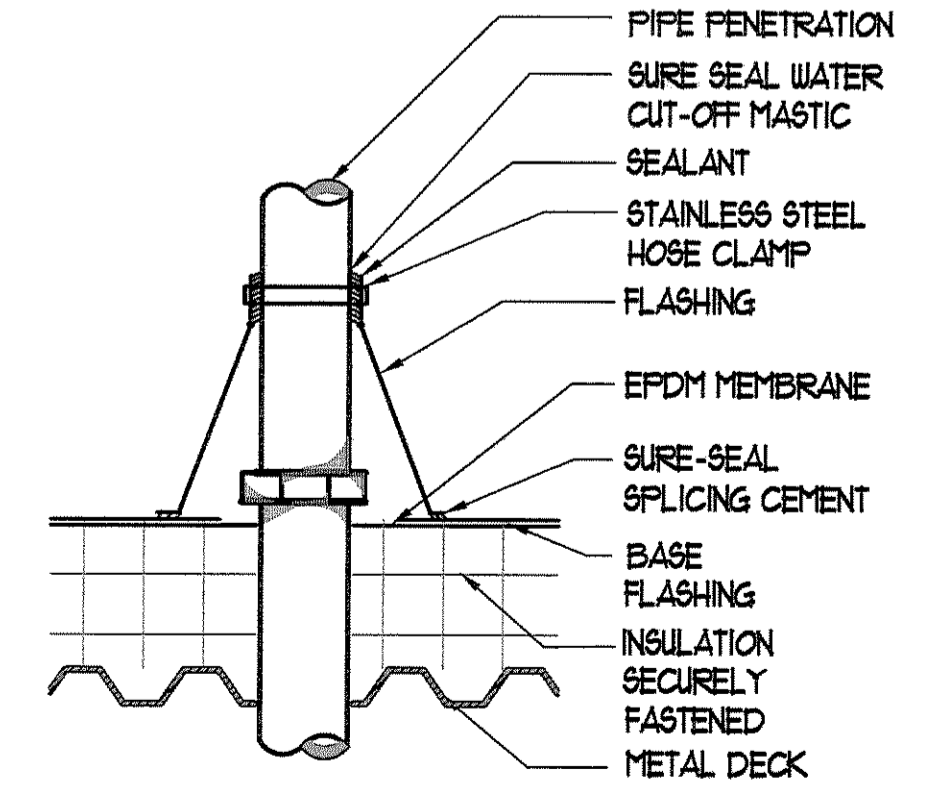
7 NOT USED  
SCALE: 1/4" = 1'-0"



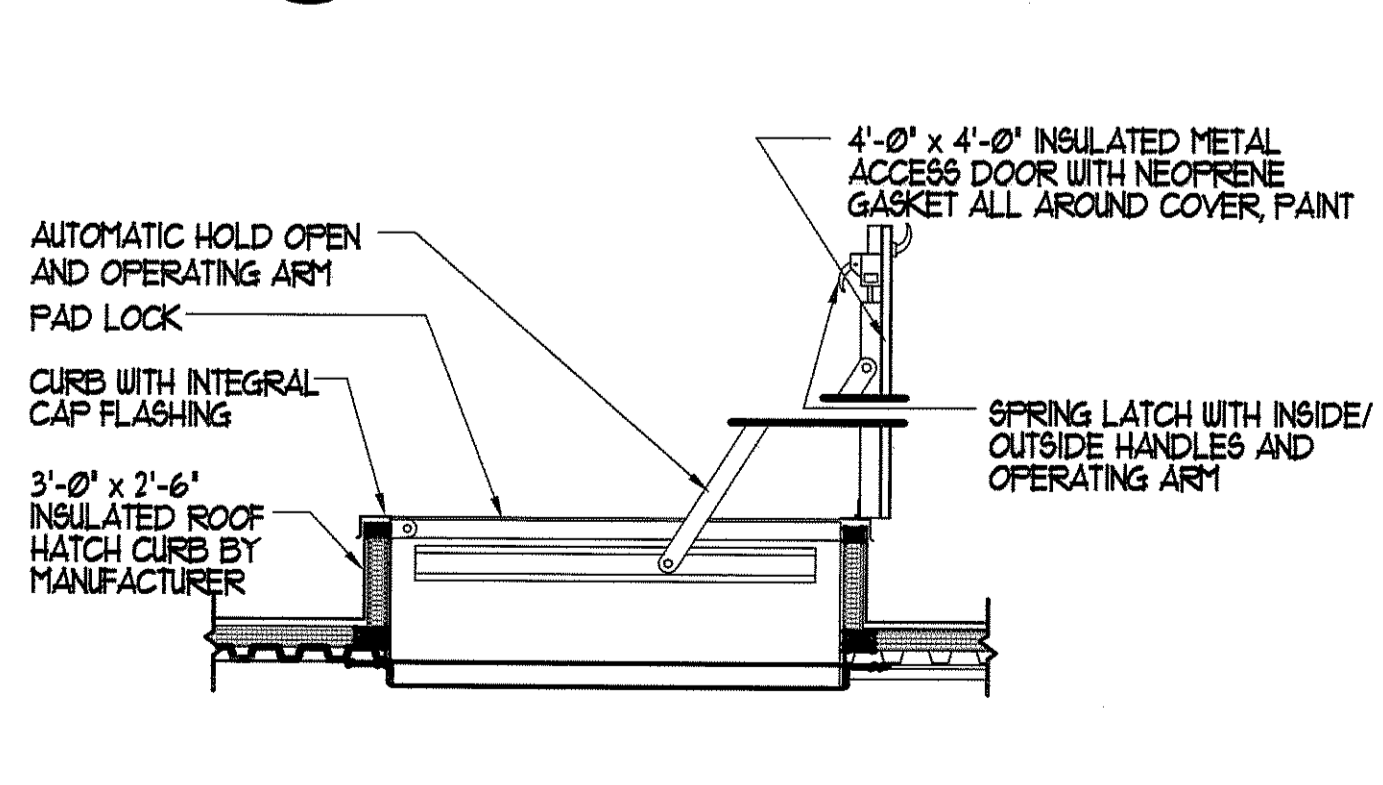
ROOF PLAN  
SCALE: 1/8" = 1'-0"



4 ROOF DRAIN (TYP)  
SCALE: 1 1/2" = 1'-0"



3 ROOF PENETRATION (TYP)  
SCALE: 1 1/2" = 1'-0"



2 ROOF HATCH DETAIL  
SCALE: 1/2" = 1'-0"

**BID SET - NOT FOR CONSTRUCTION**

COPYRIGHT: Reuse or reproduction of the contents of this document is not permitted without written permission of PORT CITY ARCHITECTURE PA