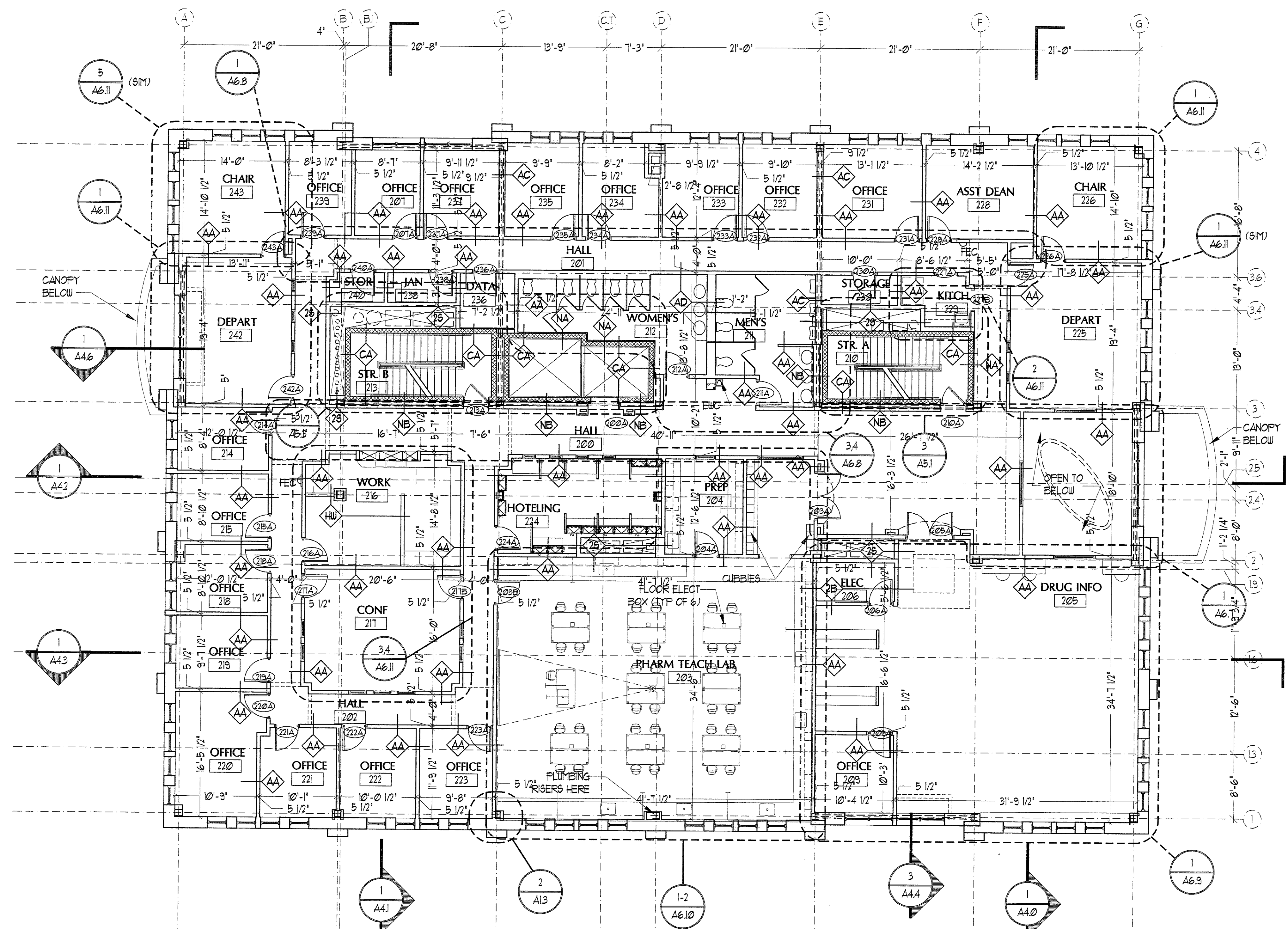
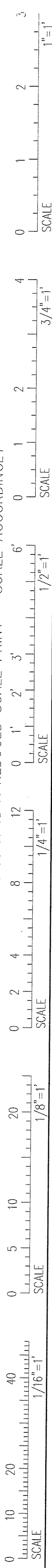


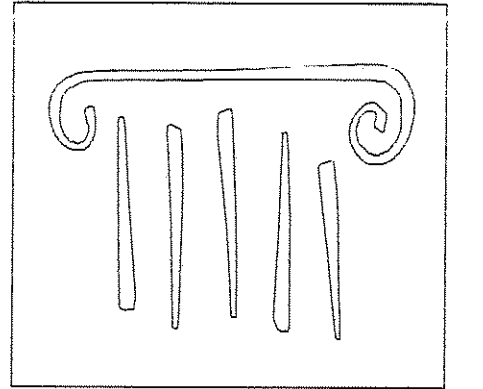
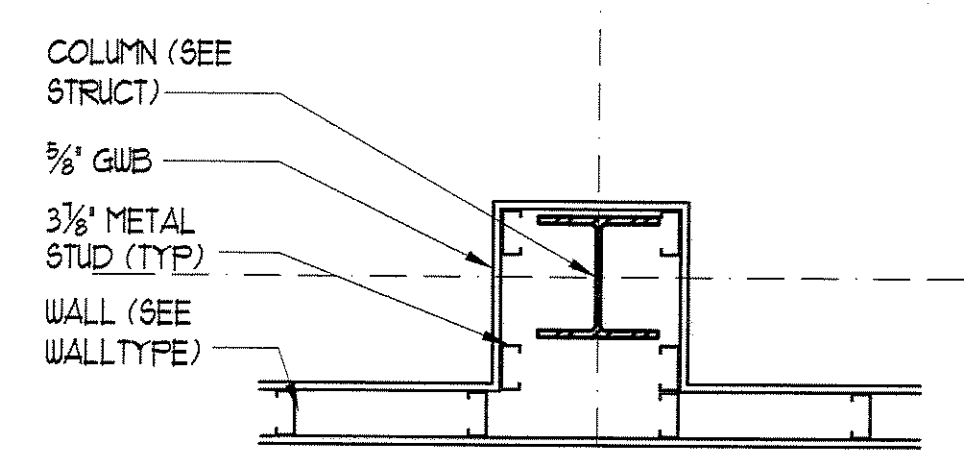
IF THIS SHEET IS NOT 24 X 36 IT IS A REDUCED SCALE PRINT - SCALE ACCORDINGLY



SECOND FLOOR PLAN
SCALE: 1/8" = 1'-0"

TYPICAL WINDOW LAYOUT
SCALE: 1/8" = 1'-0"

TYPICAL COLUMN DETAIL
SCALE: 1/8" = 1'-0"



PORT CITY ARCHITECTURE

65 NEWBURY STREET
PORTLAND, ME 04101
207.761.9000
fax: 207.761.2010
lita@portcityarch.com

JACOBS CONSULTANCY
GPR Laboratory Planning Practice

VANZELM ENGINEERS
VANZELM HEYWOOD & SHADFORD, INC.

BECKER
Structural engineers, inc.

SYTDesign CONSULTANTS
CIVIL ENGINEERING & LANDSCAPE ARCHITECTURE

ALLIED/COOK CONSTRUCTION

Favreau
MECHANICAL

Titan Mechanical
HVAC Build Engineering - Mechanical Contracting

UNIVERSITY OF NEW ENGLAND

COLLEGE OF PHARMACY

716 STEVENS AVENUE, PORTLAND, ME

DATE	DESCRIPTION
	BID SET
Date Issued	02/08/08
Project Number	06506

SHEET NAME
SECOND FLOOR PLAN

Drawn By
EC, AM, EK
Checked By
LAS
A1.3

BID SET - NOT FOR CONSTRUCTION