

PORT CITY ARCHITECTURE

65 NEWBURY STREET  
PORTLAND, ME 04101  
207.761.9000  
fax: 207.761.2010  
lita@portcityarch.com

JACOBS CONSULTANCY  
OPR Laboratory Planning Practice

VANZELM ENGINEERS  
VANZELM BEYWOOD & SEAFORD, INC.

BECKER structural engineers, inc.

SYTDesign CONSULTANTS  
CIVIL ENGINEERING & LANDSCAPE ARCHITECTURE

ALLIED/COOK CONSTRUCTION

Favreau ELECTRIC

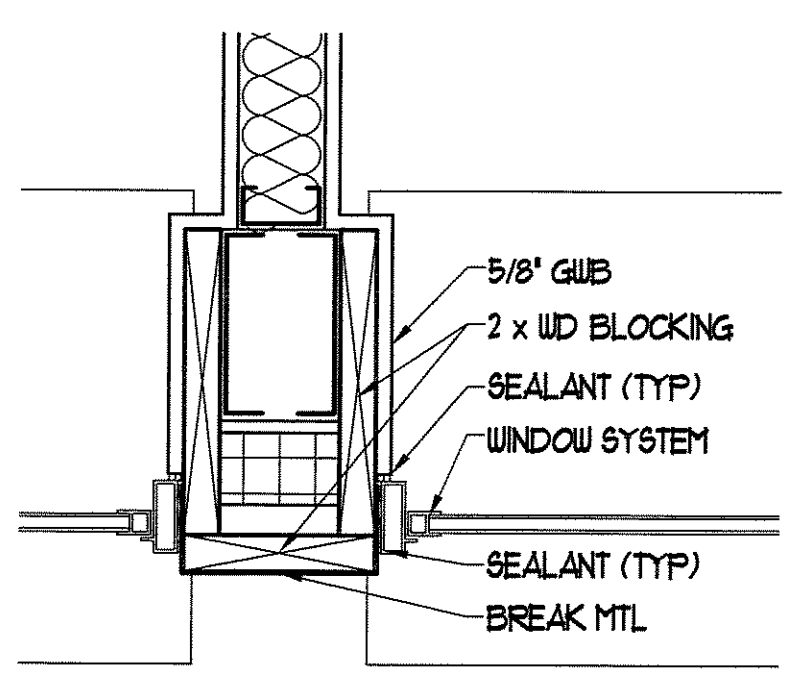
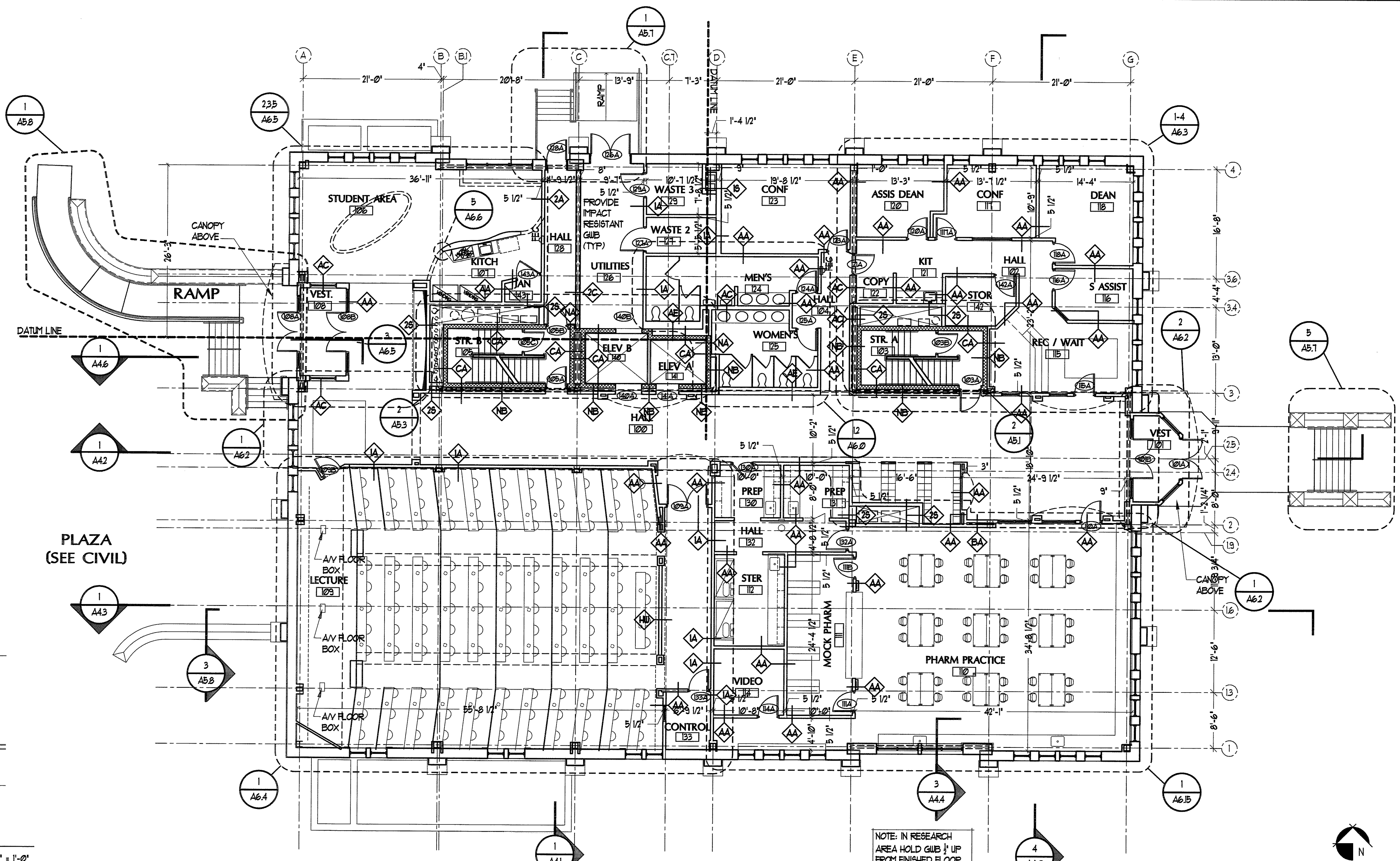
Titan Mechanical

UNIVERSITY OF NEW ENGLAND

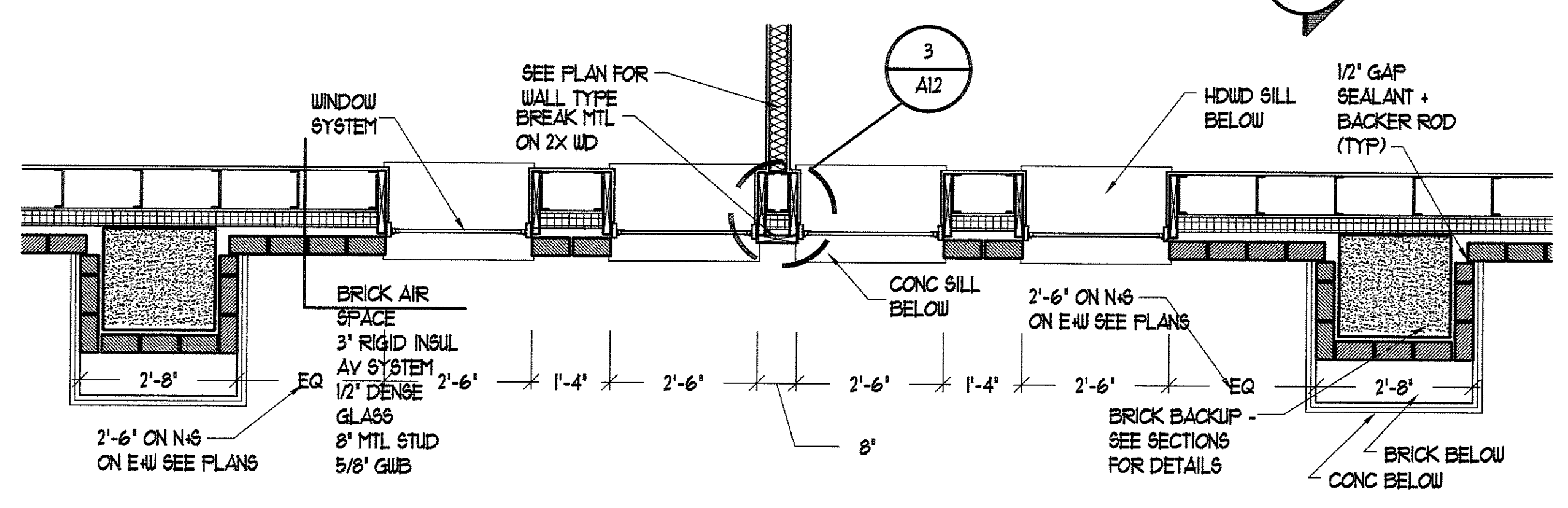
COLLEGE OF PHARMACY

716 STEVENS AVENUE, PORTLAND, ME

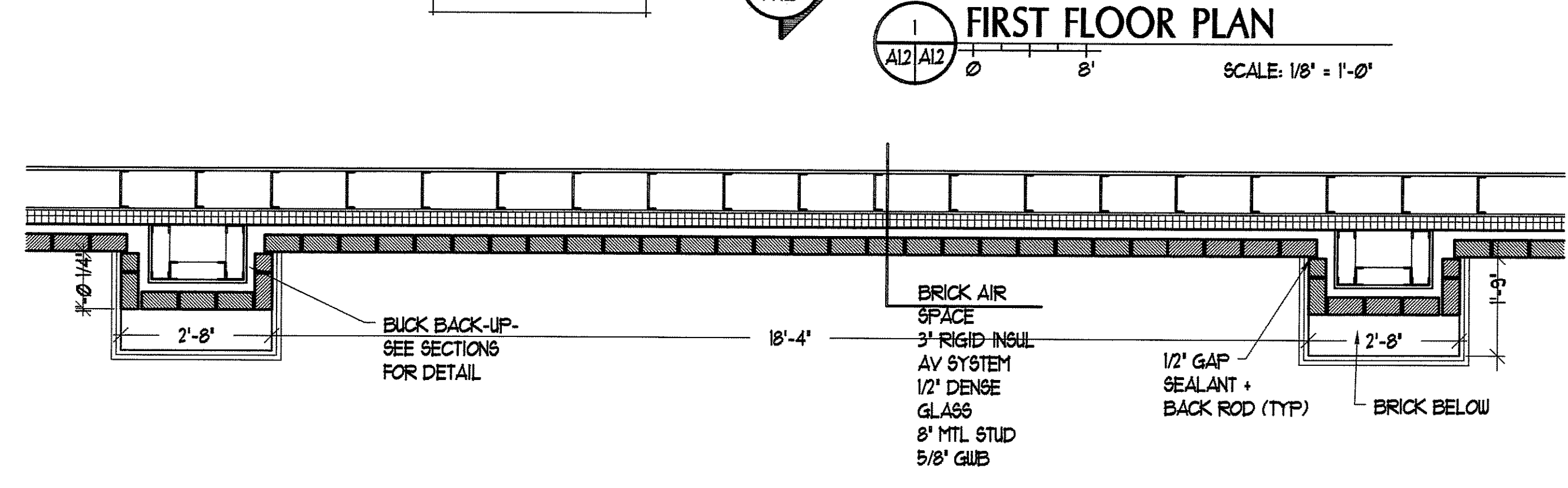
IF THIS SHEET IS NOT 24 X 36 IT IS A REDUCED SCALE PRINT - SCALE ACCORDINGLY



3 WINDOW DETAIL  
SCALE: 1/2\"/>



3 TYPICAL WINDOW LAYOUT  
SCALE: 1/2\"/>



2 PIER DETAIL  
SCALE: 1/2\"/>

1 FIRST FLOOR PLAN  
SCALE: 1/8\"/>

NOTE: IN RESEARCH AREA HOLD GUB 1/2\"/>

DATE	DESCRIPTION
	BID SET
Date Issued	02/08/08
Project Number	06506
SHEET NAME	
<b>FIRST FLOOR PLAN</b>	
Drawn By	EG, AH, EK
Checked By	LAS

A1.2

BID SET - NOT FOR CONSTRUCTION

COPYRIGHT: Reuse or reproduction of the contents of this document is not permitted without written permission of PORT CITY ARCHITECTURE PA