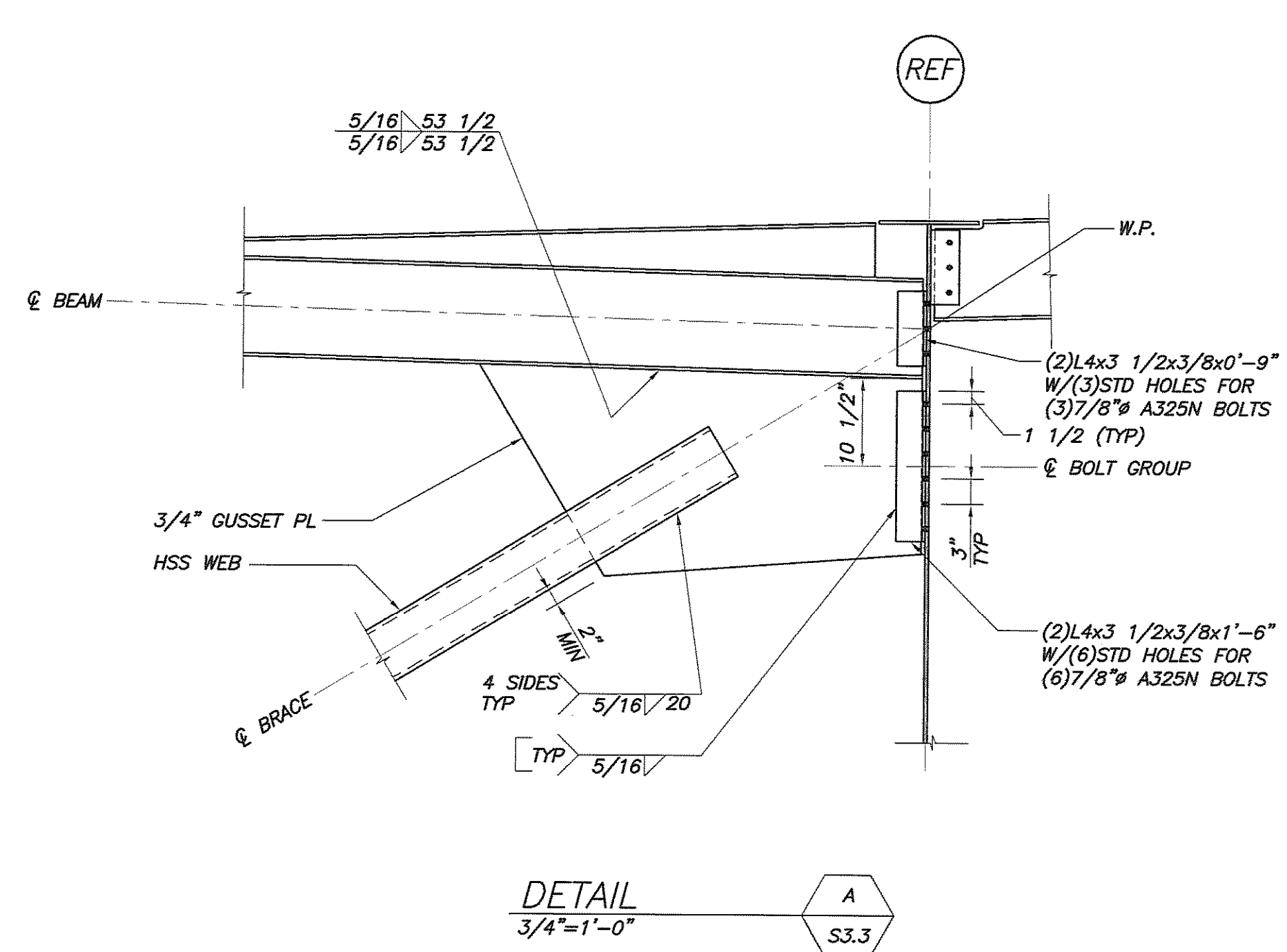
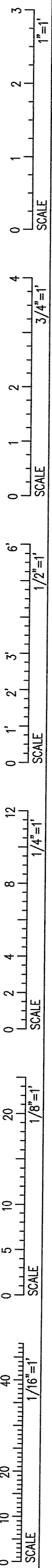
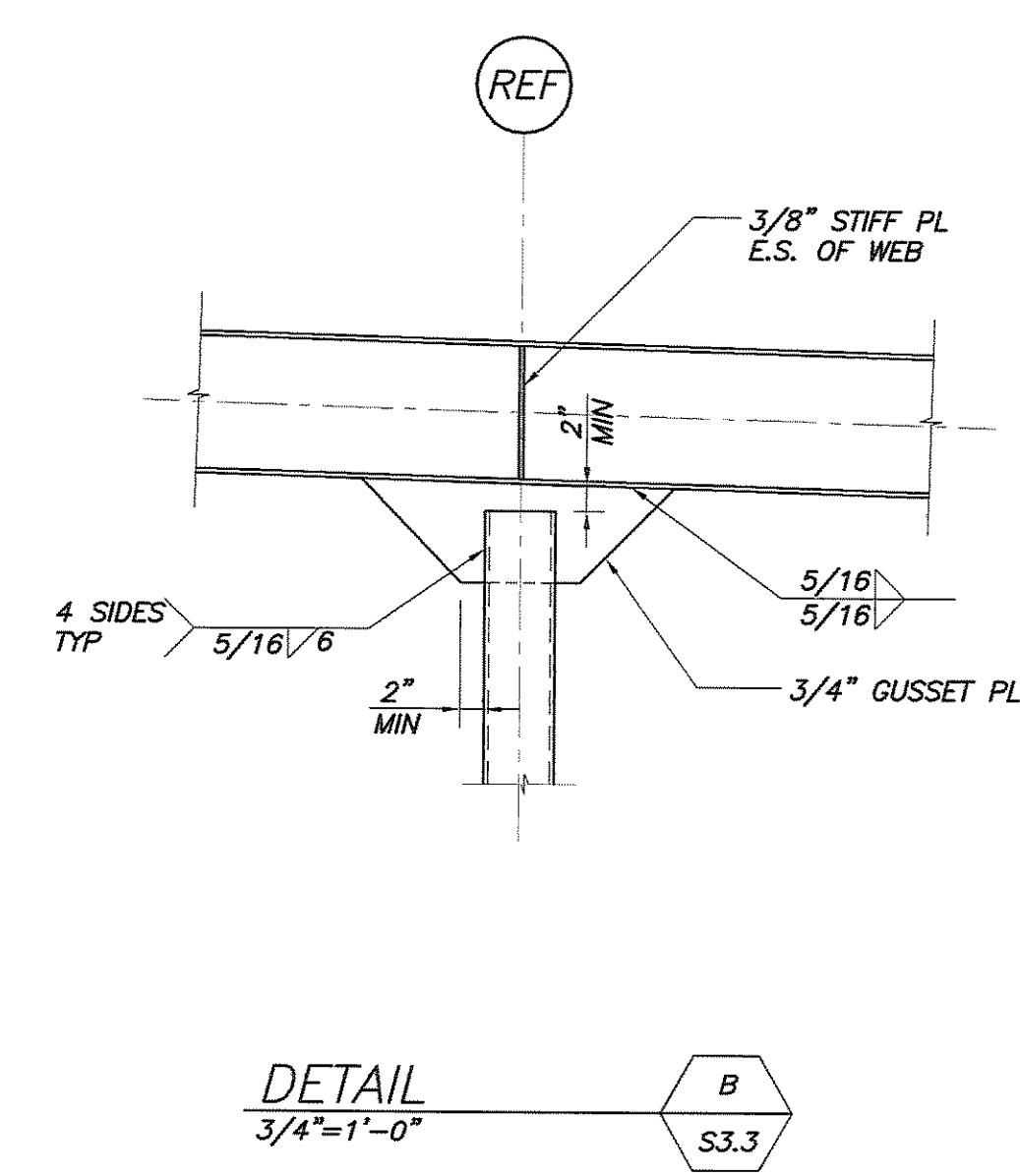


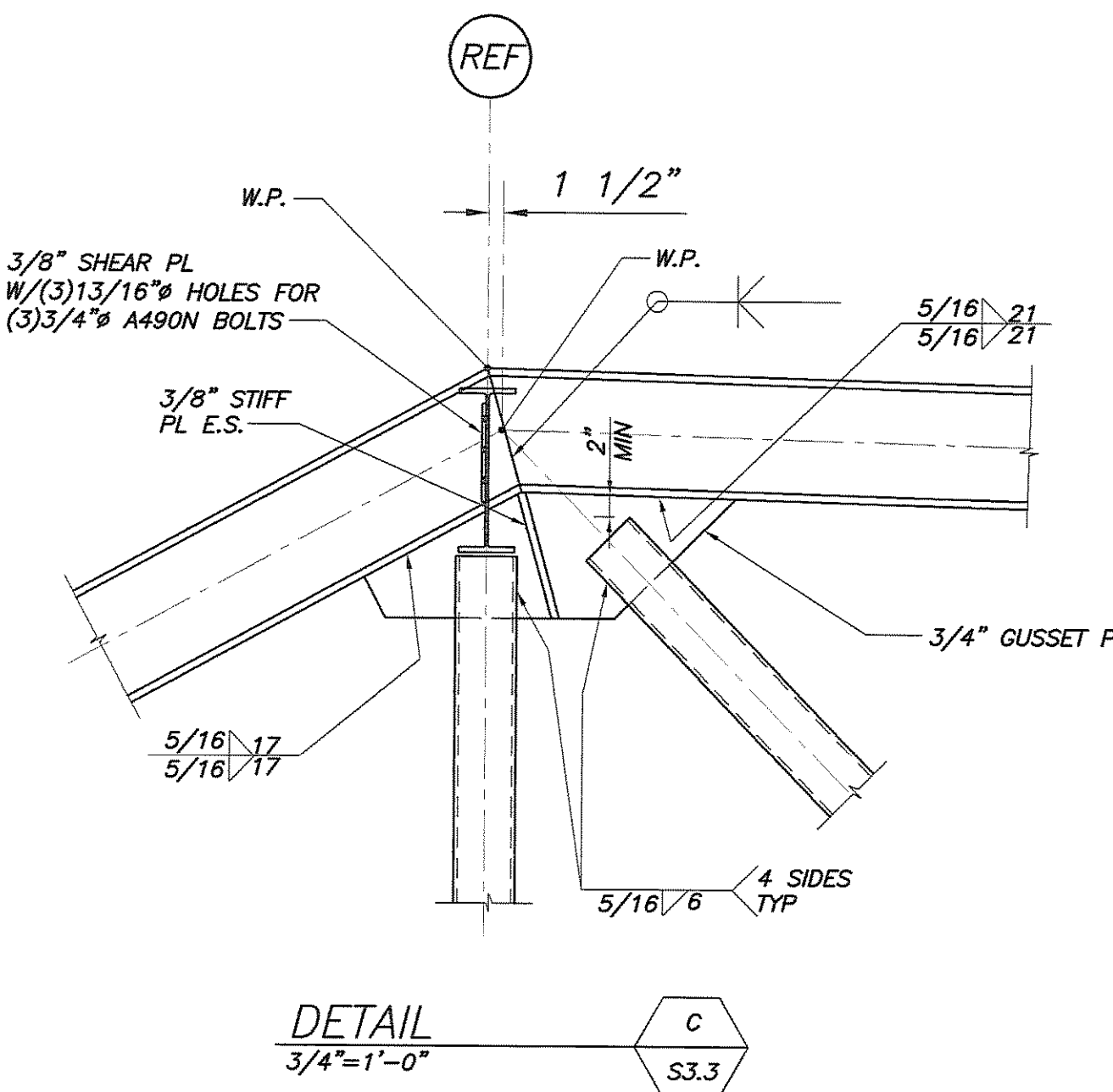
IF THIS SHEET IS NOT 24 X 36 IT IS A REDUCED SCALE PRINT - SCALE ACCORDINGLY



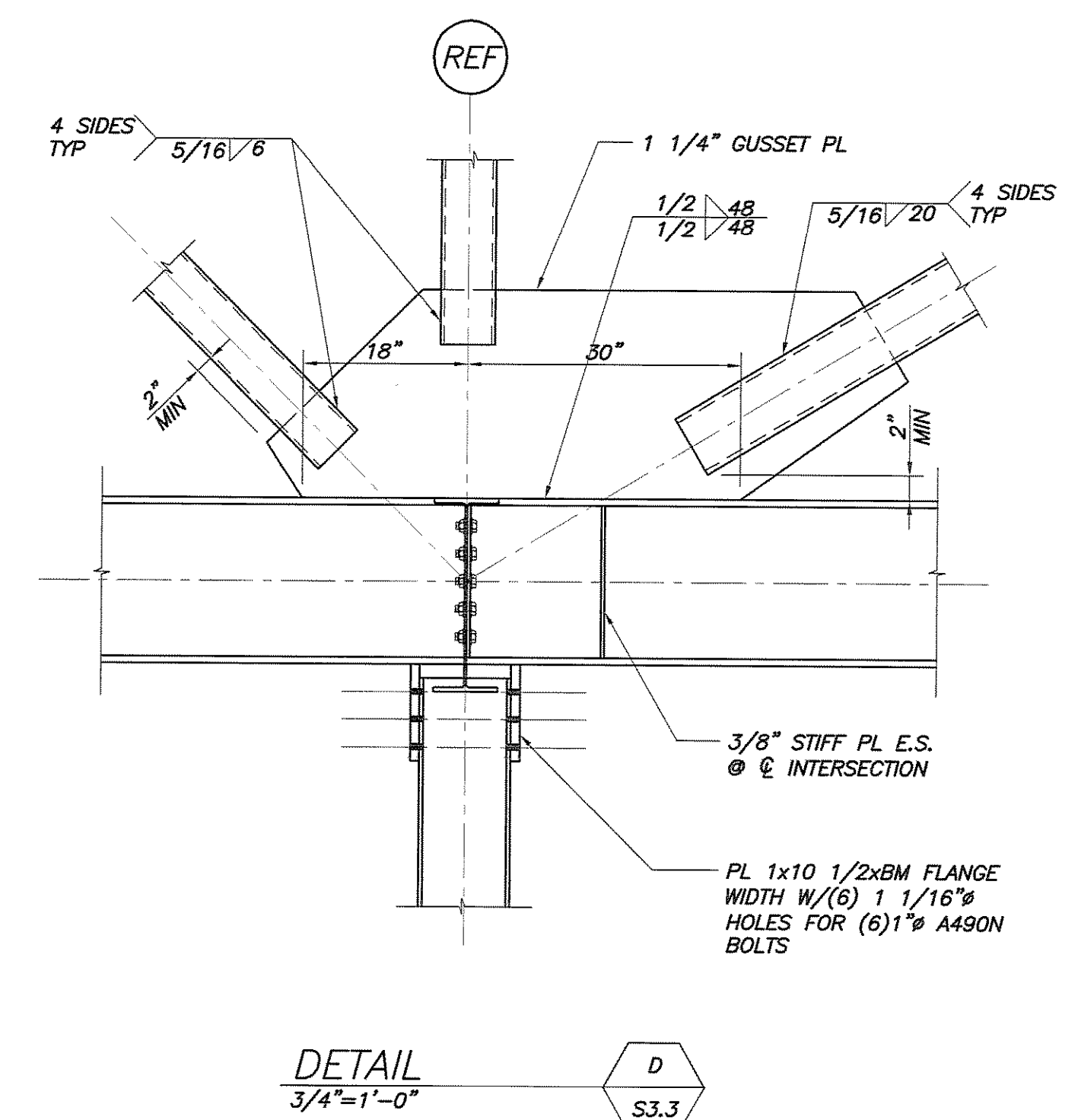
DETAIL A
3/4"=1'-0"



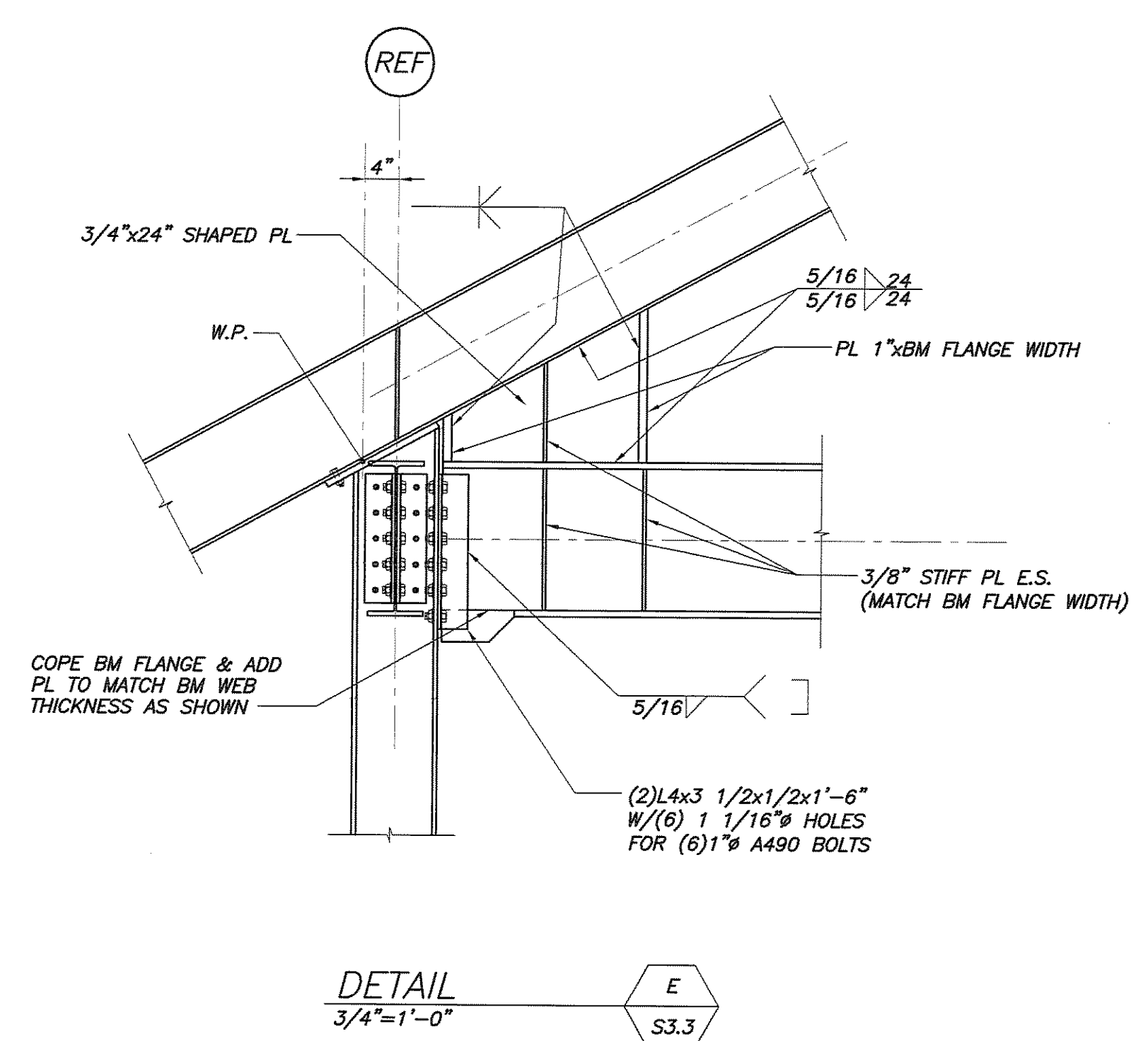
DETAIL B
3/4"=1'-0"



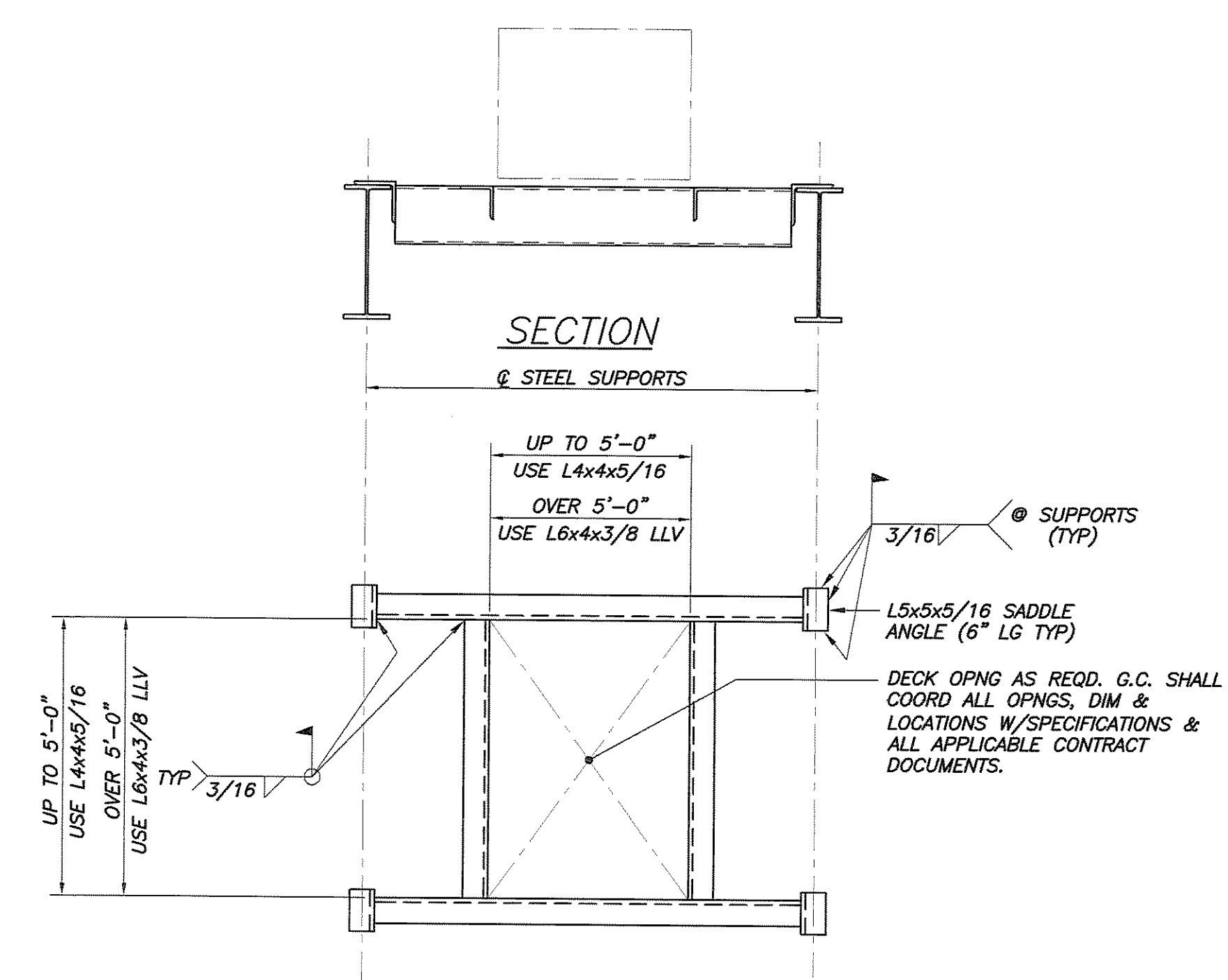
DETAIL C
3/4"=1'-0"



DETAIL D
3/4"=1'-0"

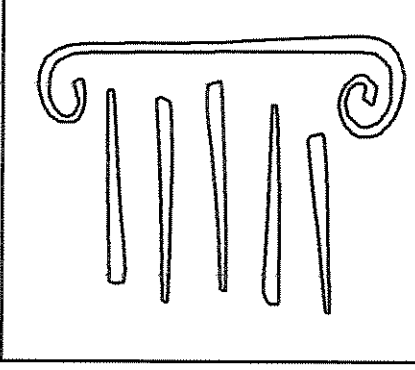


DETAIL E
3/4"=1'-0"



PLAN OF TYP OPENING IN ROOF DECK
N.T.S.

NOTE:
DETAIL TYPICAL AT ROOF DRAINS, EXHAUST FANS AND OTHER MECH AND HVAC EQUIP IF OPENING IS LARGER THAN 12" OR CUTS MORE THAN (1) DECK RIB. FOR OPENINGS LESS THAN 12", REINF OPNG W/16GA MIN PL MIN PL LENGTH SHALL BE "D"+4". EXTEND AS REQD FOR 2" MIN BRG ON DECK RIB.



PORT CITY ARCHITECTURE

65 NEWBURY STREET
PORTLAND, ME 04101
207.761.9000
fax: 207.761.2010
lita@portcityarch.com

JACOBS CONSULTANCY
OPR Laboratory Planning Practices

VANZELM ENGINEERS
VANZELM HEYWOOD & SHADFORD, INC.

BECKER

SYTDesign CONSULTANTS
CIVIL ENGINEERING & LANDSCAPE ARCHITECTURE

ALLIED/COOK CONSTRUCTION

Faireau

Titan Mechanical, Inc.
Design-Build Engineering - Mechanical Contracting

UNIVERSITY OF NEW ENGLAND

COLLEGE OF PHARMACY

716 STEVENS AVENUE, PORTLAND, ME

#	DATE	DESCRIPTION
		BID SET
	02/08/08	Date Issued
	06506	Project Number

SHEET NAME
FRAMING SECTIONS & DETAILS

Drawn By
APP
Checked By
DSB

S3.5

BID SET - NOT FOR CONSTRUCTION