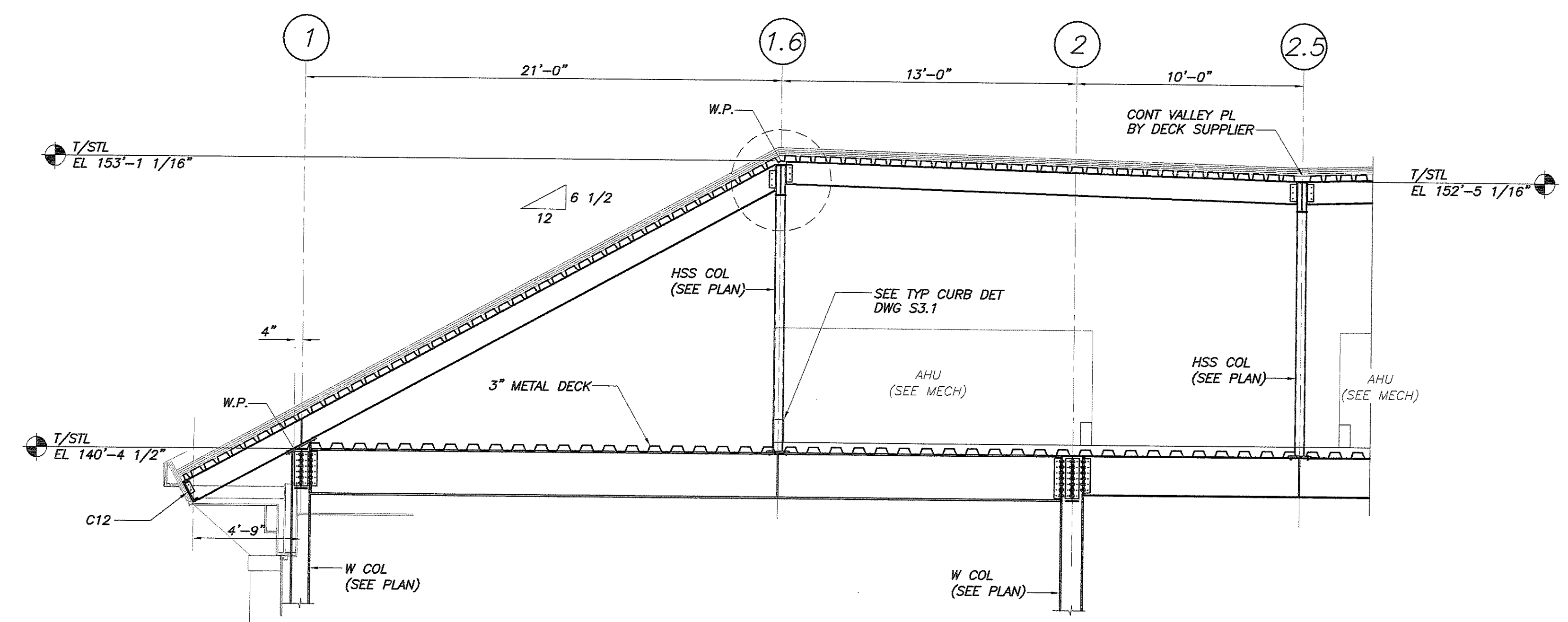
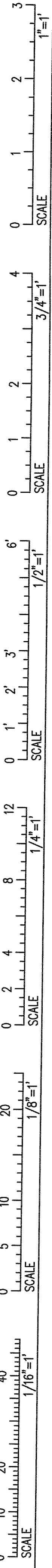
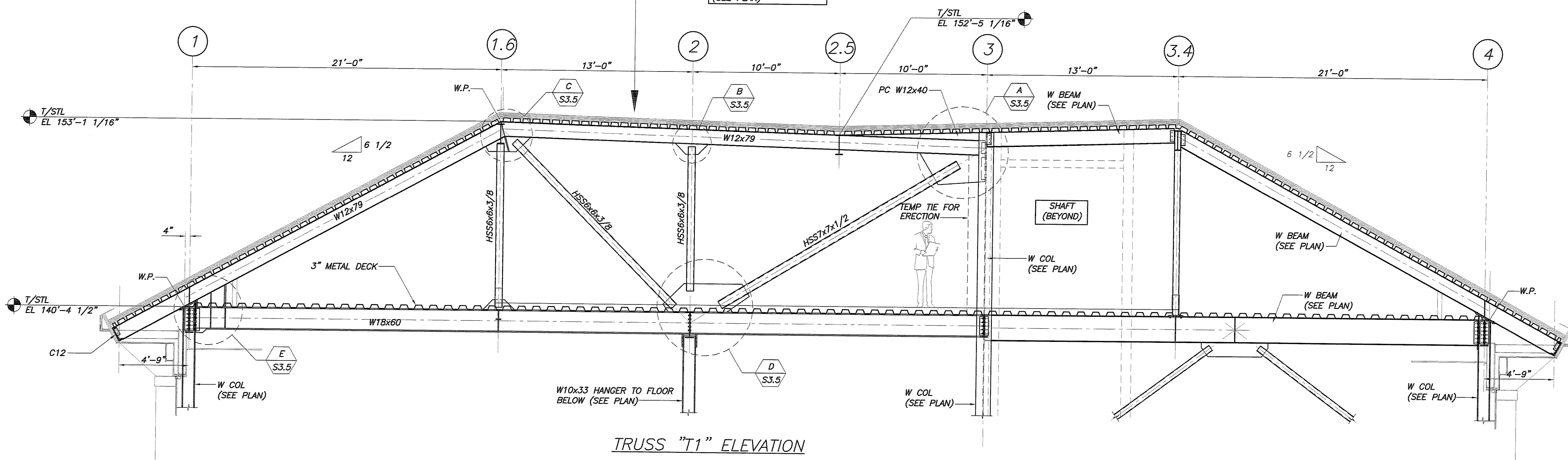


IF THIS SHEET IS NOT 24 X 36 IT IS A REDUCED SCALE PRINT - SCALE ACCORDINGLY

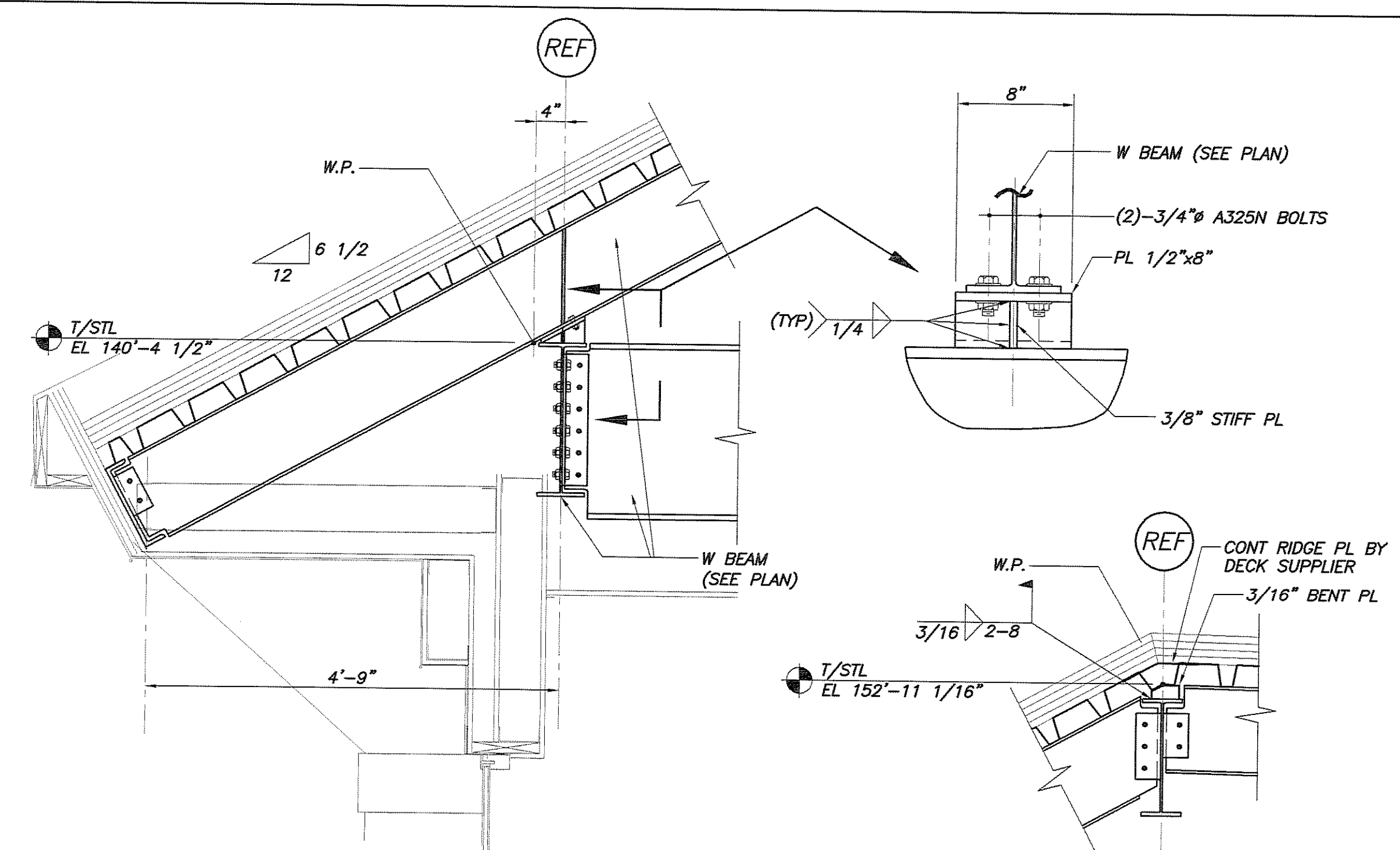


SECTION 1
1/4"=1'-0" S1.5, S1.6

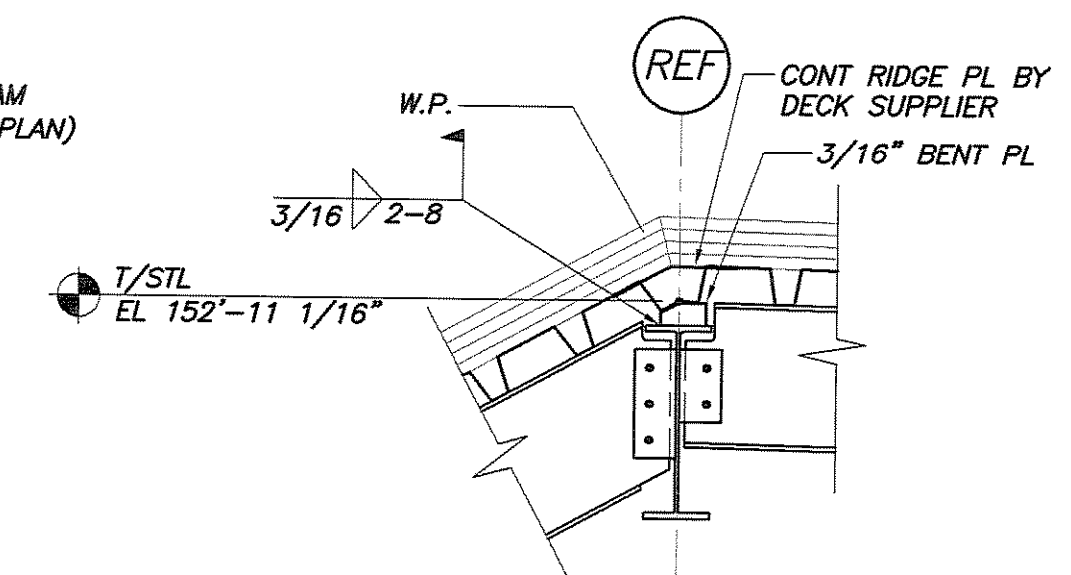
NOTE: TRUSS TOP CHORD IS LEVEL AT GRID LINE B (SEE PLAN)



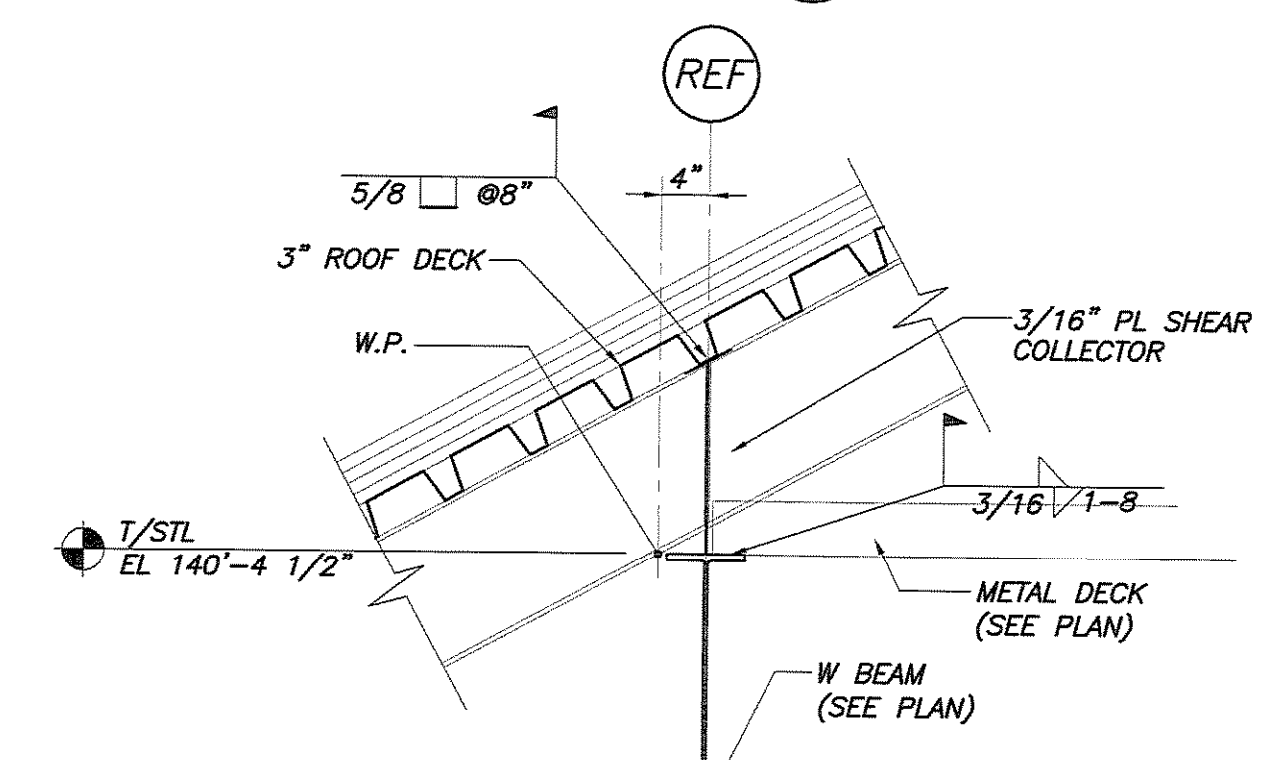
TRUSS "T1" ELEVATION SECTION 2
1/4"=1'-0" S1.5, S1.6



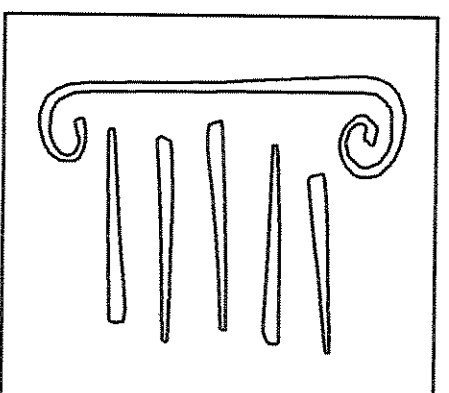
SECTION 3
3/4"=1'-0" S1.5, S1.6



SECTION 4
3/4"=1'-0" S1.5, S1.6



SECTION 5
3/4"=1'-0" S1.5, S1.6



PORT CITY ARCHITECTURE

65 NEWBURY STREET
PORTLAND, ME 04101
207.761.9000
fax: 207.761.2010
lita@portcityarch.com

JACOBS CONSULTANCY
OPR Laboratory Planning Practice

VANZELM ENGINEERS
VANZELM REYWOOD & SHADFORD, INC.

BECKER structural engineers, inc.

SYTD design CONSULTANTS
CIVIL ENGINEERING & LANDSCAPE ARCHITECTURE

ALLIED/COOK CONSTRUCTION

Favreau ELECTRIC

Titan Mechanical, Inc.
Design-Build Engineering - Mechanical Contracting

UNIVERSITY OF NEW ENGLAND

COLLEGE OF PHARMACY

716 STEVENS AVENUE, PORTLAND, ME

#	DATE	DESCRIPTION
		BID SET
	02/08/08	Date Issued
	06506	Project Number

SHEET NAME
FRAMING SECTIONS & DETAILS

Drawn By APP
Checked By DSB
S3.3

BID SET - NOT FOR CONSTRUCTION