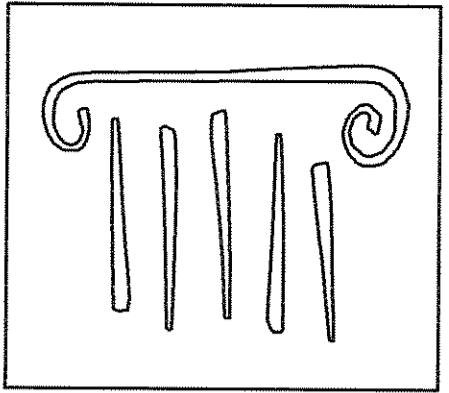
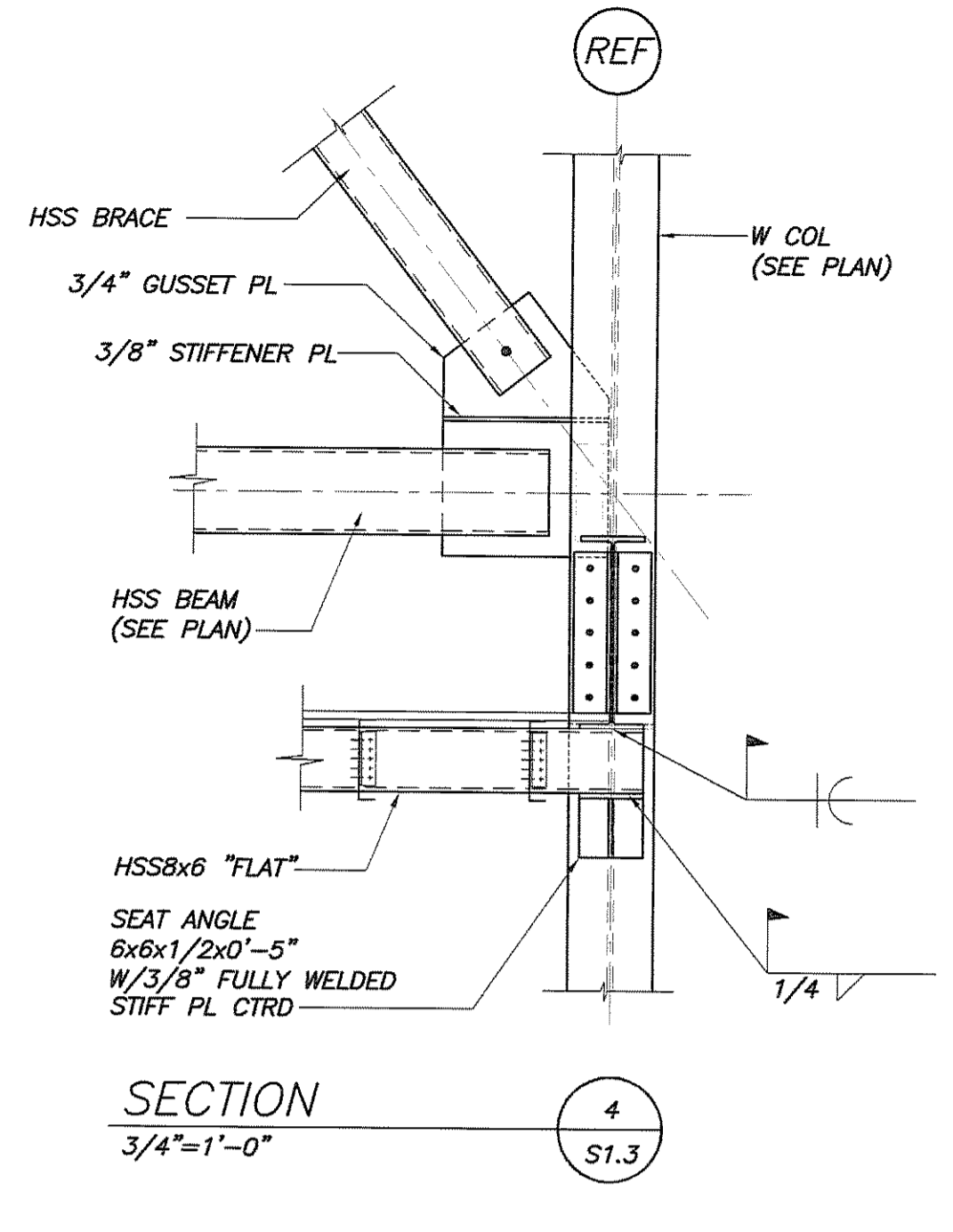
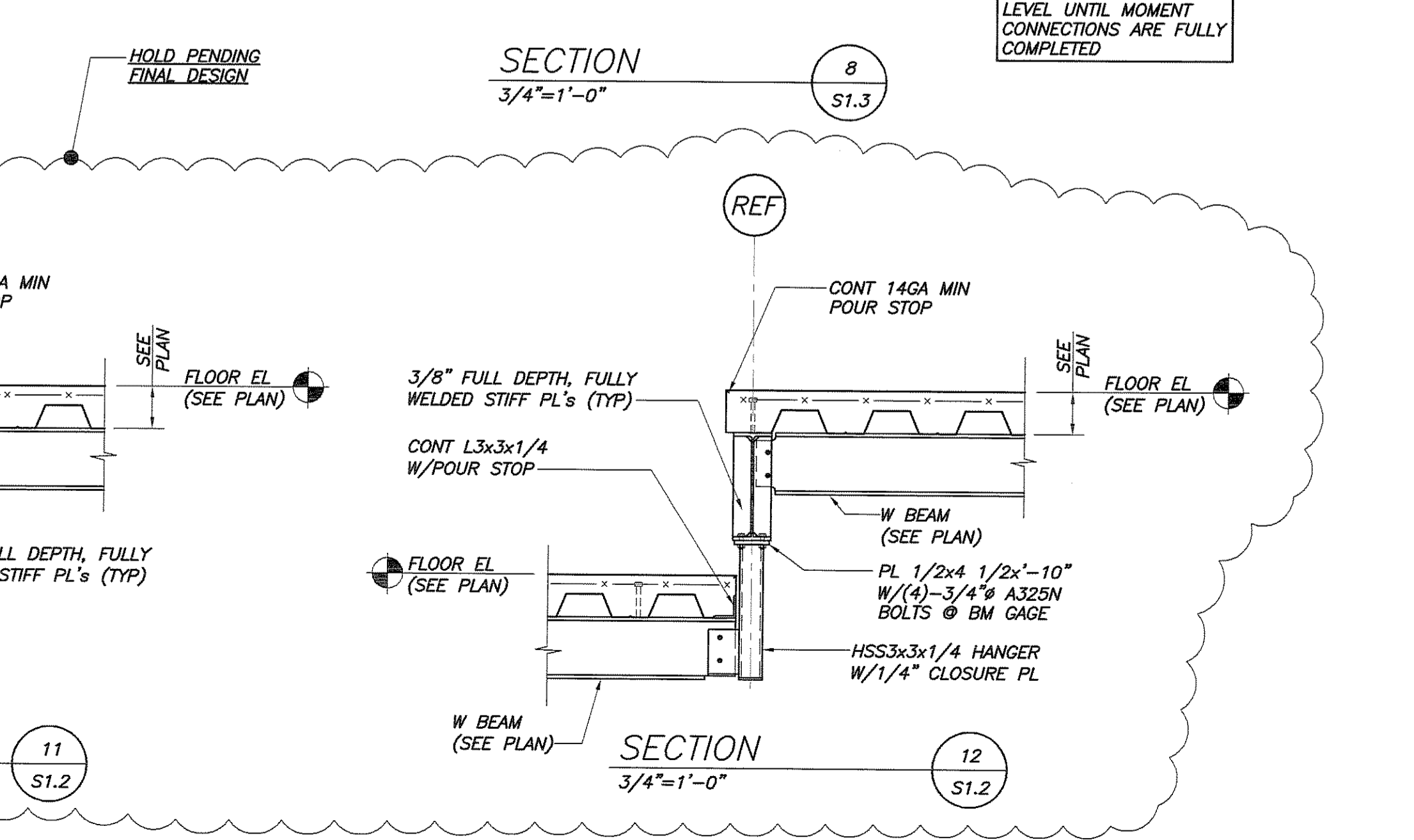
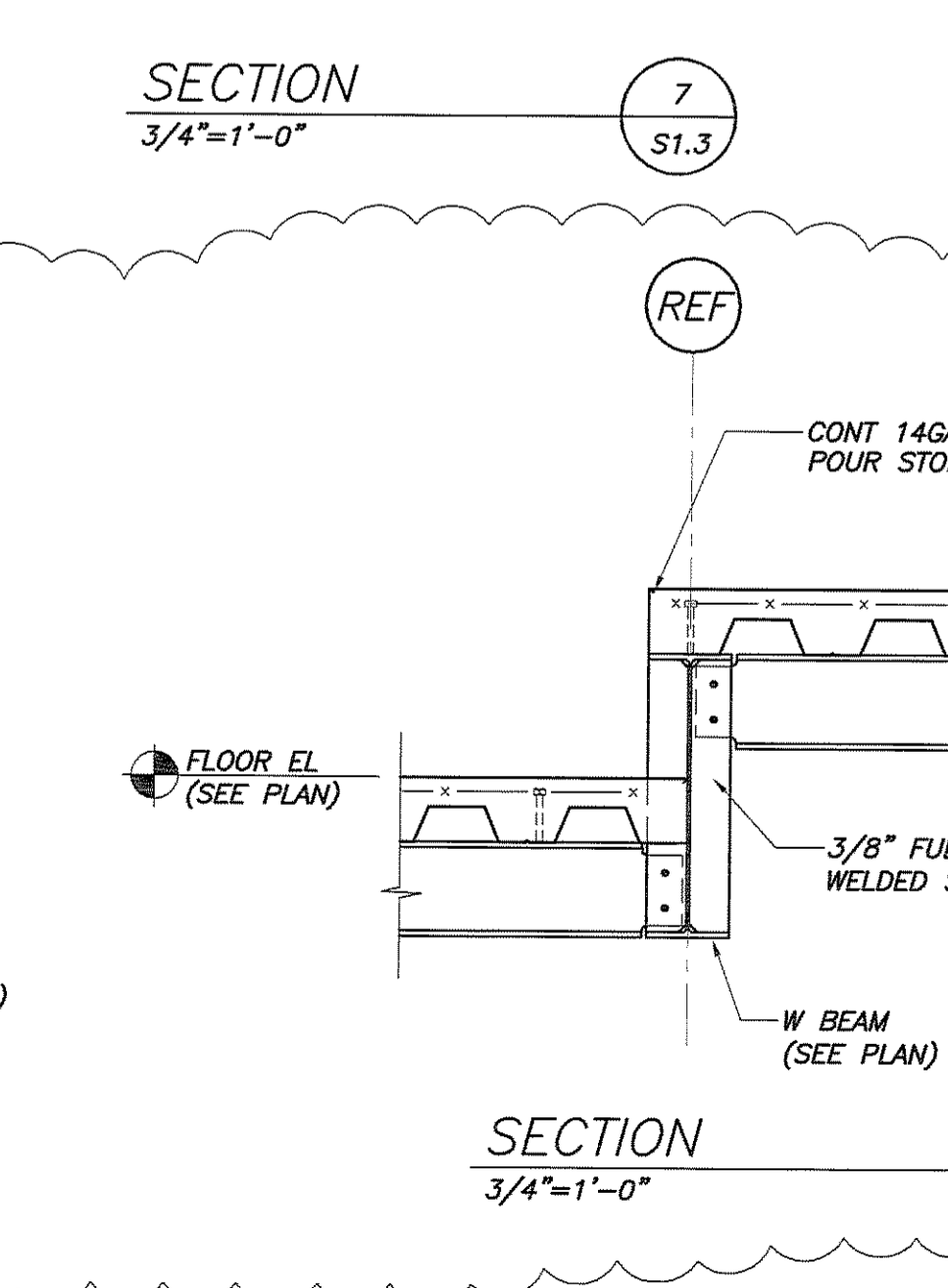
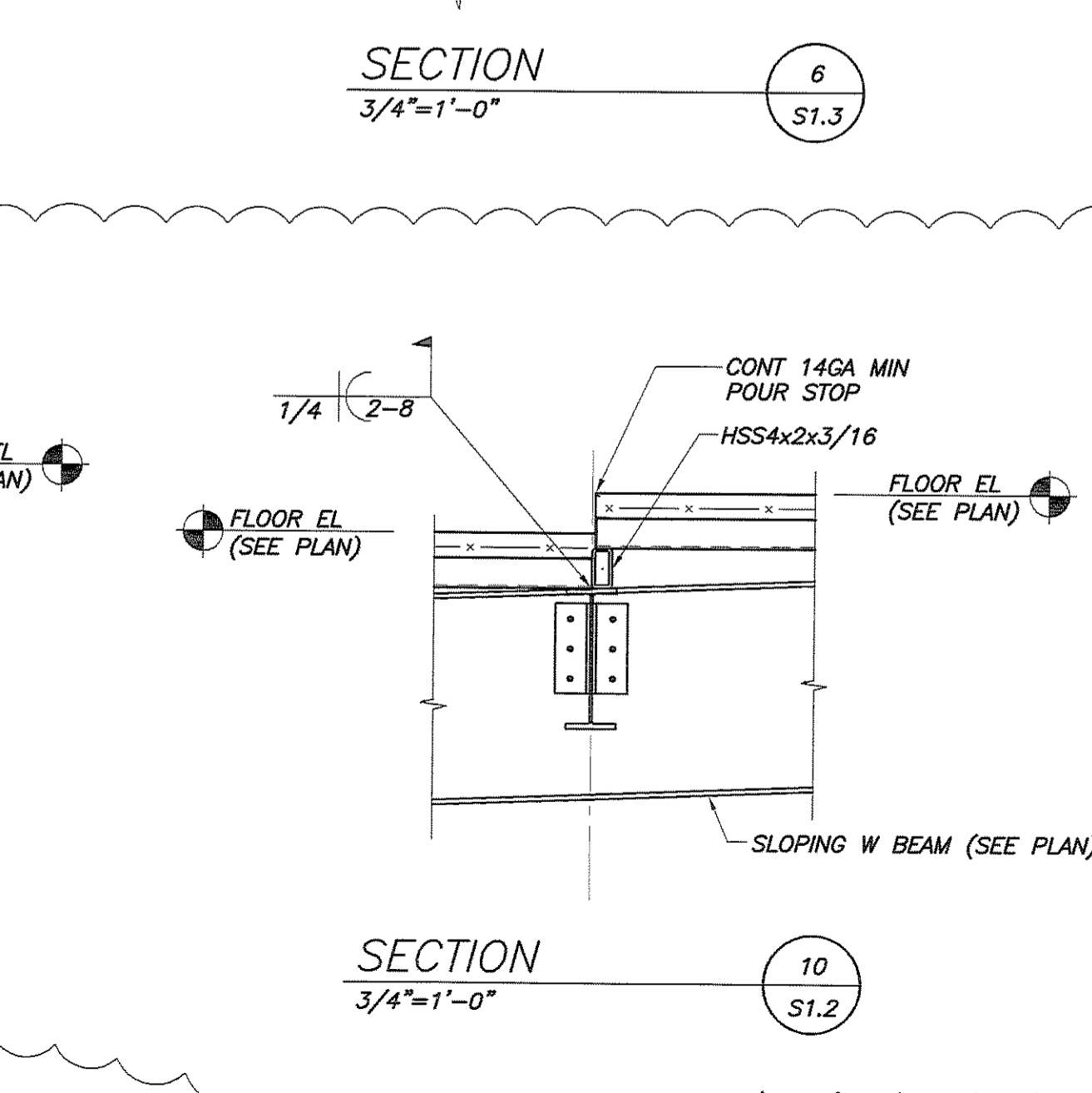
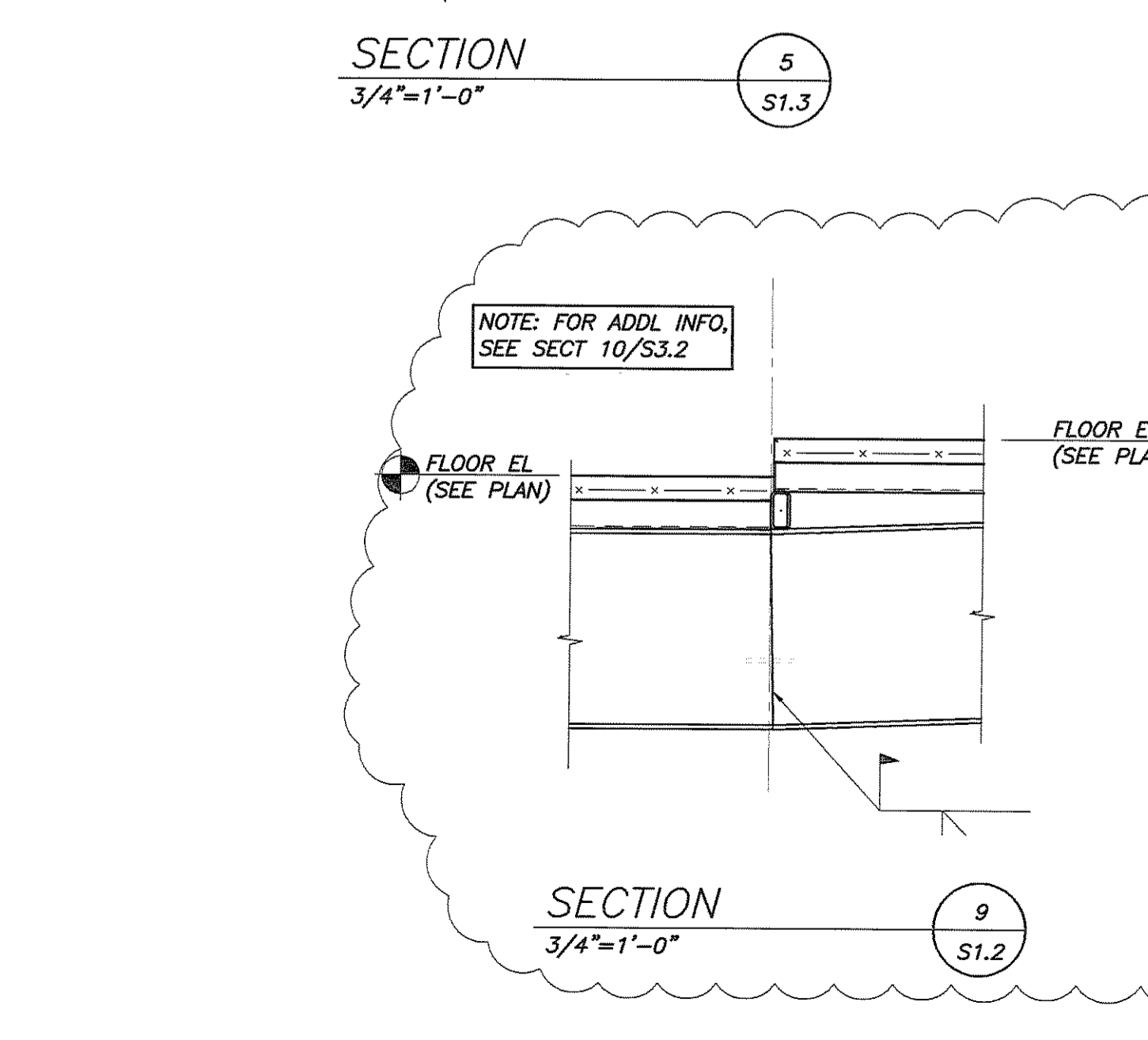
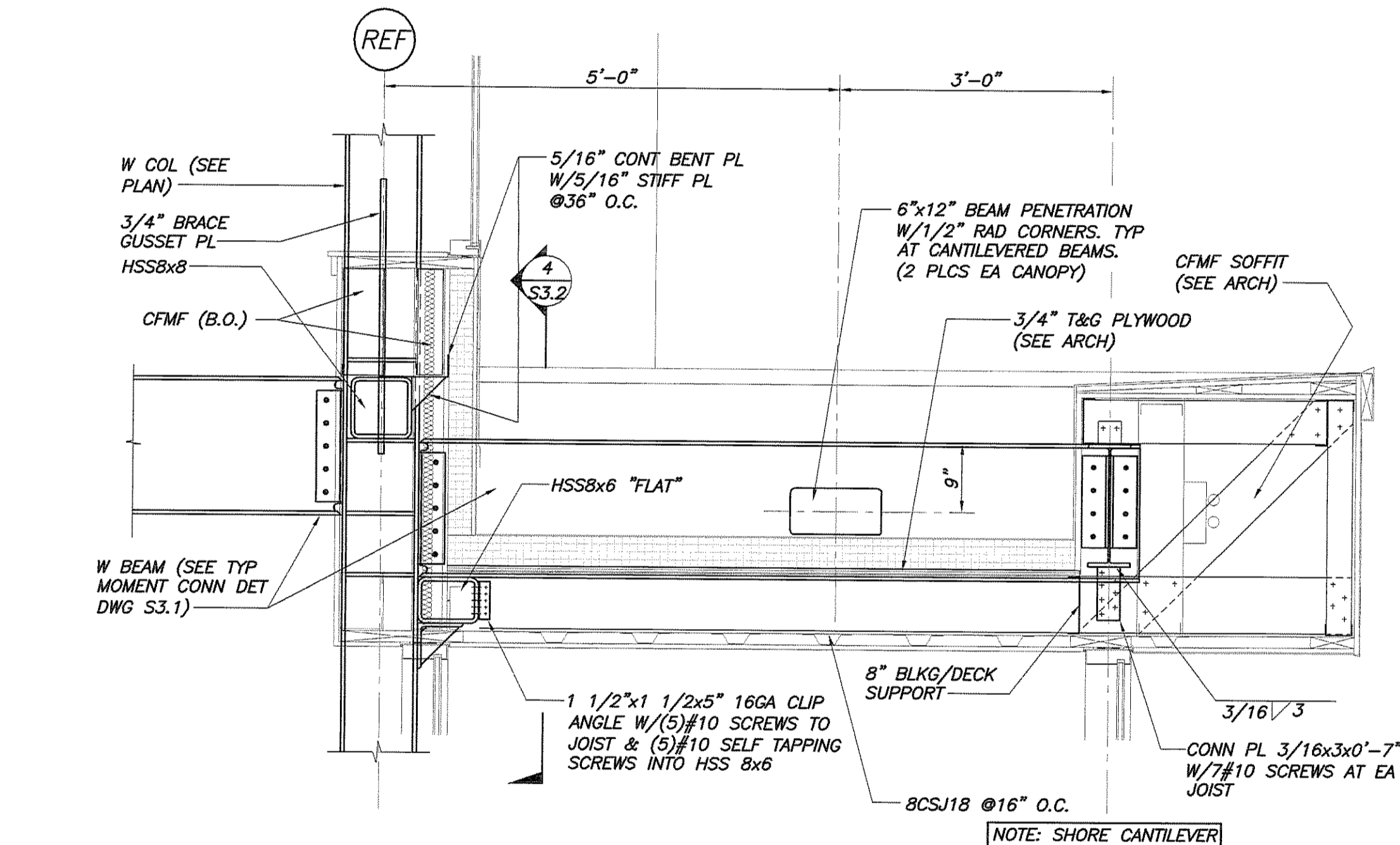
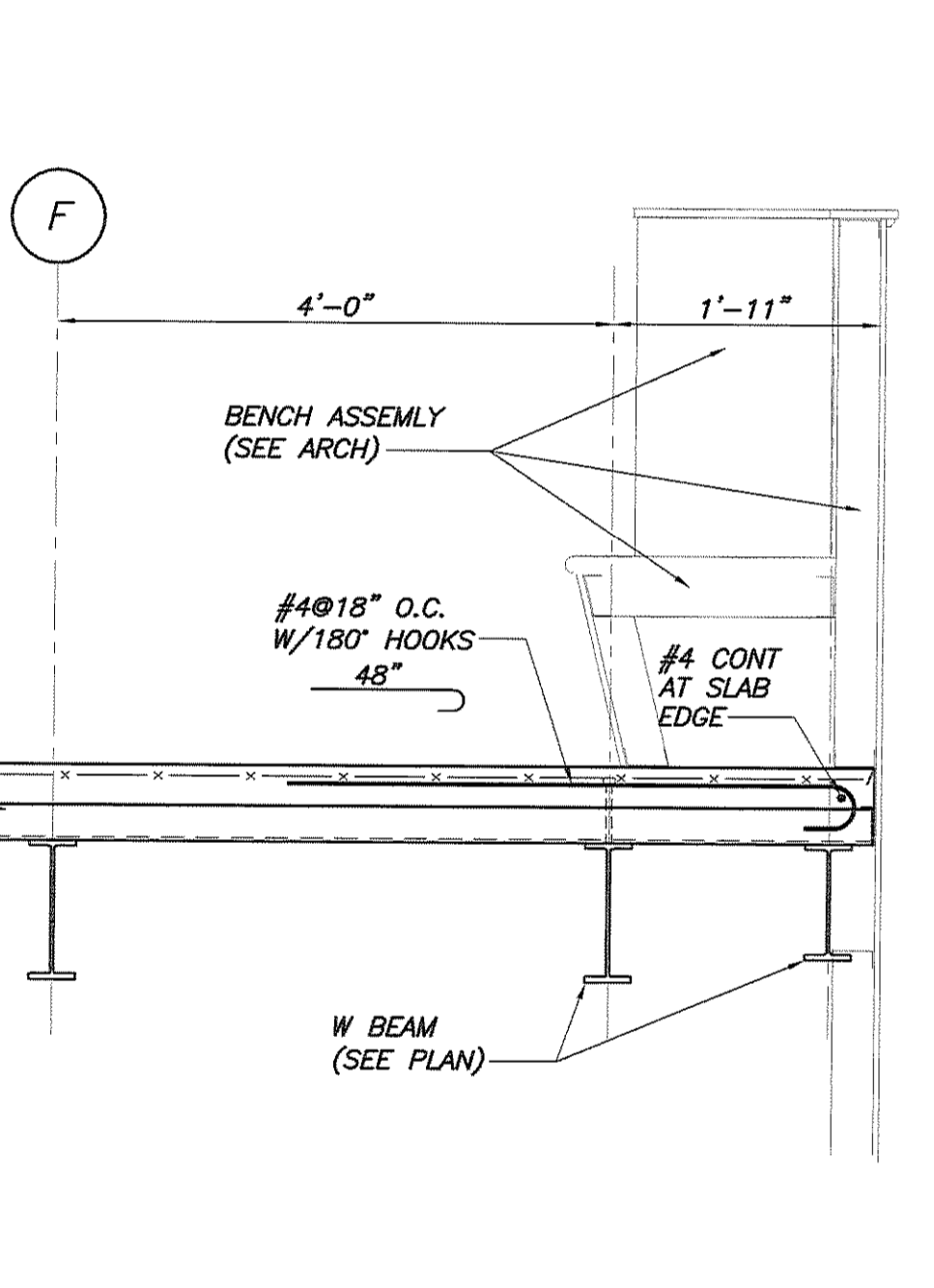
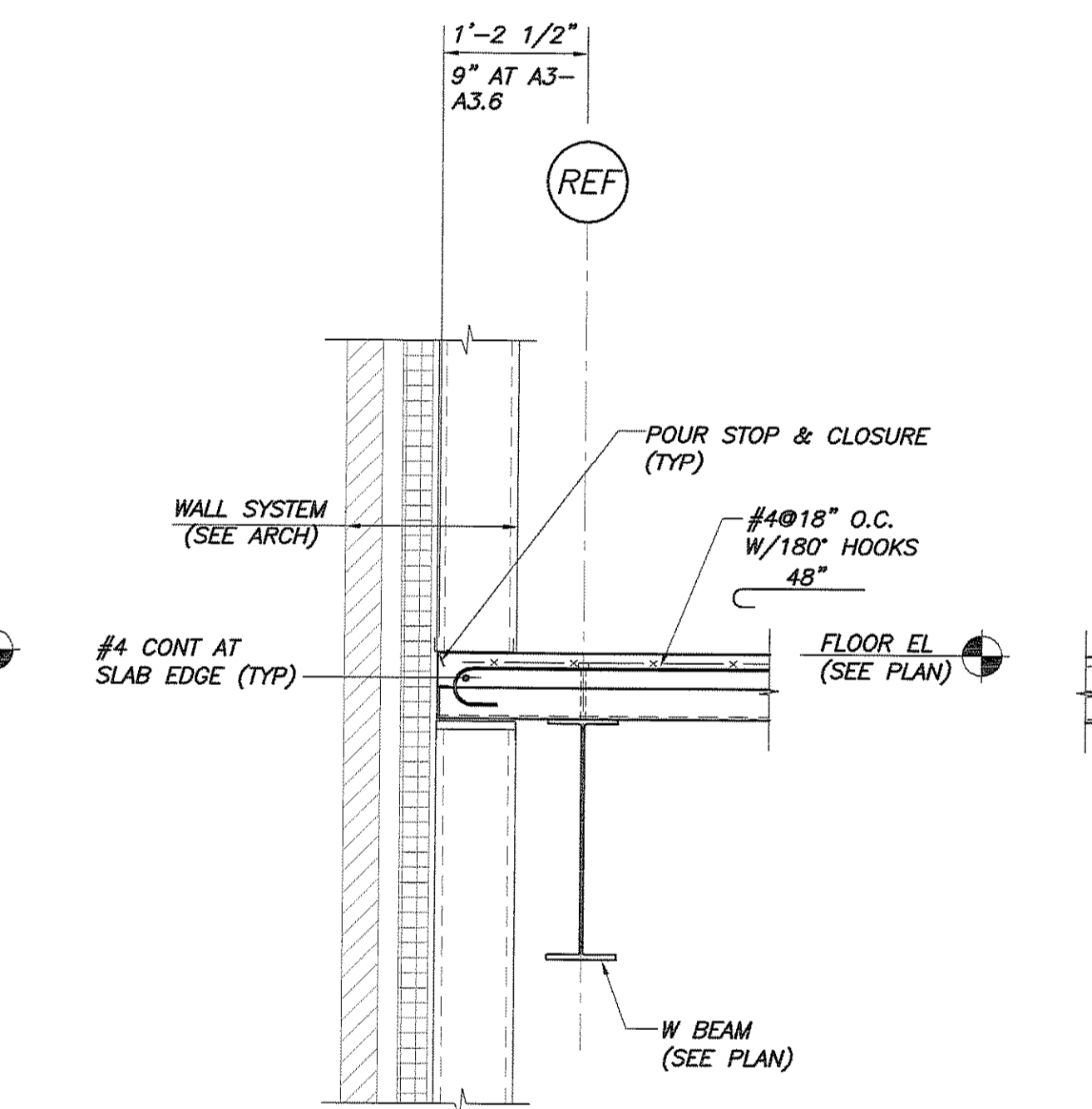
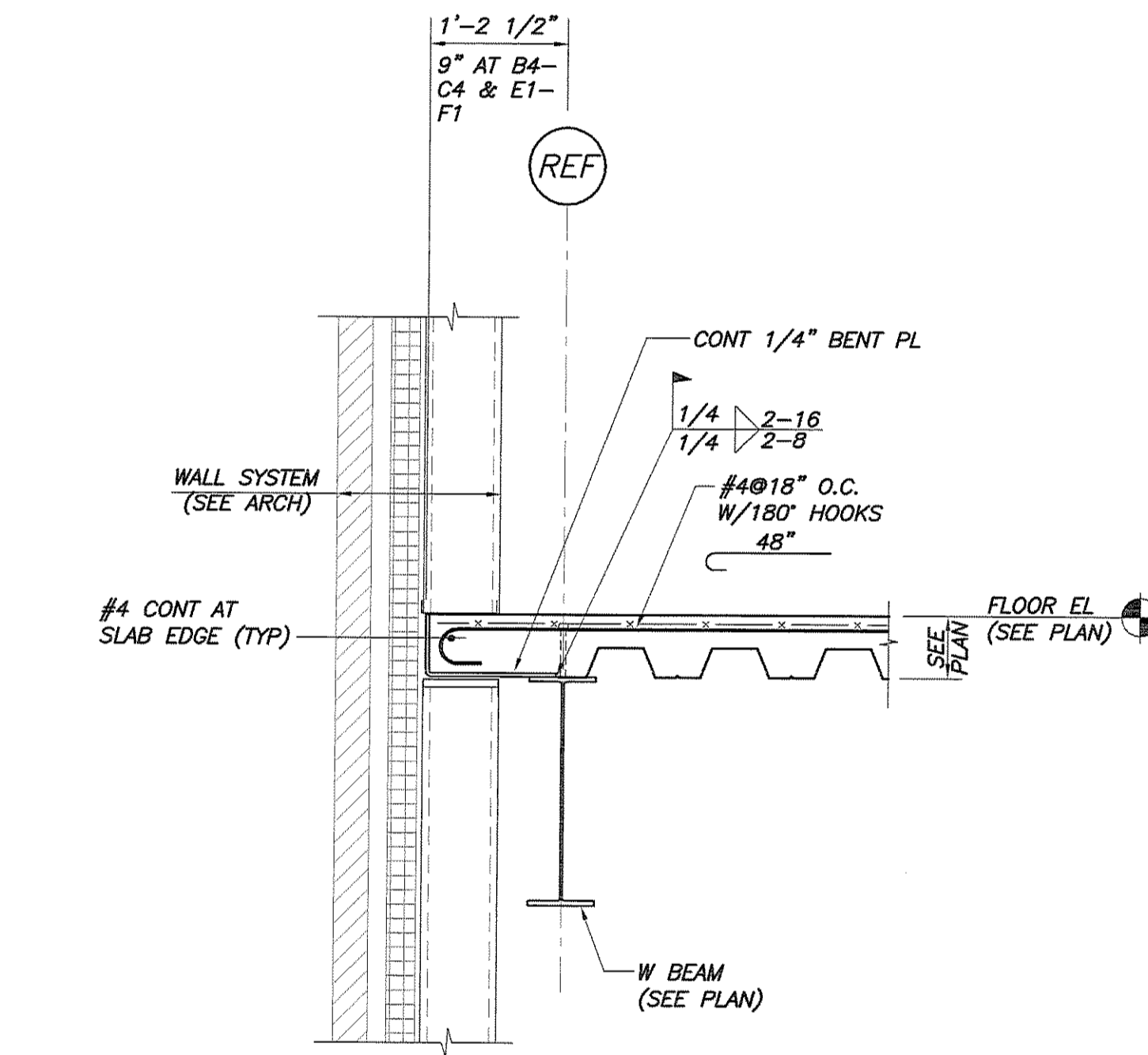
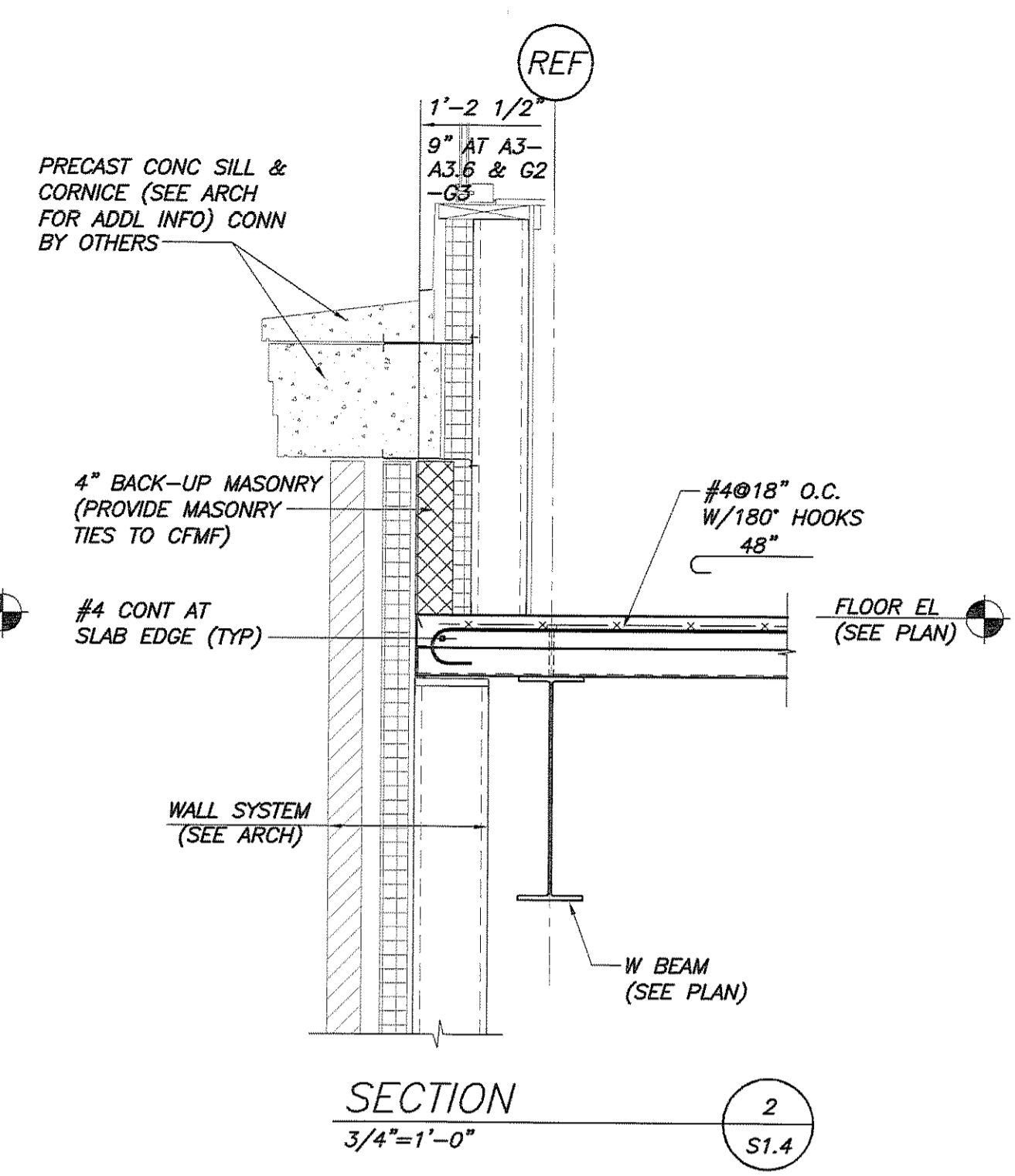
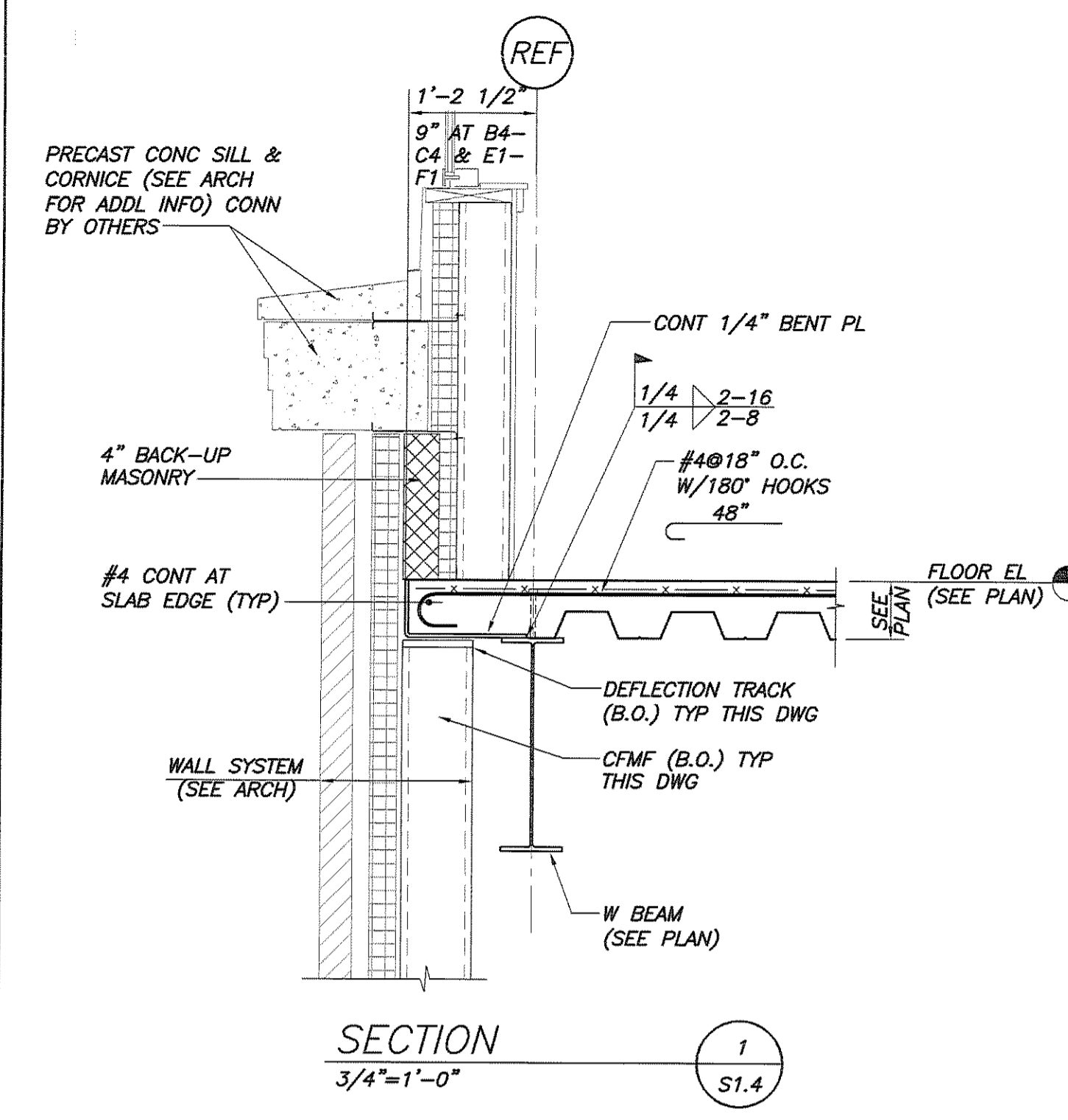
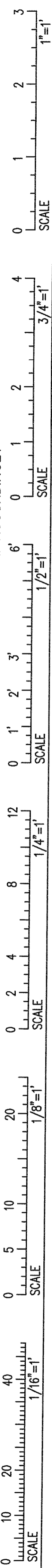


IF THIS SHEET IS NOT 24 X 36 IT IS A REDUCED SCALE PRINT - SCALE ACCORDINGLY



**PORT CITY ARCHITECTURE**

65 NEWBURY STREET  
 PORTLAND, ME 04101  
 207.761.9000  
 fax: 207.761.2010  
 lita@portcityarch.com

**JACOBS CONSULTANCY**  
 DPR Laboratory Planning Practices

**VANZELM ENGINEERS**  
 VANZELM HEYWOOD & BRADFORD, INC.

**BECKER**  
 structural engineers, inc.

**SYTDesign CONSULTANTS**  
 CIVIL ENGINEERING & LANDSCAPE ARCHITECTURE

**ALLIED/COOK CONSTRUCTION**

**Favreau**  
 electric

**Titan Mechanical, Inc.**  
 Design-Build Engineering - Mechanical Contracting

**UNIVERSITY OF NEW ENGLAND**

**COLLEGE OF PHARMACY**

716 STEVENS AVENUE, PORTLAND, ME

#	DATE	DESCRIPTION
		BID SET
	02/08/08	Date Issued
	06506	Project Number

SHEET NAME  
**FRAMING SECTIONS & DETAILS**

Drawn By  
 APP  
 Checked By  
 DSB

**S3.2**

**BID SET - NOT FOR CONSTRUCTION**

COPYRIGHT: Reuse or reproduction of the contents of this document is not permitted without written permission of PORT CITY ARCHITECTURE PA