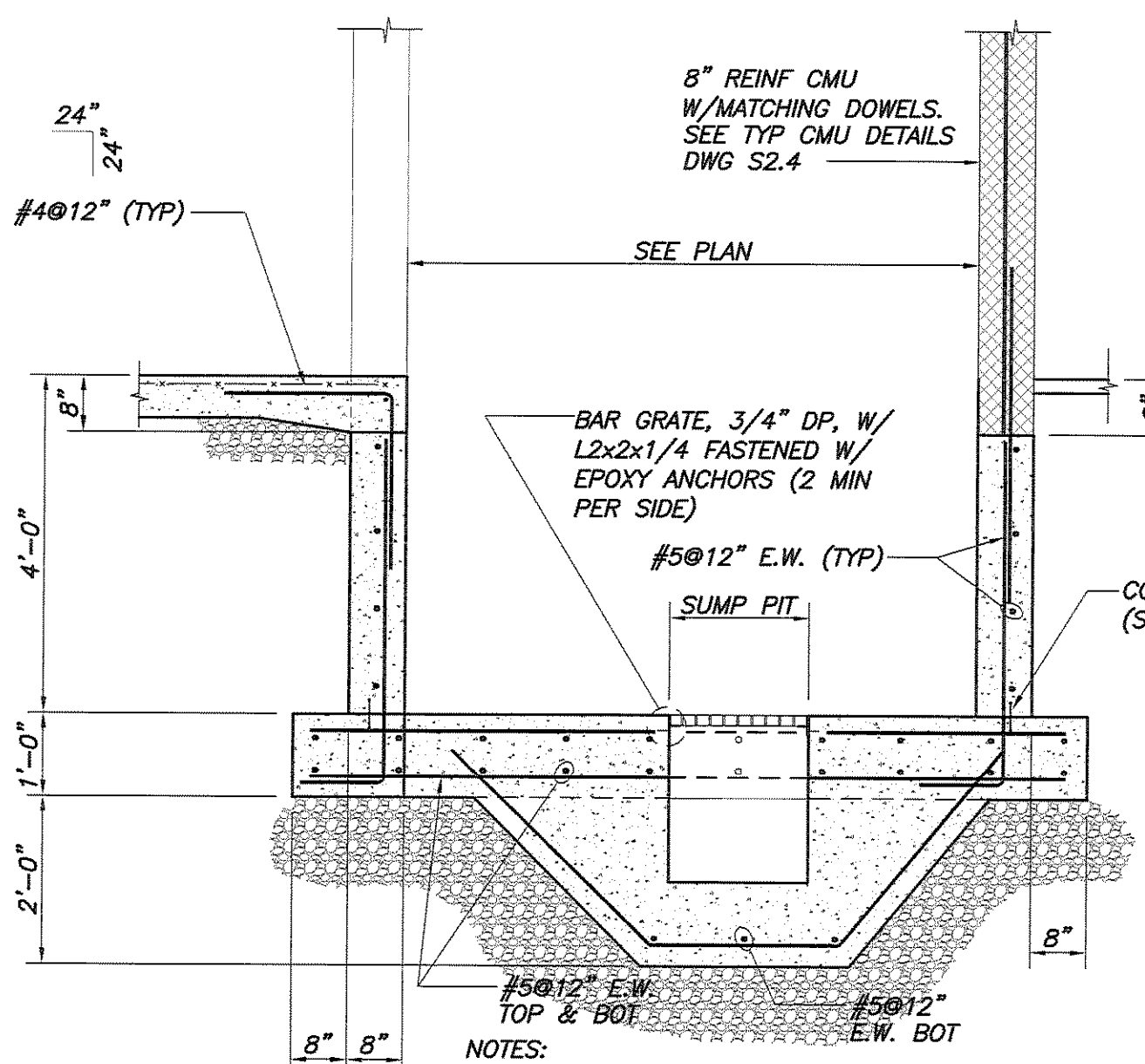
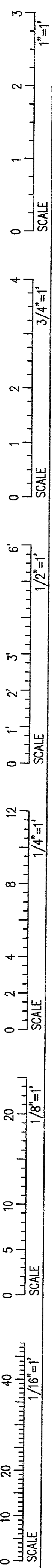
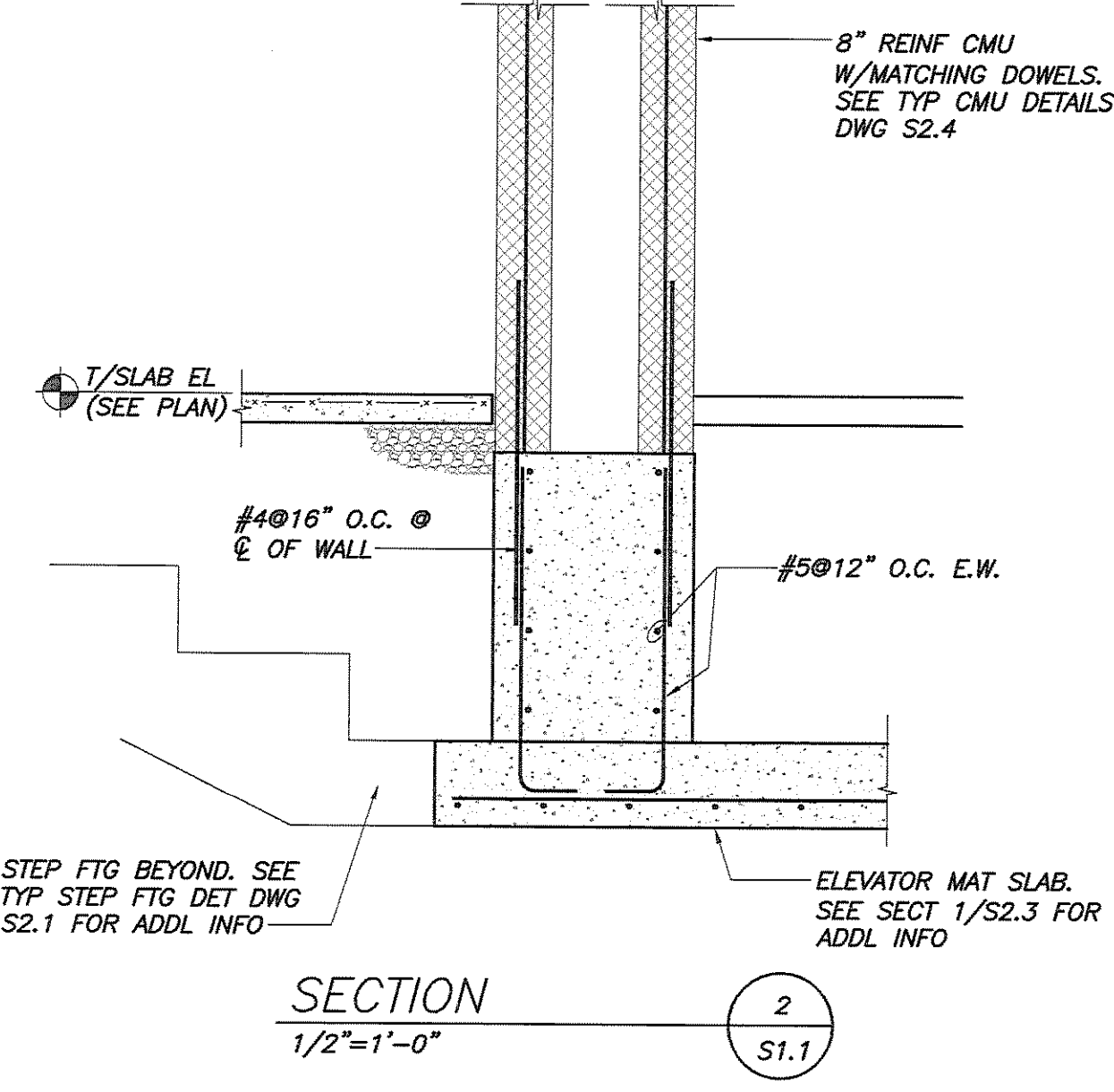


IF THIS SHEET IS NOT 24 X 36 IT IS A REDUCED SCALE PRINT - SCALE ACCORDINGLY

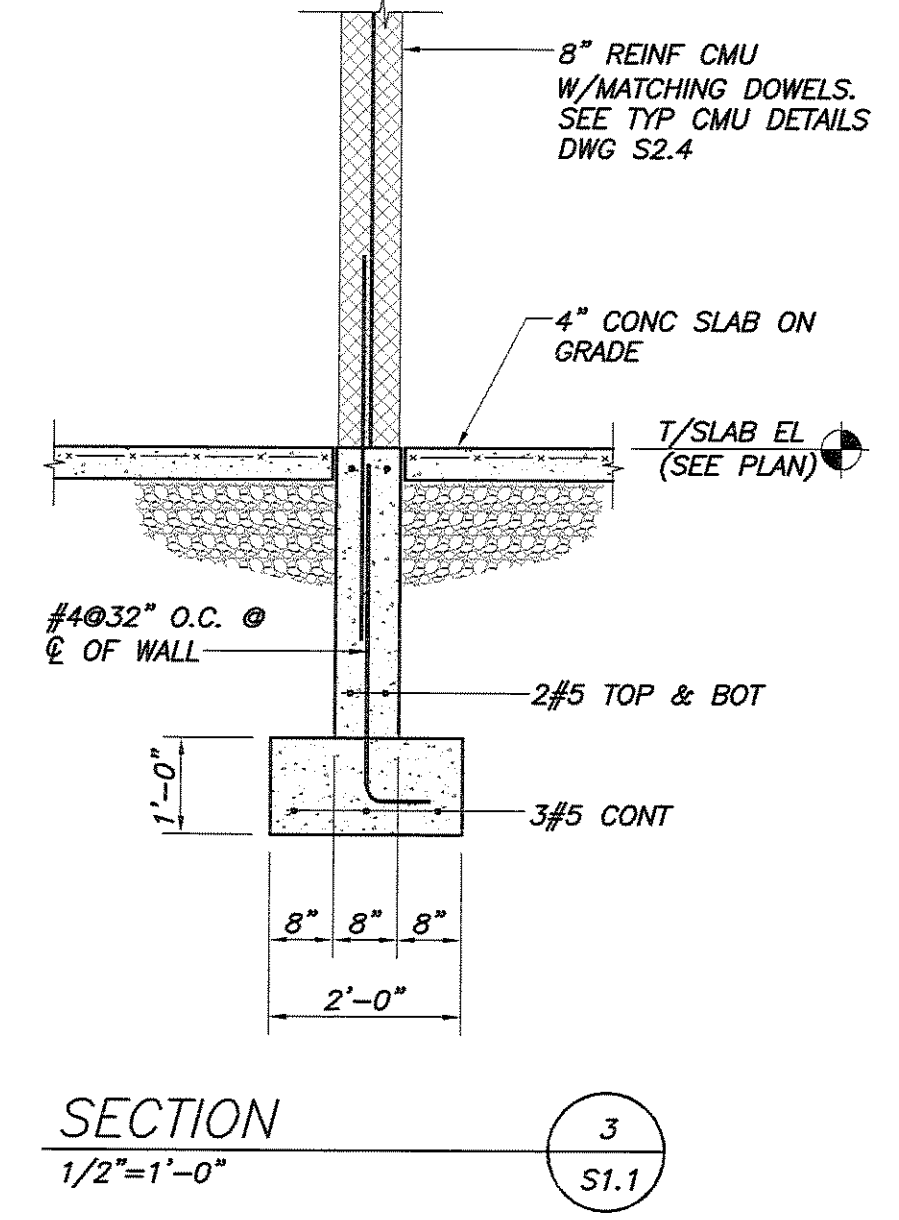


- NOTES:
- G.C. TO COORD SUMP PIT SIZE & LOCATION W/APPROVED ELEVATOR SHOP DWGS.
 - G.C. TO COORD HYDRAULICS BONDOUT W/APPROVED ELEVATOR SHOP DWGS. PISTON SLEEVE TO BE DESIGNED TO RESIST 400 PSF HYDROSTATIC PRESSURE.
 - SOILS AT BASE OF ELEVATOR PIT MUST BE DEWATERED UNTIL ENTIRE MASONRY SHAFT HAS BEEN COMPLETED.

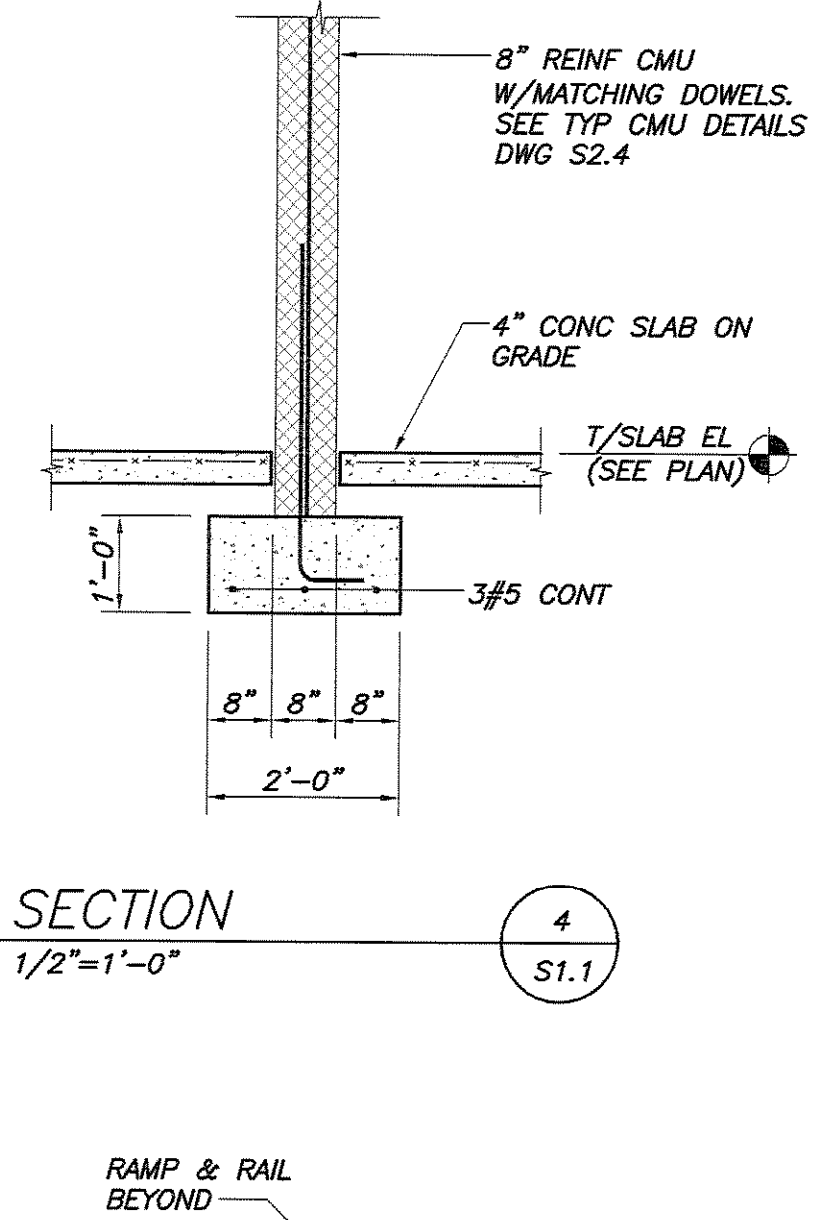
SECTION 1
1/2"=1'-0"



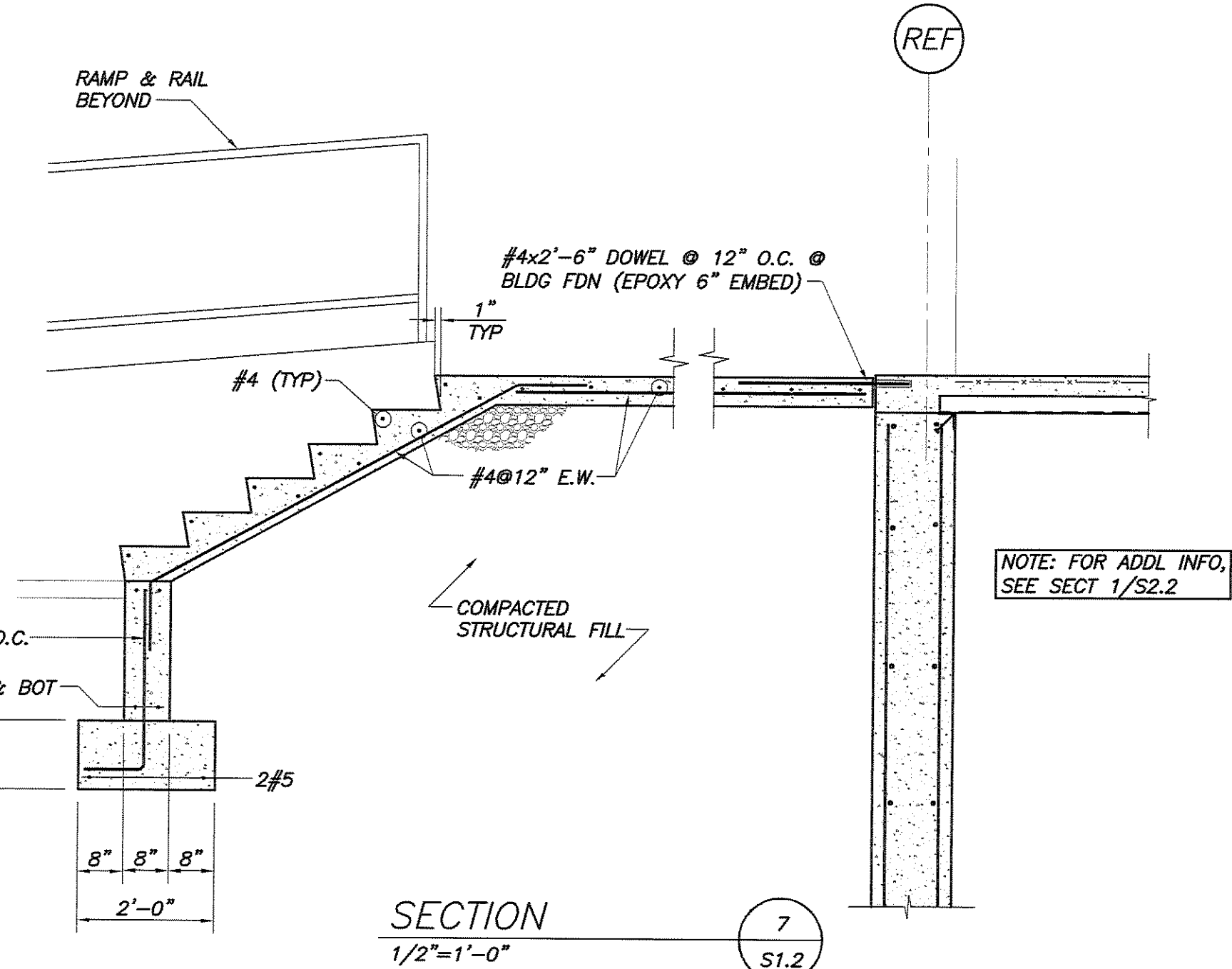
SECTION 2
1/2"=1'-0"



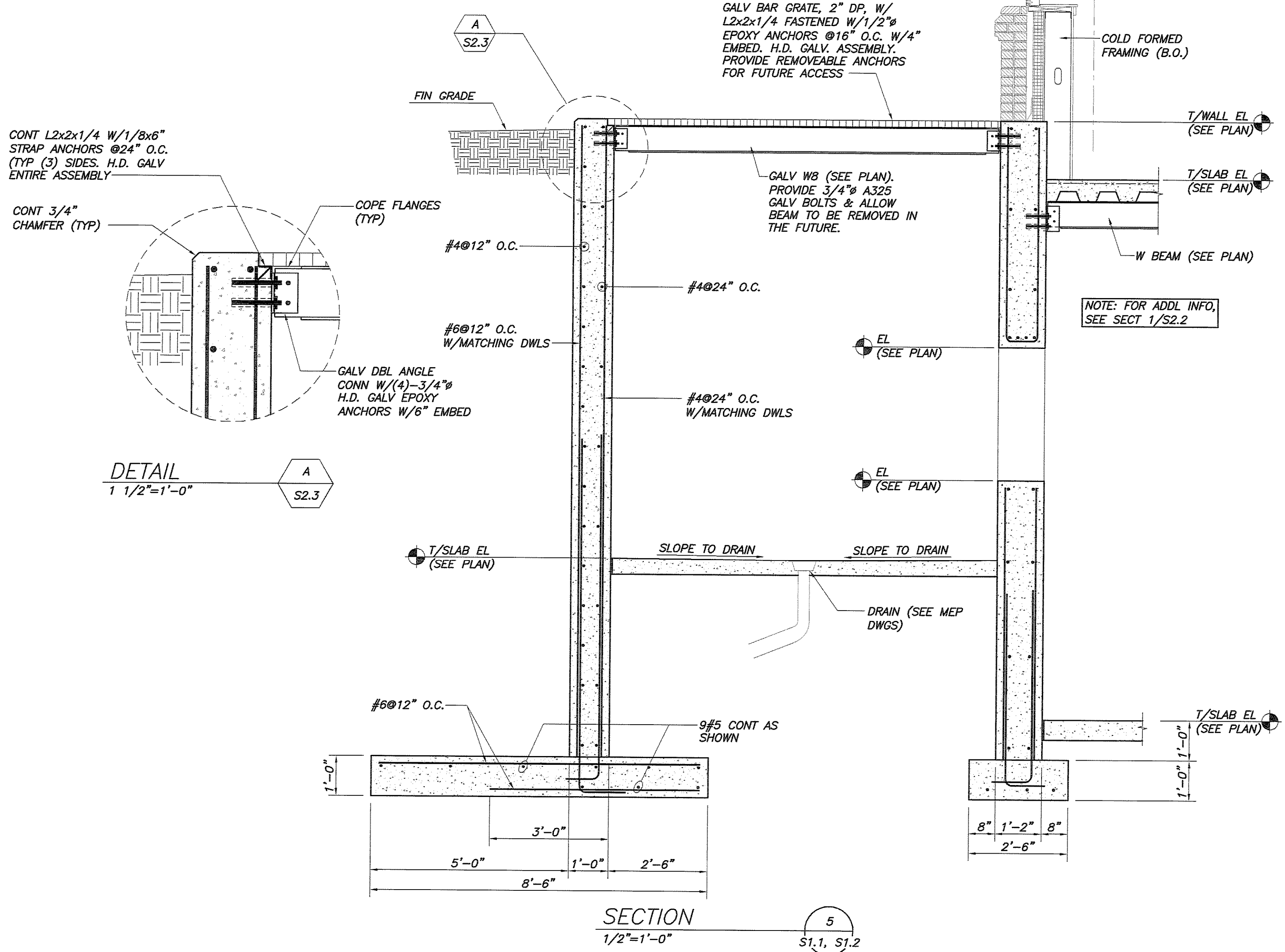
SECTION 3
1/2"=1'-0"



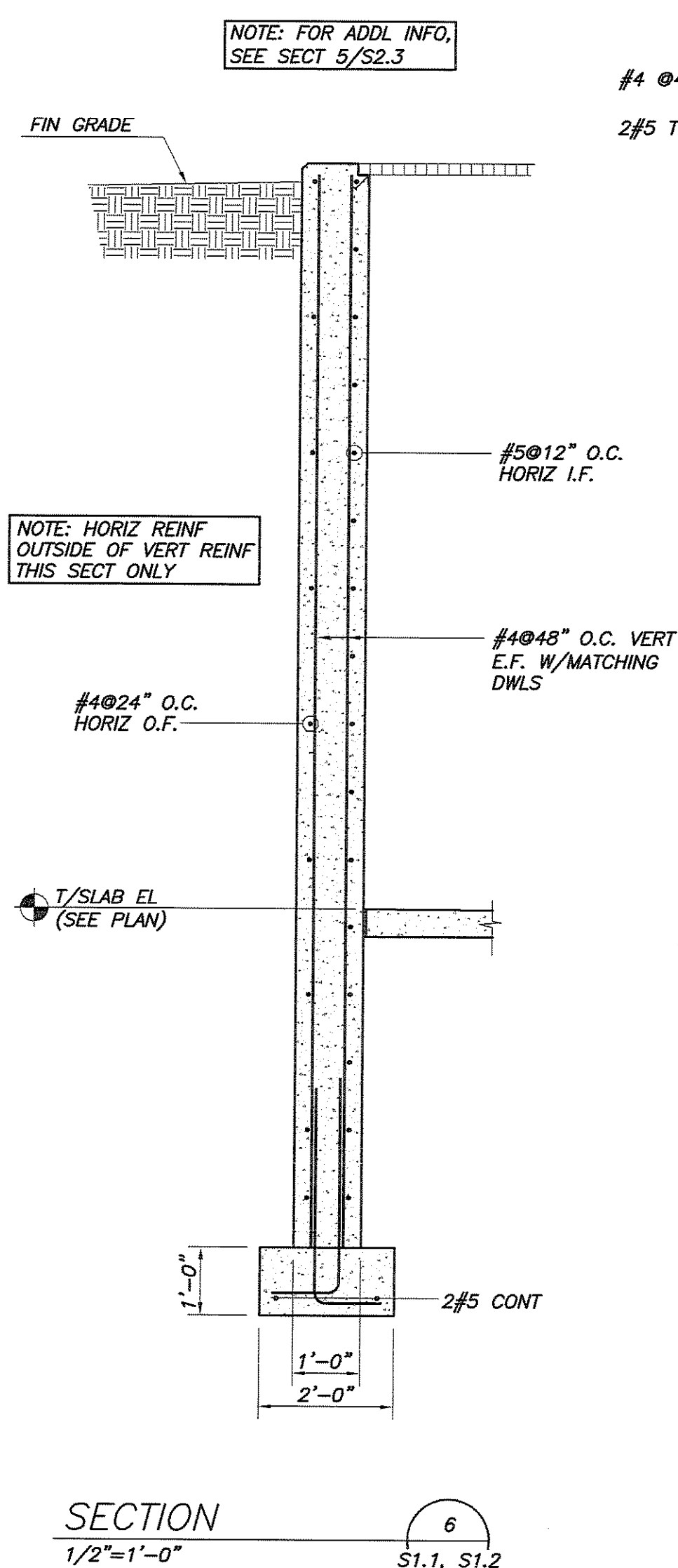
SECTION 4
1/2"=1'-0"



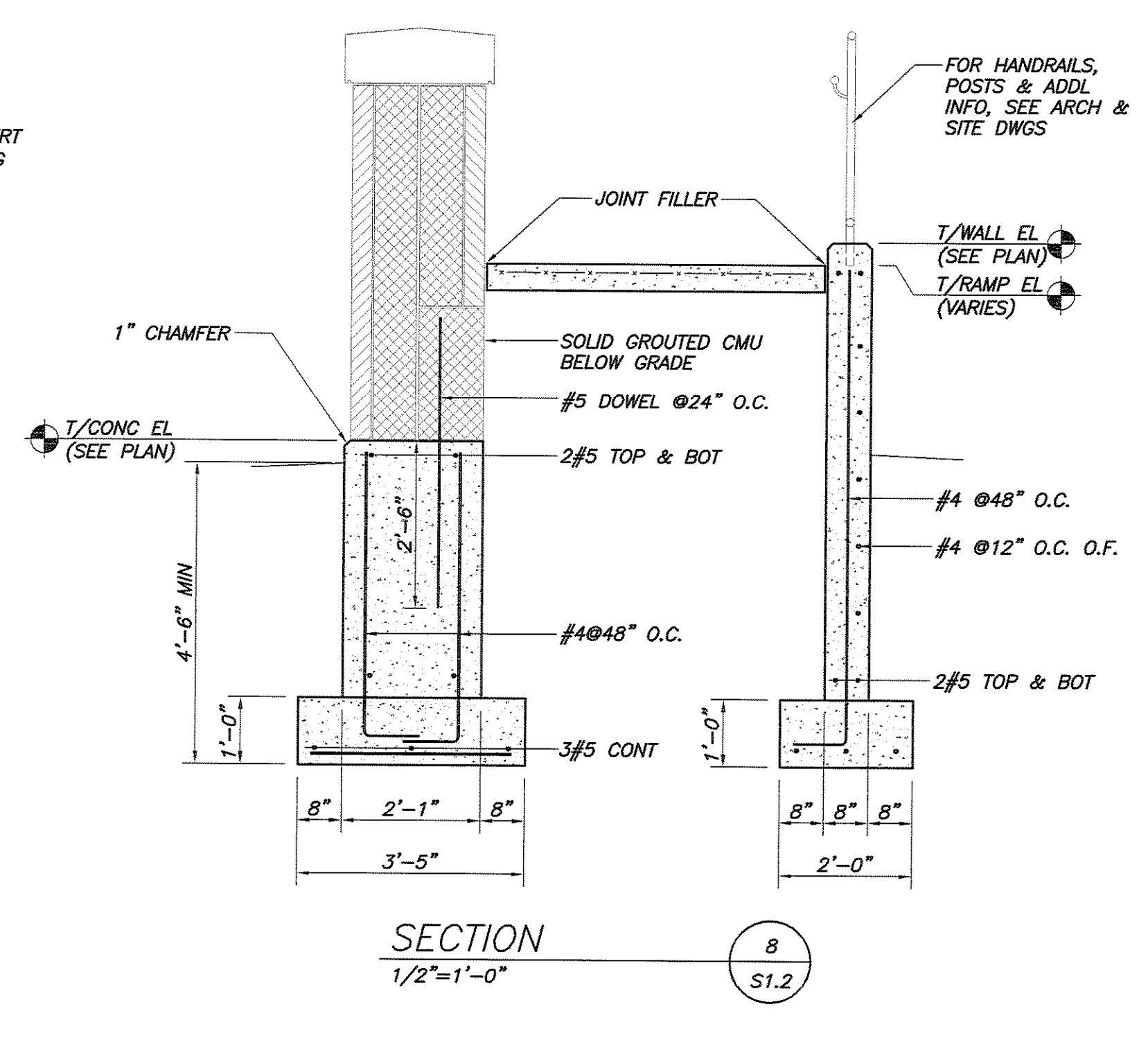
SECTION 7
1/2"=1'-0"



SECTION 5
1/2"=1'-0"

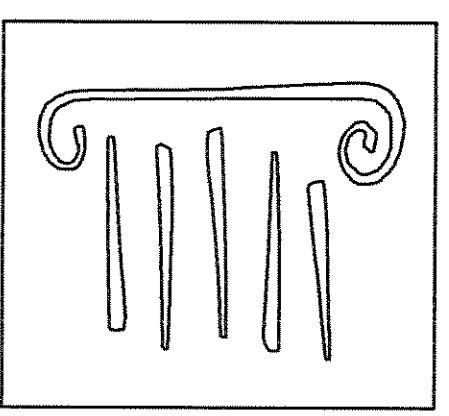


SECTION 6
1/2"=1'-0"



SECTION 8
1/2"=1'-0"

DETAIL A
1 1/2"=1'-0"



PORT CITY ARCHITECTURE

65 NEWBURY STREET
PORTLAND, ME 04101
207.761.9000
fax: 207.761.2010
lita@portcityarch.com

JACOBS CONSULTANCY
OPR Laboratory Planning Practice

VANZELM ENGINEERS
VANZELM HEYWOOD & SHAFER, INC.

BECKER structural engineers, inc.

SYTDesign CONSULTANTS
CIVIL ENGINEERING & LANDSCAPE ARCHITECTURE

ALLIED/COOK CONSTRUCTION

Faireau ELECTRIC

Titan Mechanical, Inc.
Design-Build Engineering - Mechanical Contracting

UNIVERSITY OF NEW ENGLAND

COLLEGE OF PHARMACY

716 STEVENS AVENUE, PORTLAND, ME

#	DATE	DESCRIPTION
		BID SET
	02/08/08	Date Issued
	06506	Project Number

SHEET NAME	
CONCRETE SECTIONS	

Drawn By
APP

Checked By
DSB

S2.3

BID SET - NOT FOR CONSTRUCTION

COPYRIGHT: Reuse or reproduction of the contents of this document is not permitted without written permission of PORT CITY ARCHITECTURE PA