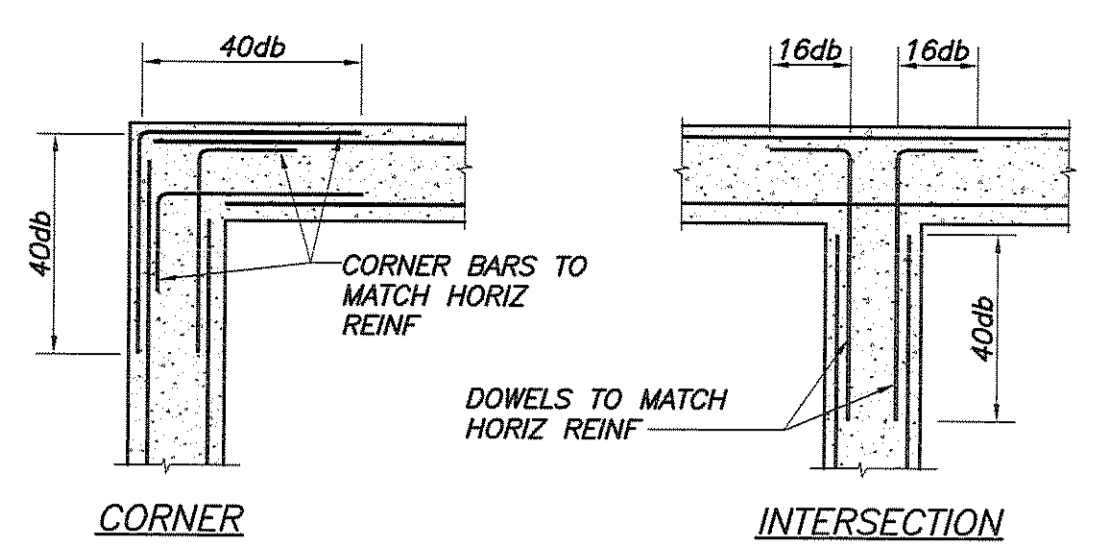
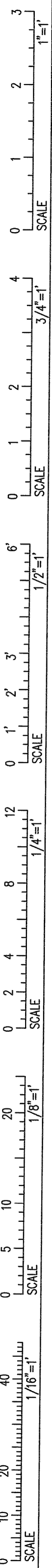
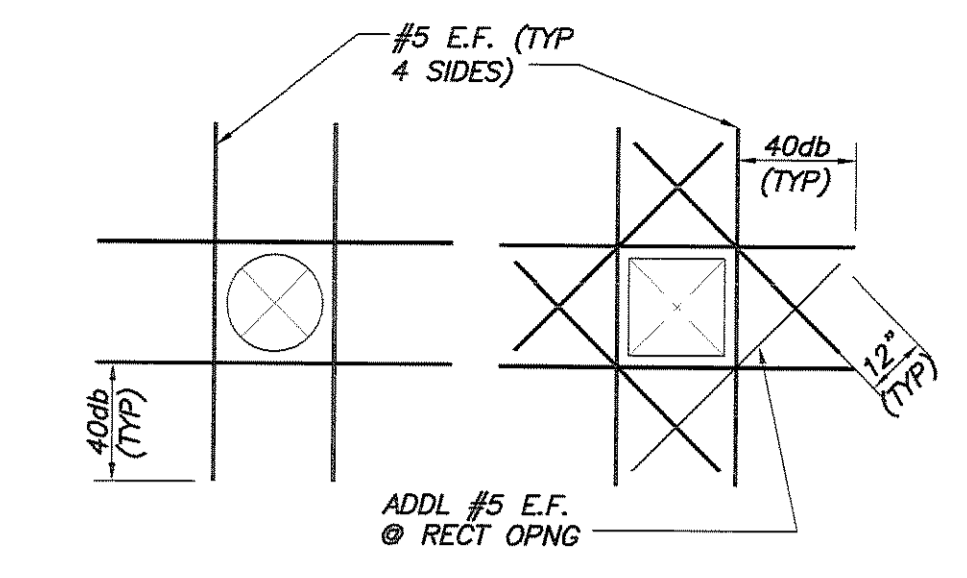


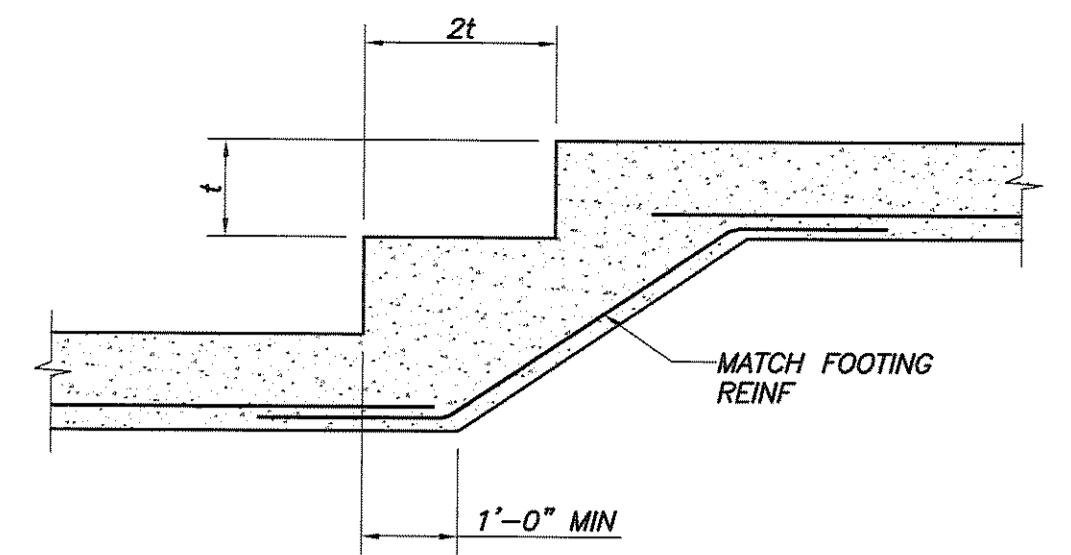
IF THIS SHEET IS NOT 24 X 36 IT IS A REDUCED SCALE PRINT - SCALE ACCORDINGLY



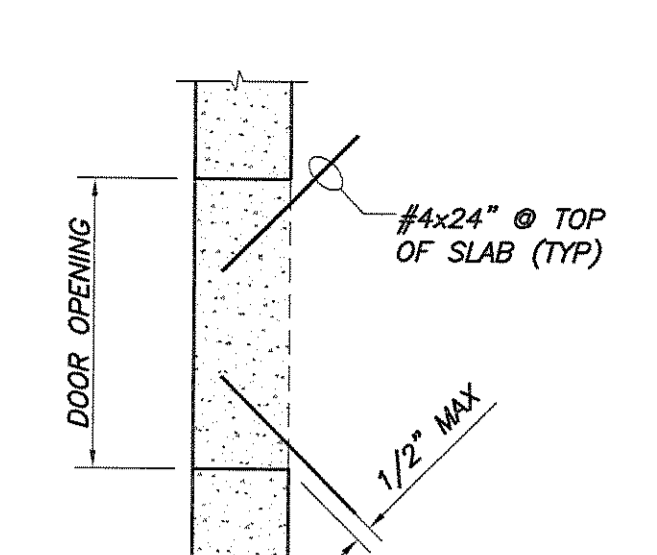
**TYP WALL REINF DETAILS**  
N.T.S.



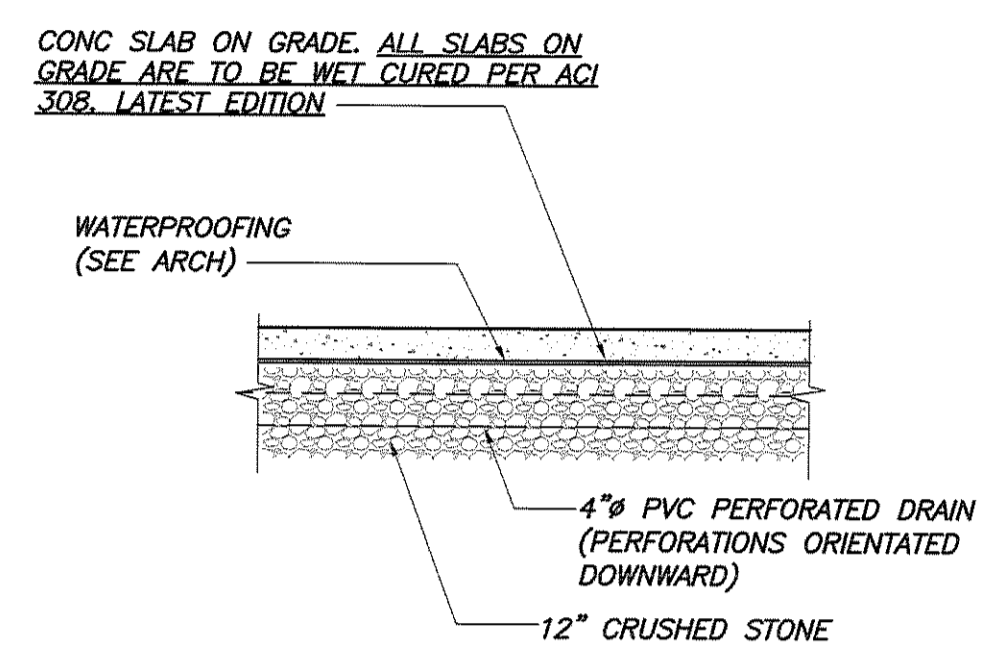
**TYP OPENING IN WALL OR SLAB DETAIL**  
N.T.S.



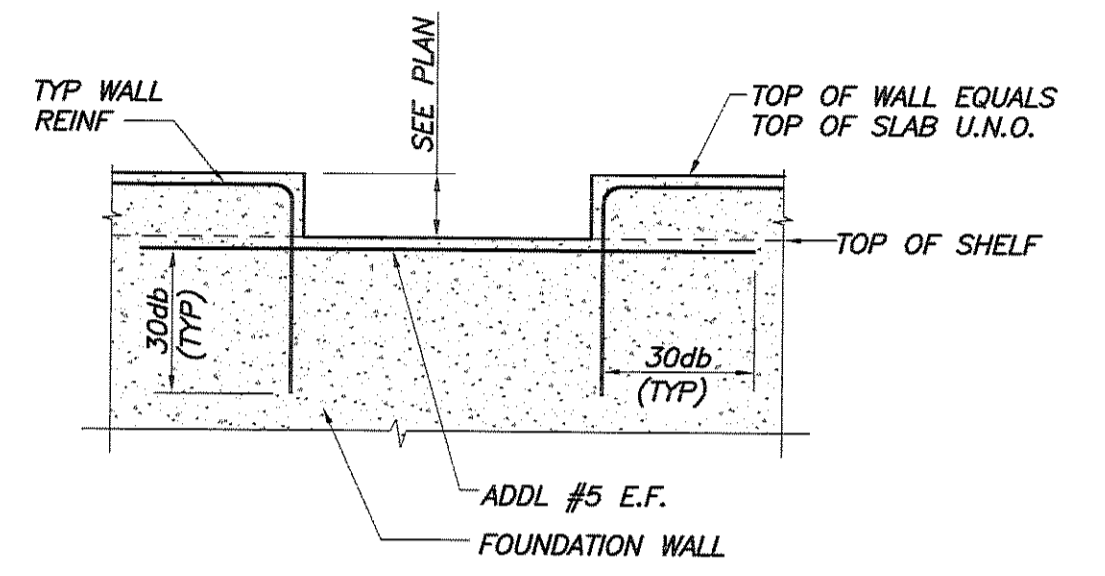
**TYP STEP FOOTING DETAIL**  
N.T.S. t = FOOTING THICKNESS



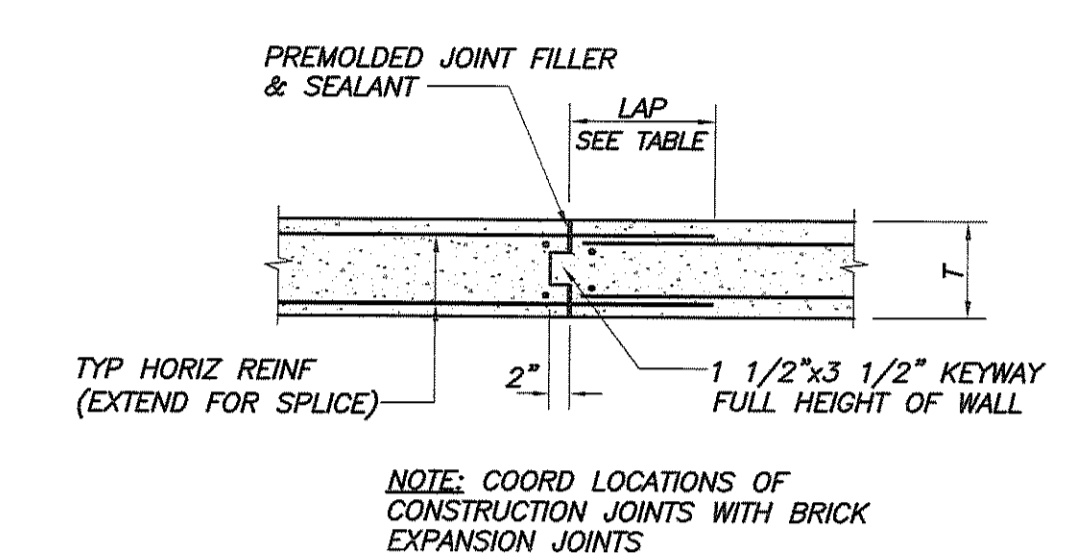
**TYP SLAB CORNER DETAIL @ DOOR**  
N.T.S.  
NOTE: ALSO PROVIDE #4x24" (TOP) IN SLAB @ INSIDE RE-ENTRANT CORNERS (SEE PLAN)



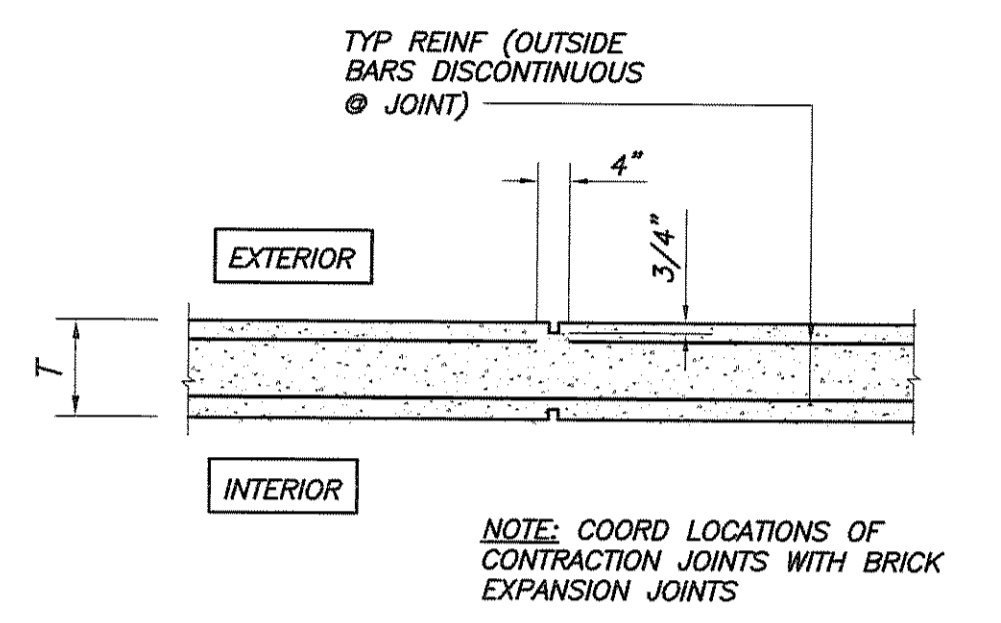
**TYP SLAB DETAIL**  
N.T.S.



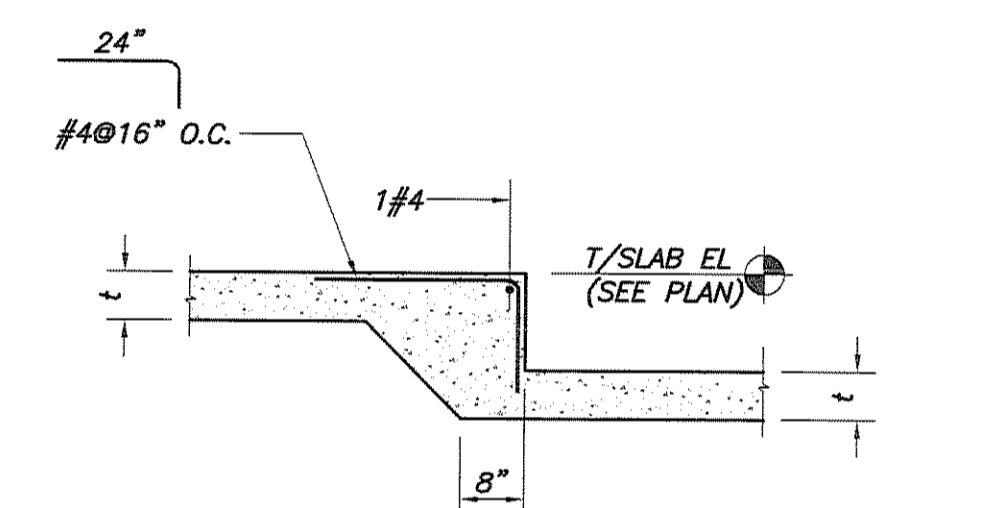
**TYP WALL DEPRESSION DETAIL @ DOOR**  
N.T.S.



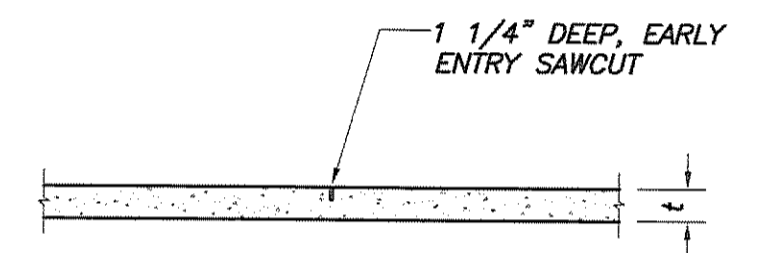
**TYP CONSTRUCTION JOINT IN WALL**  
N.T.S. T = WALL THICKNESS



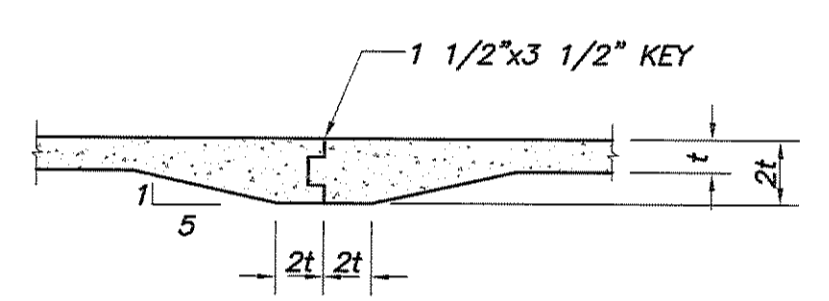
**TYP CONTRACTION JOINT IN WALL**  
N.T.S. T = WALL THICKNESS



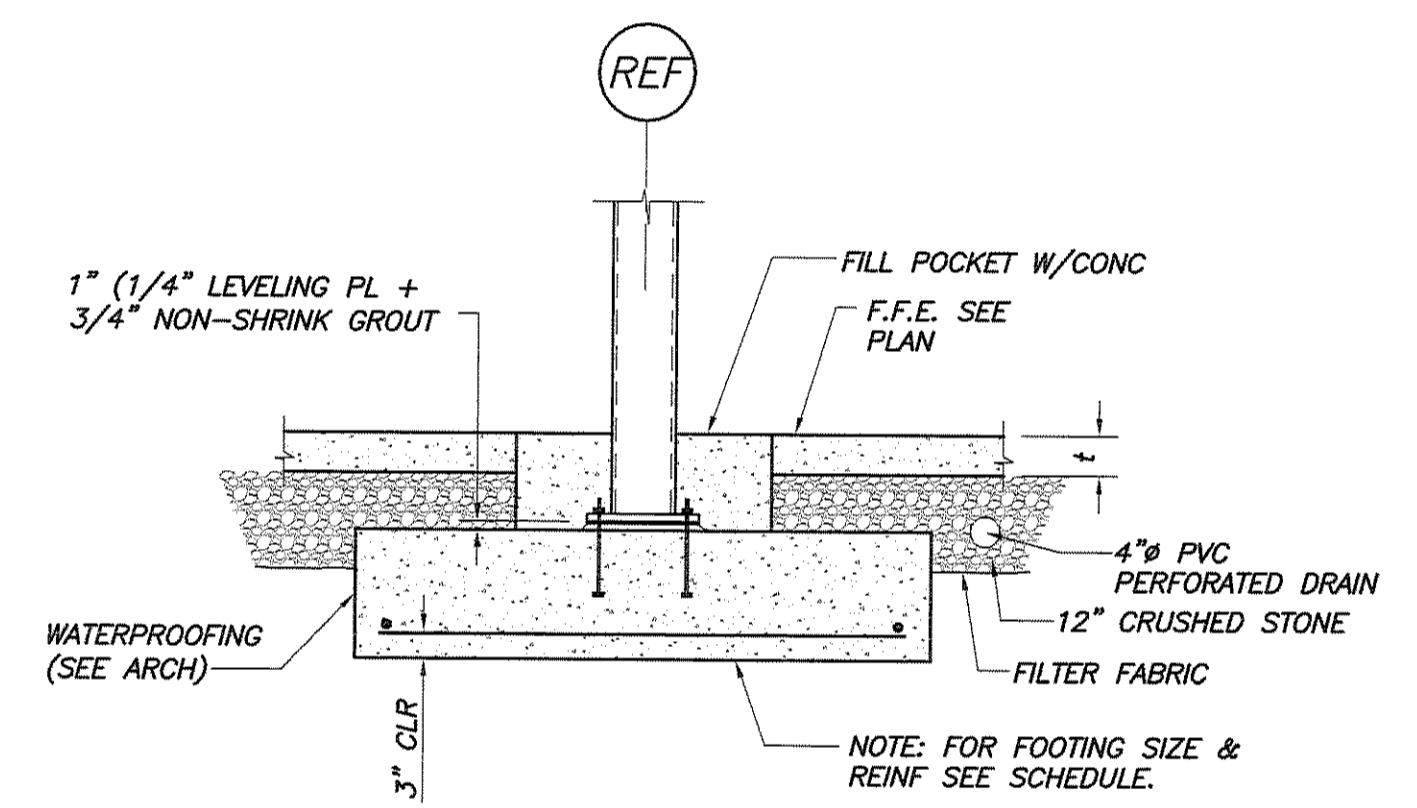
**TYP SLAB ON GRADE DEPRESSION DETAIL**  
N.T.S. t = SLAB THICKNESS



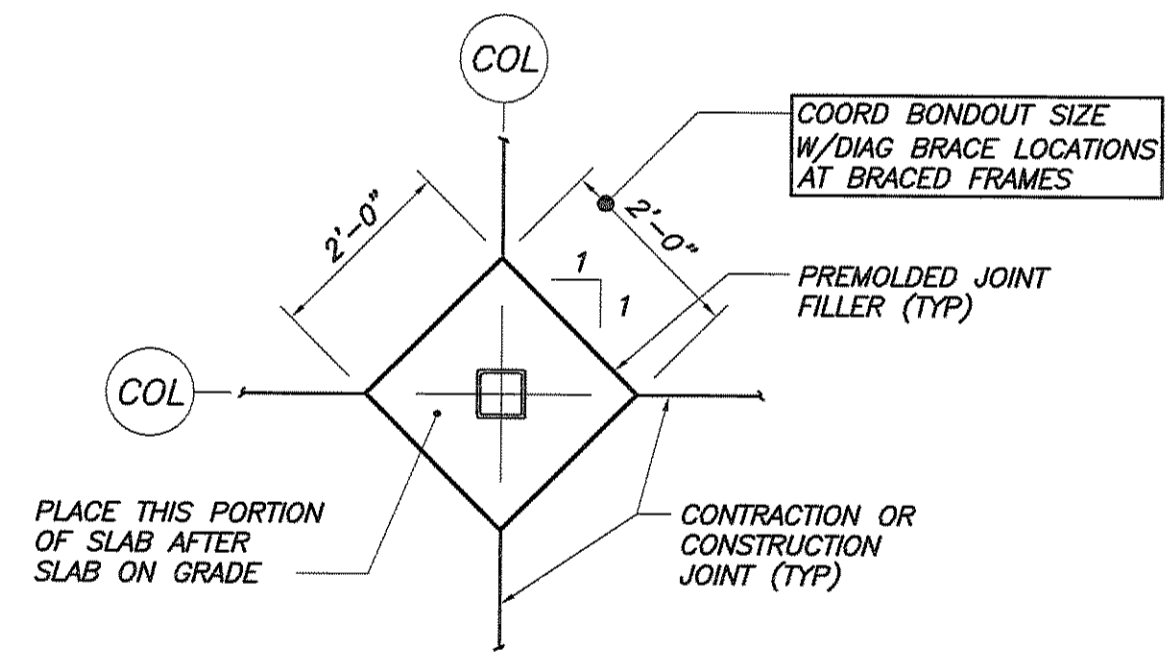
**TYP SLAB ON GRADE CONTRACTION JOINT DETAIL**  
N.T.S. t = SLAB THICKNESS



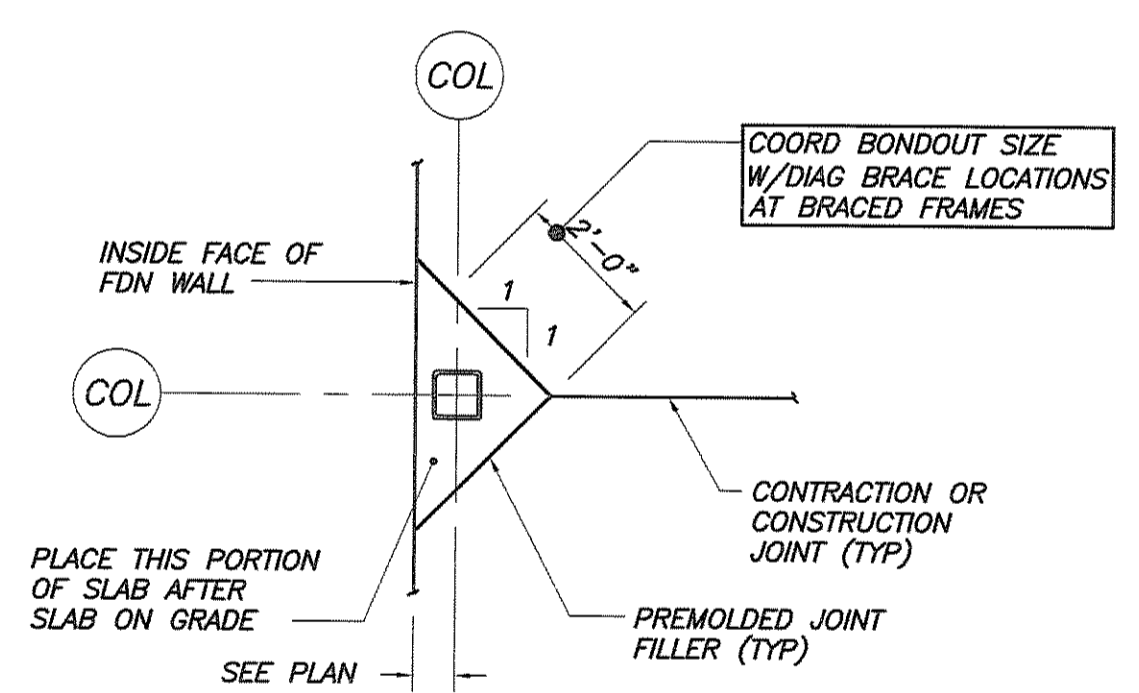
**TYP SLAB ON GRADE CONST JOINT DETAIL**  
N.T.S. t = SLAB THICKNESS



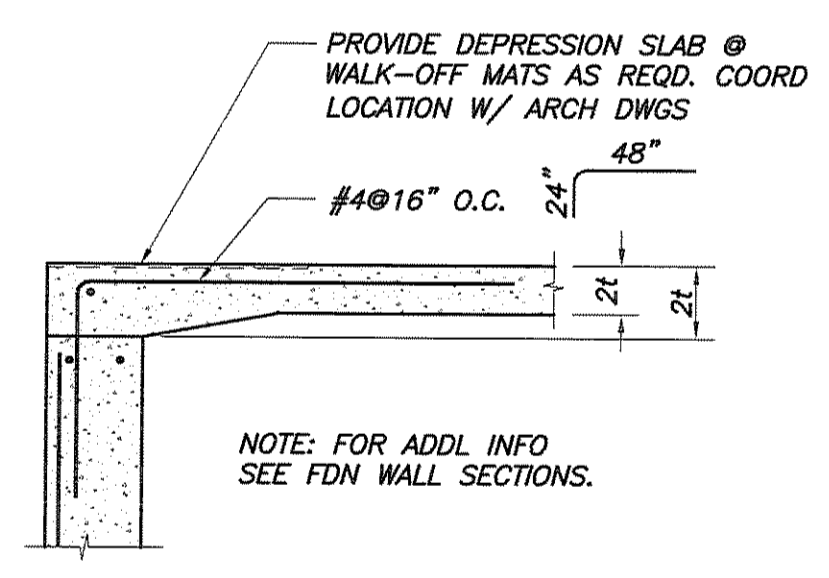
**TYP INTERIOR FOOTING**  
N.T.S.



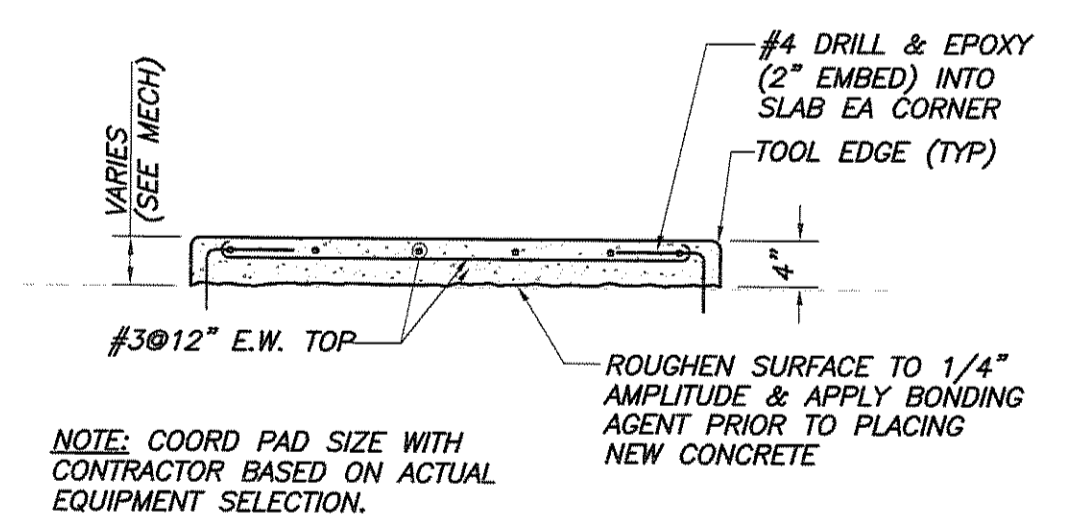
**TYP INT COLUMN ISOLATION JOINT DETAIL**  
N.T.S.



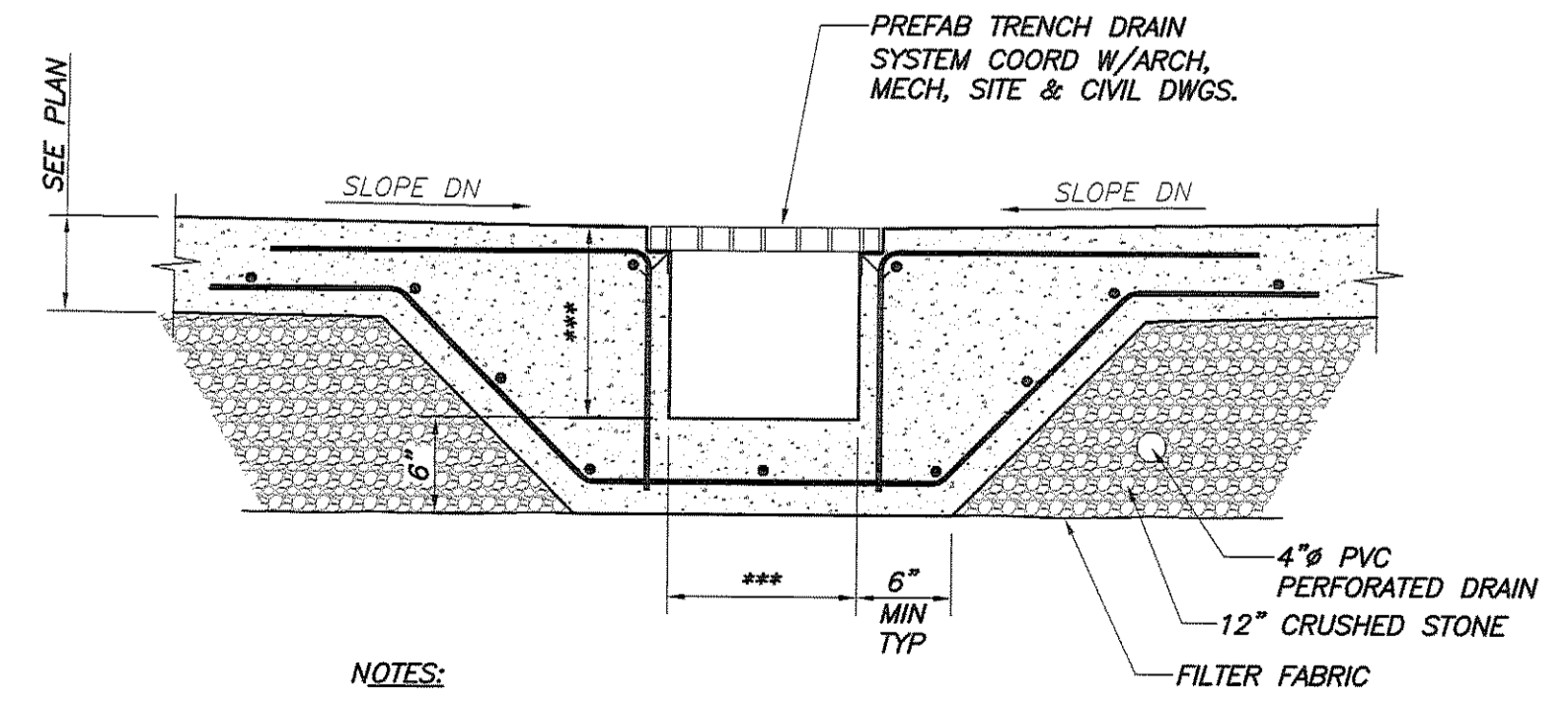
**TYP EXT COLUMN ISOLATION JOINT DETAIL**  
N.T.S.



**TYP SLAB DETAIL @ DOOR**  
N.T.S. t = SLAB THICKNESS



**TYP EQUIPMENT HOUSEKEEPING PAD DETAIL**  
1/2"=1'-0"



**TYP TRENCH DRAIN DETAIL**  
N.T.S.  
NOTES:  
1. \*\*\* INDICATES DIM TO BE COORD W/ARCH, CIVIL & MECH DWGS.  
2. SEE PLAN FOR SLAB REINF & SLOPING REQUIREMENTS.

BAR SIZE	LAP LENGTH	
	3,000 PSI	4,000 PSI
#3	30"	24"
#4	36"	32"
#5	48"	42"
#6	64"	56"
#7	81"	72"
#8	93"	80"

**BID SET - NOT FOR CONSTRUCTION**

**PORT CITY ARCHITECTURE**  
65 NEWBURY STREET  
PORTLAND, ME 04101  
207.761.9000  
fax: 207.761.2010  
lita@portcityarch.com

**JACOBS CONSULTANCY**  
GPR Laboratory Planning Practice

**VANZELM ENGINEERS**  
VANZELM HEYWOOD & SHADROFF, INC.

**BECKER**  
structural engineers, inc.

**SYTDesign CONSULTANTS**  
CIVIL ENGINEERING & LANDSCAPE ARCHITECTURE

**ALLIED/COOK CONSTRUCTION**

**Favreau**

**Titan Mechanical, Inc.**  
Design-Build Engineering - Mechanical Contracting

**UNIVERSITY OF NEW ENGLAND COLLEGE OF PHARMACY**  
716 STEVENS AVENUE, PORTLAND, ME

#	DATE	DESCRIPTION
		BID SET
	02/08/08	Date Issued
	06506	Project Number
SHEET NAME		
TYPICAL CONCRETE DETAILS		

Drawn By: APP  
Checked By: DSB  
**S2.1**