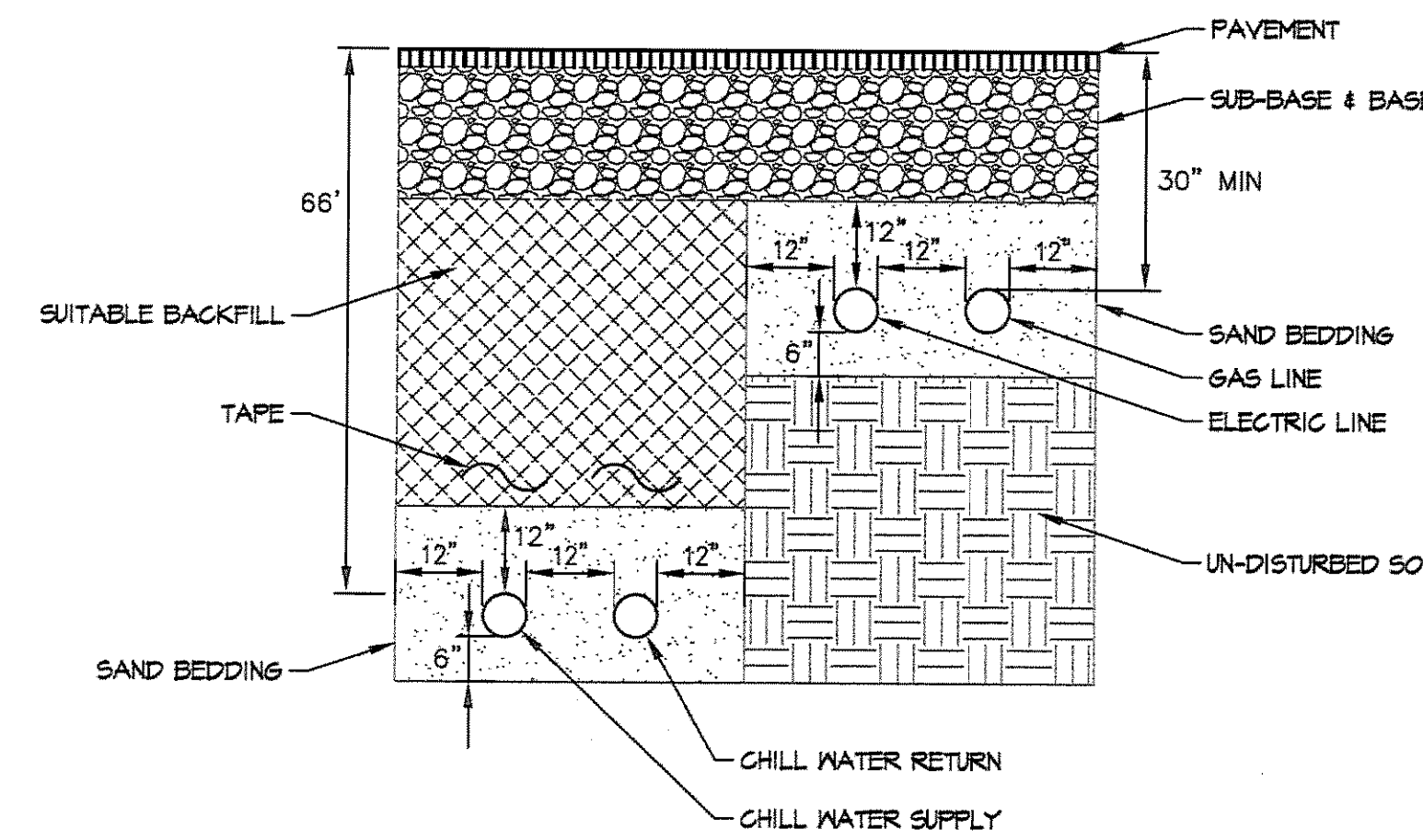


1 TYPICAL PIPE TRENCH SECTION
SCALE: NTS

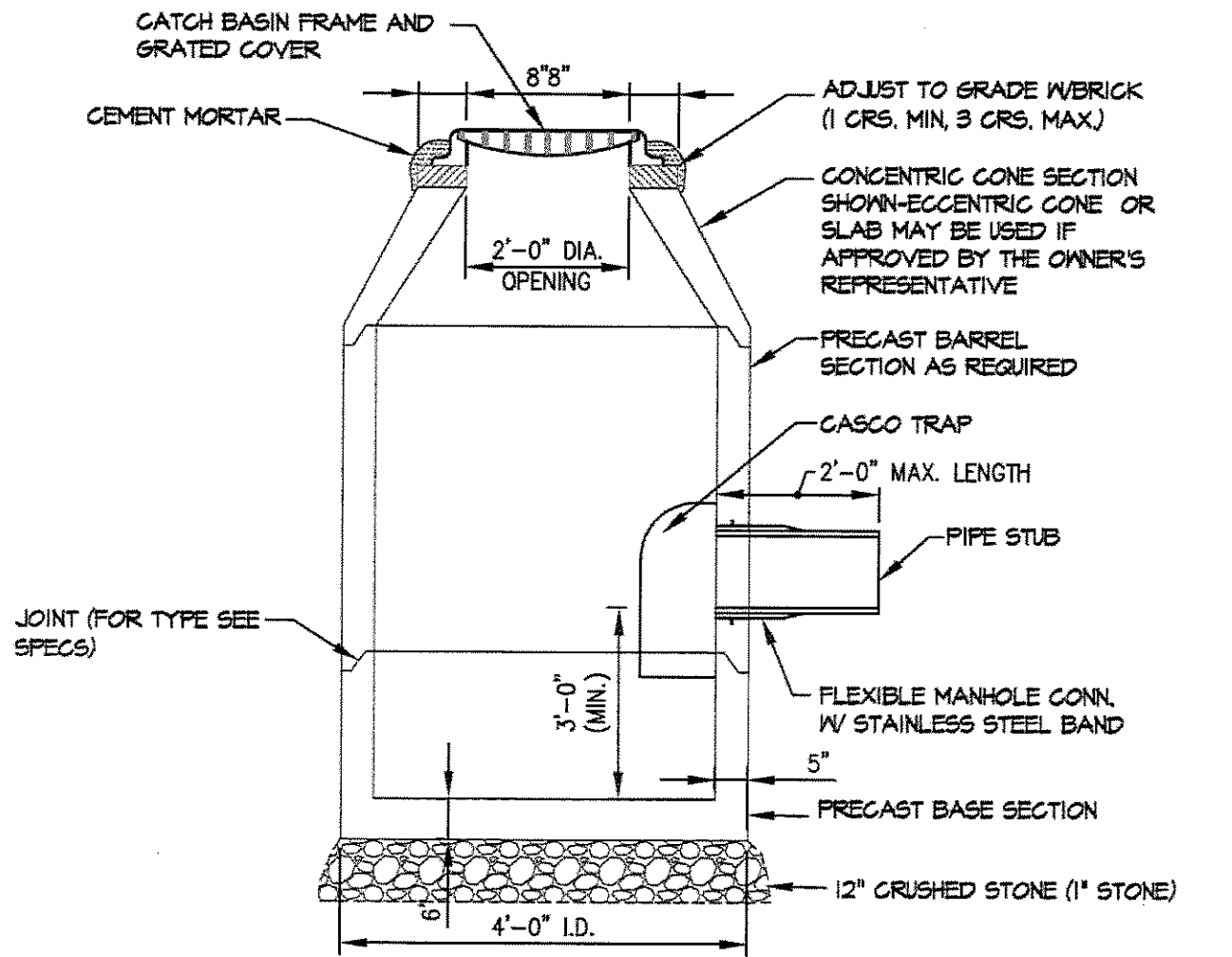
TRENCH BACKFILL SCHEDULE

PIPE MATERIAL	PIPE BEDDING	INITIAL BACKFILL	BACKFILL
HDPE	3/4" CRUSHED STONE	3/4" CRUSHED STONE	***EXCAVATED MATERIAL OR GRANULAR BORROW
PVC	3/4" CRUSHED STONE	3/4" CRUSHED STONE	***EXCAVATED MATERIAL OR GRANULAR BORROW
CMP	***EXCAVATED MATERIAL OR GRANULAR BORROW	***EXCAVATED MATERIAL OR GRANULAR BORROW	***EXCAVATED MATERIAL OR GRANULAR BORROW
DUCTILE IRON	GRANULAR MATERIAL	GRANULAR MATERIAL	***EXCAVATED MATERIAL OR GRANULAR BORROW

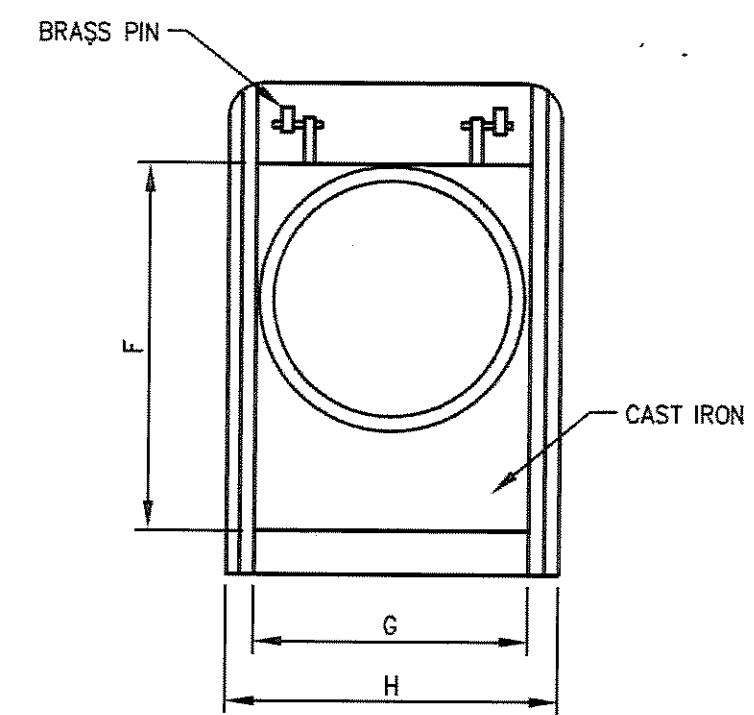
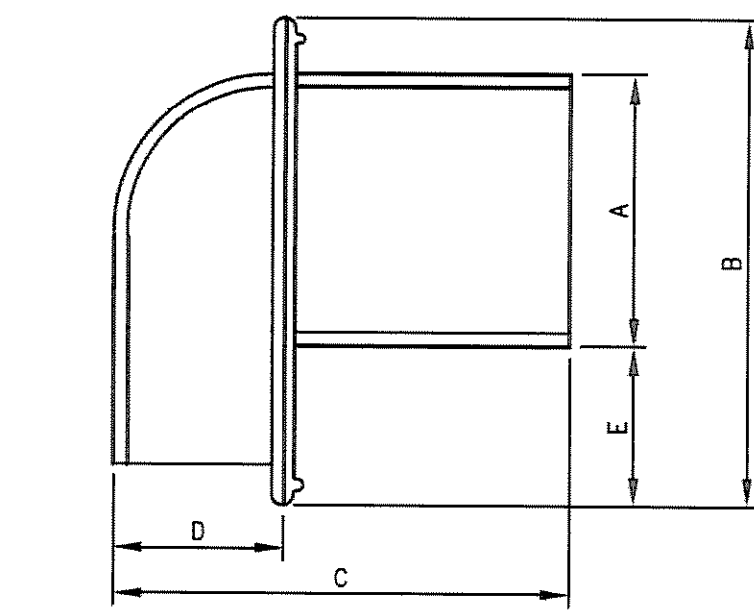
*** EXCAVATED MATERIAL MUST BE REVIEWED AND APPROVED BY THE OWNER'S REPRESENTATIVE PRIOR TO INSTALLATION.
GRANULAR MATERIAL TO BE SAND OR GRAVEL.



2 CHILLED WATER + RETURN/GAS/ELECTRIC TRENCH
SCALE: NTS



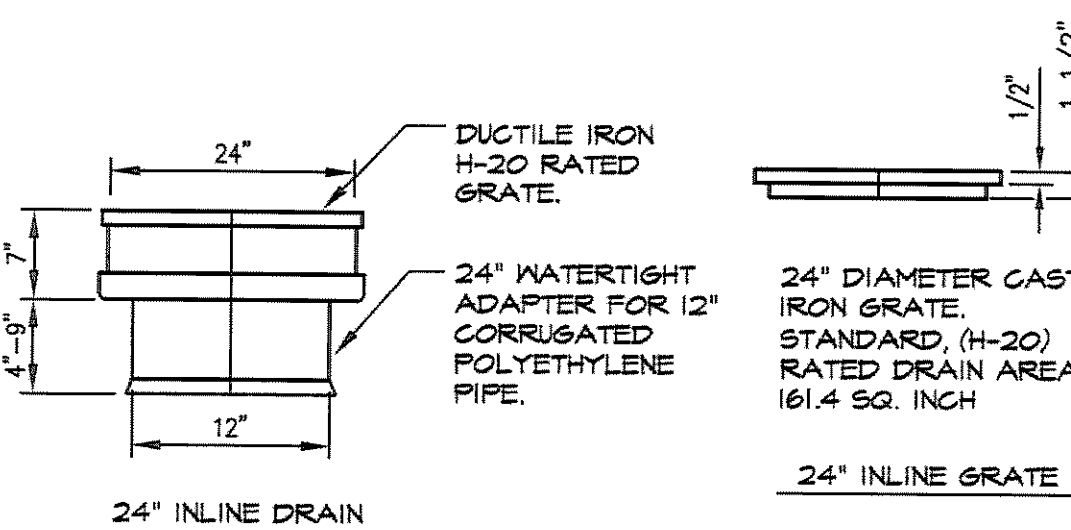
3 CATCH BASIN
SCALE: N.T.S.



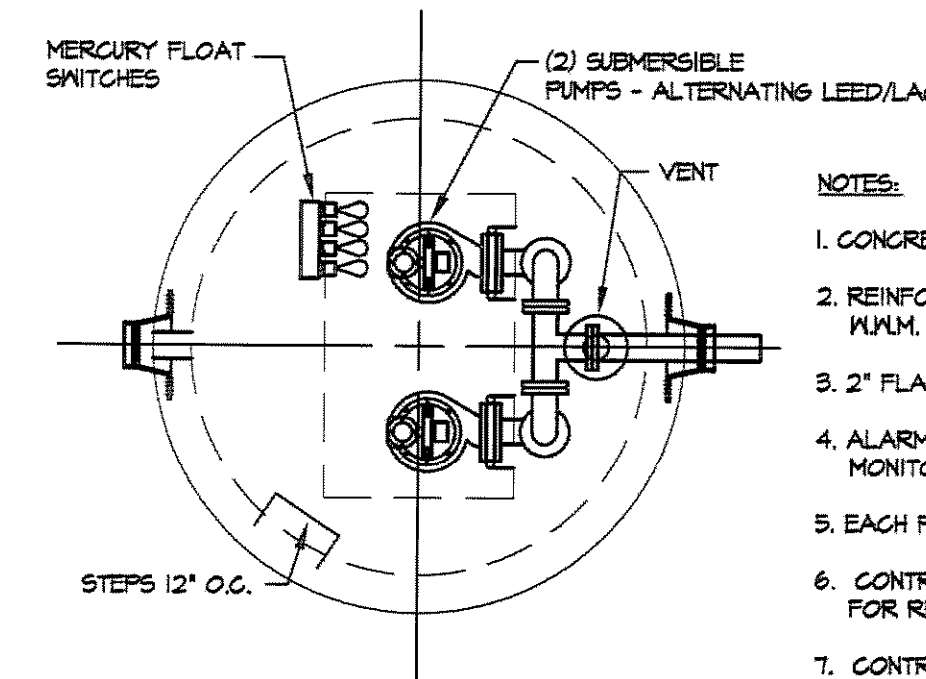
SIZE	A	B	C	D	E	F	G	H
12"	11-1/2"	20"	18"	8"	6-1/2"	18"	12-1/2"	13-3/8"

4 CASCO TRAP
SCALE: N.T.S.

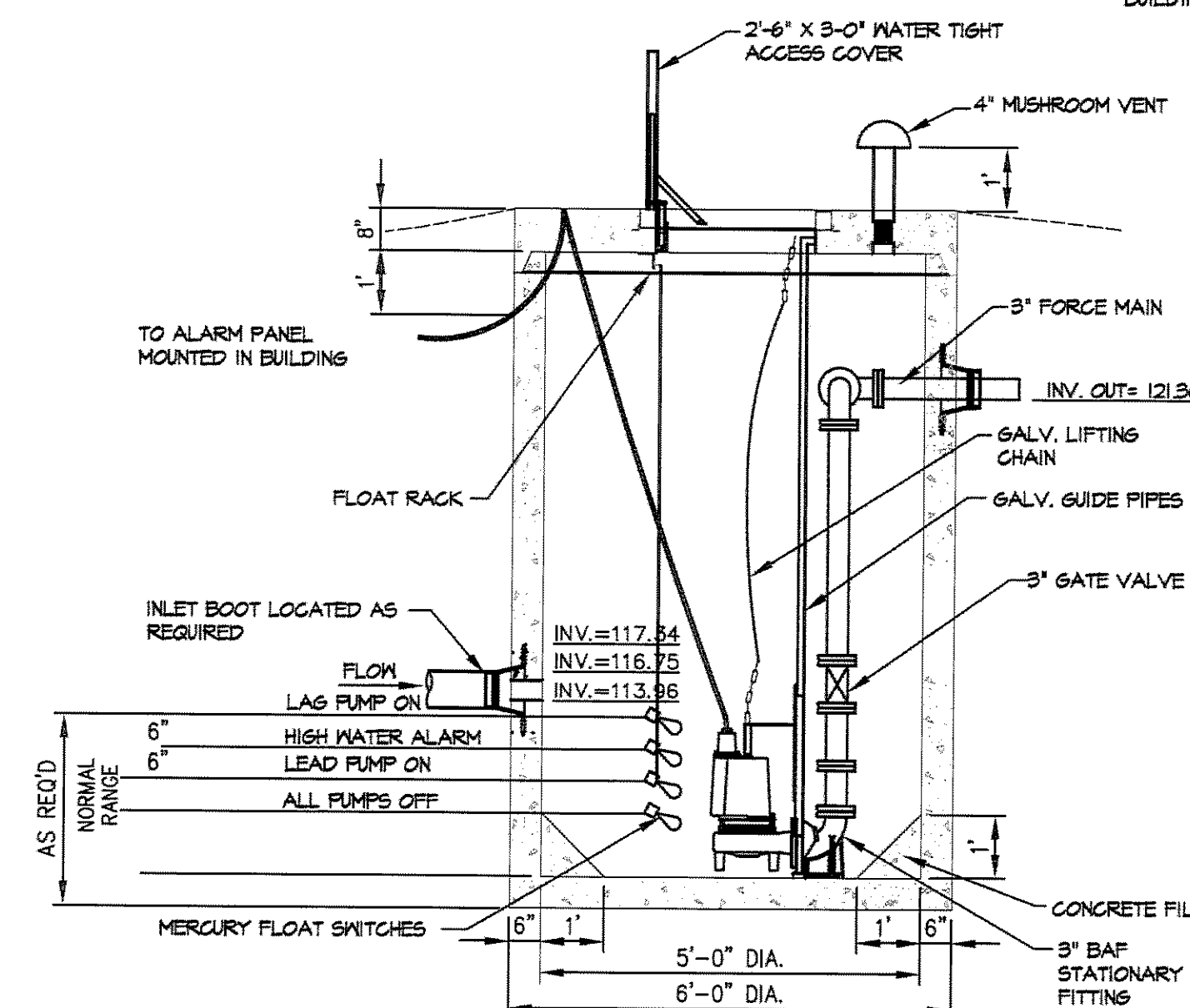
- NOTES:
1. INLINE DRAIN TO BE THE 2724AG12N, 24" DIAMETER PVC AS MANUFACTURED BY ADS 1-800-821-6710 OR APPROVED EQUAL.
 2. THE CONTRACTOR SHALL INSTALL THE INLINE DRAIN AS PER THE MANUFACTURER'S RECOMMENDATIONS AND AS SHOWN IN THE DRAWINGS.



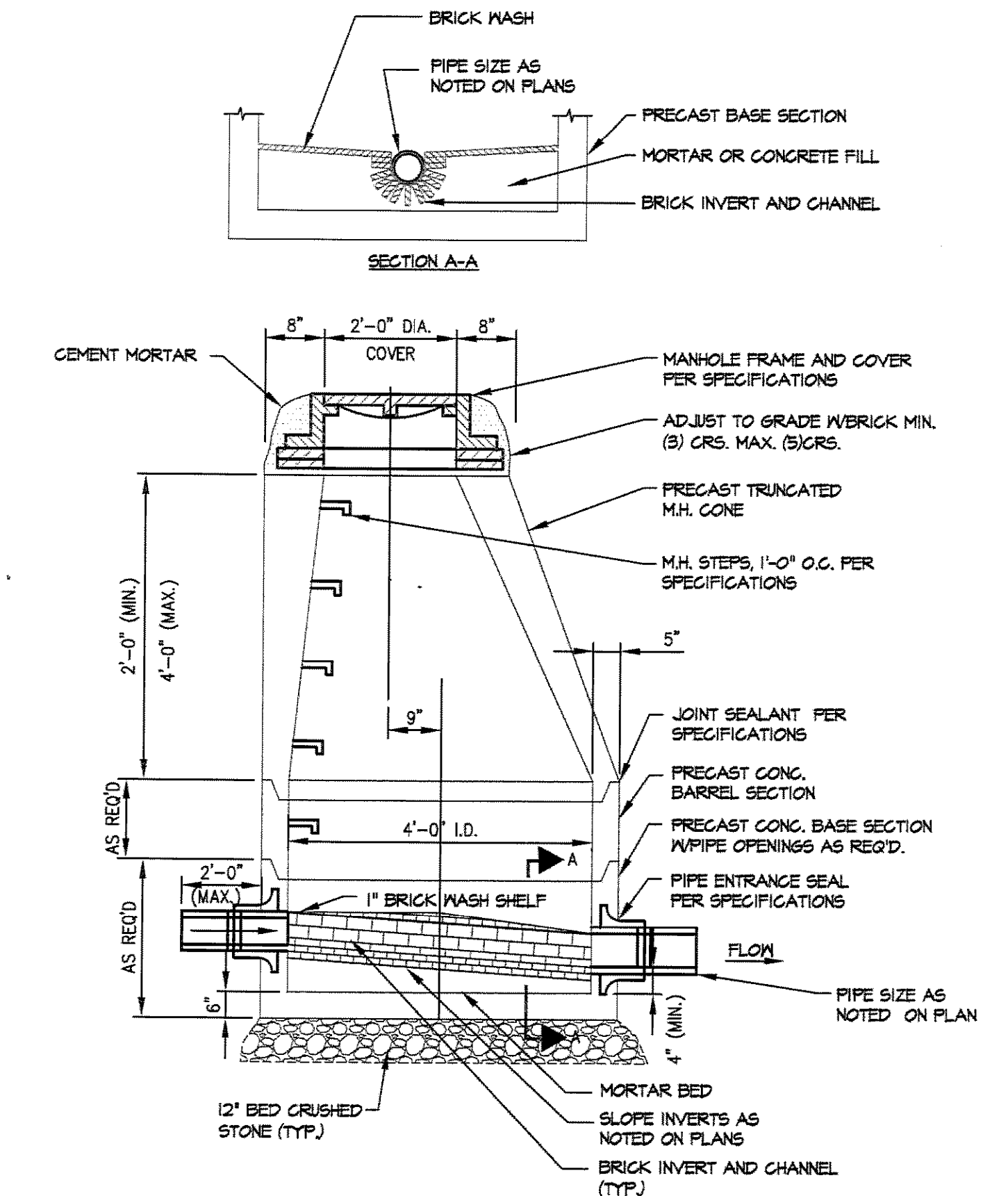
5 24" INLINE DRAIN AND GRATE
SCALE: NTS



- NOTES:
1. CONCRETE: 5000 P.S.I. AFTER 28 DAYS.
 2. REINFORCING: WALLS & FLOOR 4 X 4/4 X 4 MUM. SLAB TOP #5'S @ 8" O.C.
 3. 2" FLANGED PIPES AND VALVES.
 4. ALARM WIRED TO NOTIFY SECURITY MONITORING COMPANY.
 5. EACH PUMP TO BE SIZED TO PUMP 50 G.P.M.
 6. CONTRACTOR TO PROVIDE SHOP DRAWINGS FOR REVIEW PRIOR TO PURCHASING.
 7. CONTROL PANEL TO BE LOCATED INSIDE BUILDING - SEE MECHANICAL PLANS. SITE CONTRACTOR TO PROVIDE CONDUIT TO BUILDING FOR POWER SUPPLY.



6 STORMWATER PUMP STATION DETAIL
SCALE: N.T.S.



7 TYPICAL SANITARY MANHOLE
SCALE: N.T.S.

THIS PLAN SHALL NOT BE MODIFIED WITHOUT WRITTEN PERMISSION FROM SYTDDesign Consultants, ANY ALTERATIONS, OTHERWISE, SHALL BE AT THE USER'S SOLE RISK AND WITHOUT LIABILITY TO SYTDDesign Consultants.

REV.	DATE	STATUS	BY	CHKD.	APPD.	REV.	DATE	STATUS	BY	CHKD.	APPD.
G	12/20/07	SUBMITTED TO THE CITY OF PORTLAND FOR SITE PLAN REVIEW	PBB	PBB	TWS						
F	12/06/07	ISSUED FOR DESIGN DEVELOPMENT	WTE	PBB	TWS						
E	11/27/07	ISSUED TO ARCHITECT FOR CHECK SET	PBB	PBB	TWS	1	2/8/08	ISSUED FOR BID NOT FOR CONSTRUCTION	PBB	PBB	TWS
C	10/19/07	ISSUED FOR SCHEMATIC DESIGN	PBB	PBB	TWS	J	2/5/08	REVISED AND SUBMITTED TO THE CITY OF PORTLAND FOR SITE PLAN REVIEW	PBB	PBB	TWS
B	10/12/07	REVISED AND SUBMITTED TO THE CITY OF PORTLAND FOR SITE PLAN REVIEW	DEPT	PBB	TWS	I	1/24/08	PERMIT SET	PBB	PBB	TWS
A	09/04/07	SUBMITTED FOR SITE PLAN REVIEW	DAM	PBB	TWS	H	1/15/08	REVISED PER CITY OF PORTLAND PEER REVIEW COMMENTS	PBB	PBB	TWS
REV.	DATE	STATUS	BY	CHKD.	APPD.	REV.	DATE	STATUS	BY	CHKD.	APPD.

SYTDDesign CONSULTANTS
CIVIL ENGINEERING & LANDSCAPE ARCHITECTURE

RD. Box 88A
180 Longwoods Road
Cumberland, Maine 04021
tel.207.829.9994 fax.207.829.2231

CLIENT:
UNIVERSITY OF NEW ENGLAND
11 HILLS BEACH ROAD, BIDDEFORD, MAINE 04005

DESIGN: JAV	COLLEGE OF PHARMACY 716 STEVENS AVENUE, PORTLAND, MAINE 04103	
DRAWN: JAV	SITE DETAILS	
CHKD: ADJ	DATE: OCTOBER 2007	PROJ. NO. 06-21608
SCALE: N.T.S.	DWG. NO.	REV. 1
		C-302

Drawing Name: P:\WORK\PROJECTS\06-21608-0001 - College of Pharmacy\Site\0621608.Dwg Date: 1/16/08 7:08 AM / 18.25 Plt