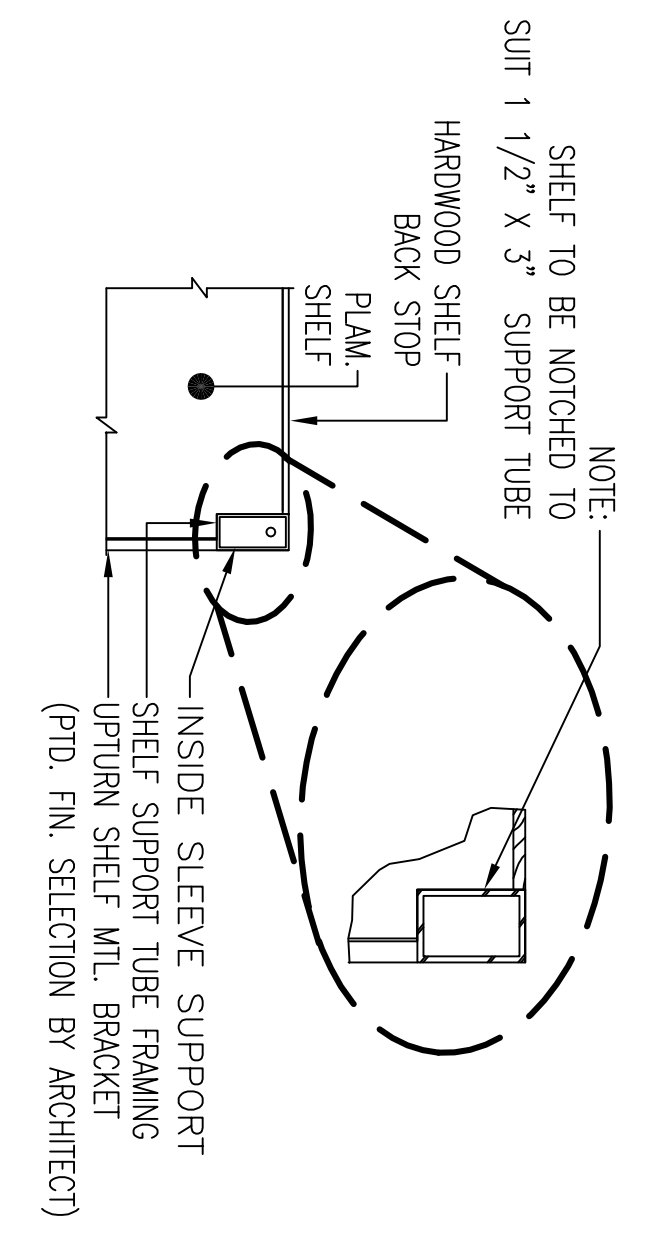
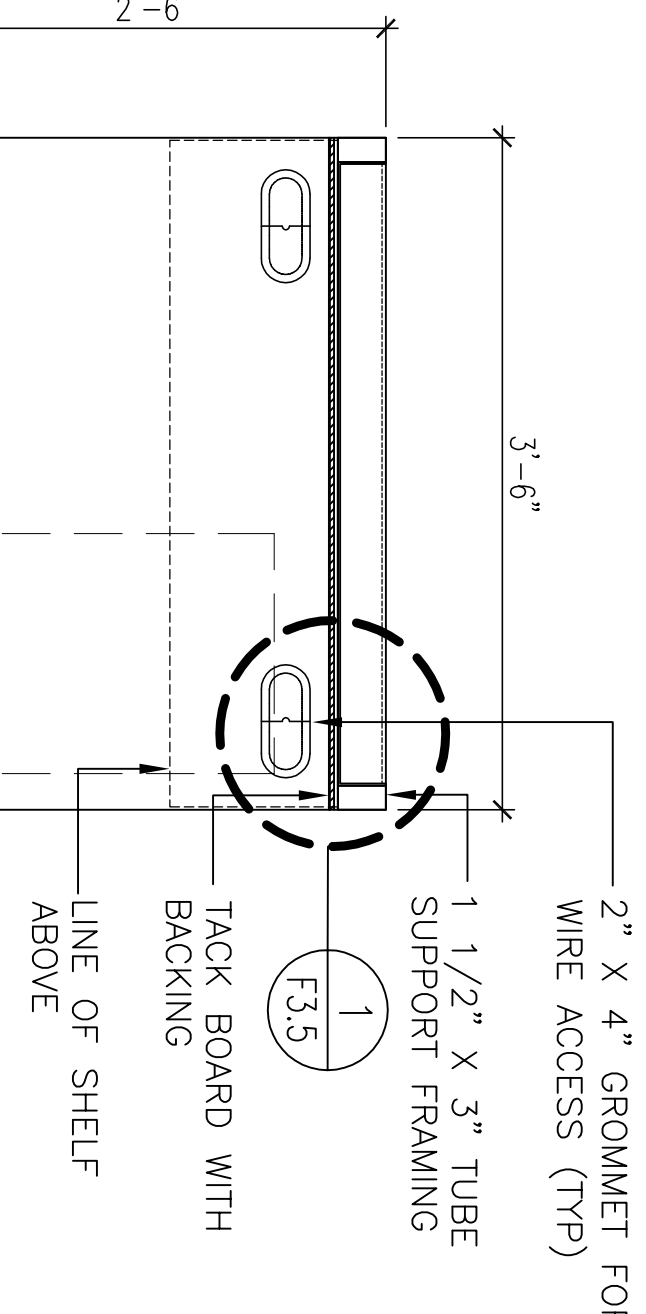
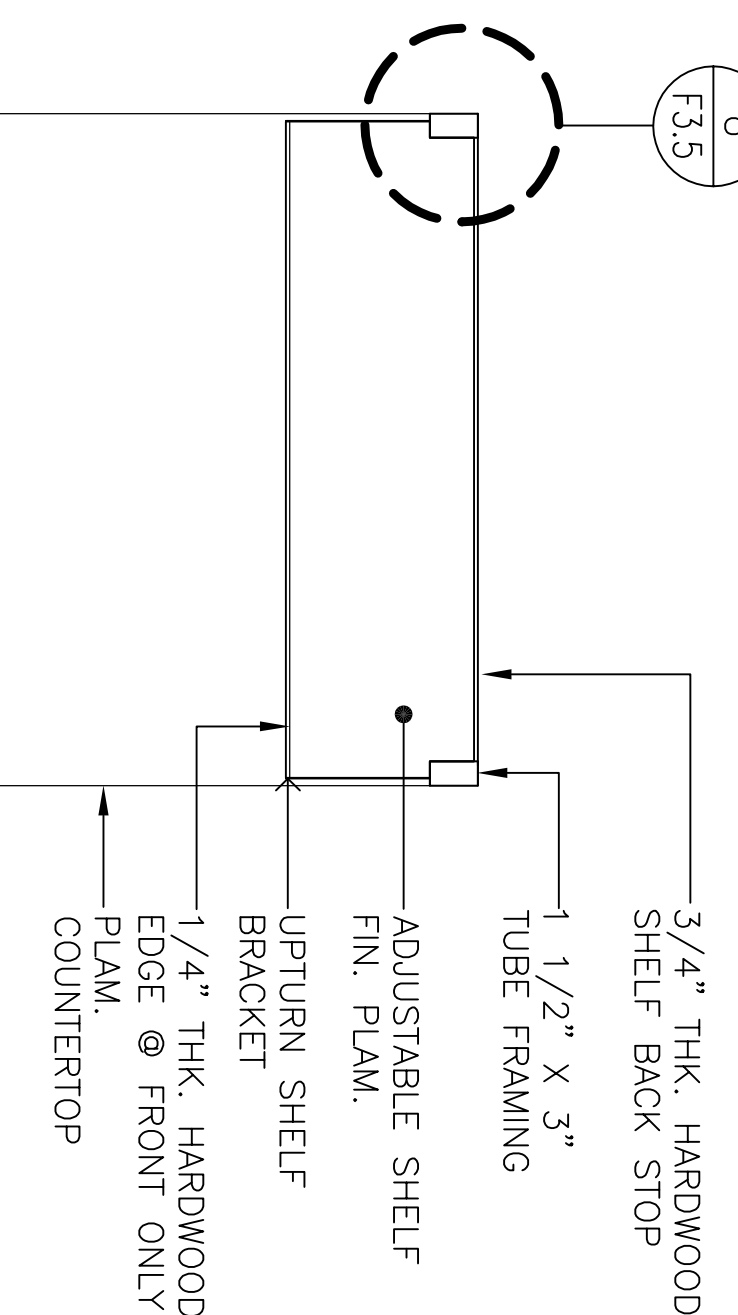


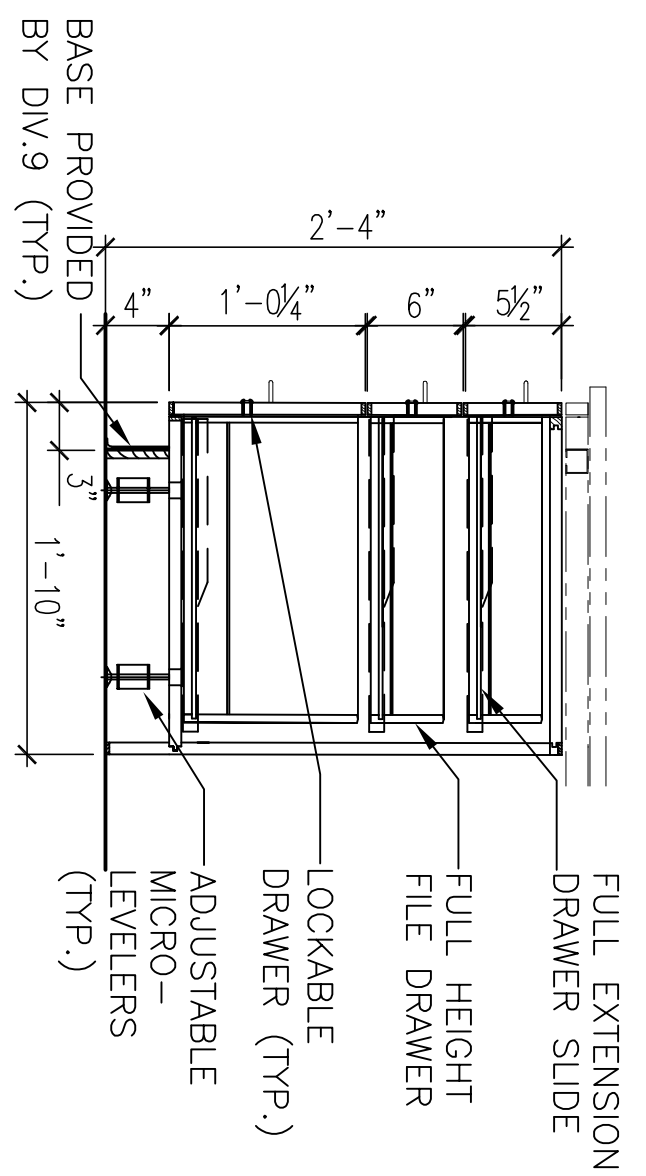
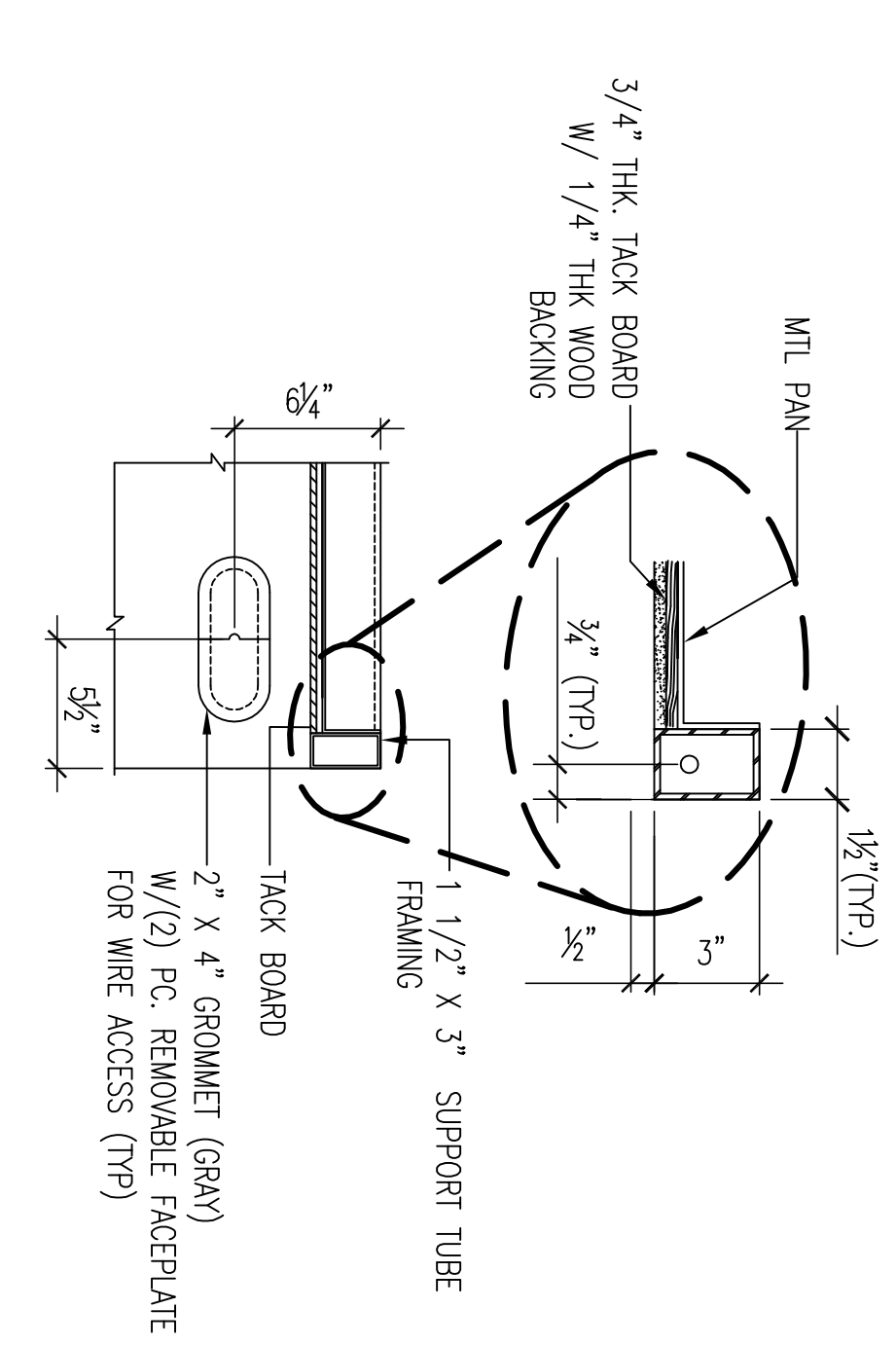
7 DETAIL-MTL MOUNTING
SCALE: 6\"/>



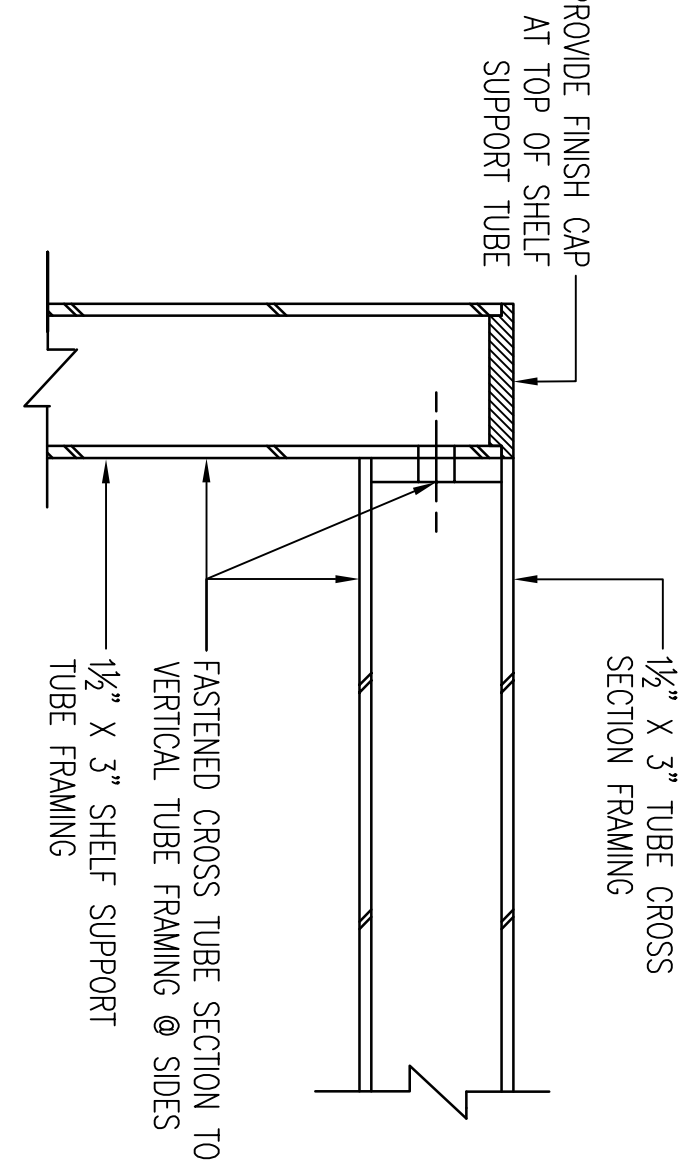
4 DETAIL-MTL MOUNTING
SCALE: 1 1/2\"/>



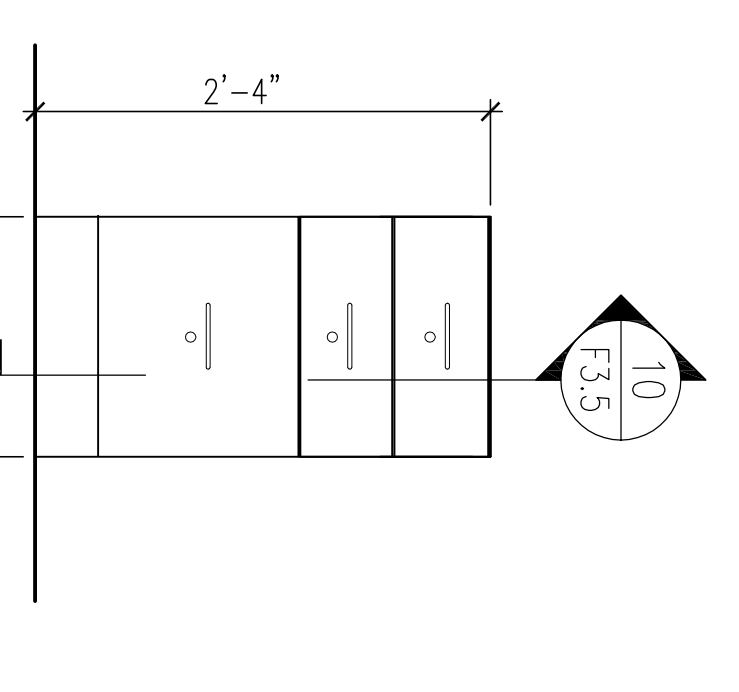
1 DETAIL-MLT SUPPORT
SCALE: 1 1/2\"/>



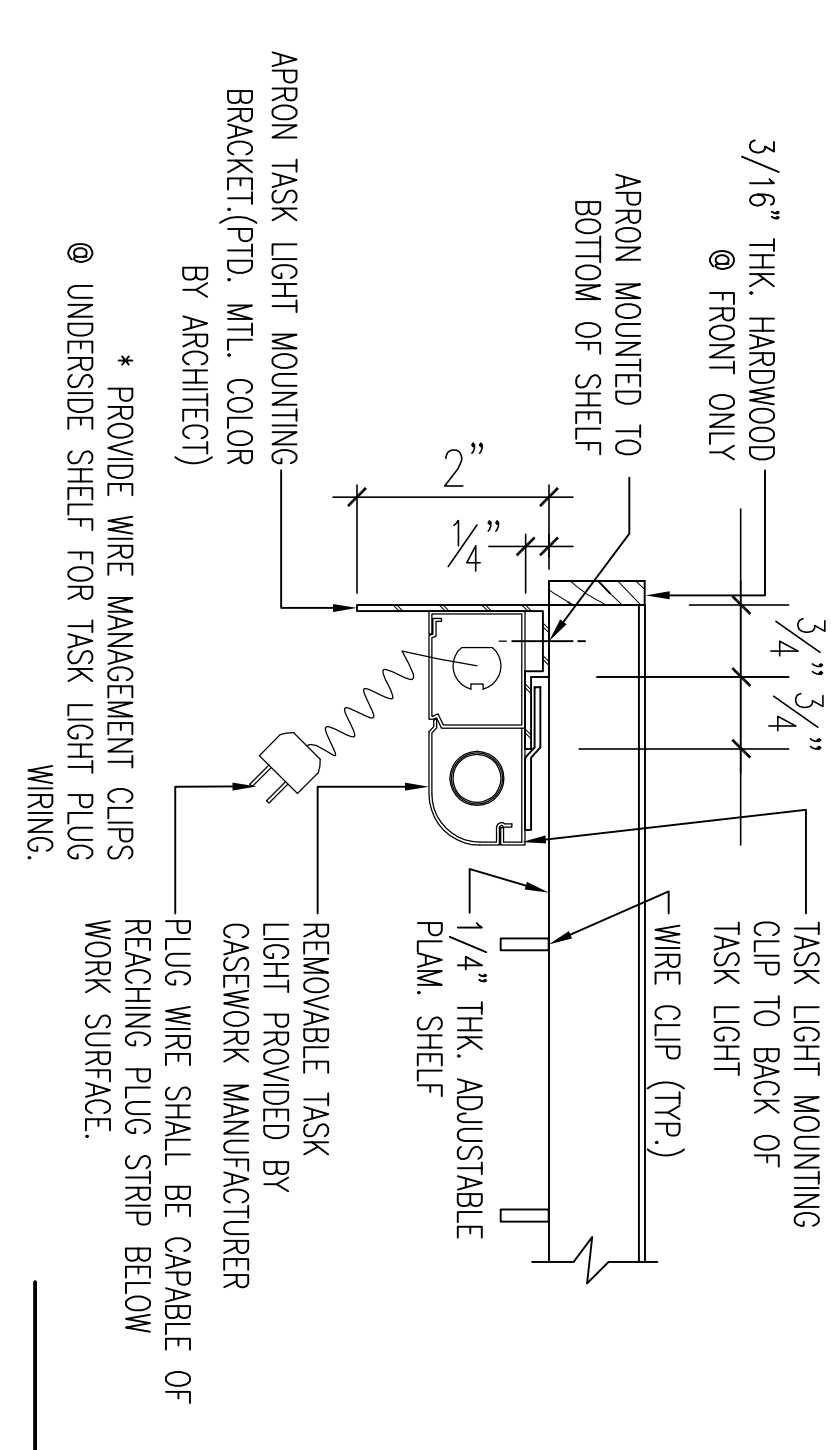
10 SECTION
SCALE: 1\"/>



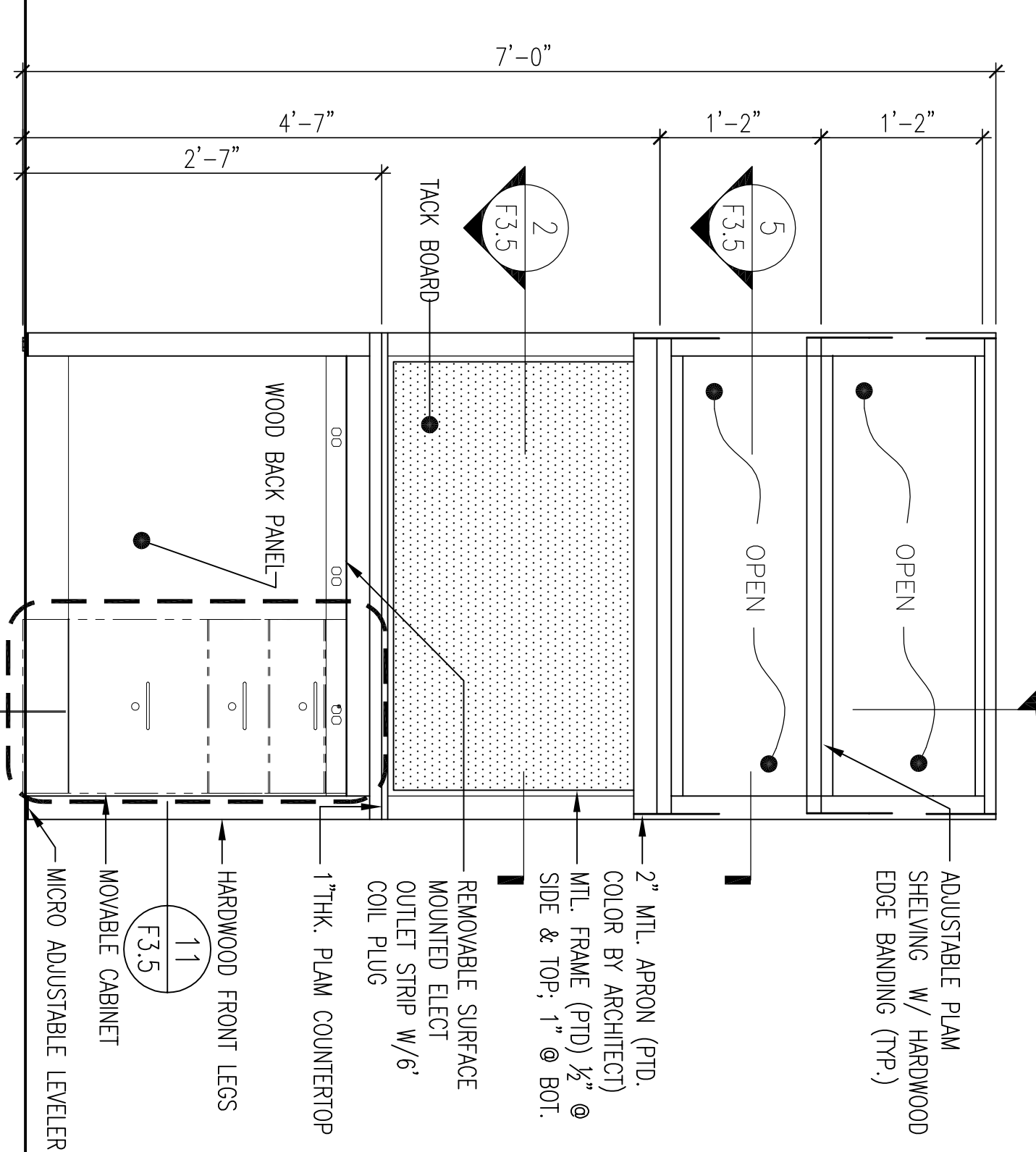
8 DETAIL-MTL MOUNTING
SCALE: 6\"/>



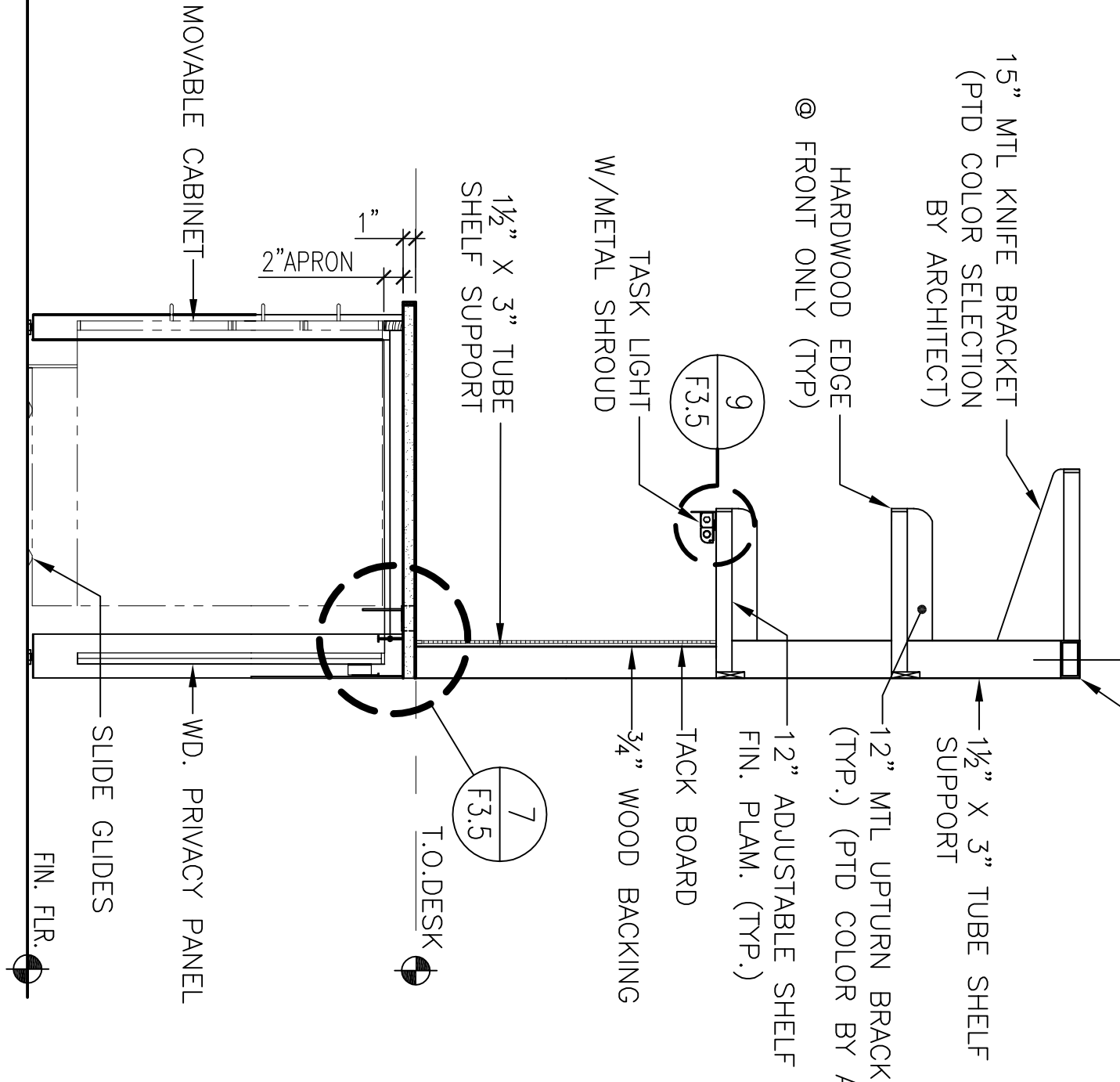
11 ELEVATION-BLE CABINET
SCALE: 1\"/>



9 DETAIL-TASK LIGHT
SCALE: 6\"/>



5 SECTION-PLAN
SCALE: 1\"/>



2 SECTION-PLAN
SCALE: 1\"/>

6 ELEVATION
SCALE: 1\"/>

3 SECTION
SCALE: 1\"/>

<p>PORT & GUTZ ARCHITECTURE 65 NEWBURY STREET PORTLAND, ME 04101 fax: 207.761.9000 http://portcityarch.com</p>	<p>JACOBS CONSULTANCY OUR EXCELLENCE. YOUR PARTNER.</p> <p>VANZBELM VANZBELM ENVIRONMENTAL & ENGINEERING, INC. 100 STATE STREET, 3RD FLOOR PORTLAND, ME 04101</p> <p>BECKER ENGINEERS, INC. 275 STATE STREET PORTLAND, ME 04101</p> <p>SYTDesign CONSULTANTS 5011 BRIMLEY STREET PORTLAND, ME 04103</p> <p>ALLIED/COOK CONSTRUCTION 1000 N. WASHINGTON ST. PORTLAND, ME 04102</p> <p>Rumyantsev 1000 N. WASHINGTON ST. PORTLAND, ME 04102</p> <p>UNIVERSITY OF NEW ENGLAND COLLEGE OF PHARMACY 716 STEVENS AVENUE, PORTLAND, ME</p>	<p>Drawn By: _____ Checked By: _____ Date: 11/21/07 Project Number: 065906</p> <p>WORKSTATION DETAILS</p> <p>F3.5</p>	<p>Copyright: Reuse or reproduction of the contents of this document is not permitted without written permission of PORT CITY ARCHITECTURE, PA.</p> <p>BID SET - NOT FOR CONSTRUCTION</p>	
				<p>SHEET NAME</p>
				<p># DATE DESCRIPTION</p>