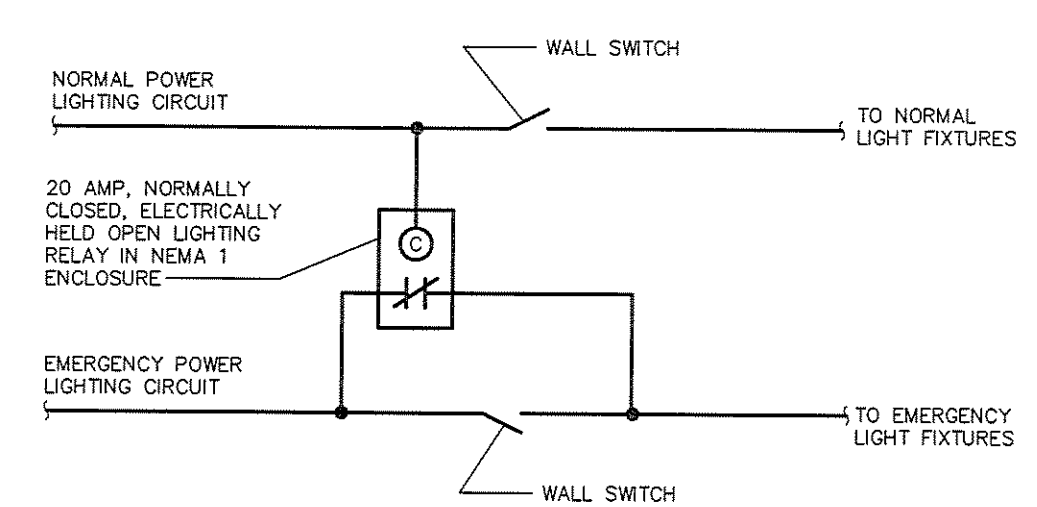
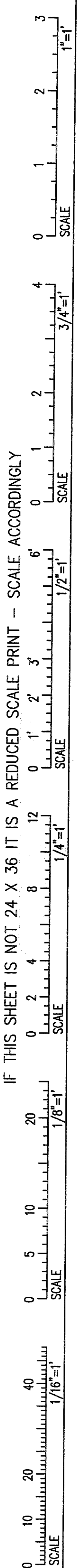
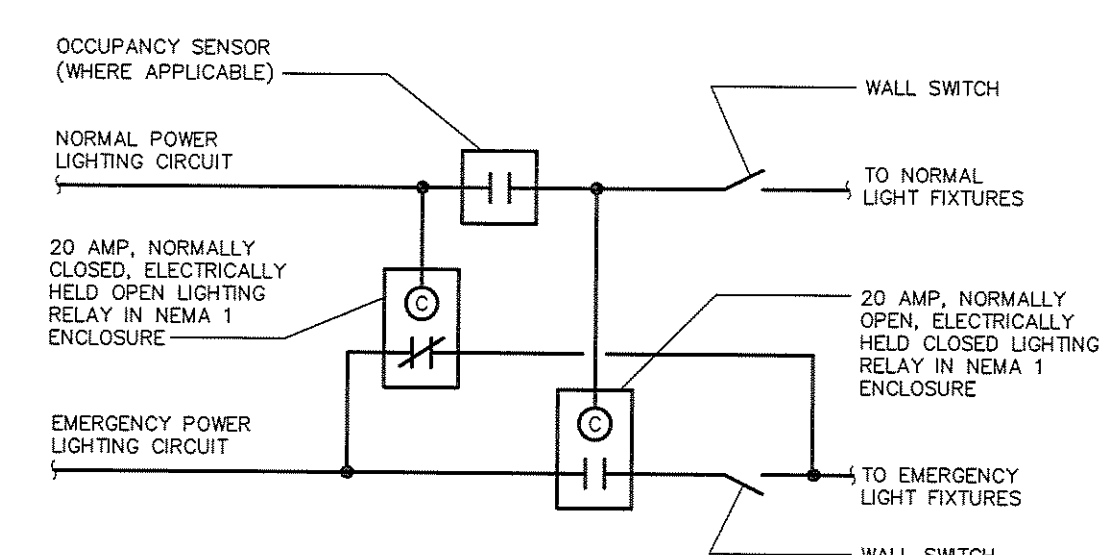


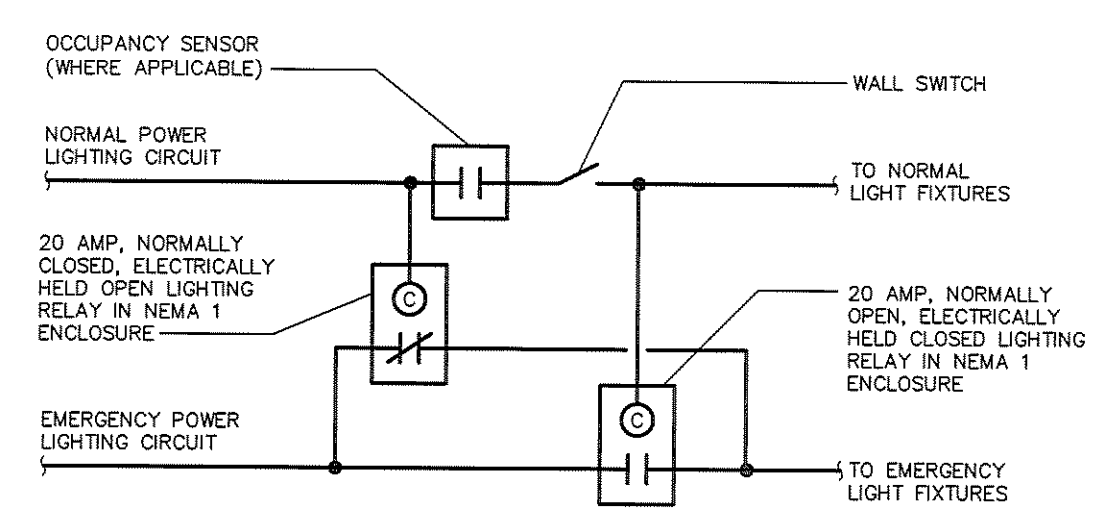
IF THIS SHEET IS NOT 24 X 36 IT IS A REDUCED SCALE PRINT -- SCALE ACCORDINGLY



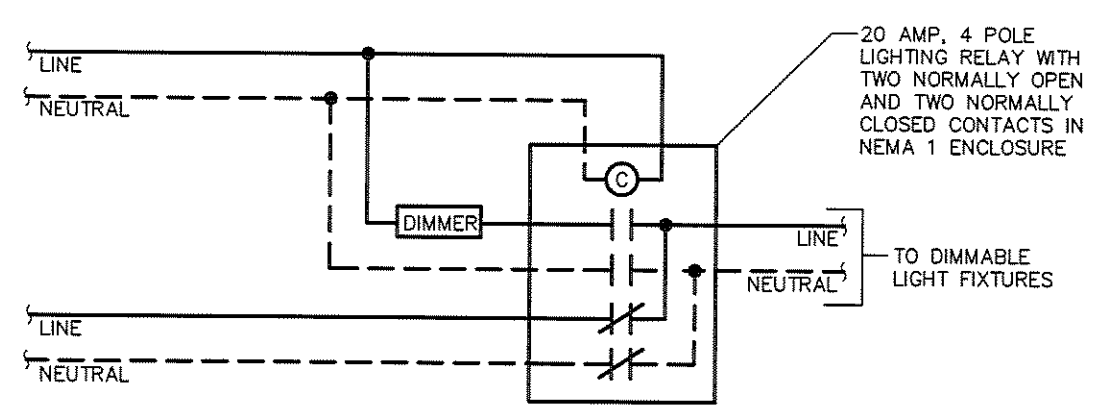
NORMAL/EMERGENCY LIGHTS ON SEPARATE CONTROL
N.T.S.



NORMAL/EMERGENCY LIGHTS ON OCCUPANCY SENSOR CONTROL WITH SEPARATE OVERRIDE OFF SWITCHES
N.T.S.

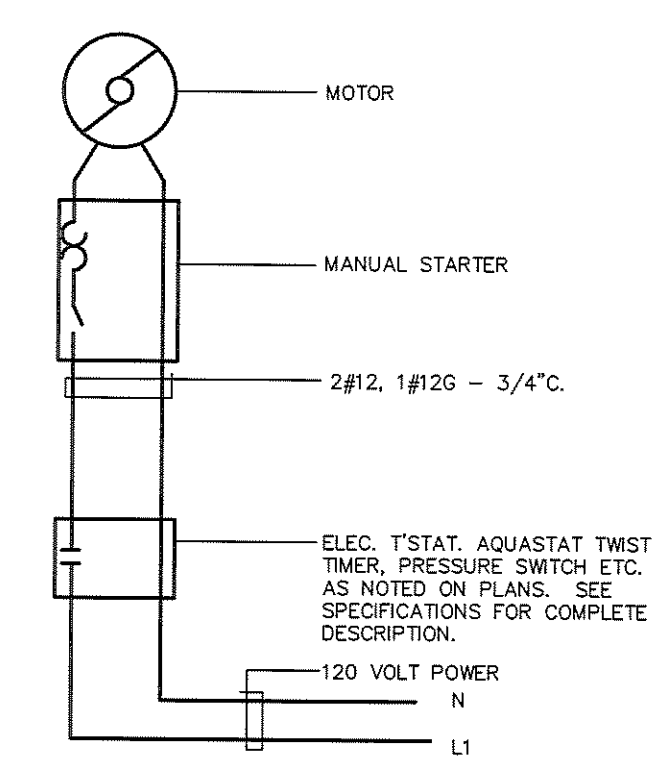


NORMAL/EMERGENCY LIGHTS ON SINGLE CONTROL
N.T.S.

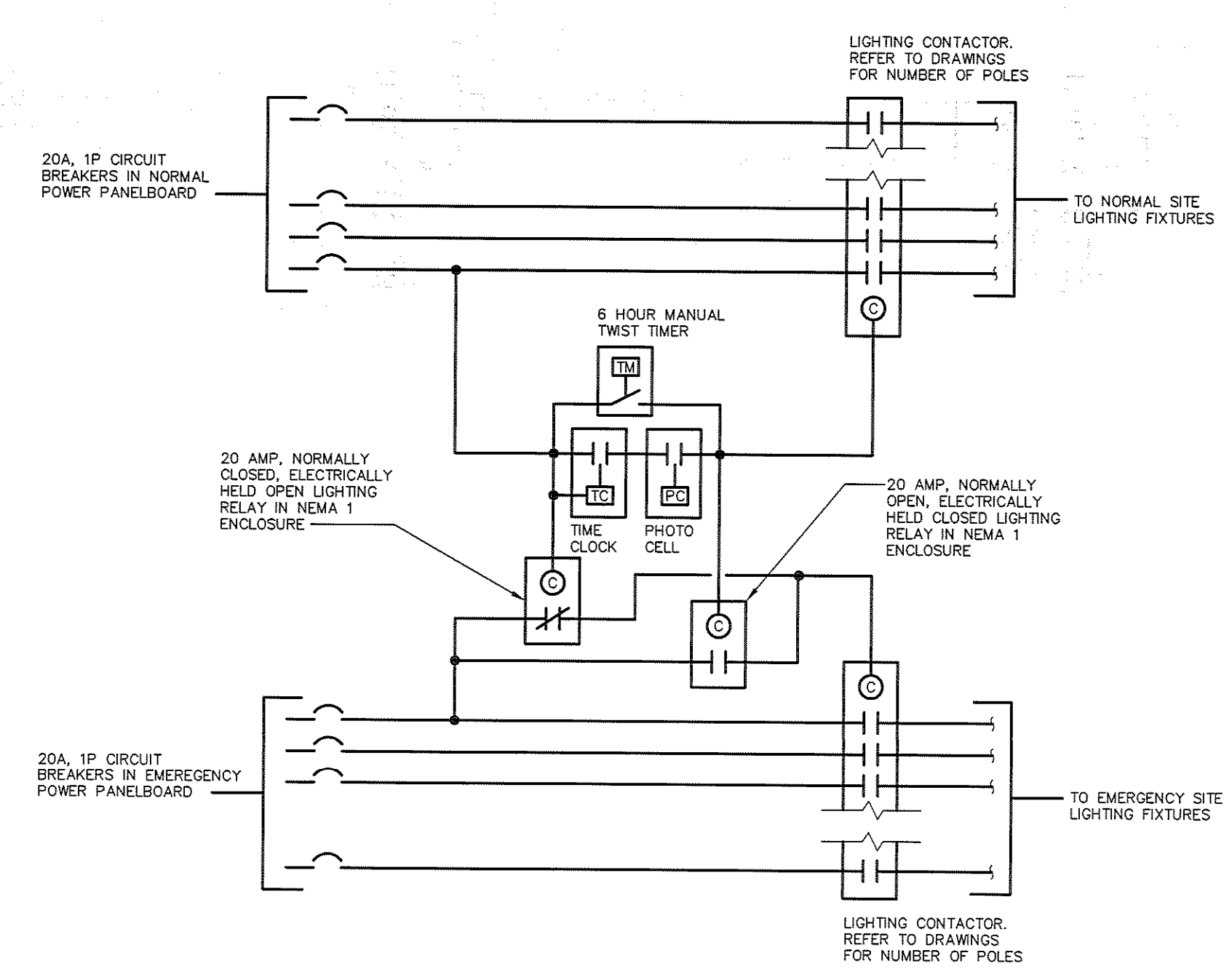


NORMAL/EMERGENCY LIGHTS ON DIMMER CONTROL
N.T.S.

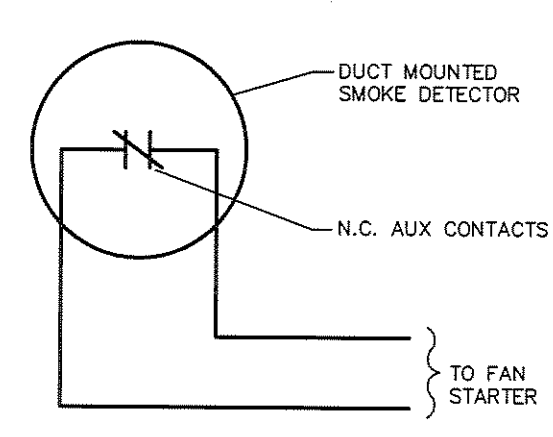
TYPICAL NORMAL/EMERGENCY LIGHT CONTROL WIRING DIAGRAM
N.T.S.



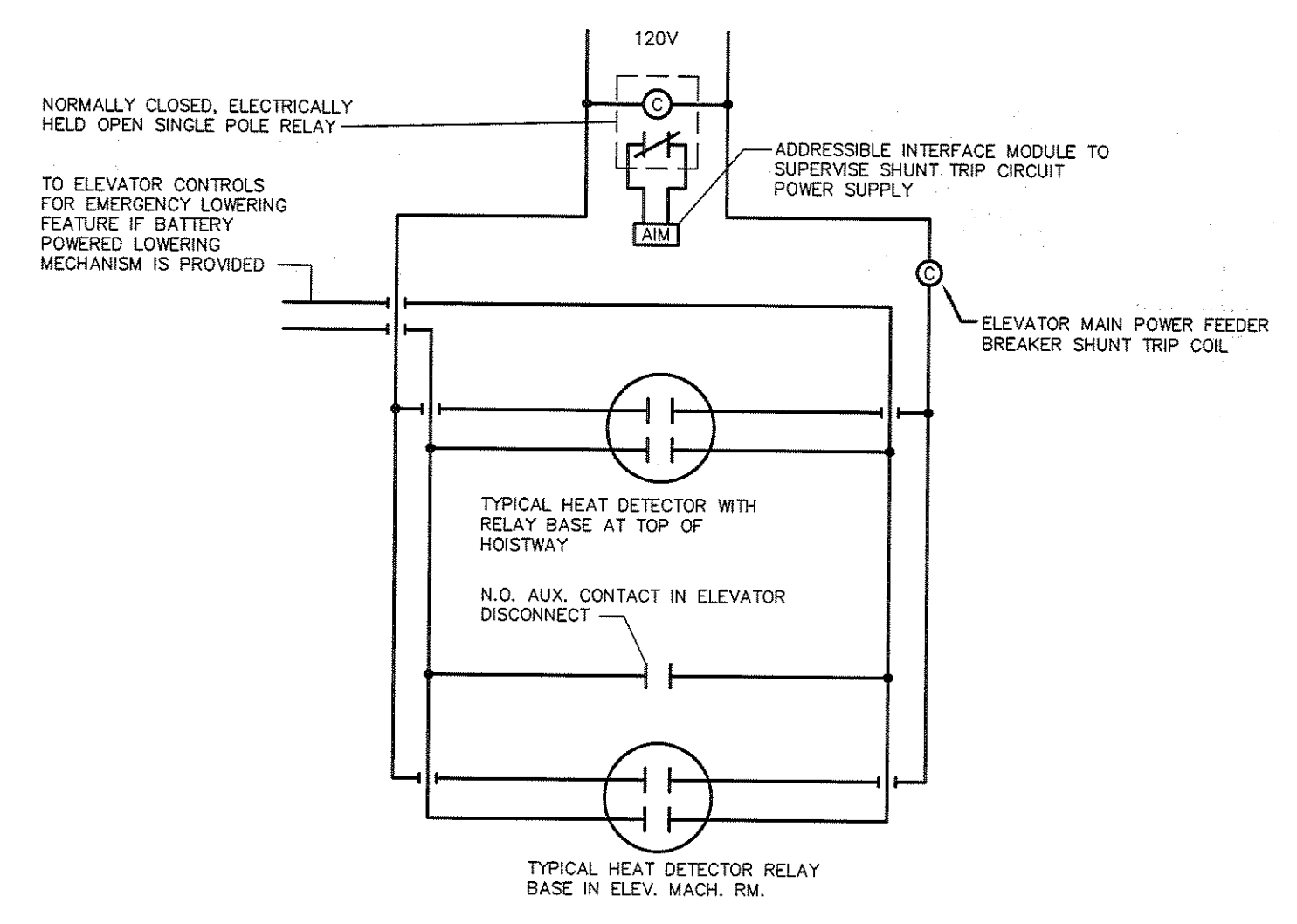
TYPICAL FRACTIONAL HP FCU, CUH, UH OR EF WIRING DIAGRAM
N.T.S.



SITE LIGHT CONTROL WIRING DIAGRAM
N.T.S.

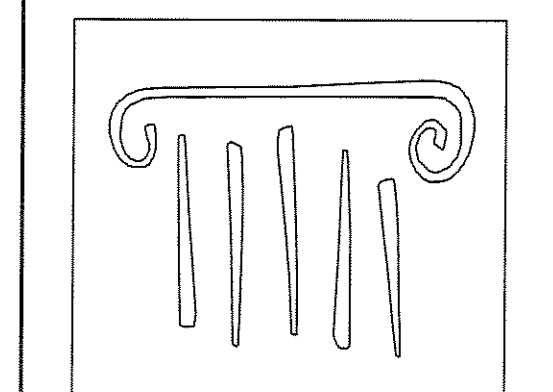


LOCAL FAN SHUTDOWN SYSTEM
N.T.S.



- NOTES:
1. RELAY BASE AUXILIARY CONTACTS ARE WIRED IN PARALLEL SO THAT ANY (1) INITIATING DEVICE WILL ACTIVATE SHUNT TRIP.

ELEVATOR MAIN POWER FEEDER DISCONNECT
N.T.S.



PORT CITY ARCHITECTURE

65 NEWBURY STREET
PORTLAND, ME 04101
207.761.9000
fax: 207.761.2010
lita@portcityarch.com

VANZELM ENGINEERS

VANZELM HEYWOOD & SHADFORD, INC.
10 TALCOTT NOTCH FARMINGTON, CT 06032
TEL: (860) 284-5001 FAX: (860) 284-5005

PROJECT NO.: 2007120.00

BECKER structural engineers, inc.

SYTDesign CONSULTANTS
CIVIL ENGINEERING & LANDSCAPE ARCHITECTURE

ALLIED/COOK CONSTRUCTION

Favreau

Titan Mechanical Inc.
Design-Build Engineering - Mechanical Consulting

UNIVERSITY OF NEW ENGLAND

COLLEGE OF PHARMACY

716 STEVENS AVENUE,
PORTLAND, ME

DATE	DESCRIPTION
	BID SET
Date Issued	02/08/08
Project Number	06506

SHEET NAME
ELECTRICAL DETAILS

Drawn By
AMM
Checked By
MER

E5.1

BID SET - NOT FOR CONSTRUCTION