

PORT CITY ARCHITECTURE

65 NEWBURY STREET
 PORTLAND, ME 04101
 207.761.9000
 fax: 207.761.2010
 lita@portcityarch.com

VANZELM ENGINEERS

VANZELM HEYWOOD & SHADFORD, INC.
 18 TALCOTT NOTCH FARMINGTON, CT 06032
 TEL: (860) 284-2064 FAX: (860) 284-2068

PROJECT NO.: 2007120.00

BECKER structural engineers, inc.

SYTDesign CONSULTANTS
 CIVIL ENGINEERING & LANDSCAPE ARCHITECTURE

ALLIED/COOK CONSTRUCTION

Favreau

Titan Mechanical, Inc.
 Design/Build Engineering - Mechanical Contracting

UNIVERSITY OF NEW ENGLAND

COLLEGE OF PHARMACY

716 STEVENS AVENUE,
 PORTLAND, ME

#	DATE	DESCRIPTION
		BID SET
	02/08/08	Date Issued
	06506	Project Number

SHEET NAME
MECHANICAL SYSTEMS CONTROL DIAGRAMS

Drawn By
 ANM
 Checked By
 DWM/PEH

M5.3

IF THIS SHEET IS NOT 24 X 36 IT IS A REDUCED SCALE PRINT - SCALE ACCORDINGLY

3
2
1
0
SCALE 1"=1'

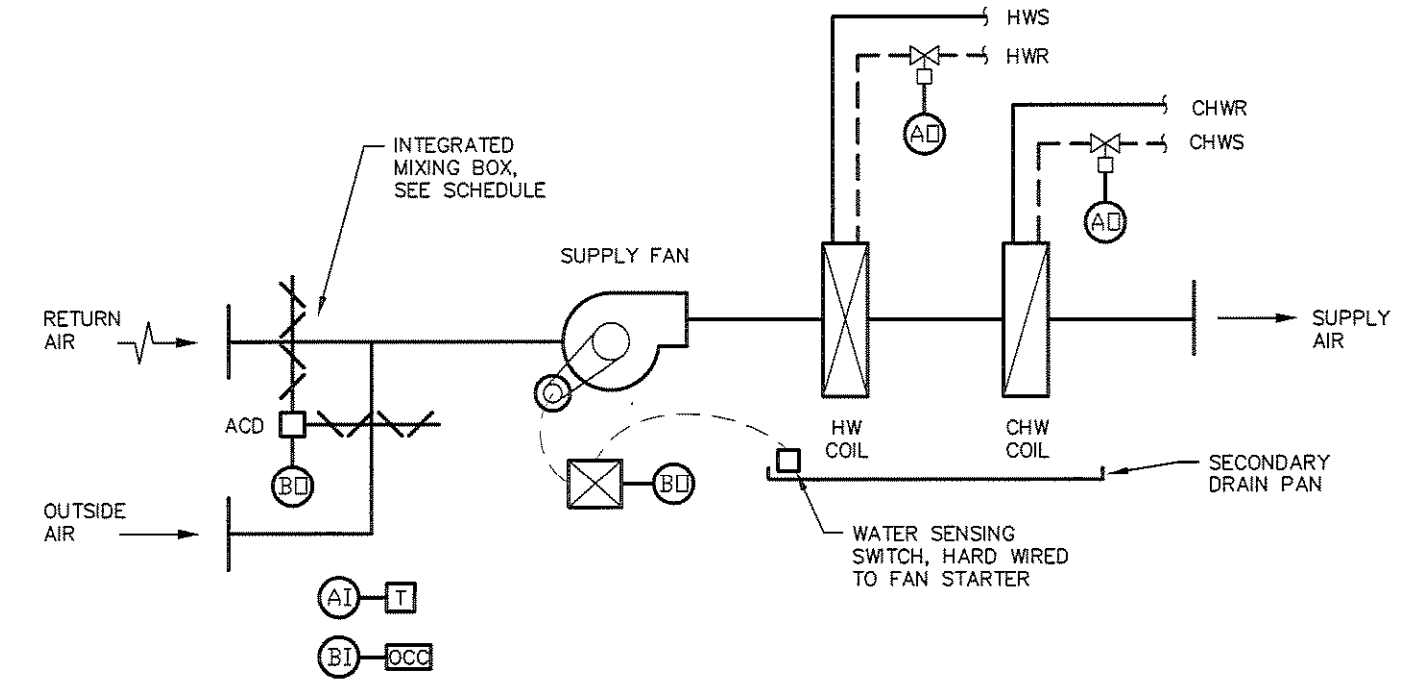
4
3
2
1
0
SCALE 3/4"=1'

6
3
2
1
0
SCALE 1/2"=1'

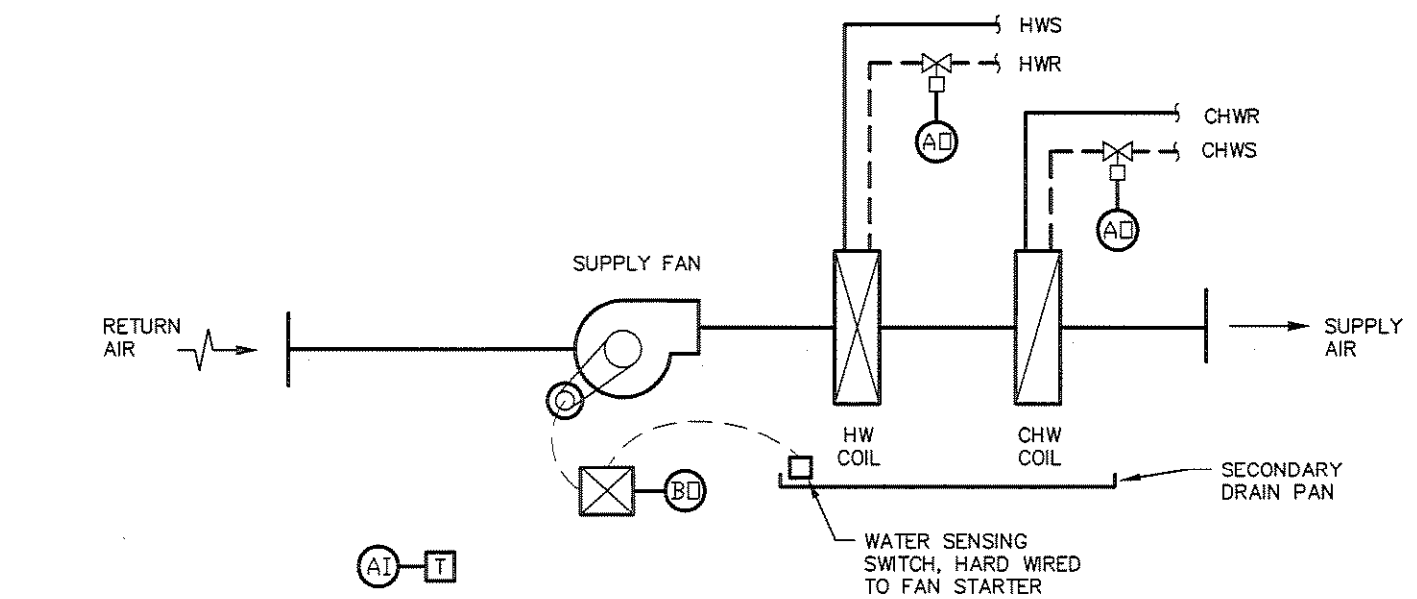
12
8
4
0
SCALE 1/4"=1'

20
10
5
0
SCALE 1/8"=1'

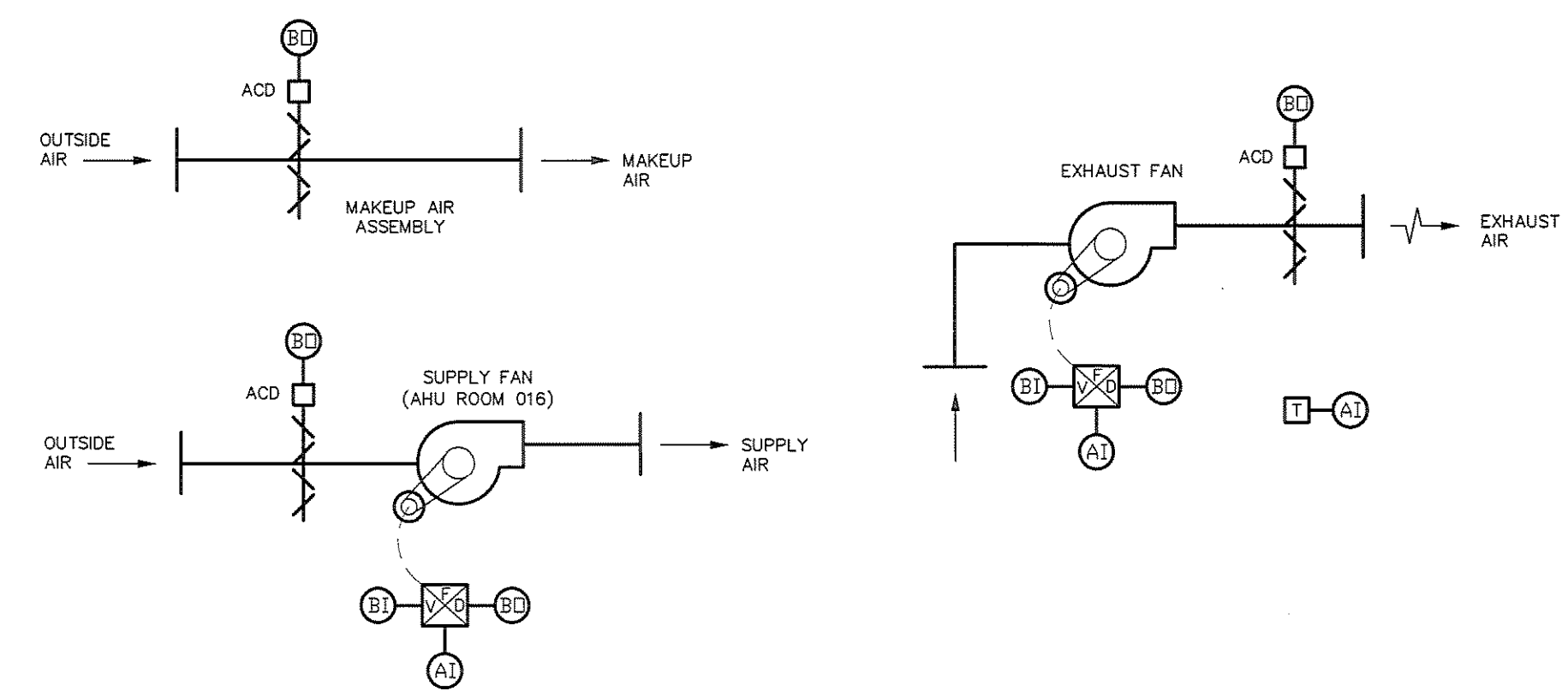
40
20
10
0
SCALE 1/16"=1'



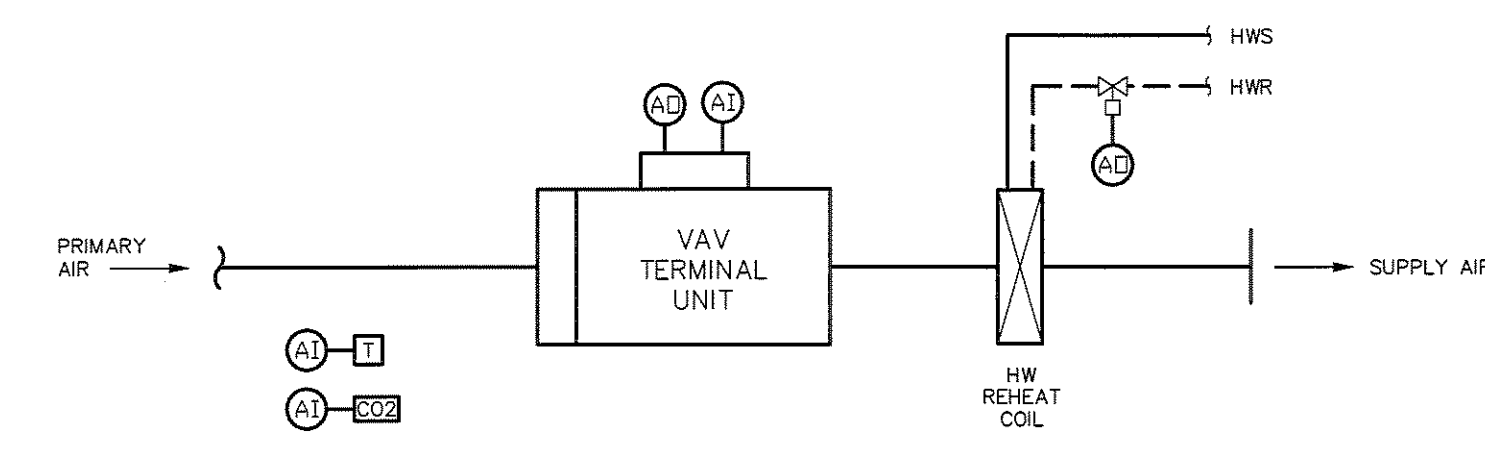
HORIZONTAL FAN COIL UNIT CONTROL DIAGRAM
 NOT TO SCALE



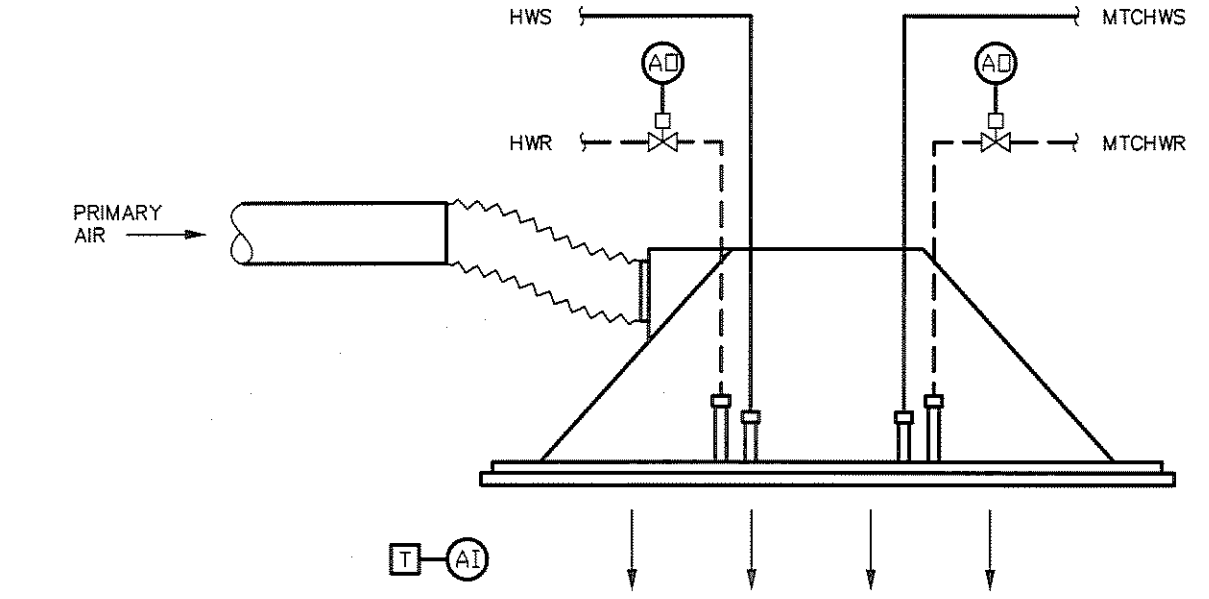
VERTICAL FAN COIL UNIT CONTROL DIAGRAM
 NOT TO SCALE



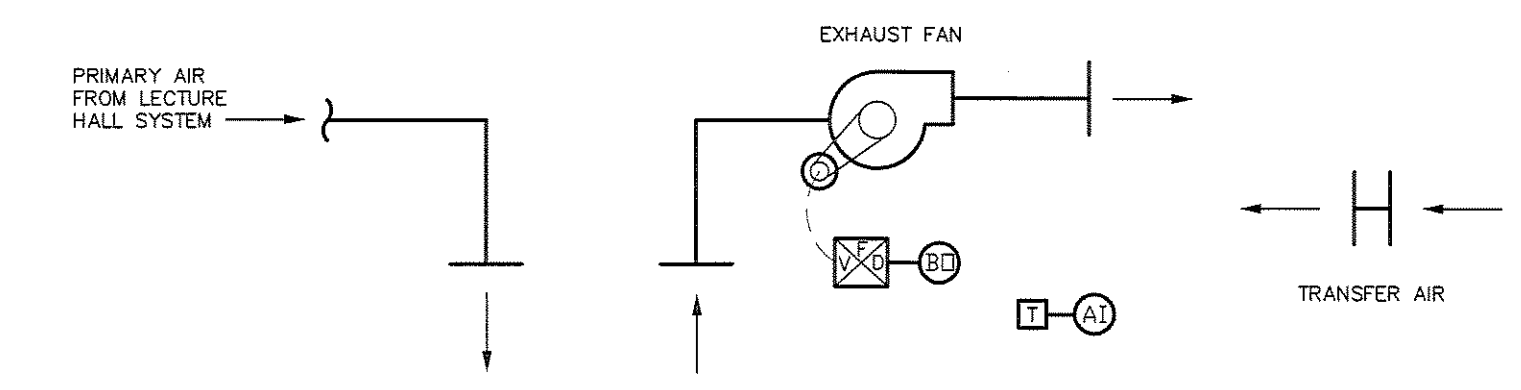
GENERAL EXHAUST CONTROL DIAGRAM
 NOT TO SCALE
 TYPICAL FOR ELECI 017, ELECI 018, AHU ROOM 016, AND MEZZ 401



VAV TERMINAL UNIT CONTROL DIAGRAM
 NOT TO SCALE



CHILLED BEAM CONTROL DIAGRAM
 NOT TO SCALE



CONTROL ROOM 133 CONTROL DIAGRAM
 NOT TO SCALE

BID SET - NOT FOR CONSTRUCTION

