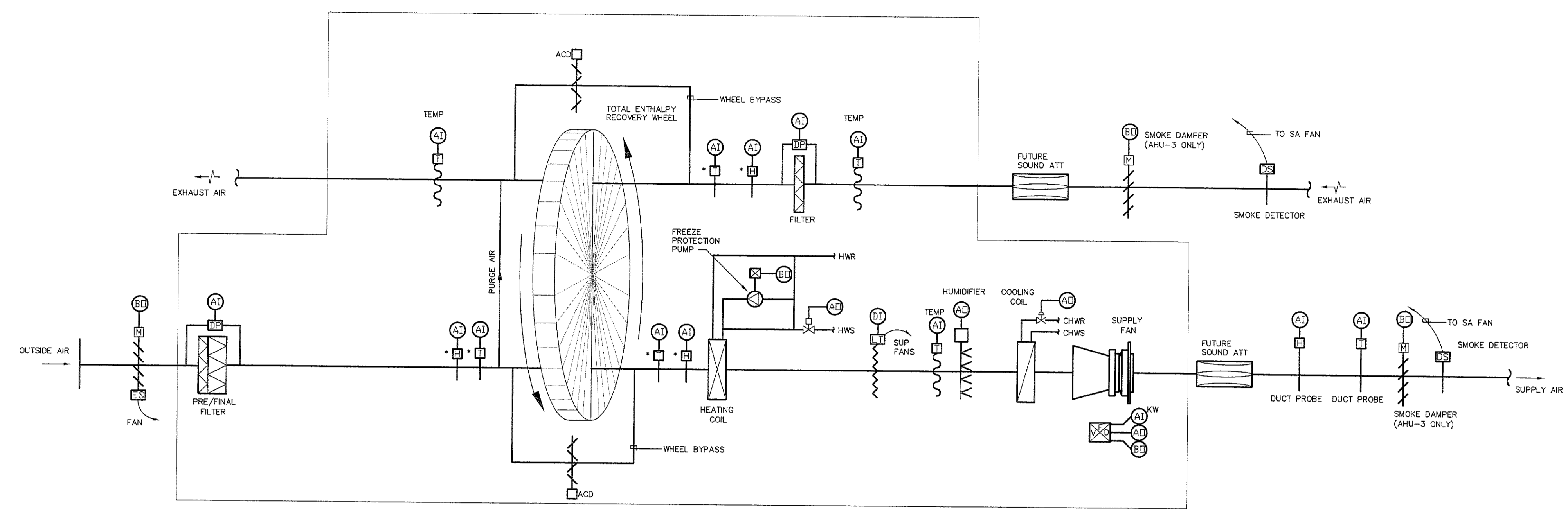
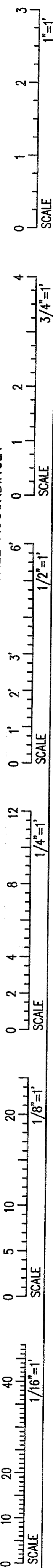
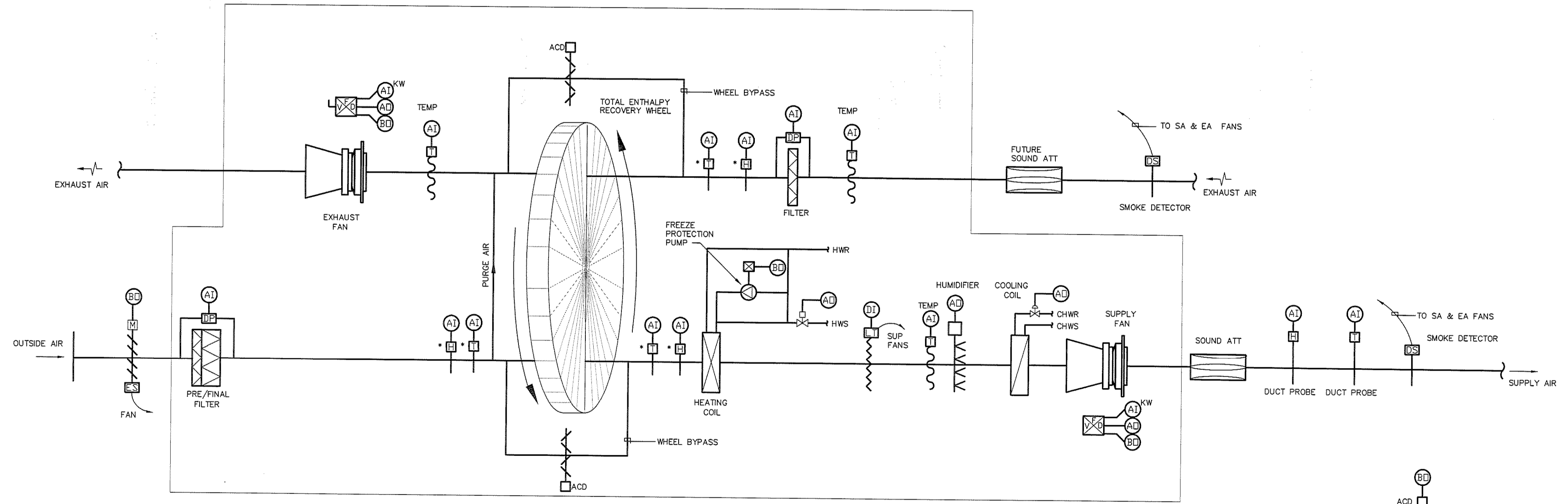


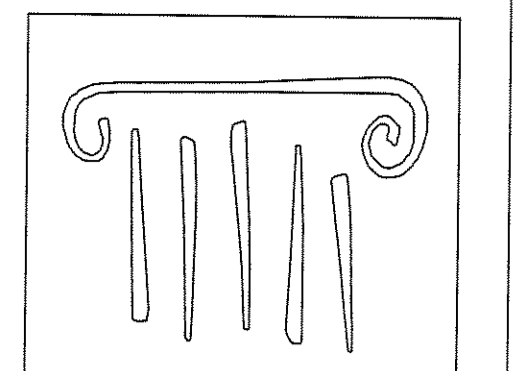
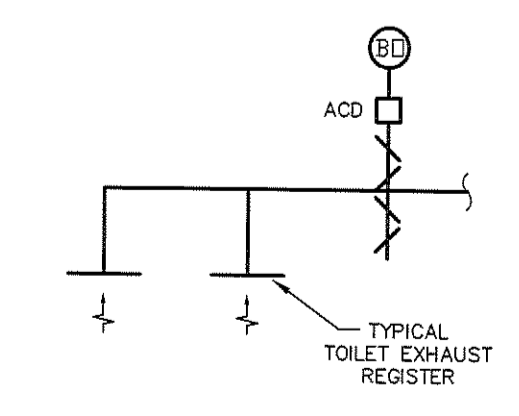
IF THIS SHEET IS NOT 24 X 36 IT IS A REDUCED SCALE PRINT - SCALE ACCORDINGLY



**TYPICAL HEAT RECOVERY AIR HANDLING UNIT
CONTROL DIAGRAM (AHU-1, & 3)**
NOT TO SCALE
*MATCHED SENSORS FOR BTU MEASUREMENTS



**TYPICAL HEAT RECOVERY AIR HANDLING UNIT
CONTROL DIAGRAM (AHU-2)**
NOT TO SCALE
*MATCHED SENSORS FOR BTU MEASUREMENTS



**PORT CITY
ARCHITECTURE**

65 NEWBURY STREET
PORTLAND, ME 04101
207.761.9000
fax: 207.761.2010
lita@portcityarch.com

**VANZELM
ENGINEERS**

VANZELM HEYWOOD & SHADFORD, INC.
10 TALECOTT NOTCH FARMINGTON, CT 06032
TEL: (860) 284-3064 FAX: (860) 284-3068

PROJECT NO.: 2007120.00

BECKER
structural engineers, inc.

**SYTDDesign
CONSULTANTS**
CIVIL ENGINEERING & LANDSCAPE ARCHITECTURE

**ALLIED/COOK
CONSTRUCTION**

Favreau
DESIGN

Titan Mechanical, Inc.
Design-Build Engineering - Mechanical Contracting

UNIVERSITY OF NEW ENGLAND

COLLEGE OF PHARMACY

**716 STEVENS AVENUE,
PORTLAND, ME**

#	DATE	DESCRIPTION
		BID SET
		Date Issued 02/08/08
		Project Number 06506

SHEET NAME	
MECHANICAL SYSTEMS CONTROL DIAGRAMS	

Drawn By	AIMM
Checked By	DWM/FB4

M5.1



BID SET - NOT FOR CONSTRUCTION