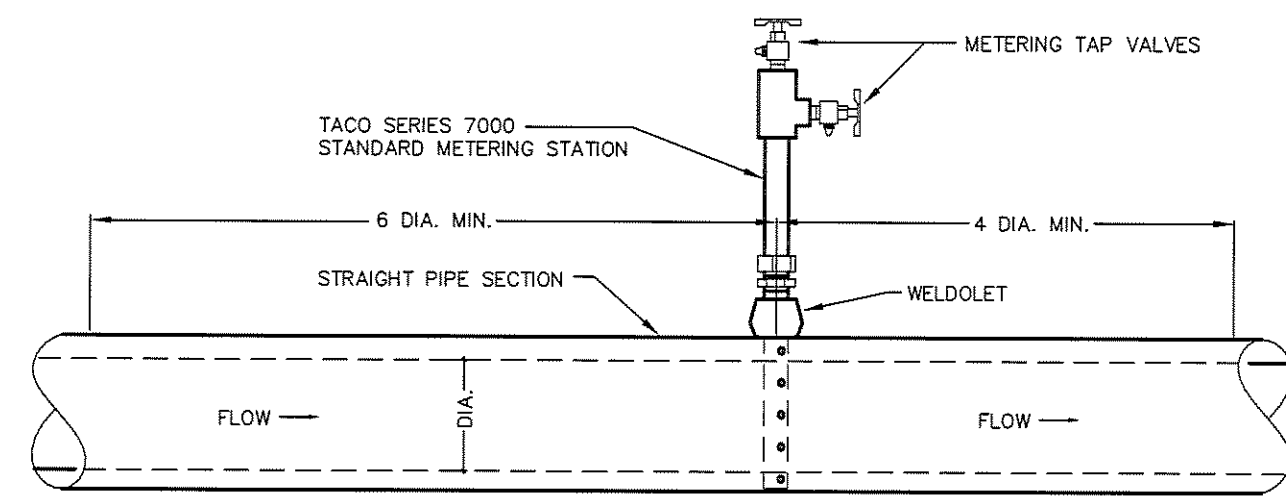
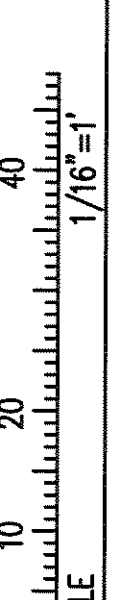
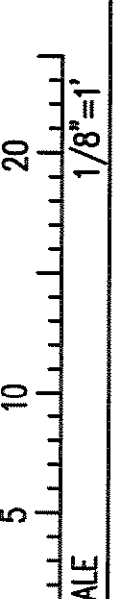
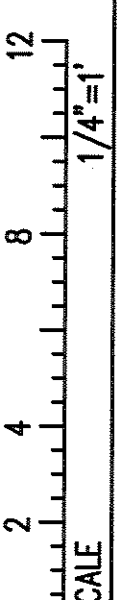
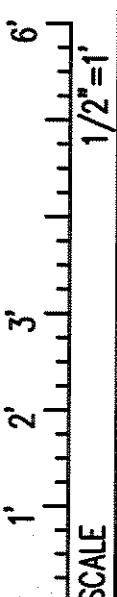
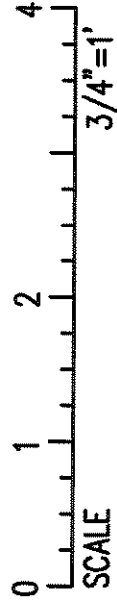
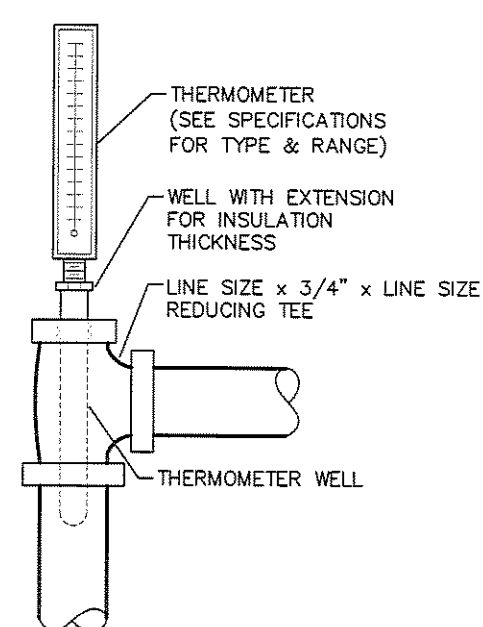


IF THIS SHEET IS NOT 24 X 36 IT IS A REDUCED SCALE PRINT - SCALE ACCORDINGLY

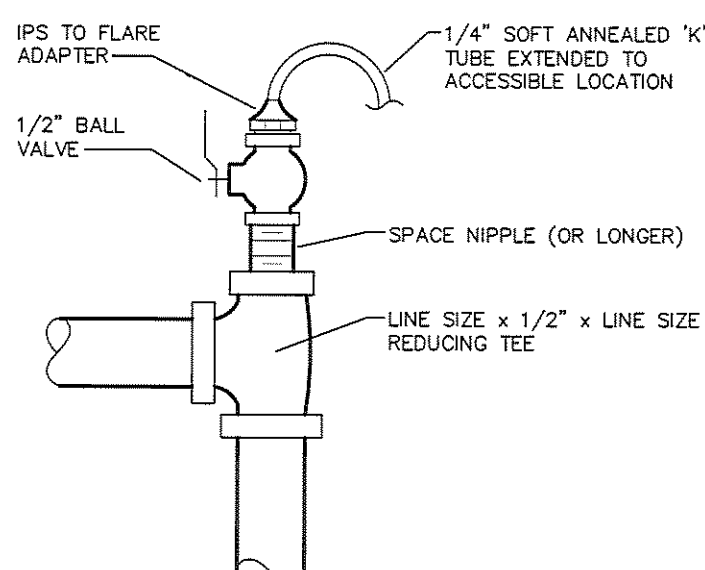


**FLOW MEASURING DEVICE INSTALLATION**



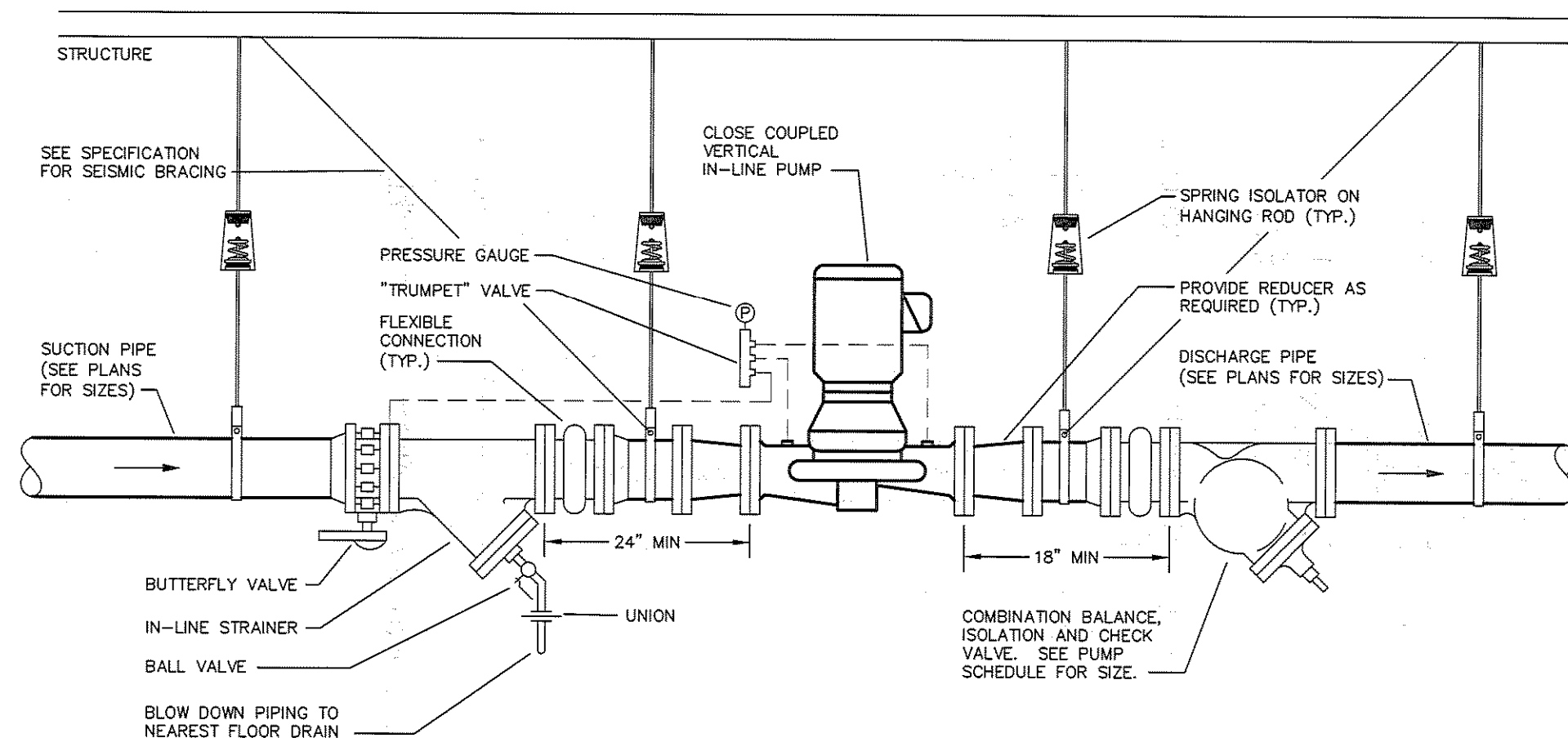
**THERMOMETER  
DETAIL**

NOT TO SCALE



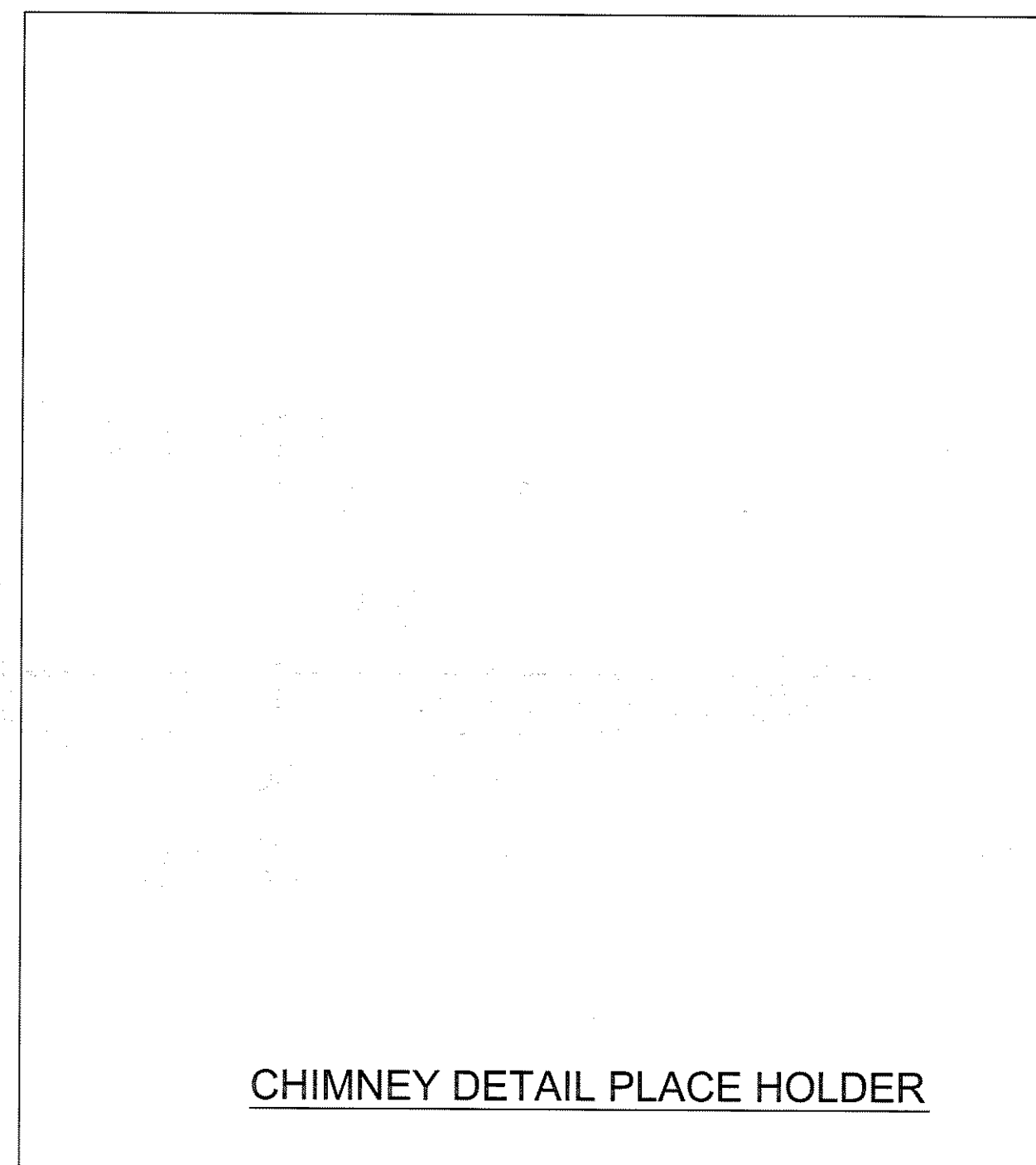
**MANUAL AIR VENT  
DETAIL**

NOT TO SCALE

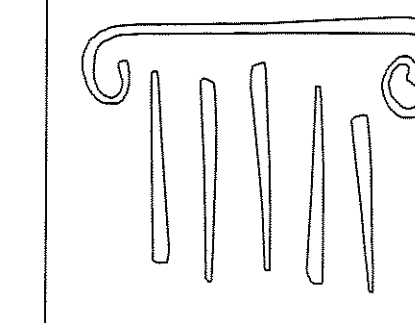


**VERTICAL IN-LINE PUMP PIPING DIAGRAM  
CONSTANT SPEED, STRUCTURE SUPPORTED**

NOT TO SCALE



**CHIMNEY DETAIL PLACE HOLDER**



**PORT CITY  
ARCHITECTURE**

65 NEWBURY STREET  
PORTLAND, ME 04101  
207.761.9000  
fax: 207.761.2010  
lita@portcityarch.com

**VANZELM  
ENGINEERS**

VANZELM HEYWOOD & SHADFORD, INC.  
10 TALCOTT NOTCH FARMINGTON, CT 06032  
TEL: (860) 284-5664 FAX: (860) 284-5068

PROJECT NO.: 2007120.00

**BECKER**  
structural engineers, inc.

**SYTDesign**  
CONSULTANTS  
CIVIL ENGINEERING & LANDSCAPE ARCHITECTURE

**ALLIED/COOK**  
CONSTRUCTION

**Favreau**  
CLERKS

**Titan Mechanical, Inc.**  
Mechanical Engineering & Maintenance Consulting

**UNIVERSITY OF NEW ENGLAND**

**COLLEGE OF PHARMACY**

716 STEVENS AVENUE,  
PORTLAND, ME

#	DATE	DESCRIPTION
		BID SET
	02/08/08	Date Issued
	06506	Project Number

BID SET

Date Issued 02/08/08

Project Number 06506

SHEET NAME

**MECHANICAL  
DETAILS**

Drawn By

AMM

Checked By

DWM/FB4

**M4.6**



**BID SET - NOT FOR CONSTRUCTION**