

IF THIS SHEET IS NOT 24 X 36 IT IS A REDUCED SCALE PRINT - SCALE ACCORDINGLY

3  
2  
1  
0  
SCALE 1/4"=1'

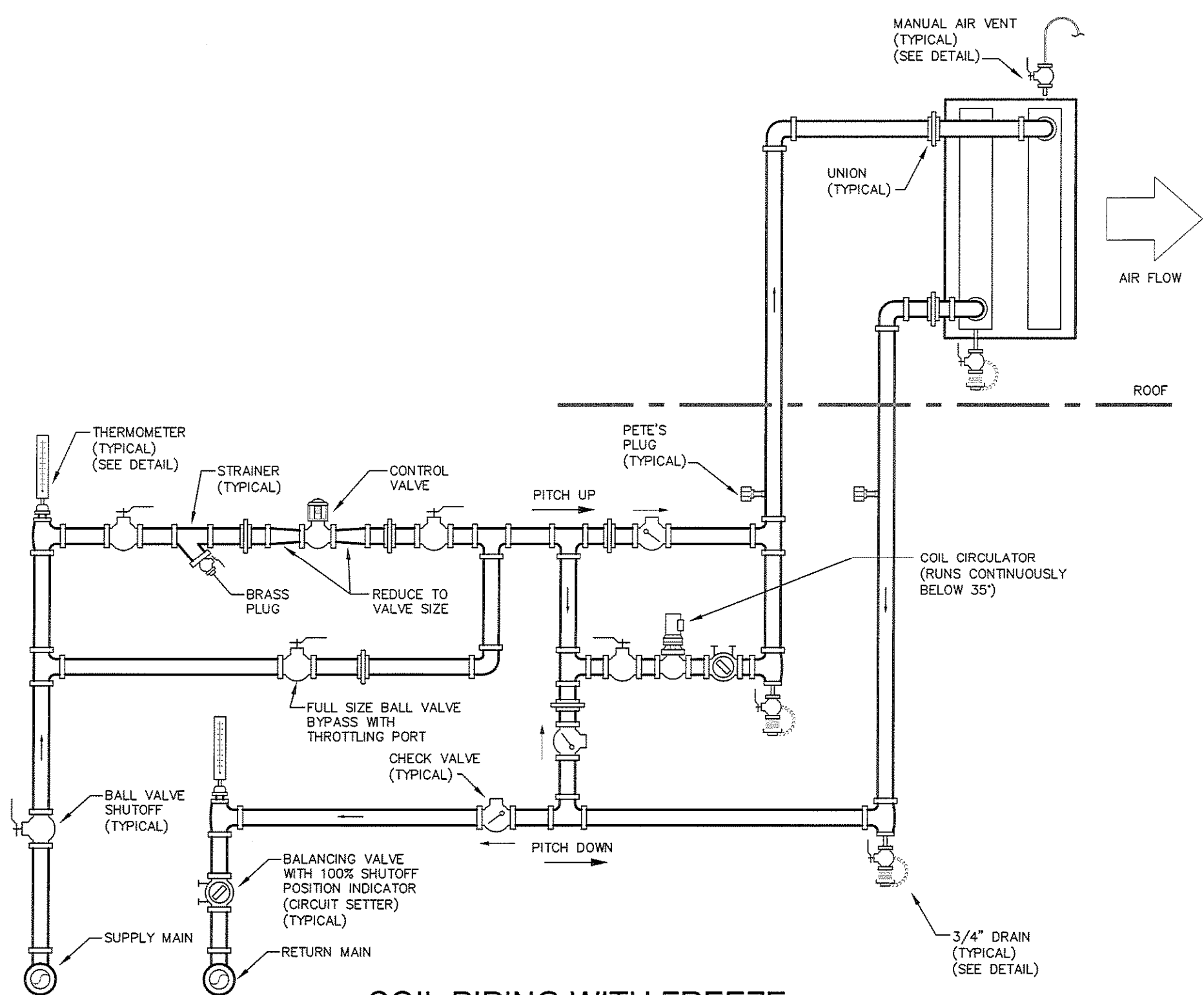
4  
2  
0  
SCALE 3/4"=1'

6  
3  
0  
SCALE 1/2"=1'

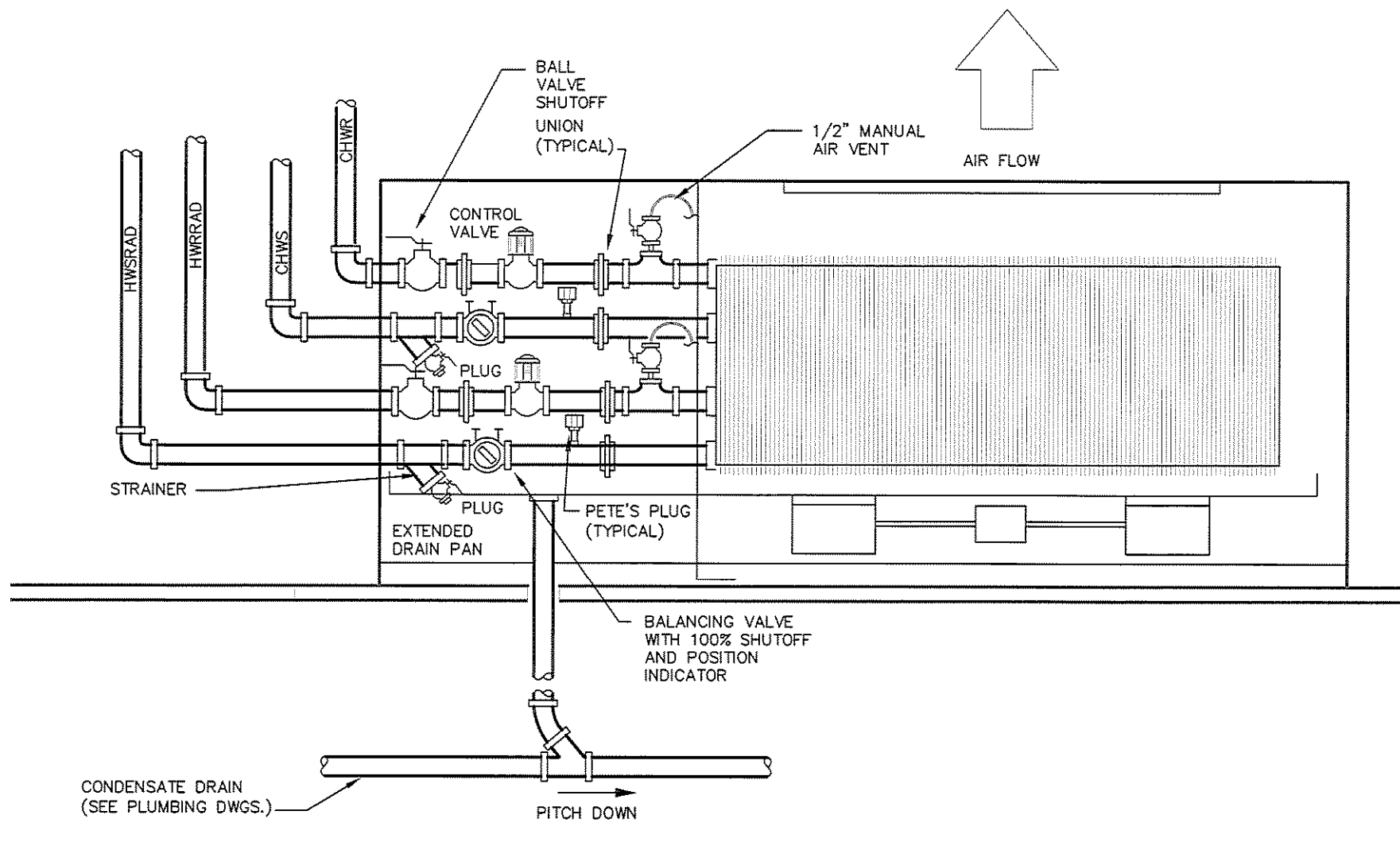
12  
8  
4  
0  
SCALE 1/4"=1'

20  
10  
0  
SCALE 1/8"=1'

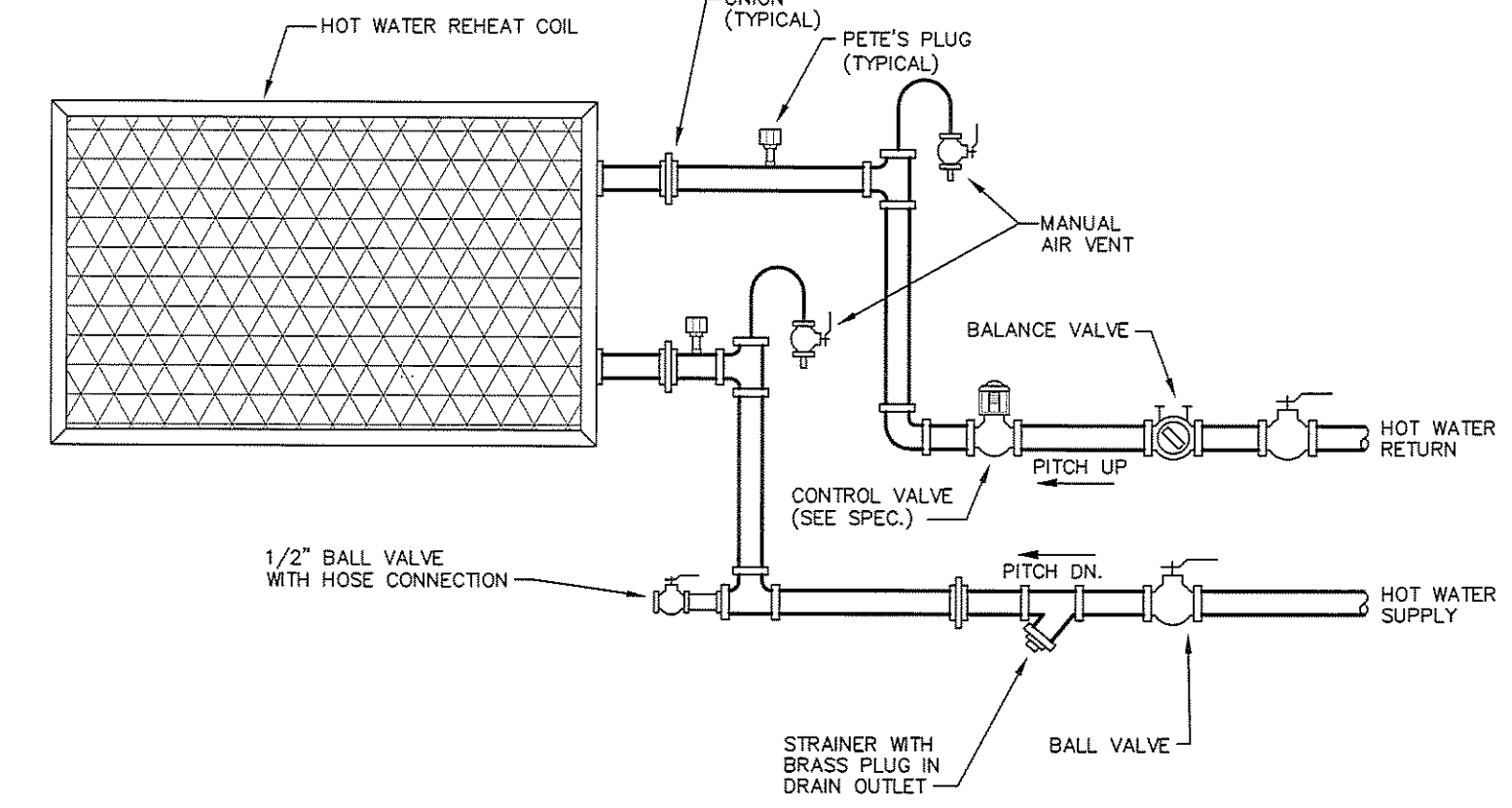
40  
20  
0  
SCALE 1/16"=1'



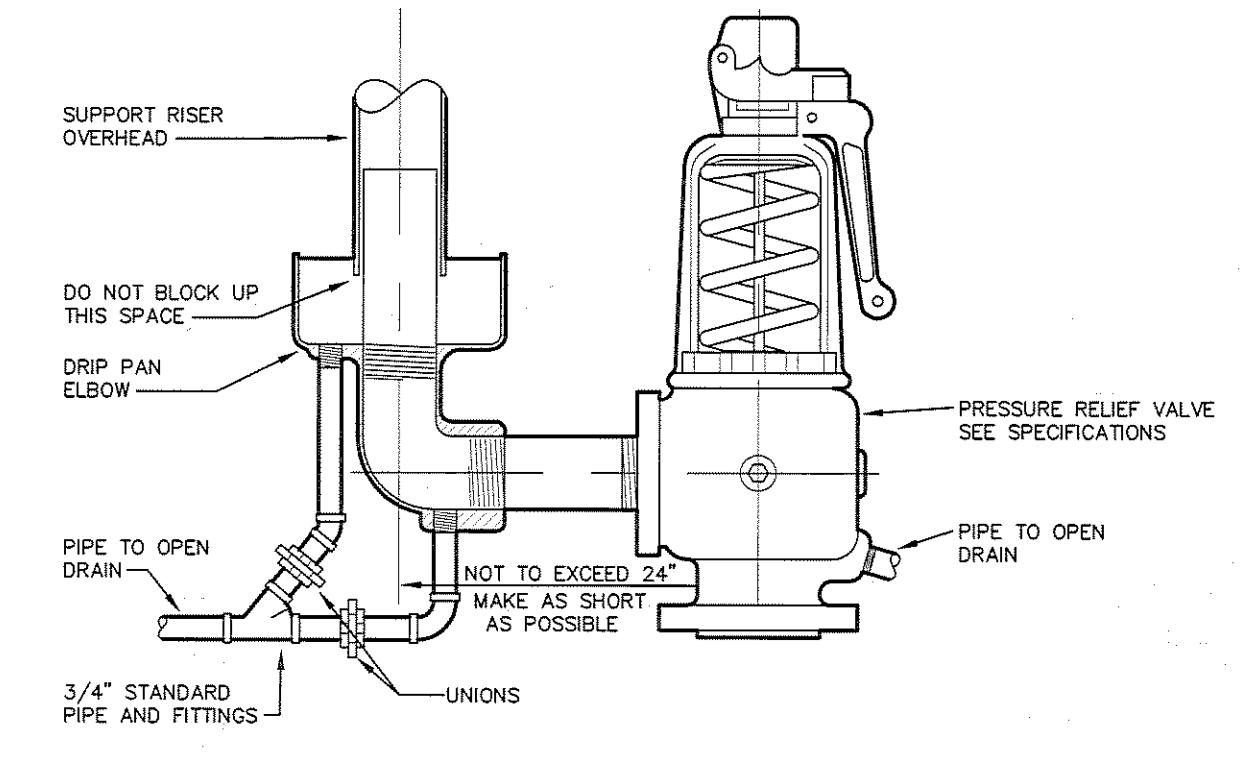
**COIL PIPING WITH FREEZE PROTECTION 2-WAY VALVE FOR SYSTEMS OVER 5000 CFM**  
NOT TO SCALE



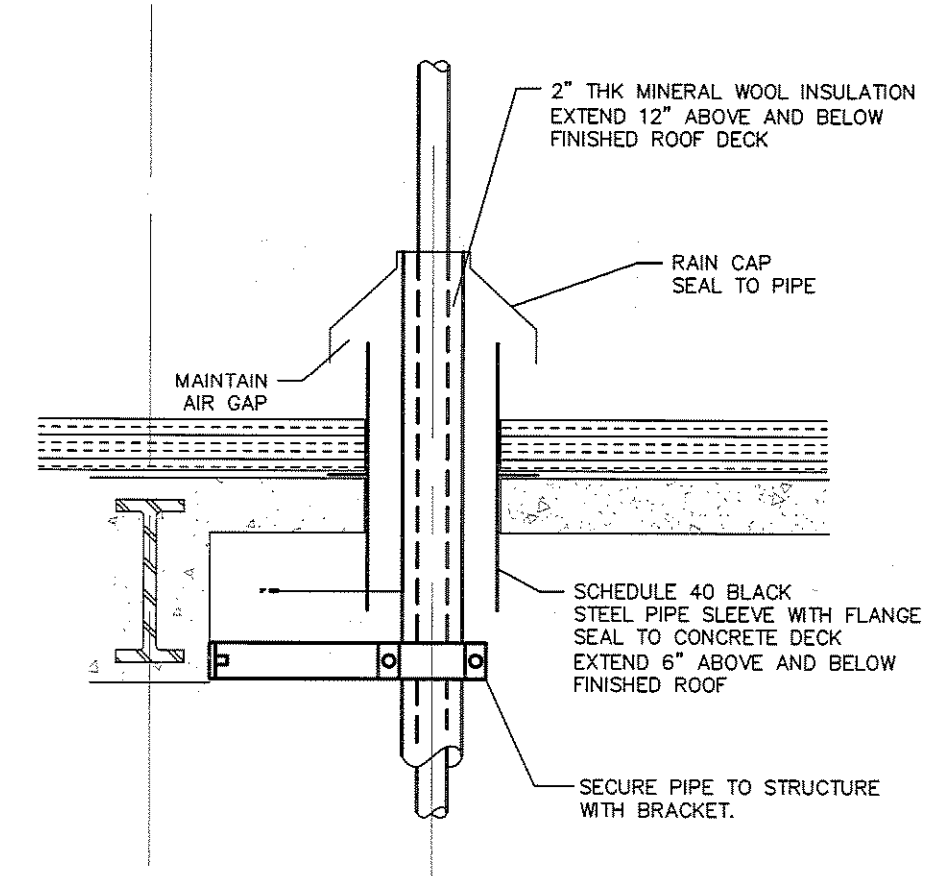
**FAN-COIL UNIT PIPING (4-PIPE SYSTEM)**  
NOT TO SCALE



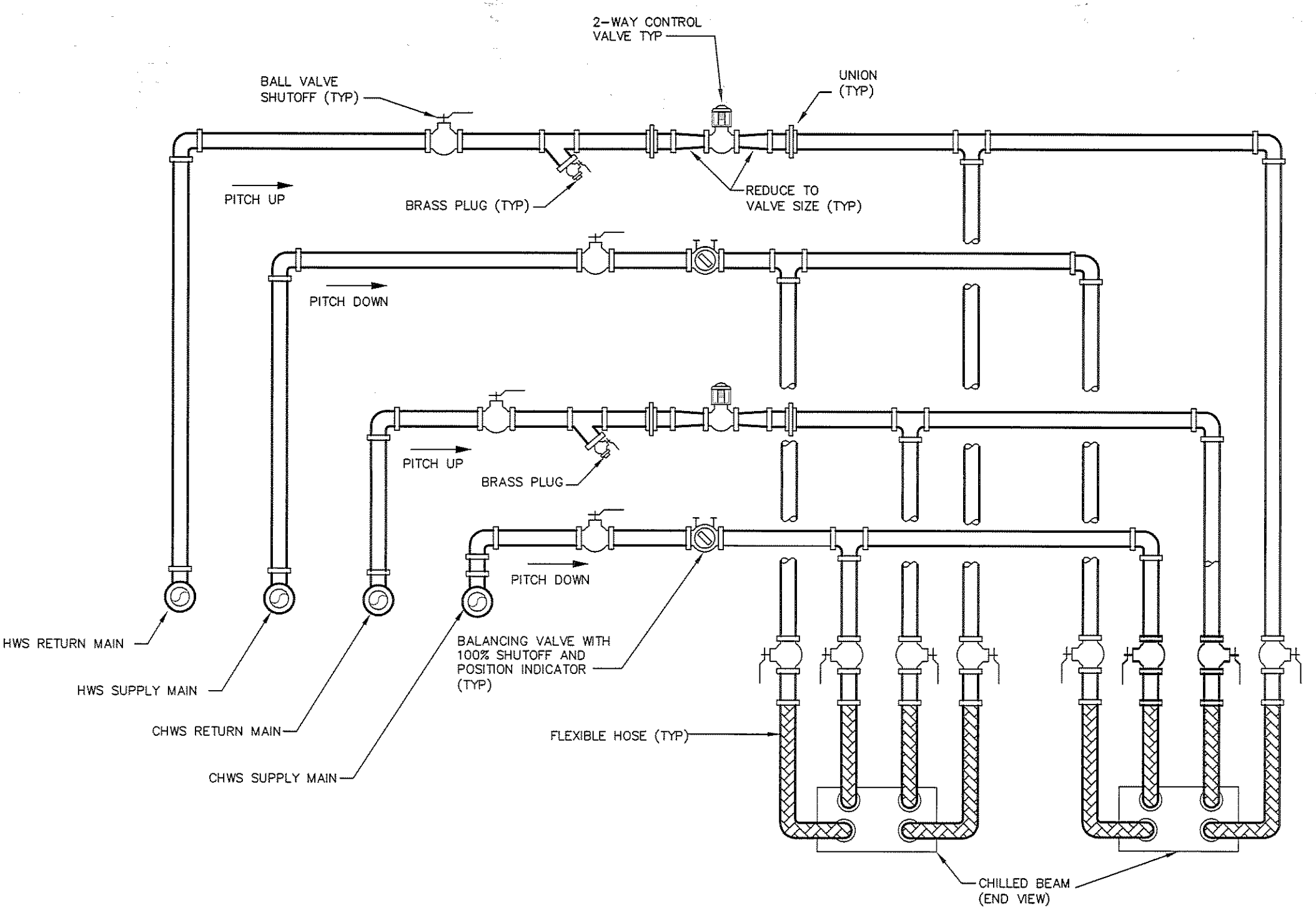
**TYPICAL HOT WATER REHEAT COIL PIPING DETAIL (UPFEED)**  
NOT TO SCALE



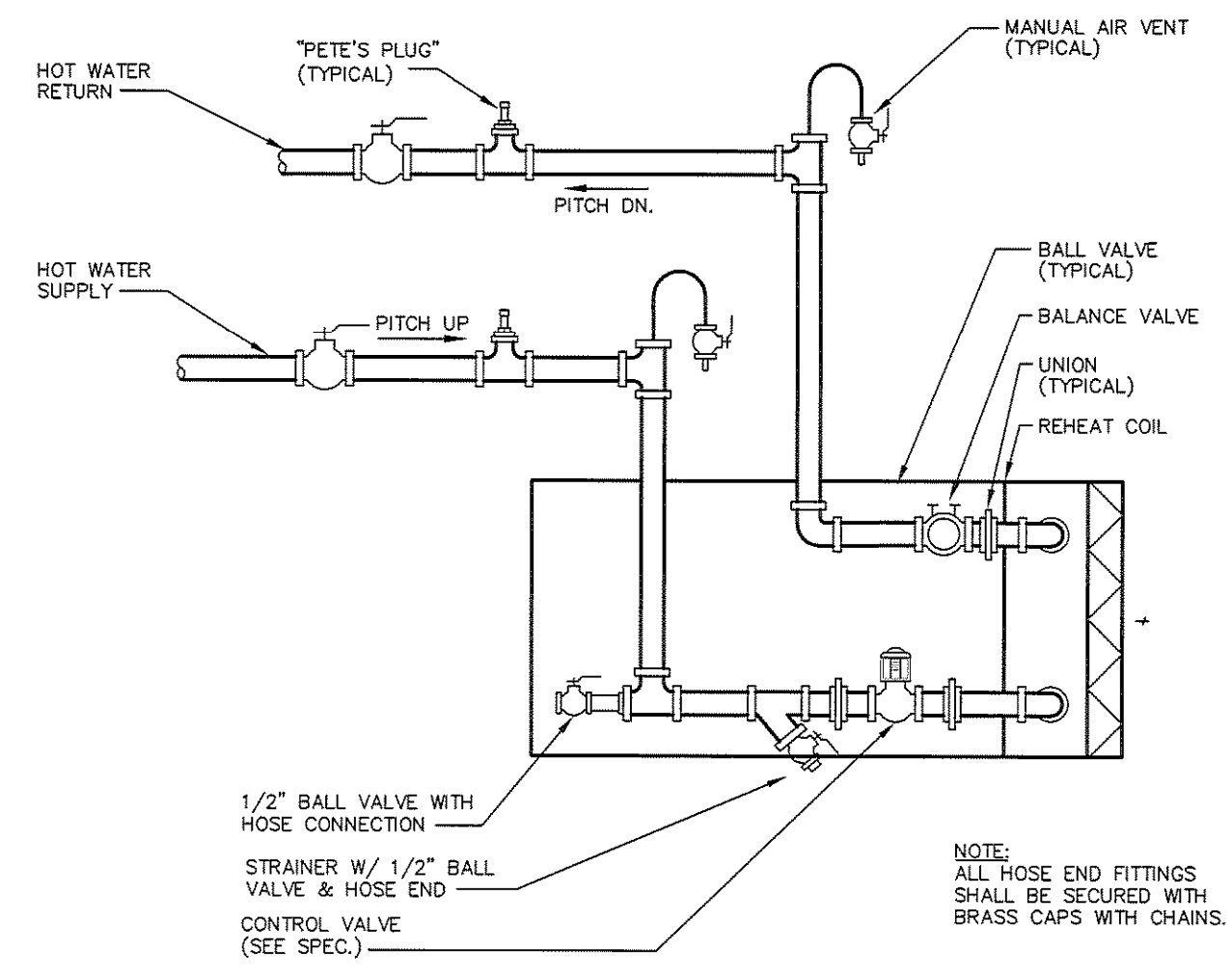
**3 PRESSURE RELIEF PIPING DIAGRAM**  
SCALE: NONE



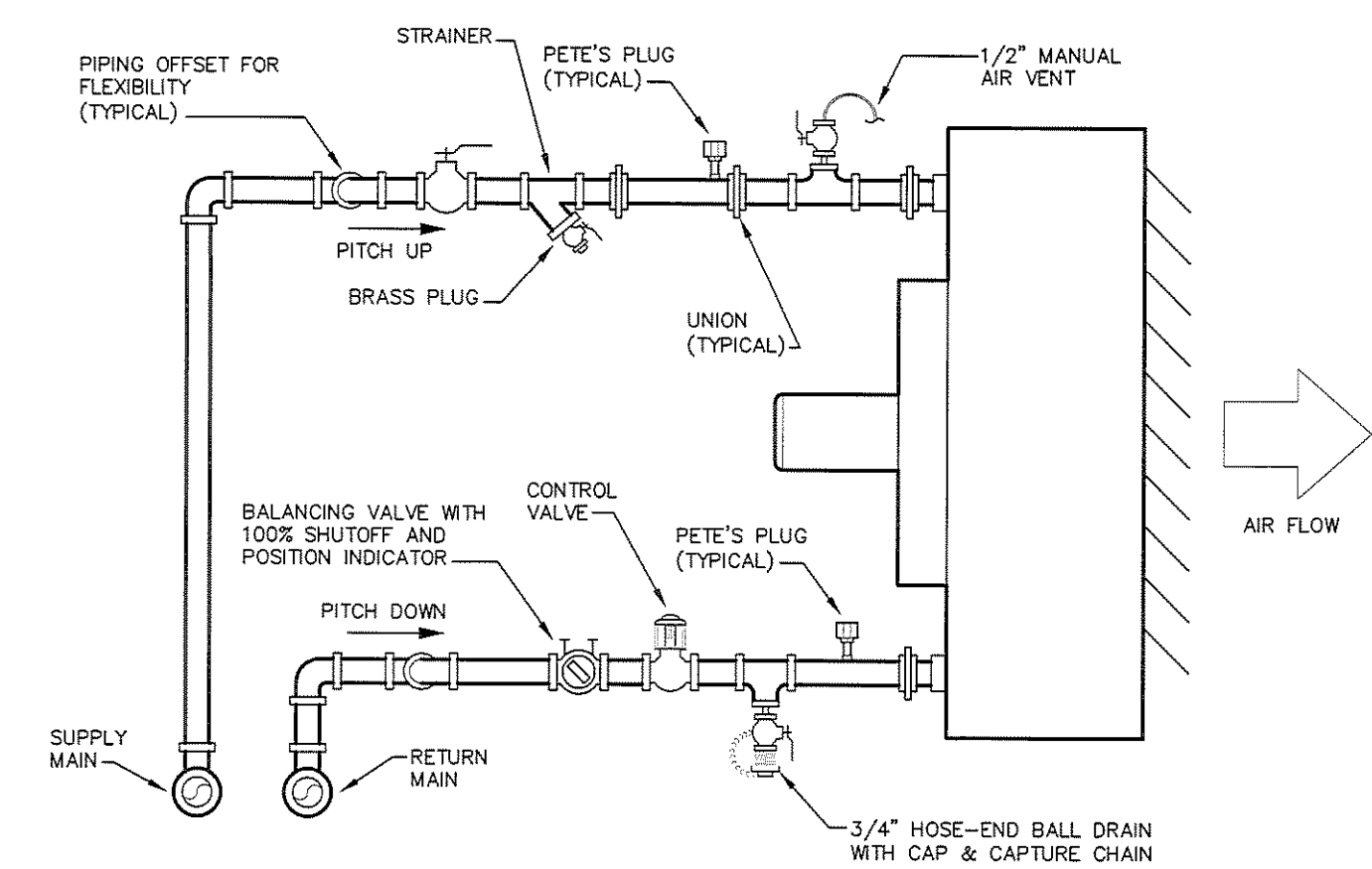
**TYPICAL HOT PIPE PENETRATION DETAIL**  
NOT TO SCALE



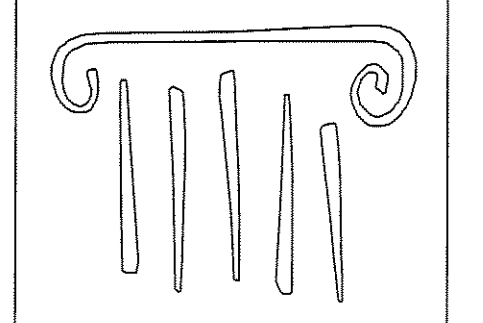
**10 TYPICAL CHILLED BEAM PIPING DETAIL (HEATING/COOLING)**  
SCALE: NONE



**TYPICAL VAV BOX WITH REHEAT**  
NOT TO SCALE



**HORIZONTAL HOT WATER UNIT HEATER PIPING DIAGRAM**  
NOT TO SCALE



**PORT CITY ARCHITECTURE**

65 NEWBURY STREET  
PORTLAND, ME 04101  
207.761.9000  
fax: 207.761.2010  
lita@portcityarch.com

**VANZELM ENGINEERS**

VANZELM HEYWOOD & SHADFORD, INC.  
18 FALCOTT NOTCH FARMINGTON, CT 06032  
TEL: (860) 384-3564 FAX: (860) 384-3568

PROJECT NO.: 2007120.00

**BECKER structural engineers, inc.**

**SYTDesign CONSULTANTS**  
CIVIL ENGINEERING & LANDSCAPE ARCHITECTURE

**ALLIED/COOK CONSTRUCTION**

**Favreau Group**

**Titan Mechanical, Inc.**  
Design/Build Engineering - Mechanical Contracting

**UNIVERSITY OF NEW ENGLAND**

**COLLEGE OF PHARMACY**

716 STEVENS AVENUE,  
PORTLAND, ME

#	DATE	DESCRIPTION
		BID SET
	02/08/08	Date Issued
	06306	Project Number

SHEET NAME  
**MECHANICAL DETAILS**

Drawn By  
AMM  
Checked By  
DWM/FBH

**M4.4**

**BID SET - NOT FOR CONSTRUCTION**