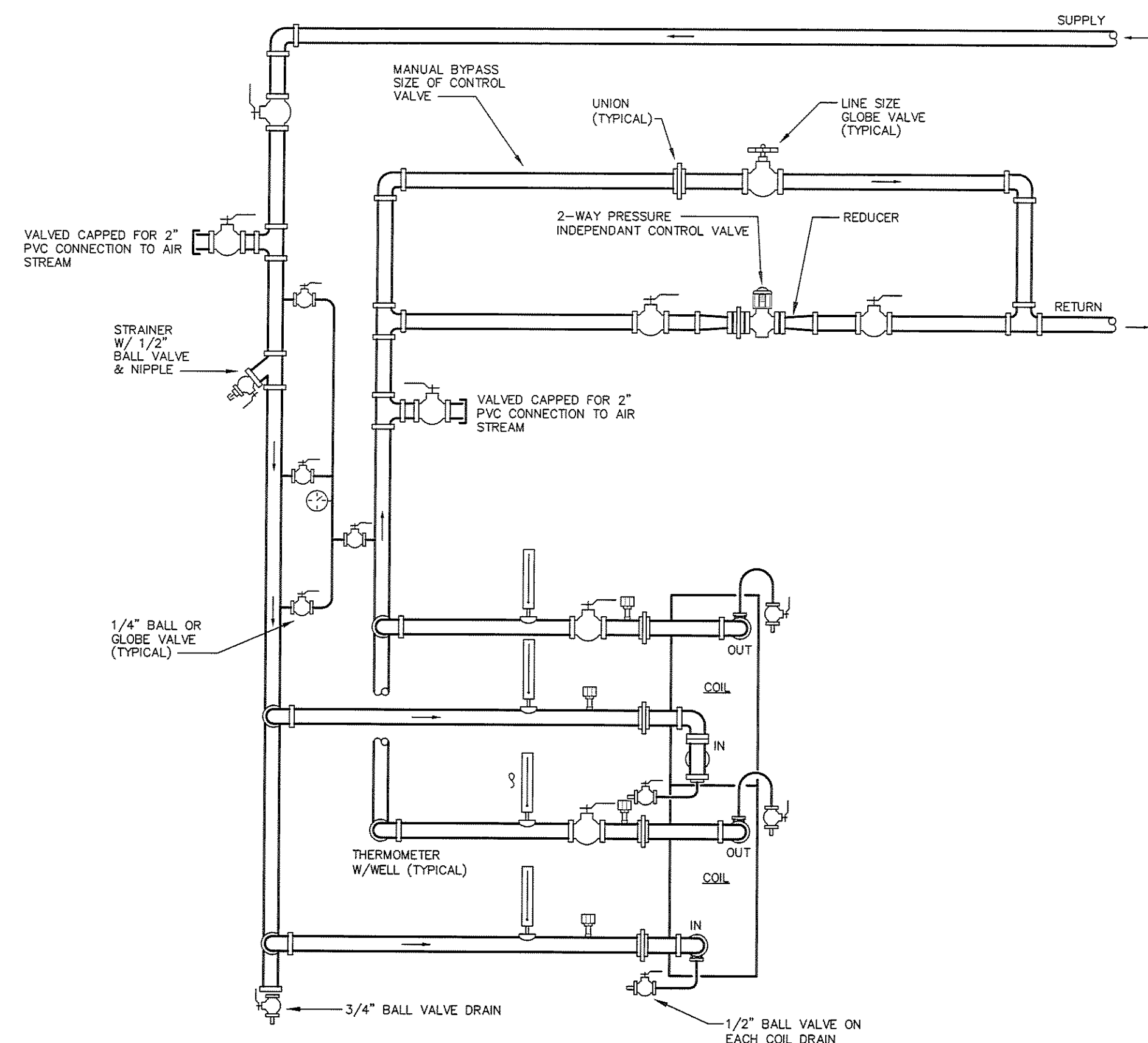
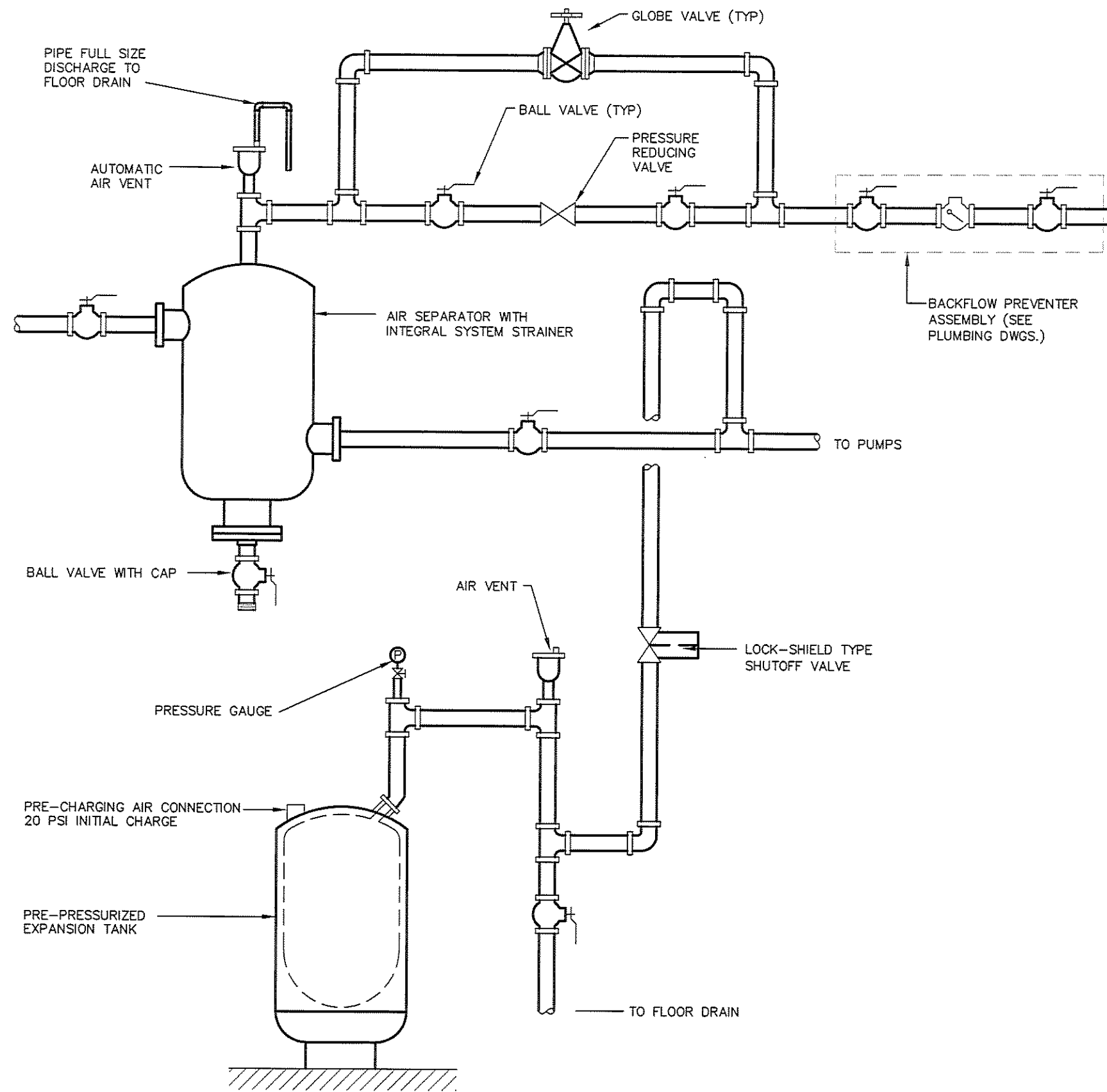


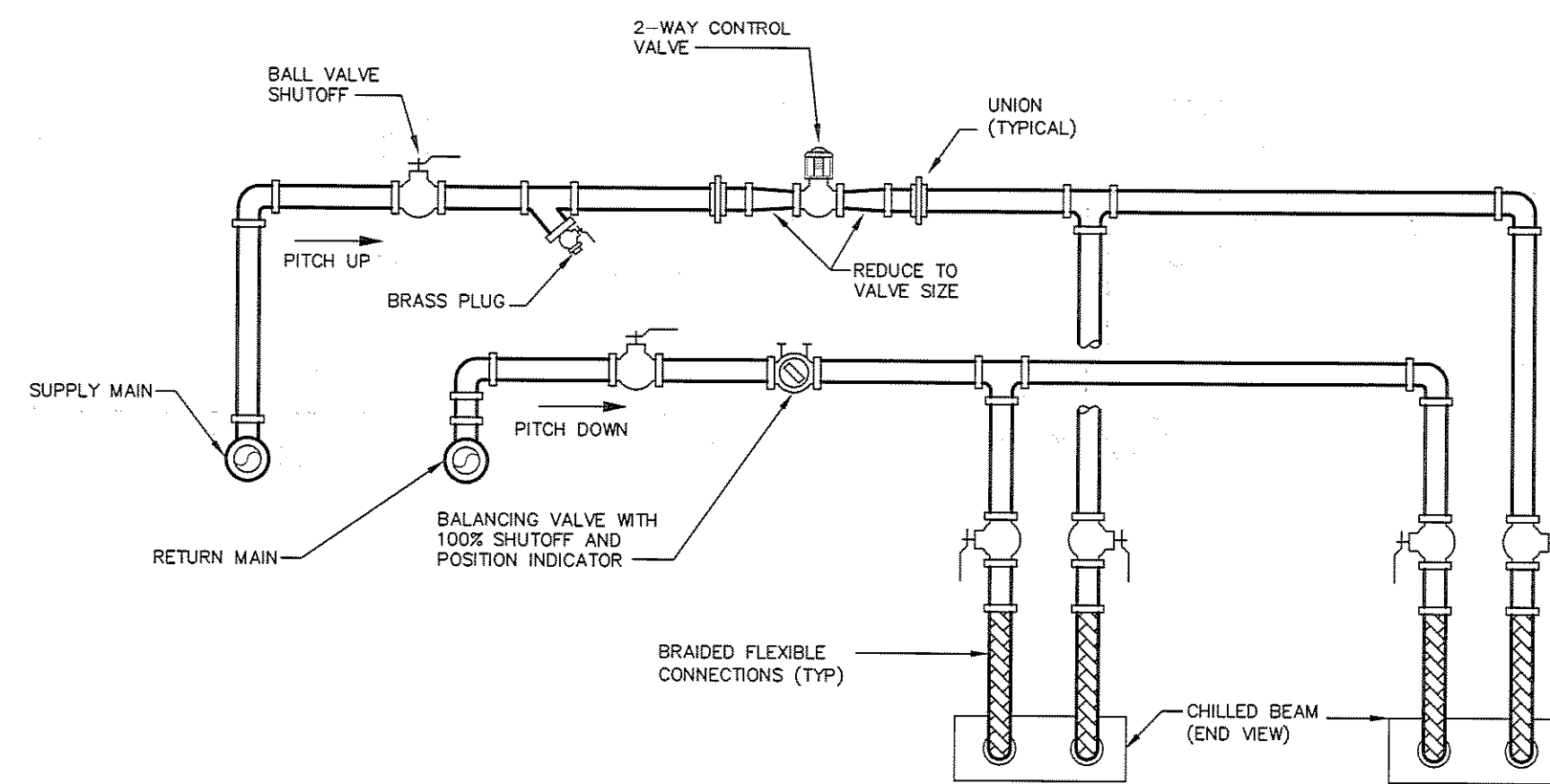
IF THIS SHEET IS NOT 24 X 36 IT IS A REDUCED SCALE PRINT - SCALE ACCORDINGLY



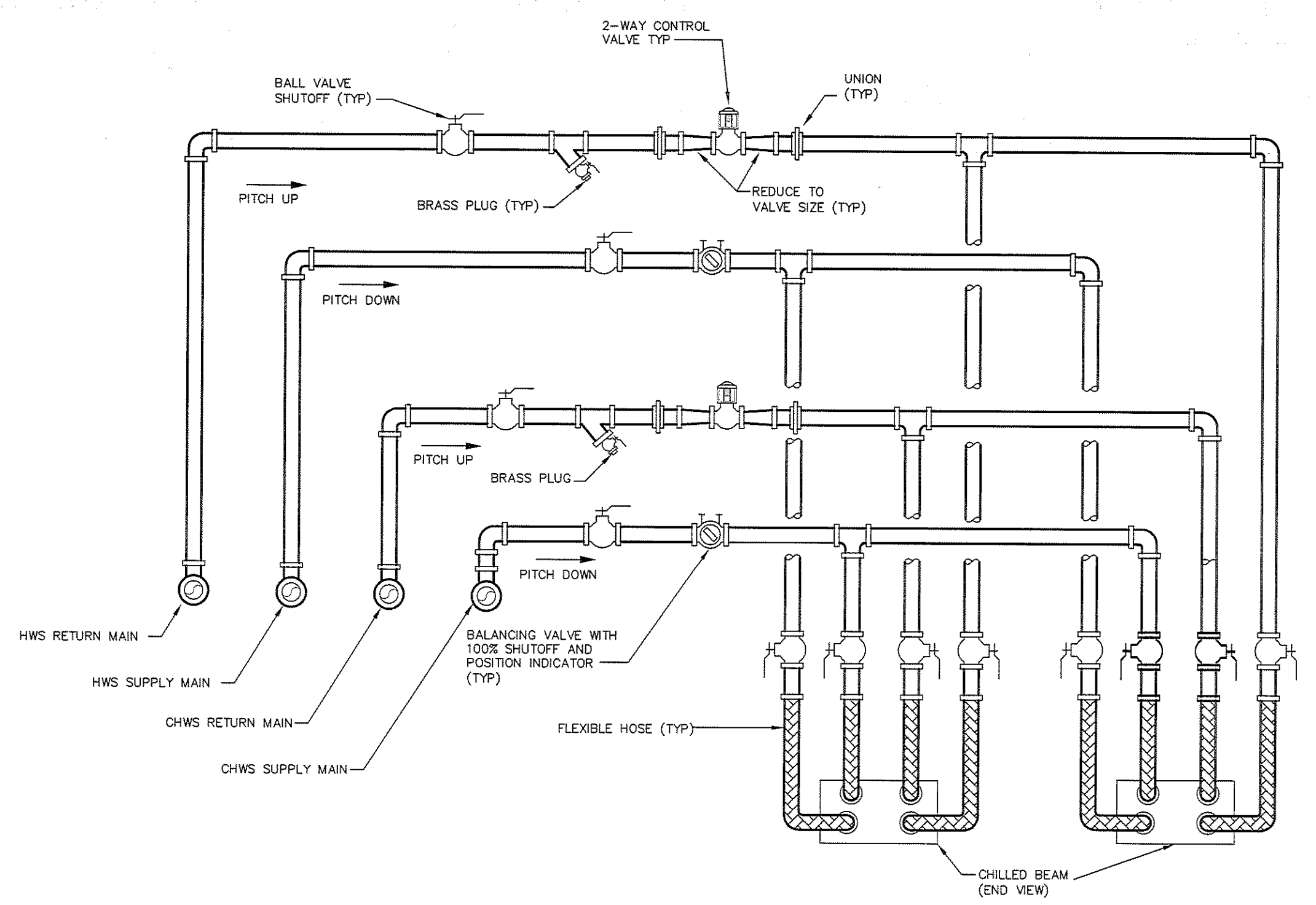
AHU-1, 2, & 3 CHILLED WATER COIL PIPING DIAGRAM
NOT TO SCALE



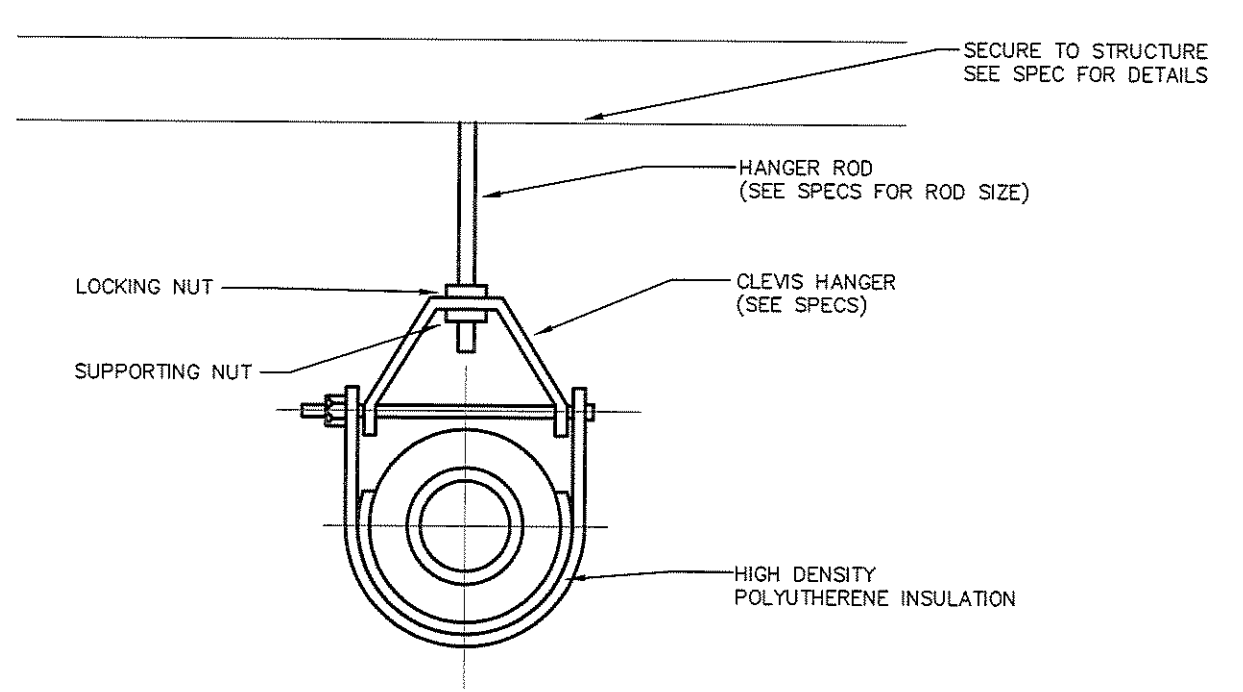
6 EXPANSION TANK PIPING DIAGRAM
SCALE: NONE



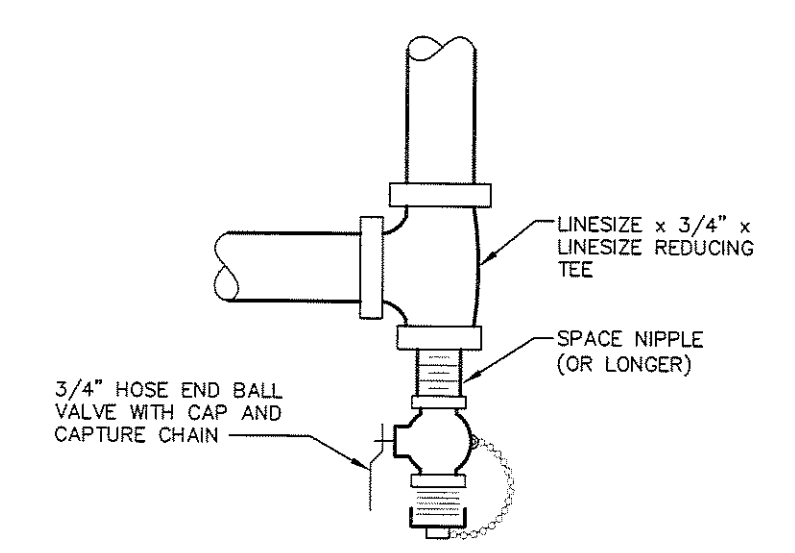
9 CHILLED BEAM PIPING DETAIL (COOLING ONLY)
SCALE: NONE



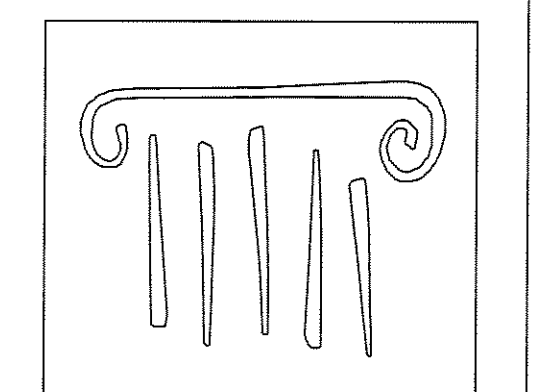
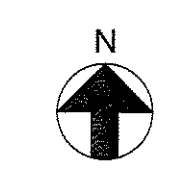
10 TYPICAL CHILLED BEAM PIPING DETAIL (HEATING/COOLING)
SCALE: NONE



PIPE HANGER DETAIL
NOT TO SCALE



PIPING LOW POINT DRAIN DETAIL
NOT TO SCALE



PORT CITY ARCHITECTURE

65 NEWBURY STREET
PORTLAND, ME 04101
207.761.9000
fax: 207.761.2010
lita@portcityarch.com

VANZELM ENGINEERS

VANZELM HEYWOOD & SHADFORD, INC.
10 TALCOTT NOTCH FARMINGTON, CT 06032
TEL: (860) 284-3964 FAX: (860) 284-3968

PROJECT NO.: 2007120.00

BECKER
structural engineers, inc.

SYTDesign CONSULTANTS
CIVIL ENGINEERING & LANDSCAPE ARCHITECTURE

ALLIED/COOK CONSTRUCTION

Favreau
Electric

Titan Mechanical, Inc.
Design-Build Engineering - Mechanical Contracting

UNIVERSITY OF NEW ENGLAND

COLLEGE OF PHARMACY

**716 STEVENS AVENUE,
PORTLAND, ME**

#	DATE	DESCRIPTION
		BID SET
	02/08/08	Date Issued
	06506	Project Number

SHEET NAME
MECHANICAL DETAILS

Drawn By: EAC & ANN
Checked By: DWIM/REH
M4.3

BID SET - NOT FOR CONSTRUCTION