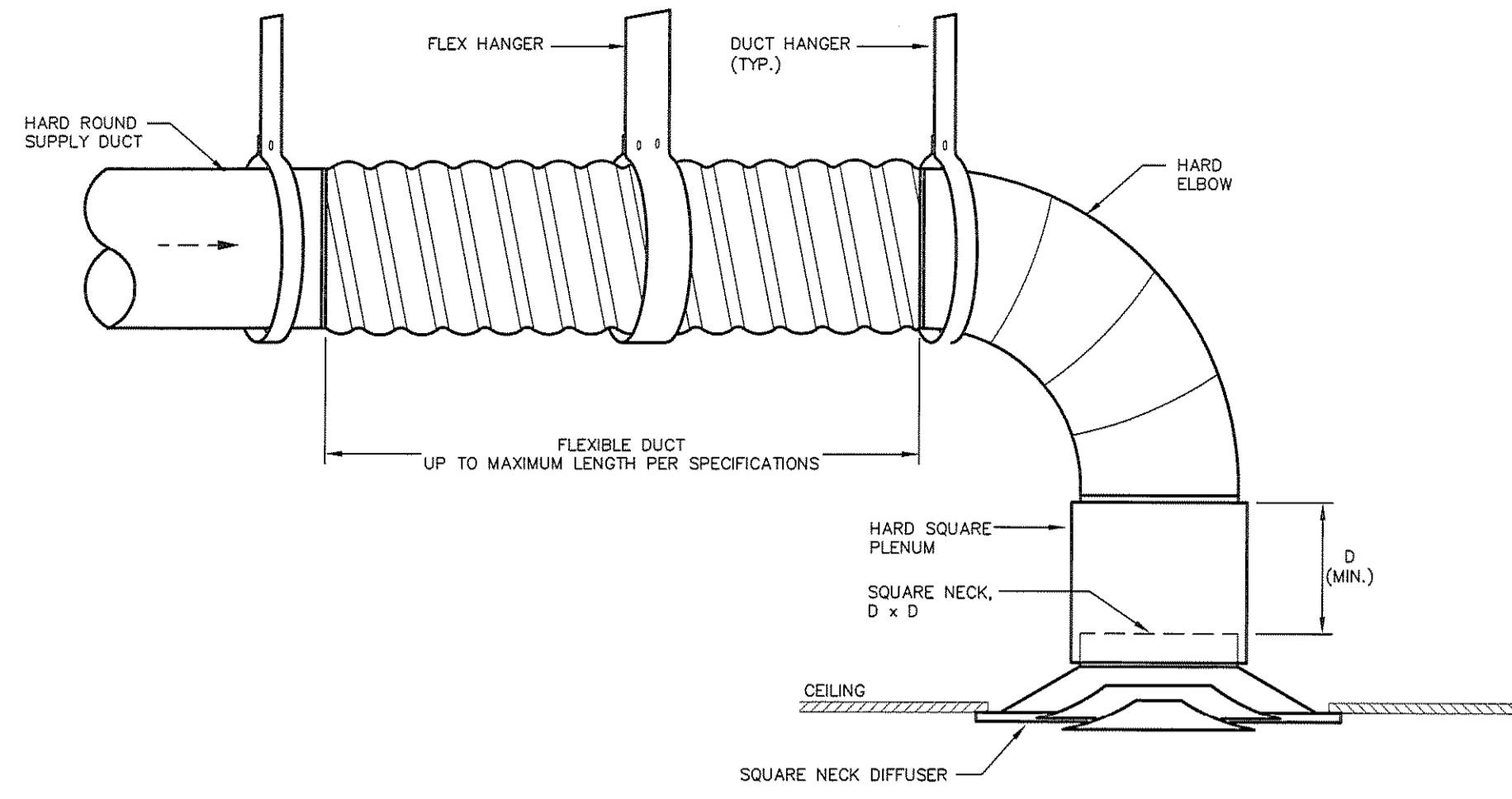
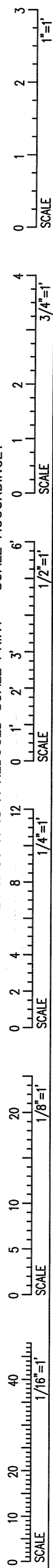
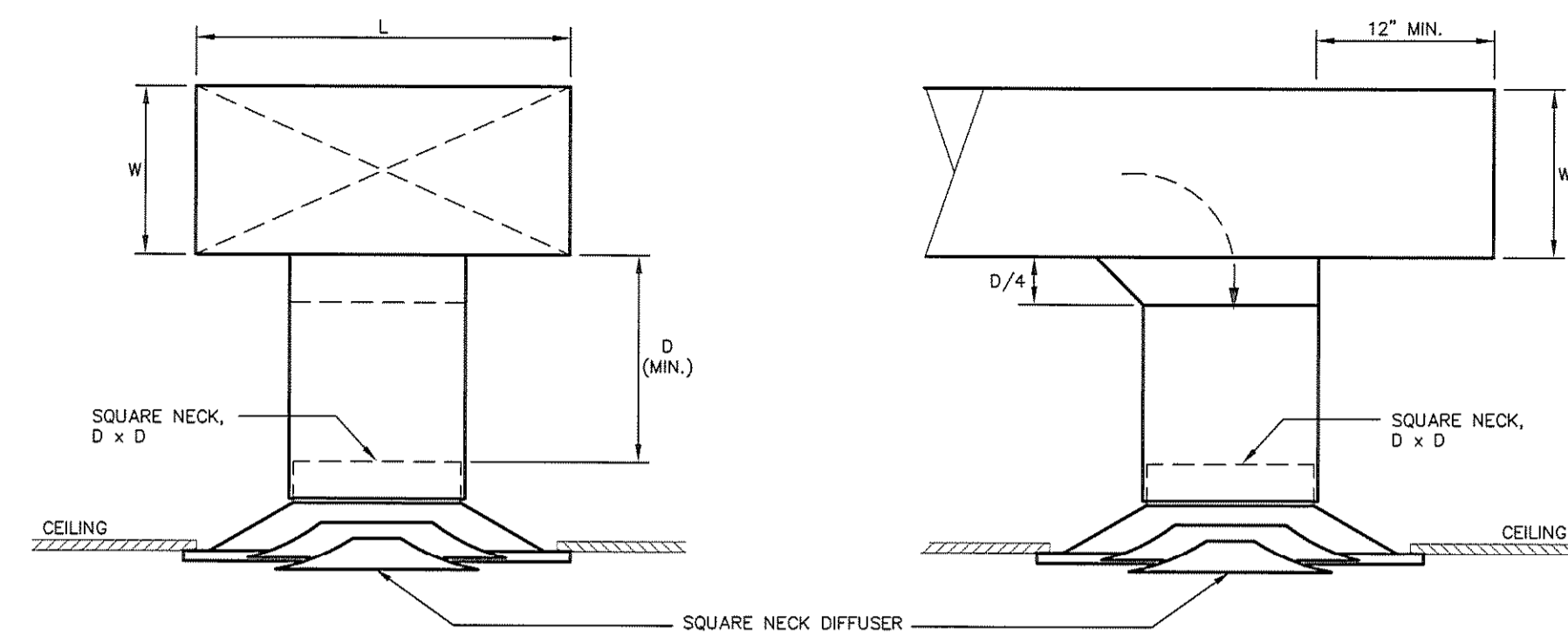


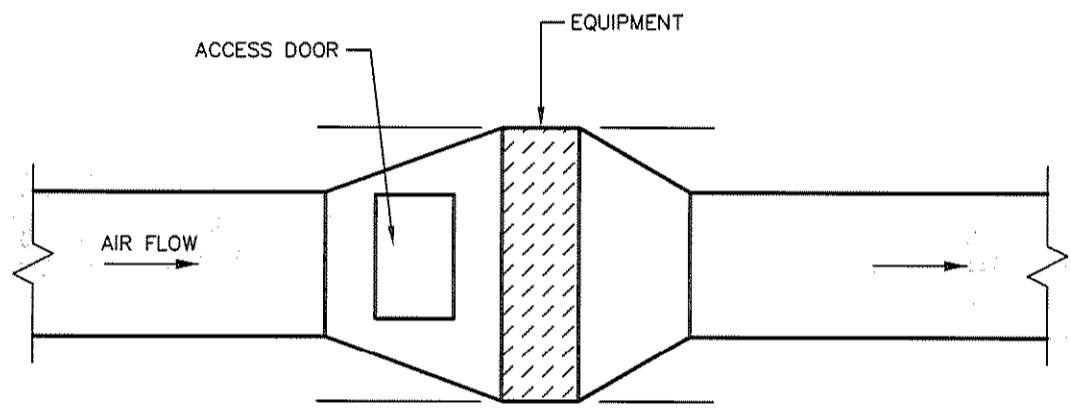
IF THIS SHEET IS NOT 24 X 36 IT IS A REDUCED SCALE PRINT - SCALE ACCORDINGLY



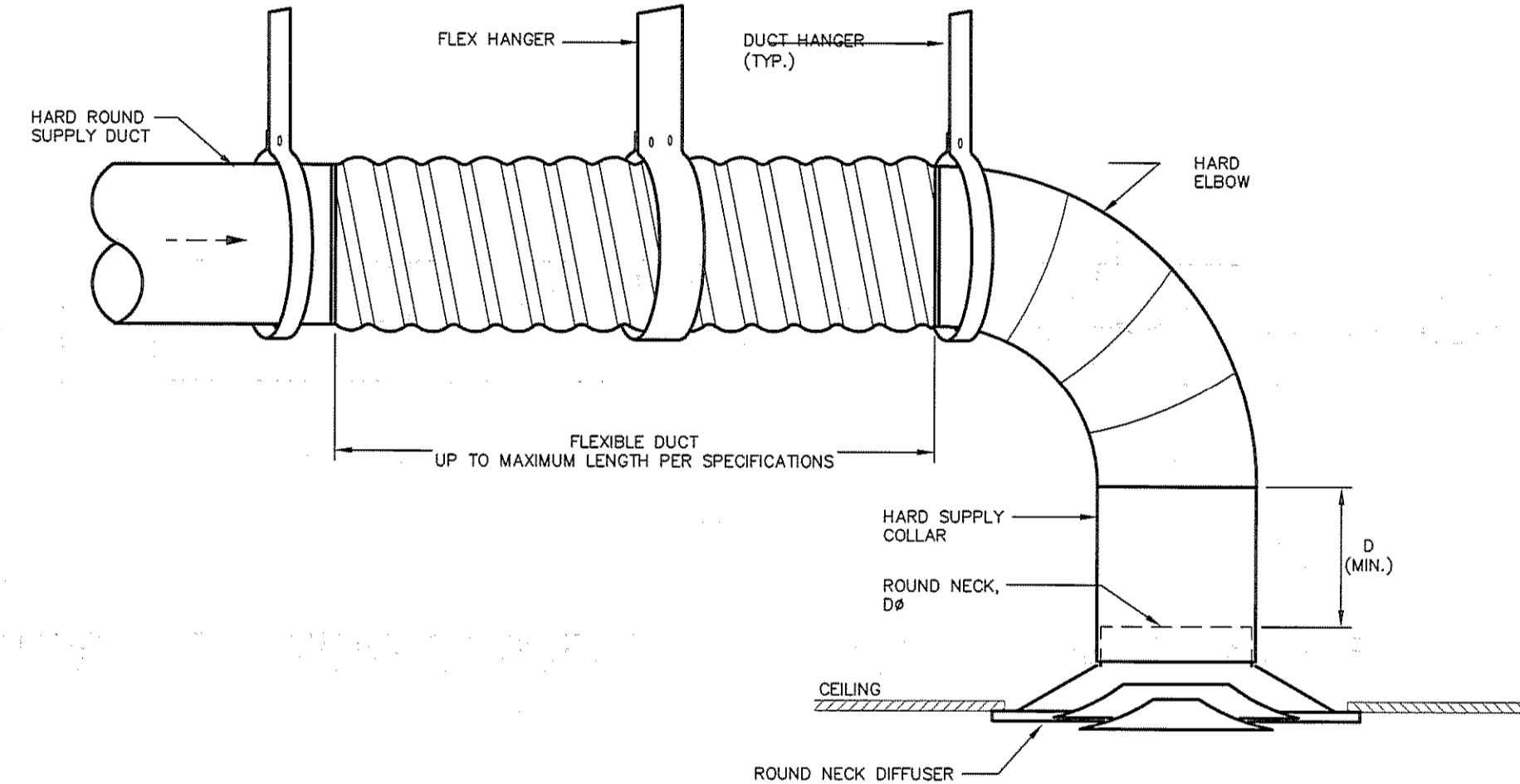
**ROUND CONNECTION TO SQUARE NECK DIFFUSER**  
NOT TO SCALE



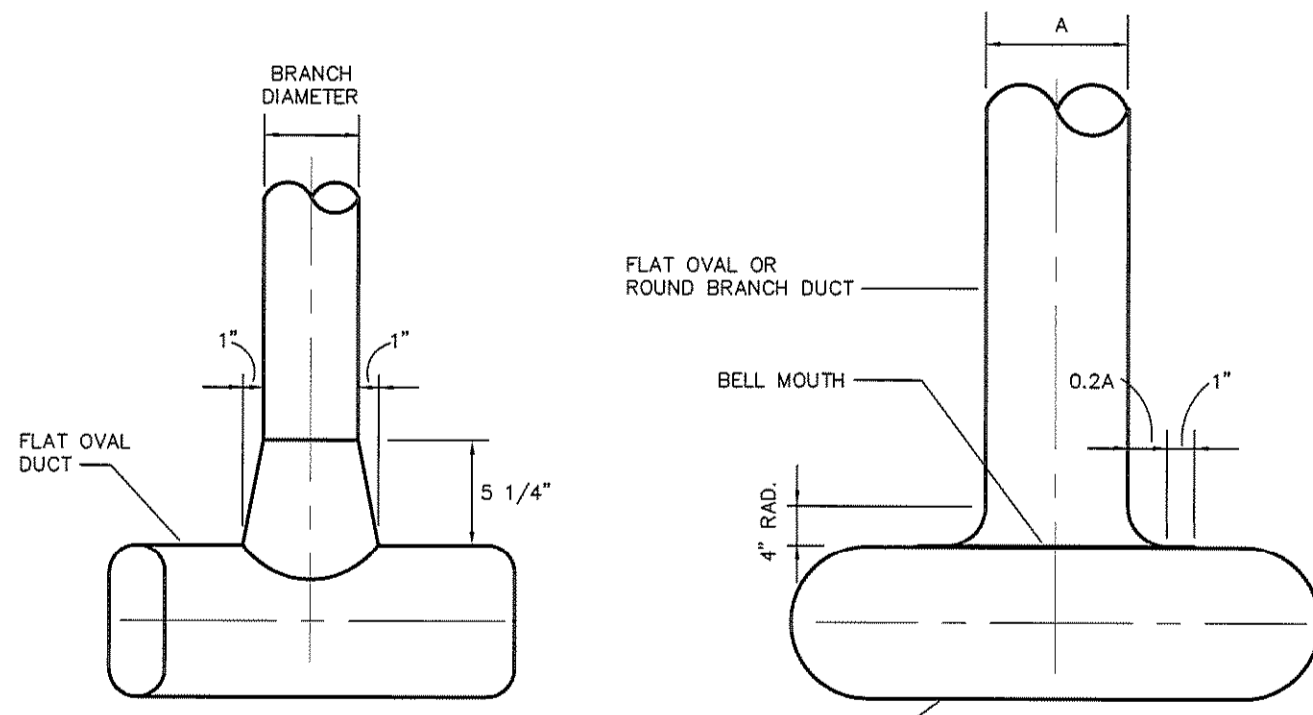
**BOTTOM TAKEOFF FOR CONNECTION TO SQUARE NECK DIFFUSER**  
NOT TO SCALE



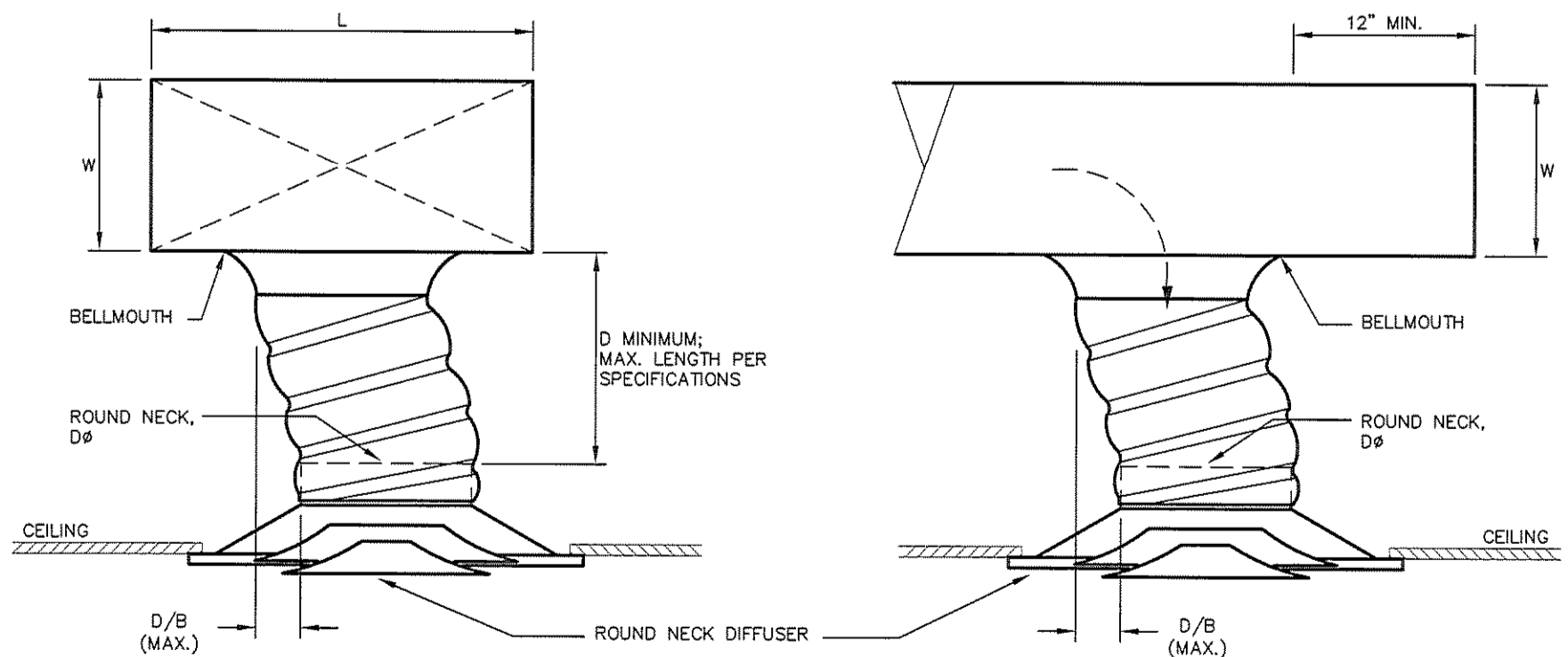
**DUCT TRANSFORMATION WITH EQUIPMENT IN DUCT**  
NOT TO SCALE



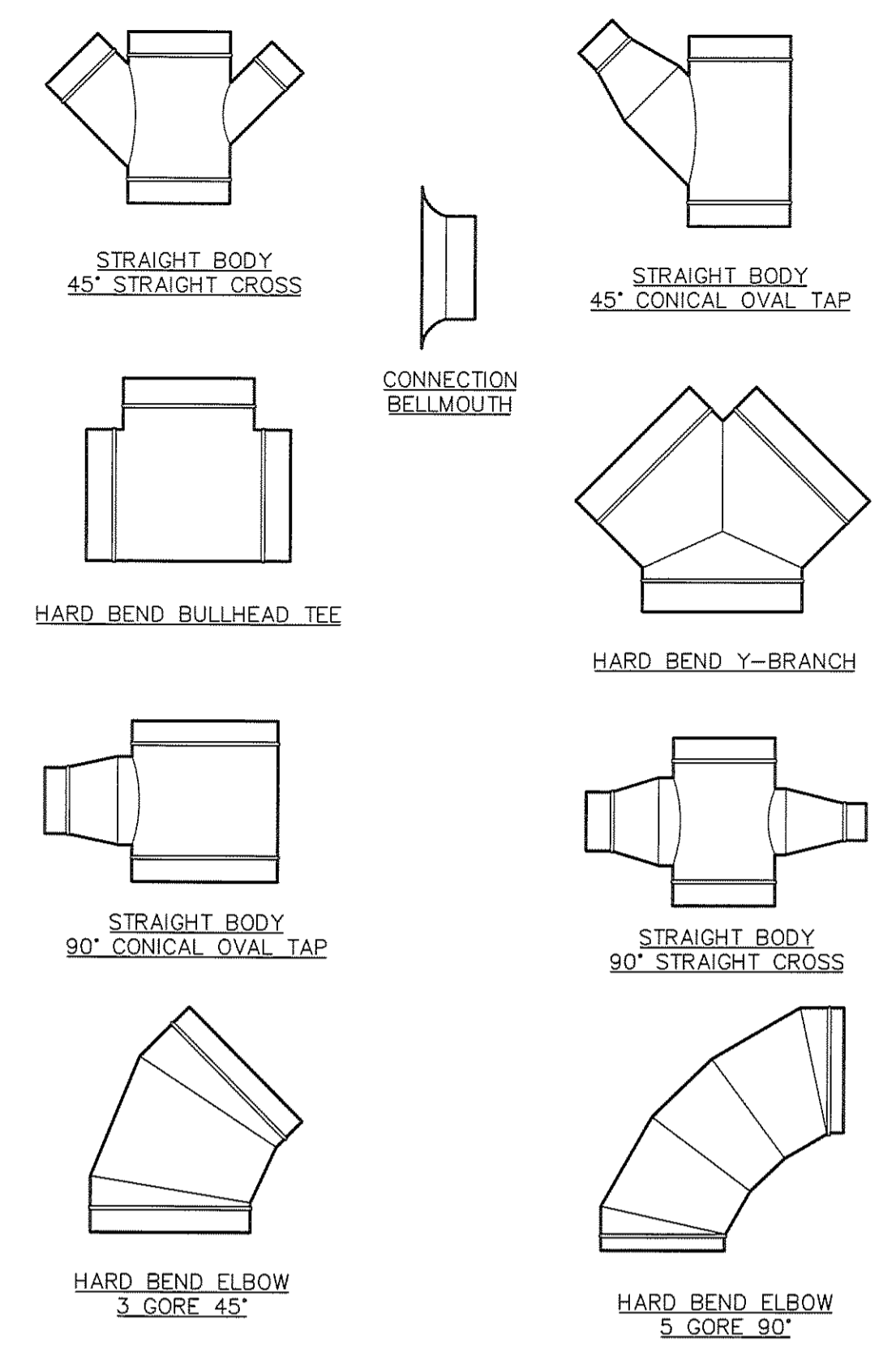
**ROUND CONNECTION TO ROUND NECK DIFFUSER**  
NOT TO SCALE



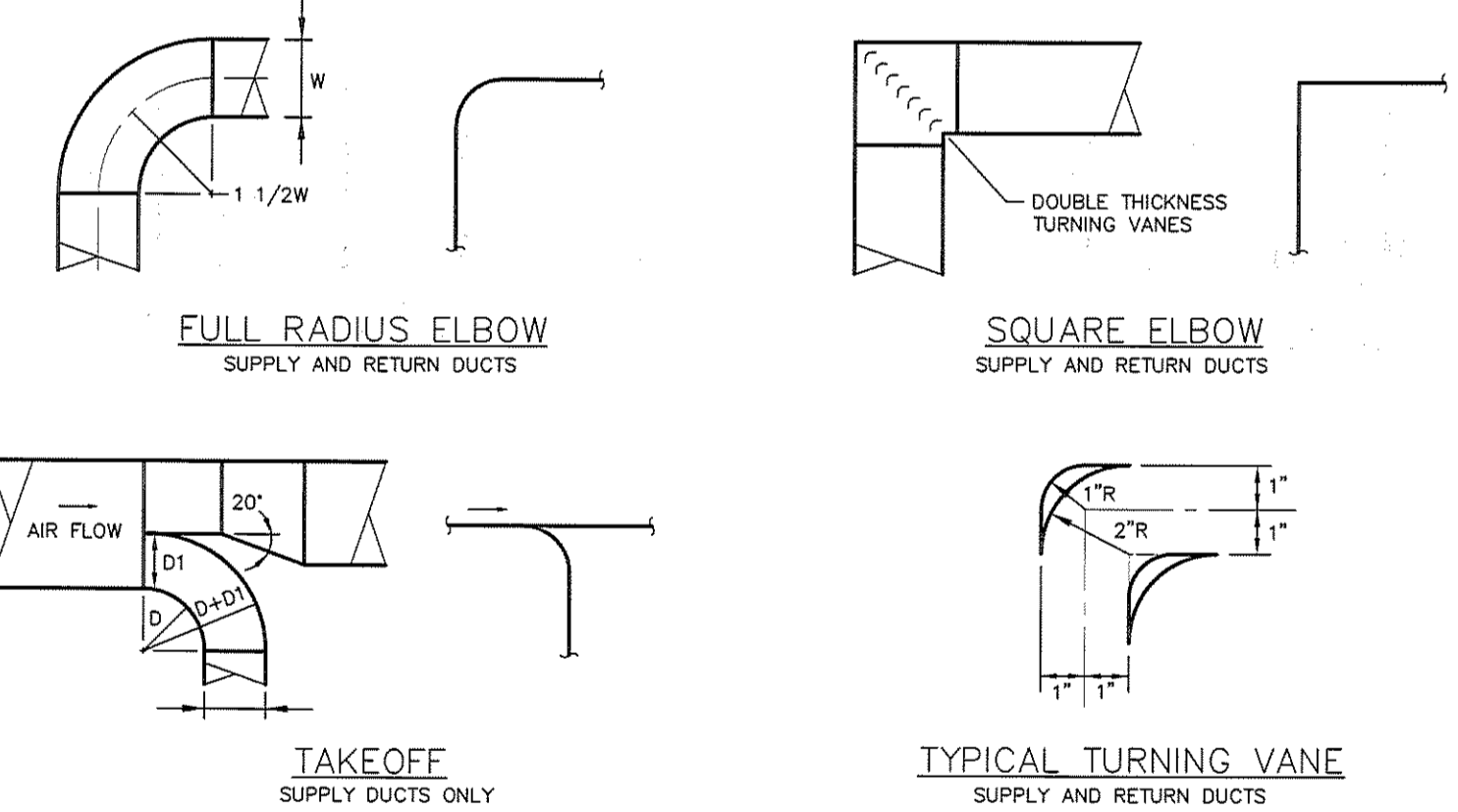
**TYPICAL DUCT TAKEOFF DETAIL**  
NOT TO SCALE



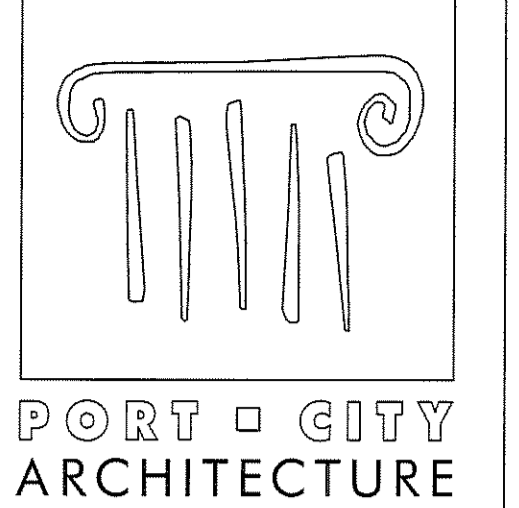
**BOTTOM TAKEOFF FOR FLEX CONNECTION TO ROUND NECK DIFFUSER**  
NOT TO SCALE



**TYPICAL OVAL DUCT DETAILS**  
NOT TO SCALE



**TYPICAL DUCT DETAILS WITH SINGLE LINE REPRESENTATION**  
NOT TO SCALE



**PORT CITY ARCHITECTURE**  
65 NEWBURY STREET  
PORTLAND, ME 04101  
207.761.9000  
fax: 207.761.2010  
lita@portcityarch.com



**VANZELM ENGINEERS**  
VANZELM HEYWOOD & SHADFORD, INC.  
16 TALCOTT NOTCH FARMINGTON, CT 06032  
TEL: (860) 324-5064 FAX: (860) 324-5088

PROJECT NO.: 2007120.00  
**BECKER**  
structural engineers, inc.

**SYTDesign CONSULTANTS**  
CIVIL ENGINEERING & LANDSCAPE ARCHITECTURE

**ALLIED/COOK CONSTRUCTION**

**Favreau**  
GROUP

**Titan Mechanical, Inc.**  
Design-Build Engineering - Mechanical Contracting

**UNIVERSITY OF NEW ENGLAND**  
**COLLEGE OF PHARMACY**  
716 STEVENS AVENUE,  
PORTLAND, ME

#	DATE	DESCRIPTION
		BID SET
	02/08/08	Date Issued
	06506	Project Number

SHEET NAME  
**MECHANICAL DETAILS**

Drawn By: AMM  
Checked By: DWM/FBH  
**M4.1**

**BID SET - NOT FOR CONSTRUCTION**