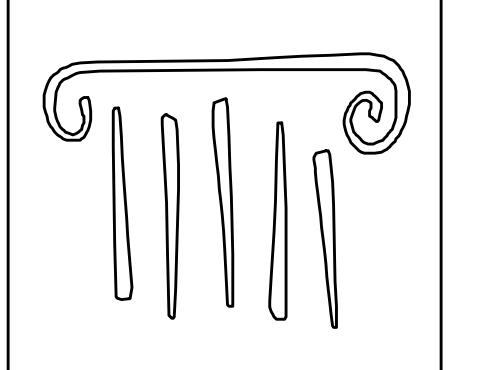
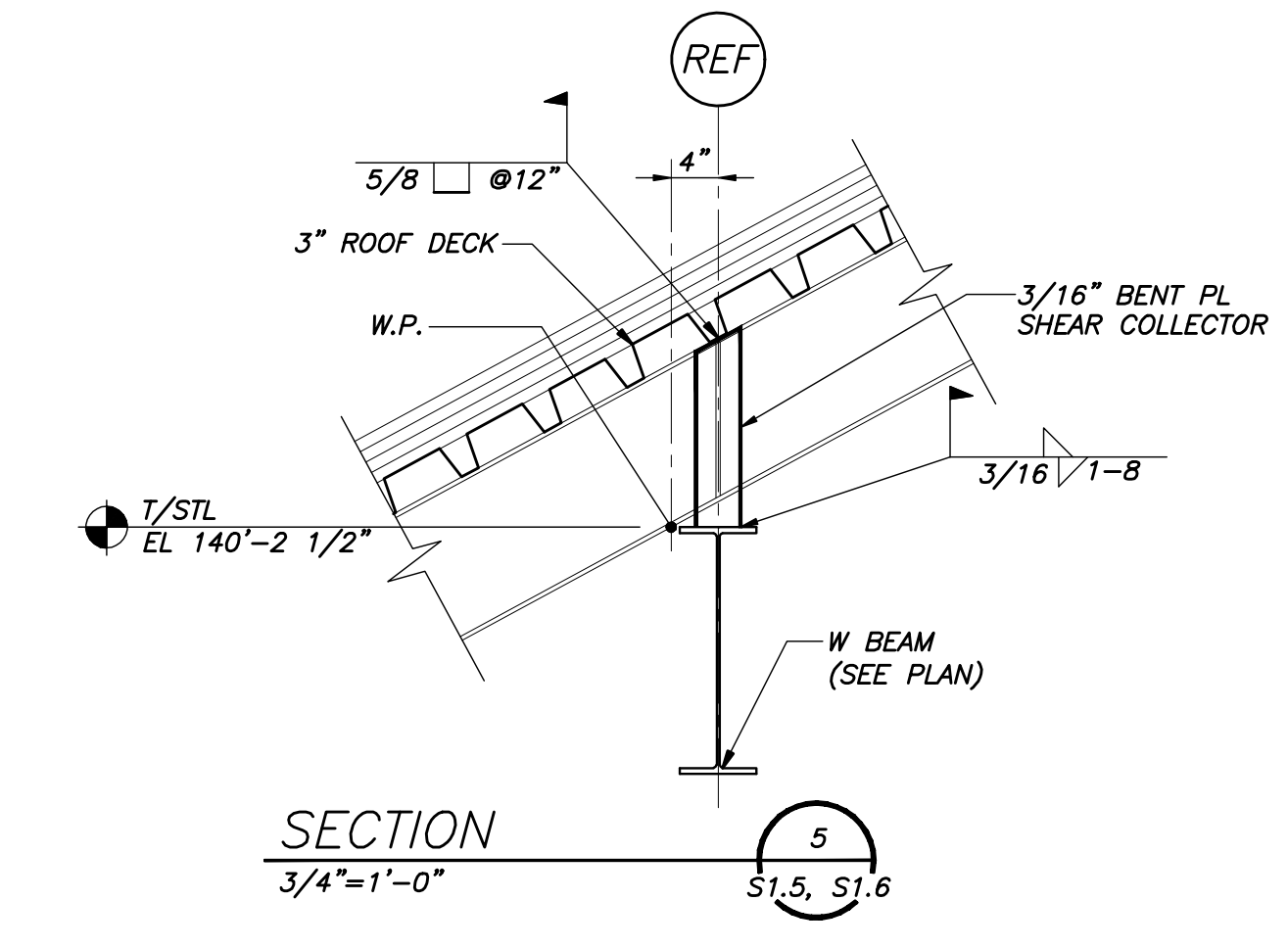
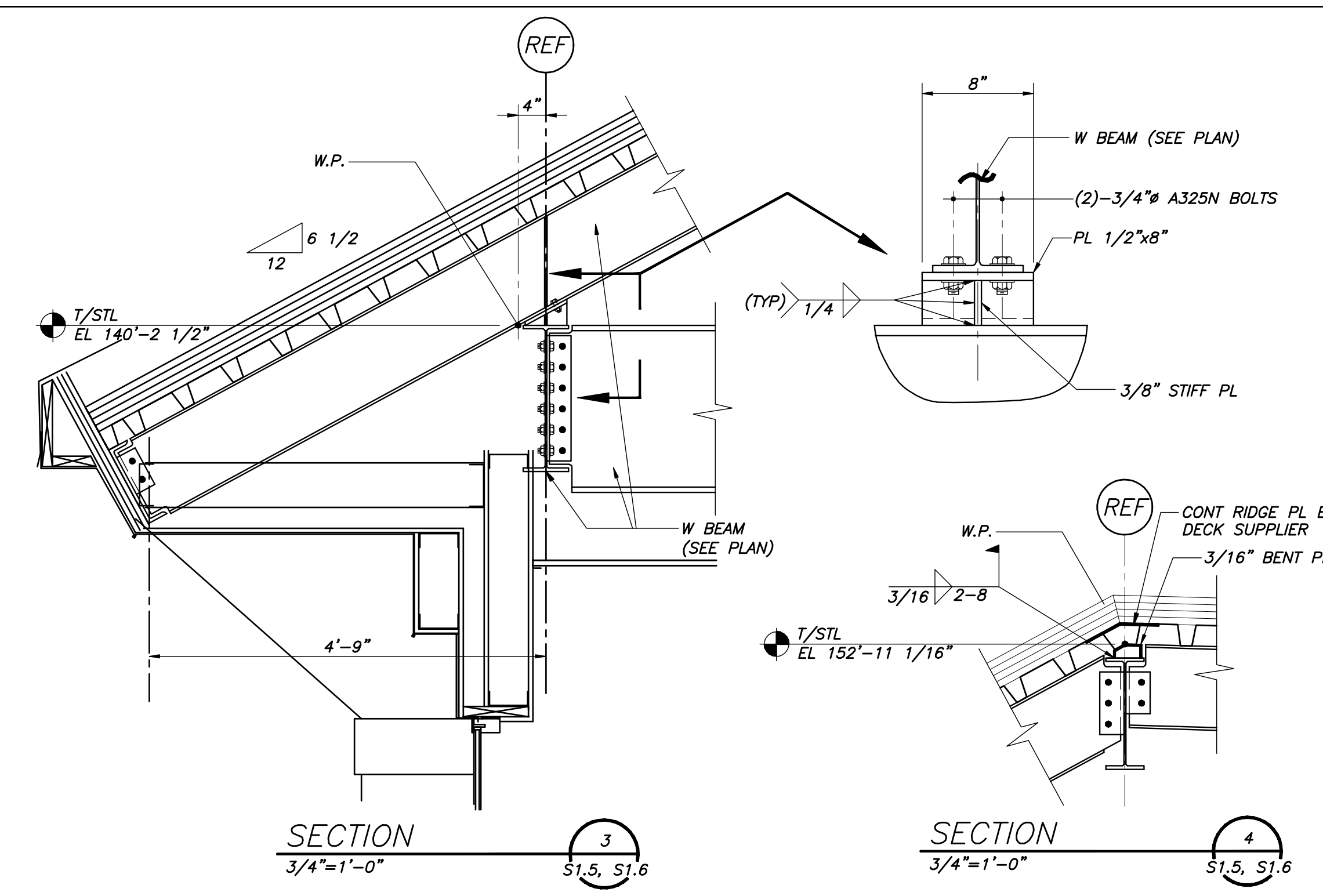
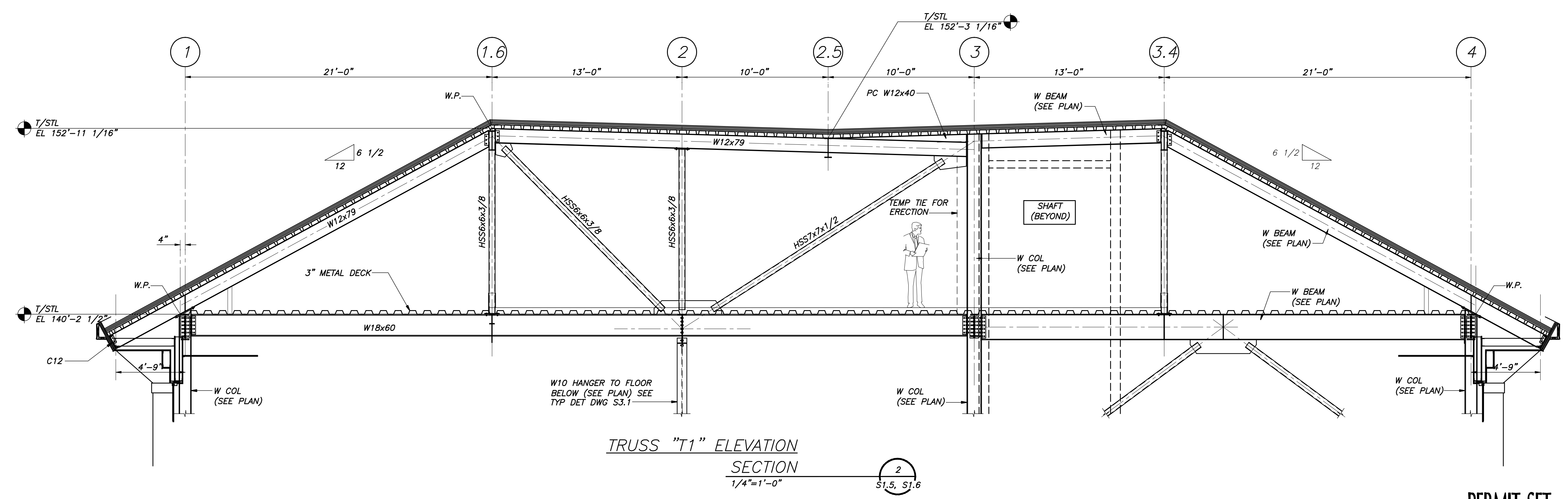
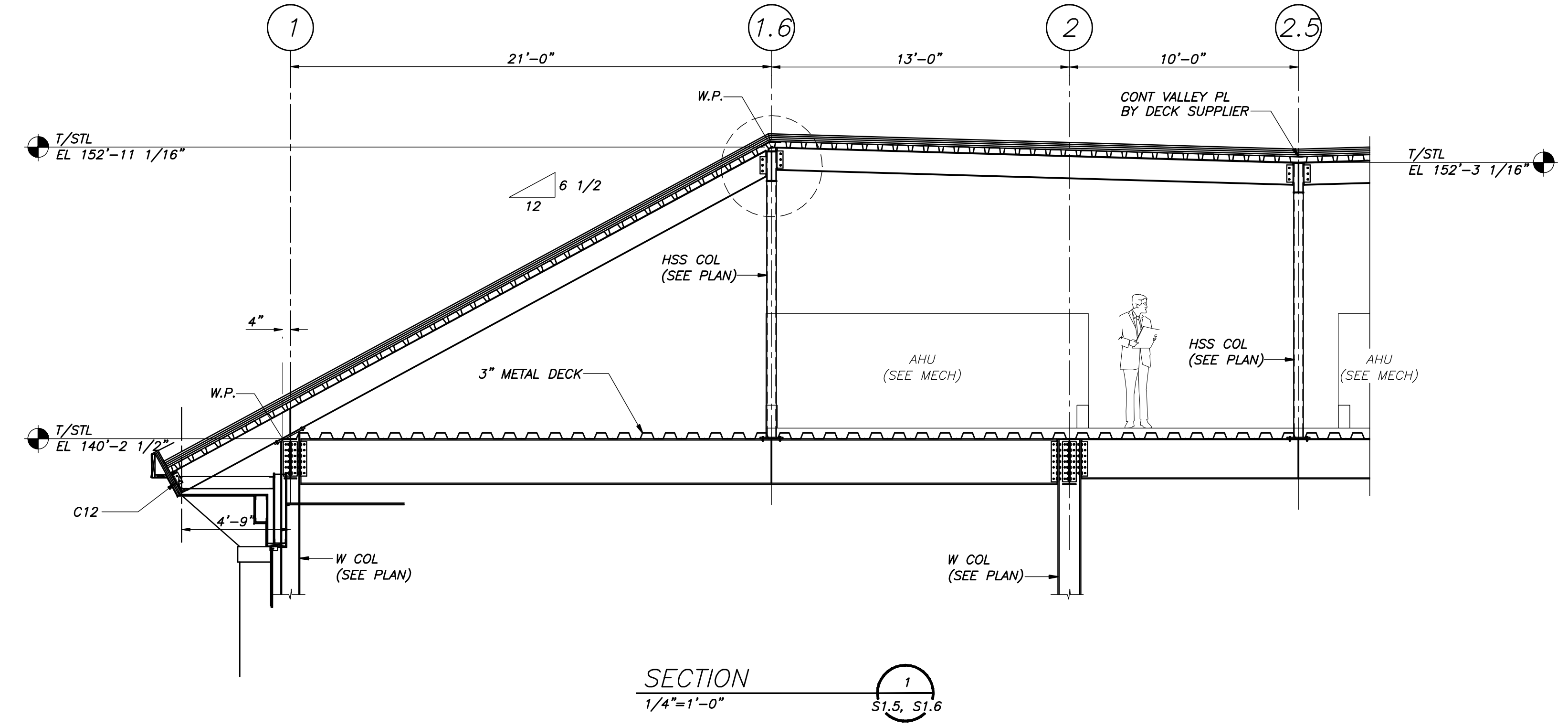
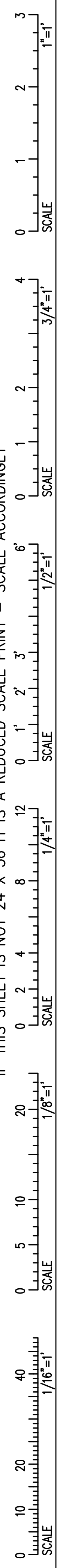
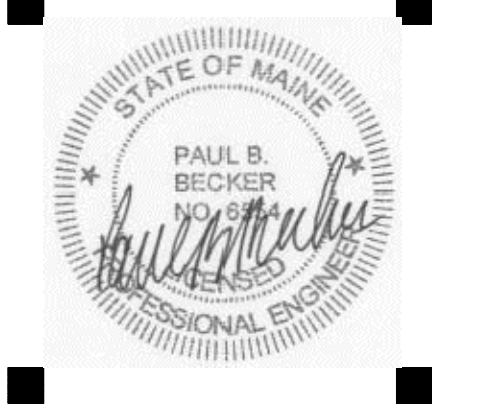


IF THIS SHEET IS NOT 24 X 36 IT IS A REDUCED SCALE PRINT - SCALE ACCORDINGLY



PORT CITY ARCHITECTURE

65 NEWBURY STREET
PORTLAND, ME 04101
207.761.9000
fax: 207.761.2010
lita@portcityarch.com



JACOBS CONSULTANCY
GPR Laboratory Planning Practice

VANZELM ENGINEERS
VANZELM TREYWOOD & BRADFORD, INC.

BECKER structural engineers, inc.

SYTDesign CONSULTANTS
CIVIL ENGINEERING & LANDSCAPE ARCHITECTURE

ALLIED/COOK CONSTRUCTION

Favreau

Titan Mechanical, Inc.
Design-Build Engineering - Mechanical Consulting

UNIVERSITY OF NEW ENGLAND

COLLEGE OF PHARMACY

716 STEVENS AVENUE, PORTLAND, ME

#	DATE	DESCRIPTION
		PERMIT SET
	01/24/08	Date issued
	06506	Project Number

SHEET NAME
FRAMING SECTIONS & DETAILS

Drawn By
APP
Checked By
DSB

S3.3

PERMIT SET - NOT FOR CONSTRUCTION