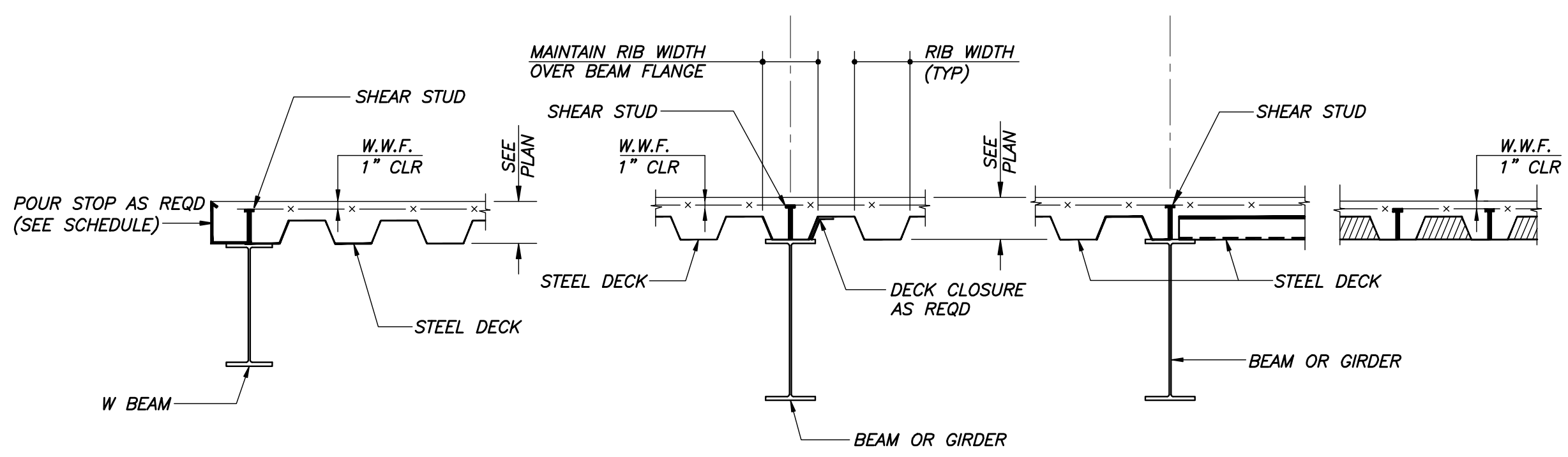
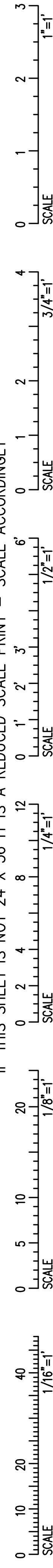
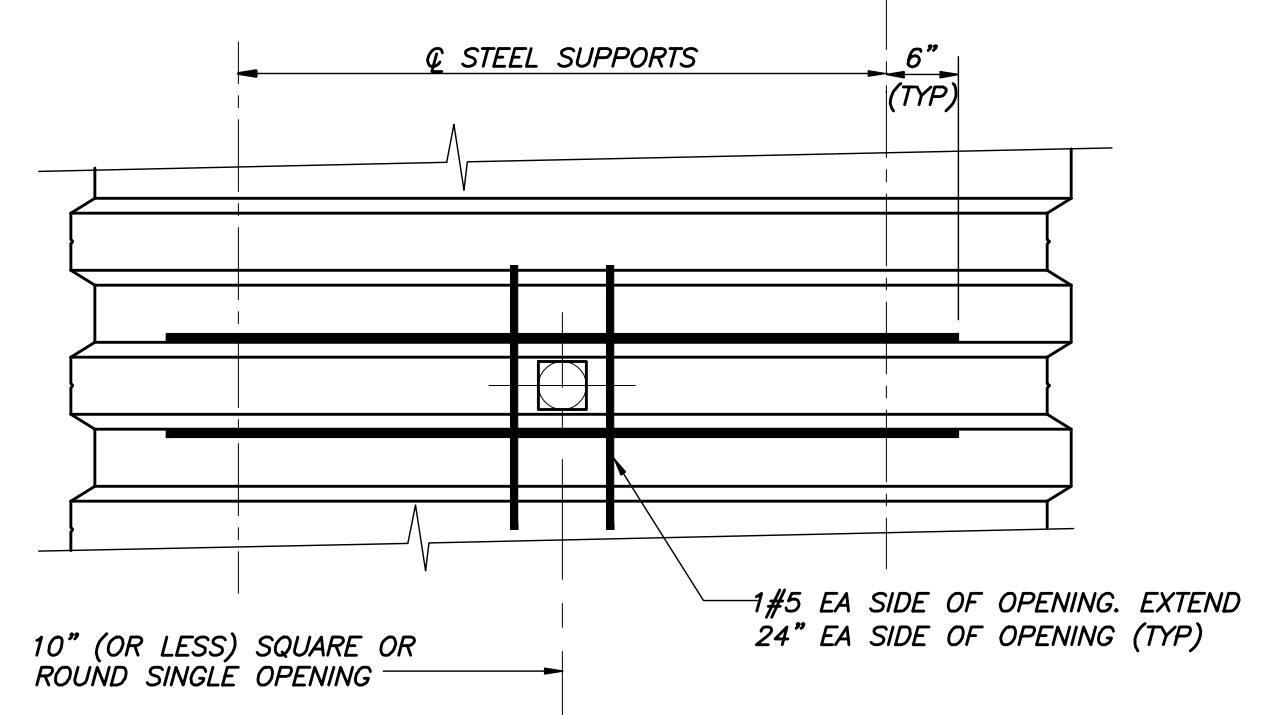


IF THIS SHEET IS NOT 24 X 36 IT IS A REDUCED SCALE PRINT - SCALE ACCORDINGLY

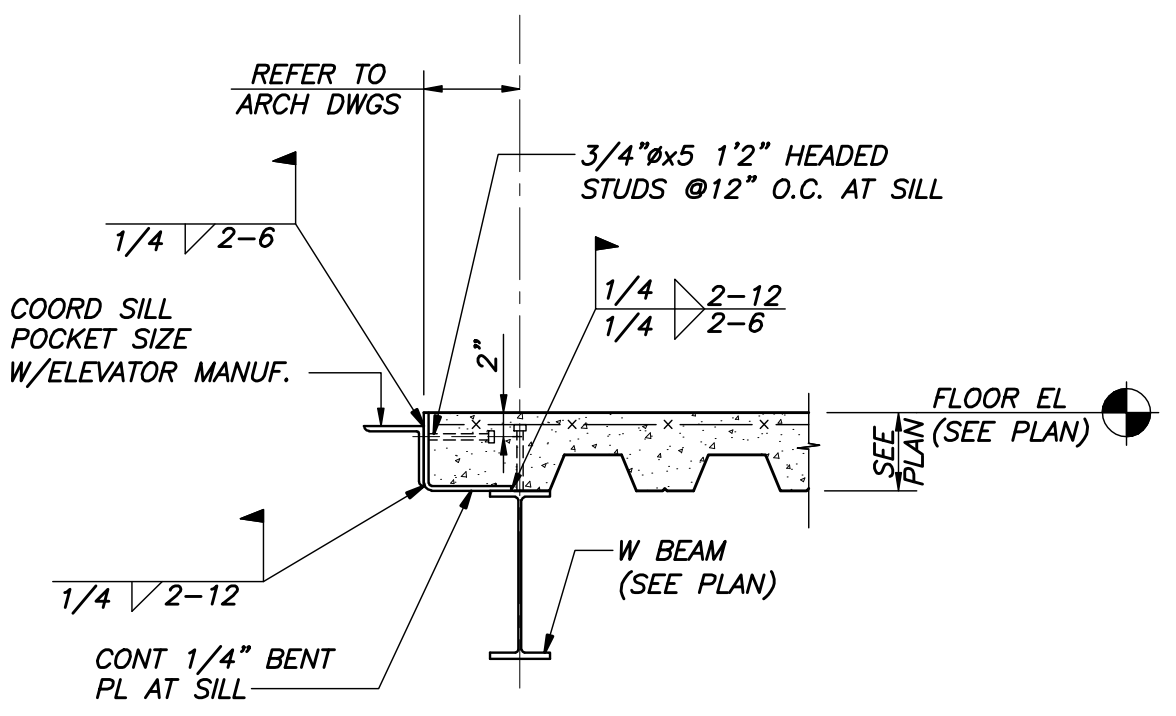


TYP COMPOSITE DECK DETAILS
N.T.S.

OVERHANG	POUR STOP GAGE
<3"	14 GA
3"-6"	12 GA
7"-9"	10 GA
>9"	SEE SECTIONS & DETAILS

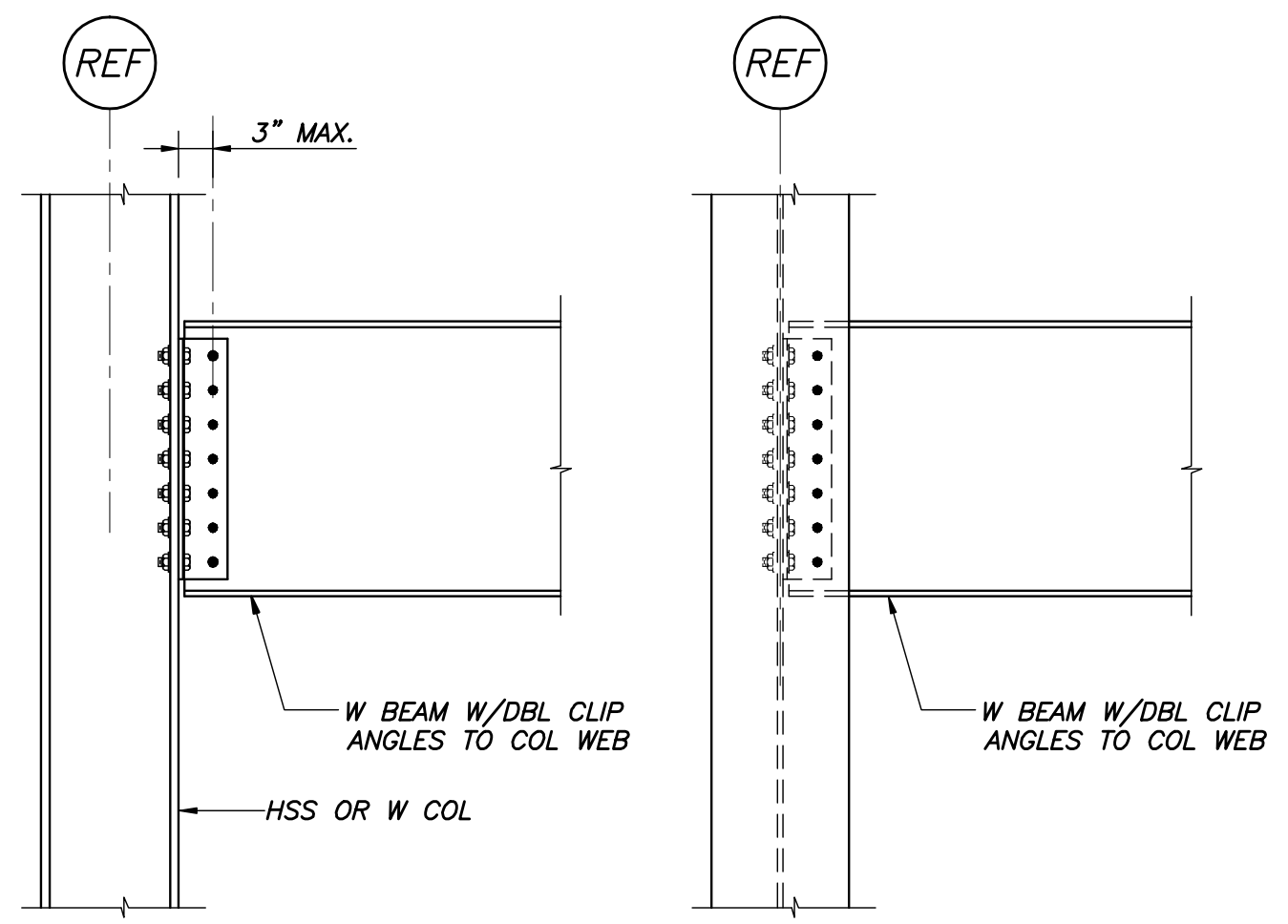


PLAN OF TYP OPENING IN COMPOSITE FLOOR DECK
N.T.S.

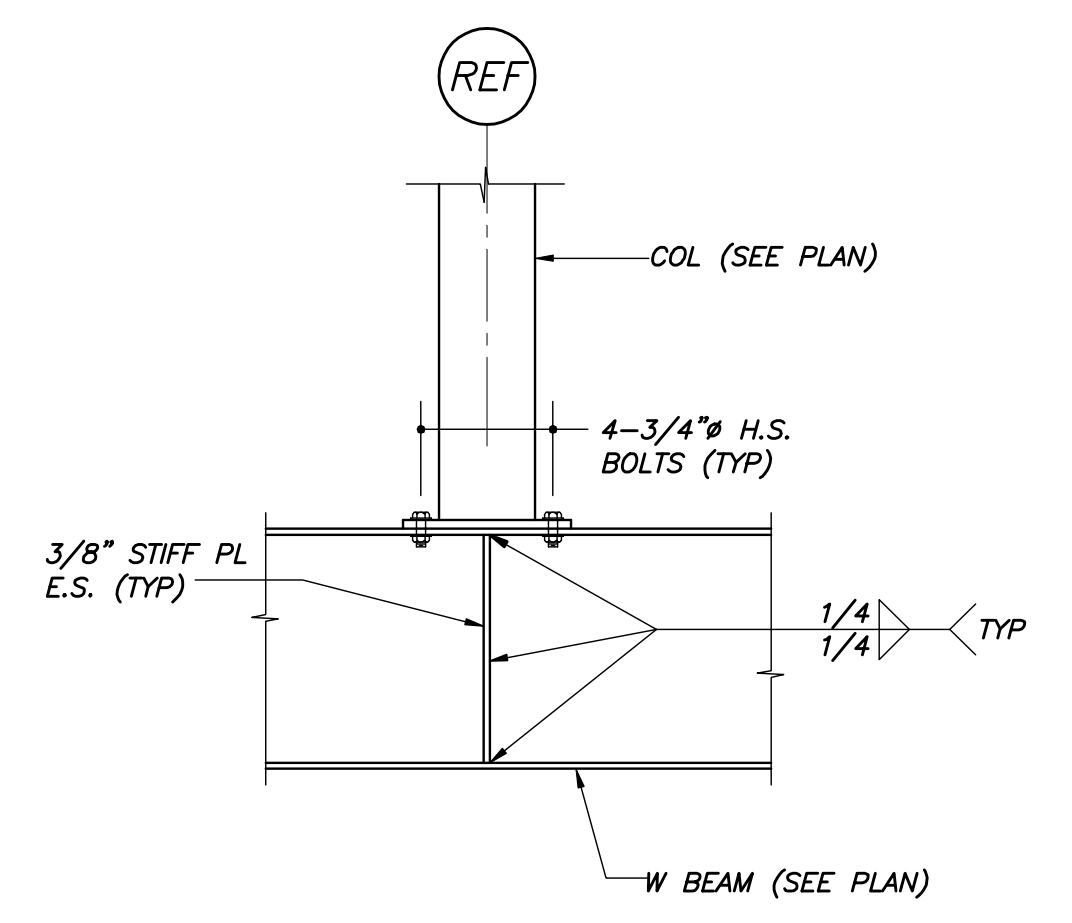


TYP ELEVATOR SILL DETAIL, U.N.O.
N.T.S.

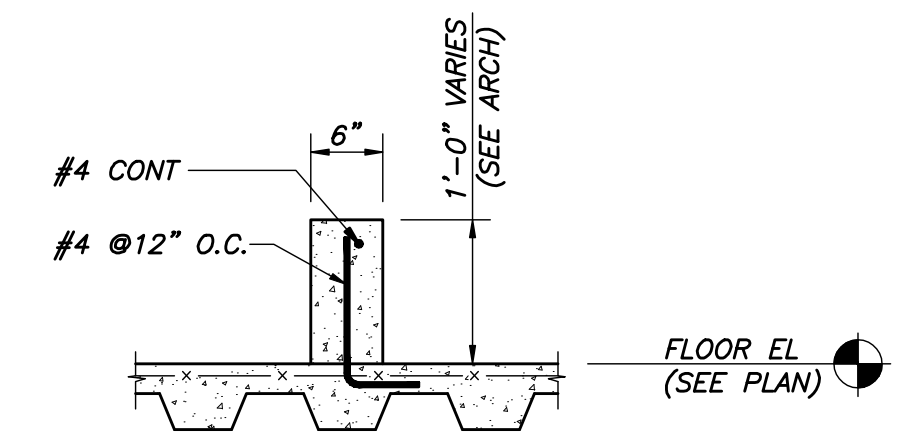
NOTE: COORD W/ARCH DWGS AND ELEVATOR MANUF REQMNTS



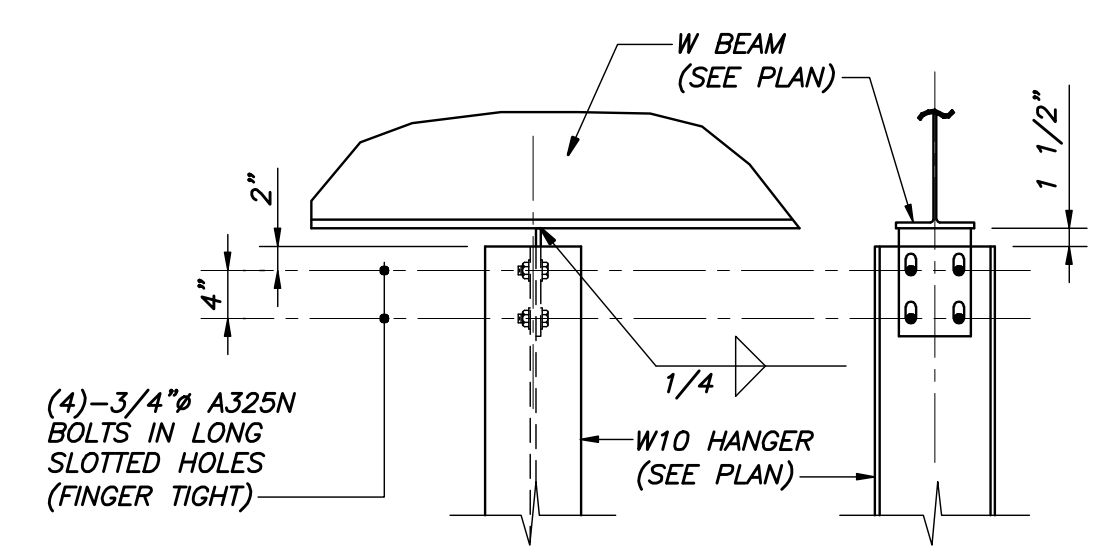
TYP BEAM/COL CONN DETAILS
N.T.S.



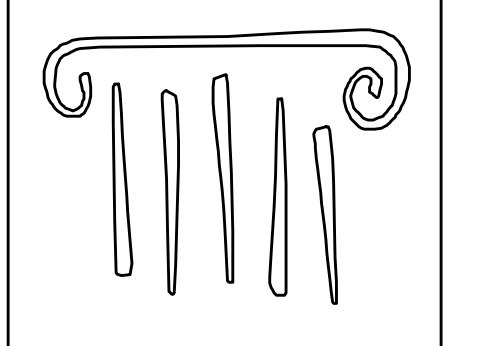
TYP COL TRANSFER DETAIL
N.T.S.



TYP CONCRETE CURB AT MECH MEZZ, U.N.O.
N.T.S.

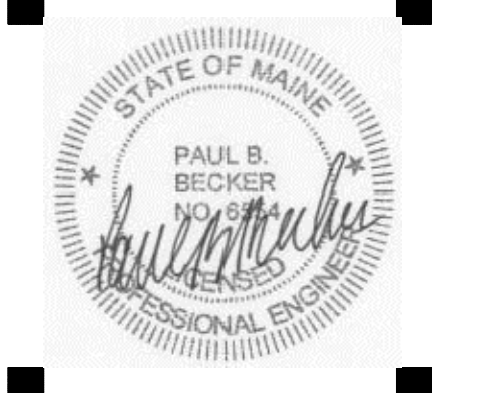


TYP HANGER DETAIL
N.T.S.



PORT CITY ARCHITECTURE

65 NEWBURY STREET
PORTLAND, ME 04101
207.761.9000
fax: 207.761.2010
lita@portcityarch.com



JACOBS CONSULTANCY
GPR Laboratory Planning Practice

VANZELM ENGINEERS
VANZELM WOOD & BRADFORD, INC.

BECKER structural engineers, inc.

SYTDesign CONSULTANTS
CIVIL ENGINEERING & LANDSCAPE ARCHITECTURE

ALLIED/COOK CONSTRUCTION

Favreau ELECTRIC

Titan Mechanical, Inc.
Design-Build Engineering - Mechanical Consulting

UNIVERSITY OF NEW ENGLAND

COLLEGE OF PHARMACY

716 STEVENS AVENUE, PORTLAND, ME

#	DATE	DESCRIPTION
		PERMIT SET
	01/24/08	Date Issued
	06506	Project Number

SHEET NAME
FRAMING SECTIONS & DETAILS

Drawn By
APP
Checked By
DSB

S3.1

PERMIT SET - NOT FOR CONSTRUCTION