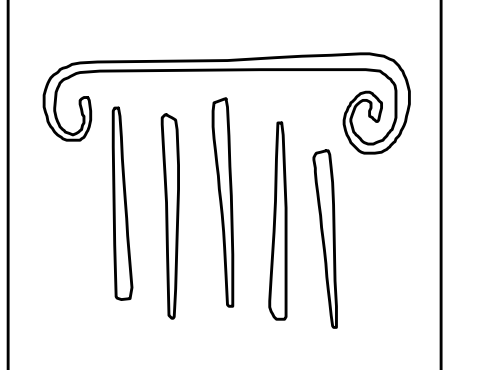
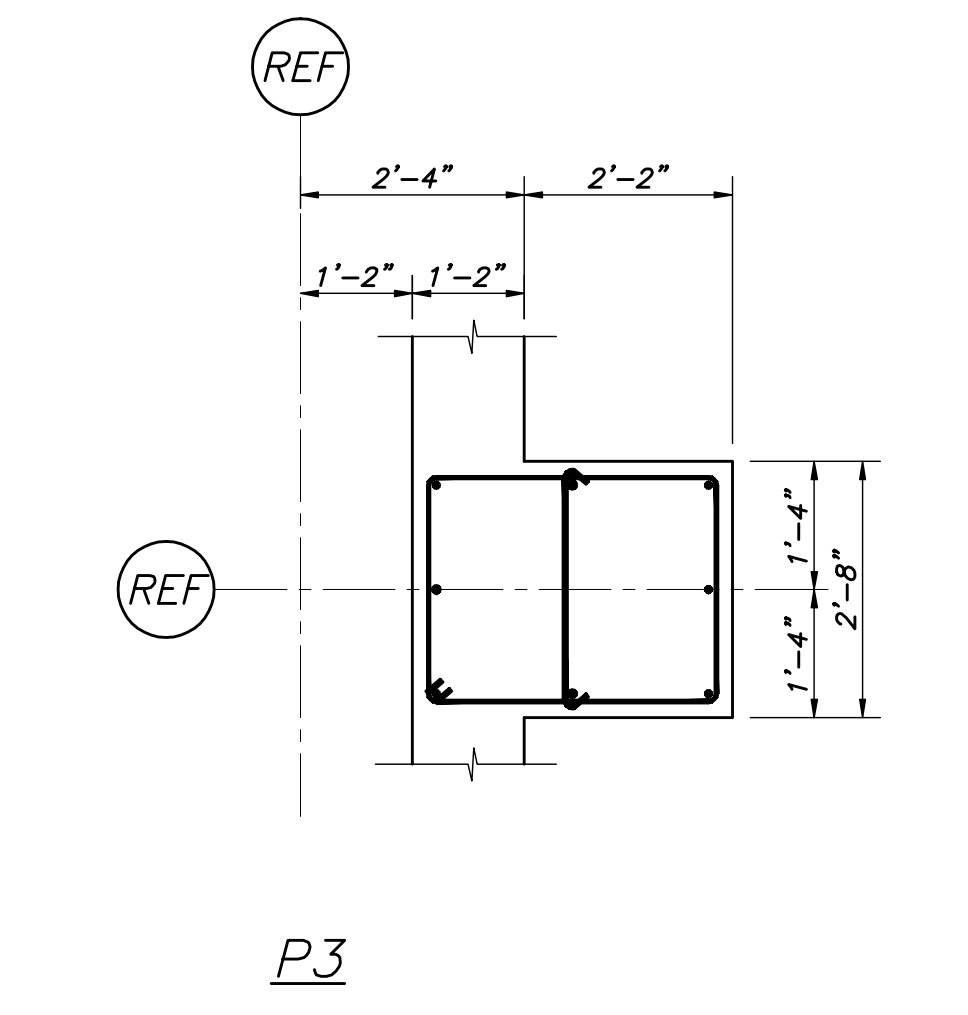
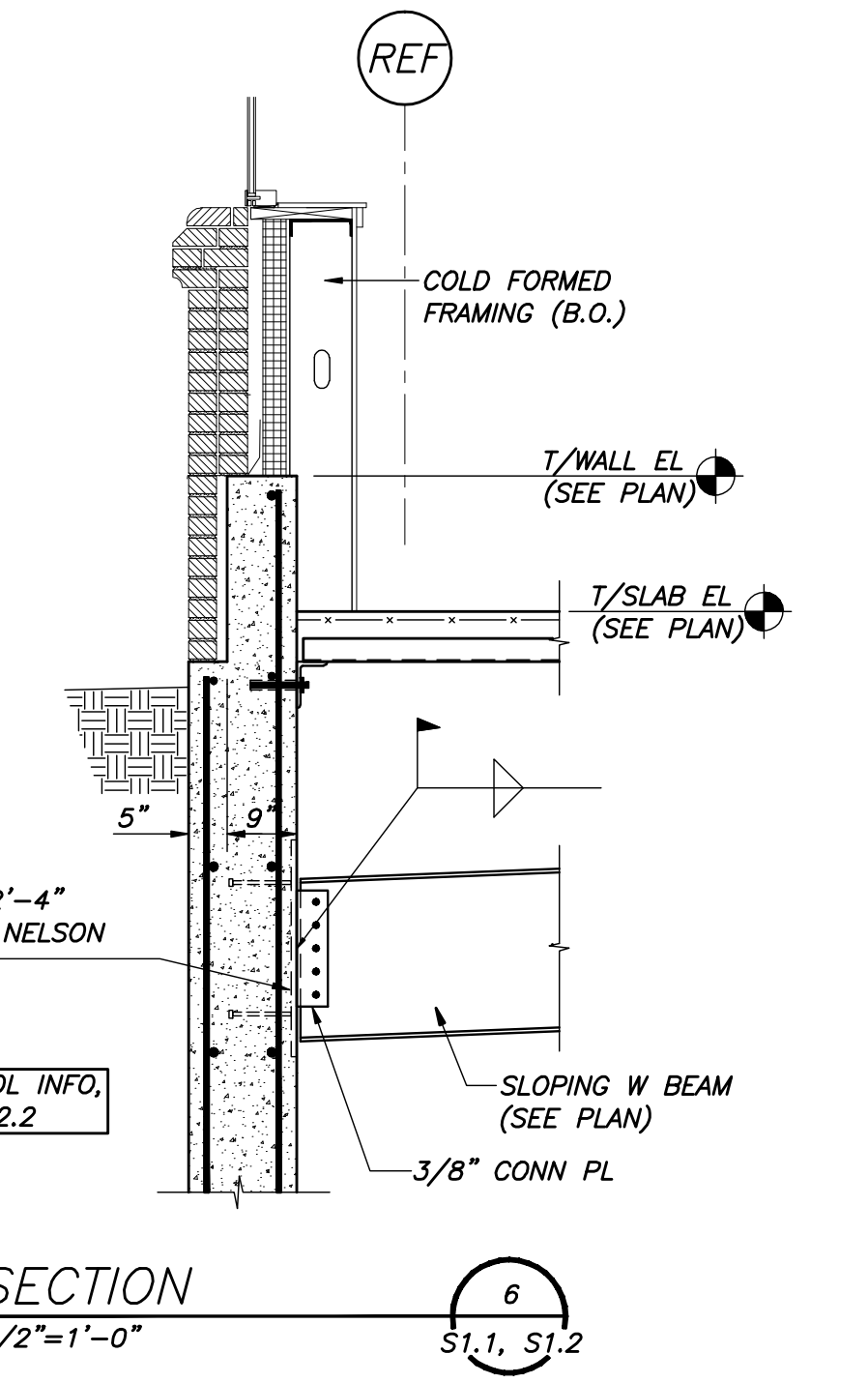
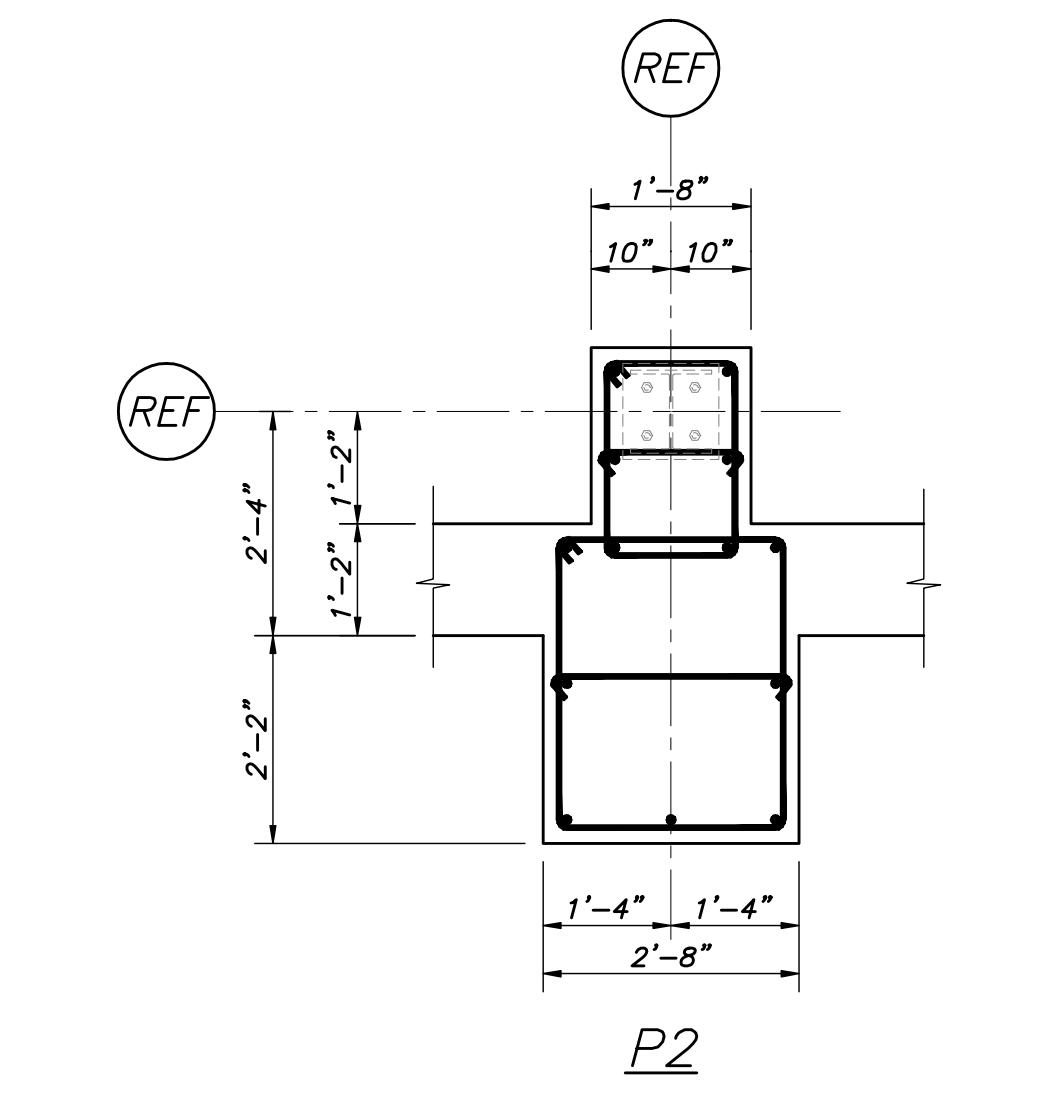
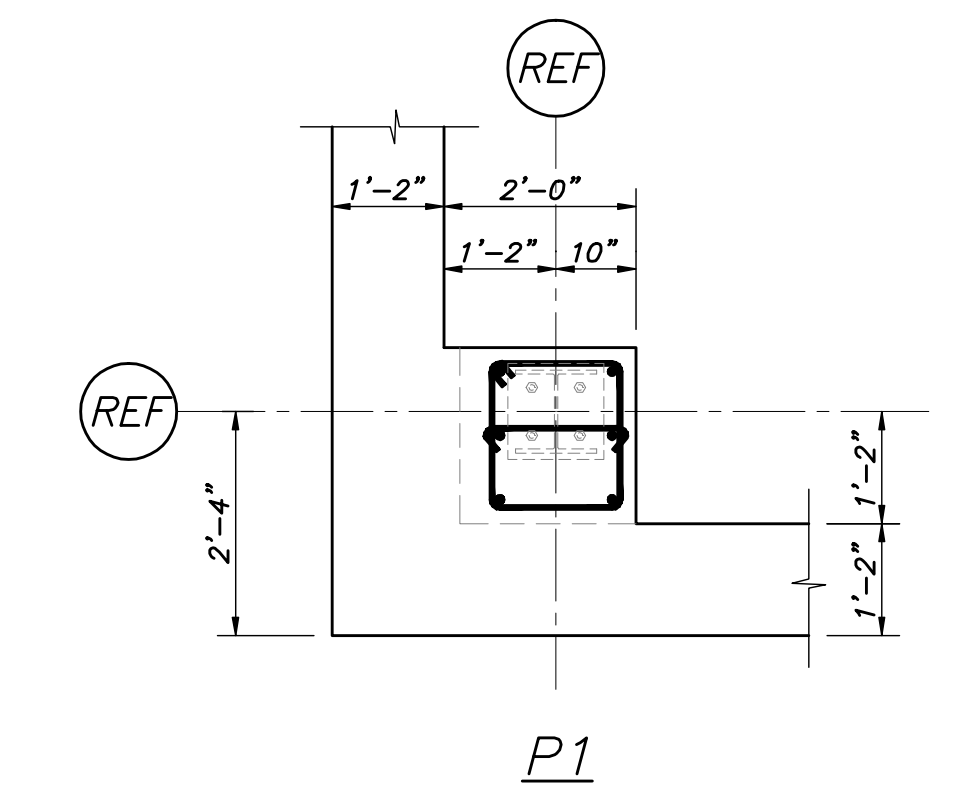
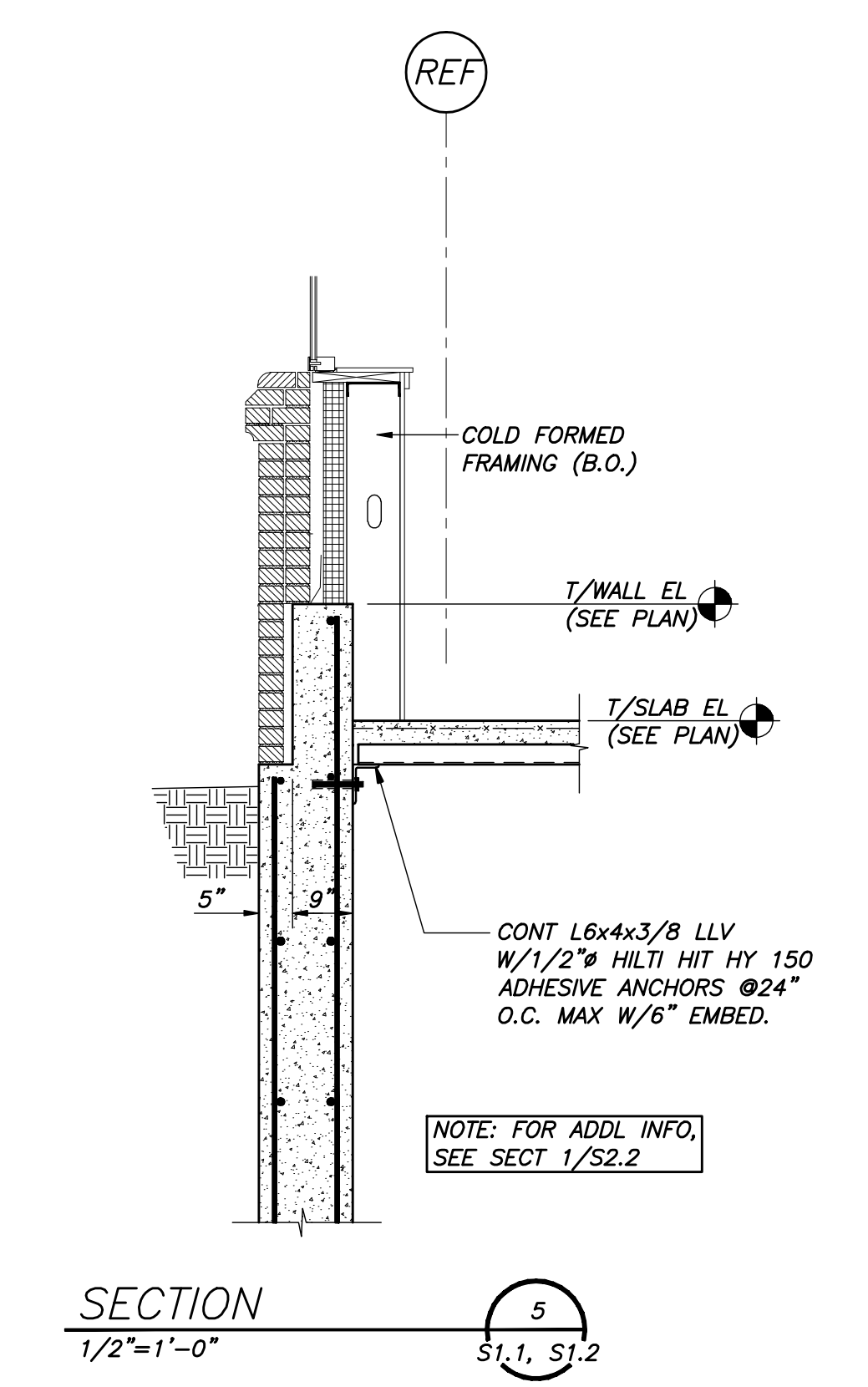
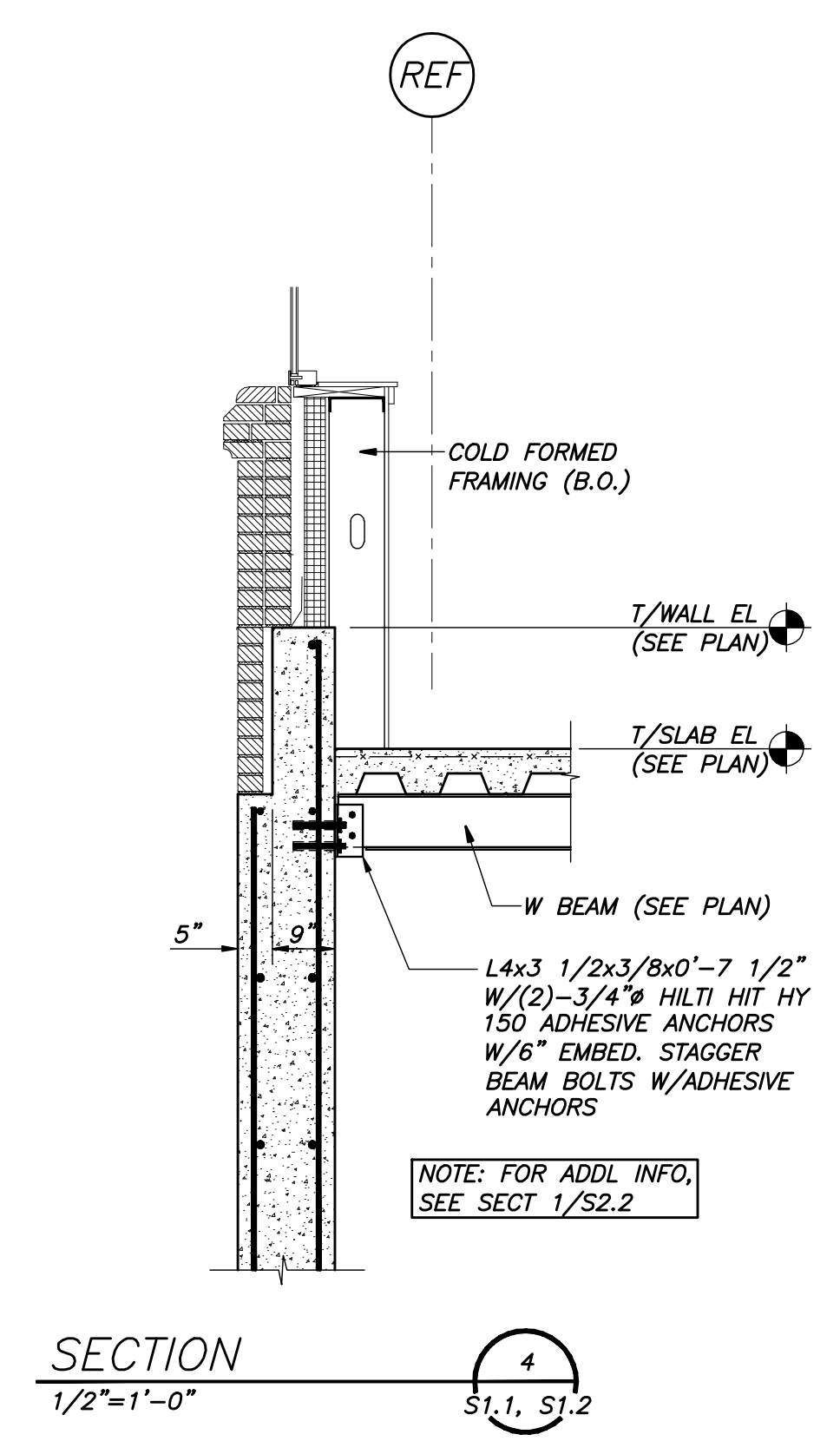
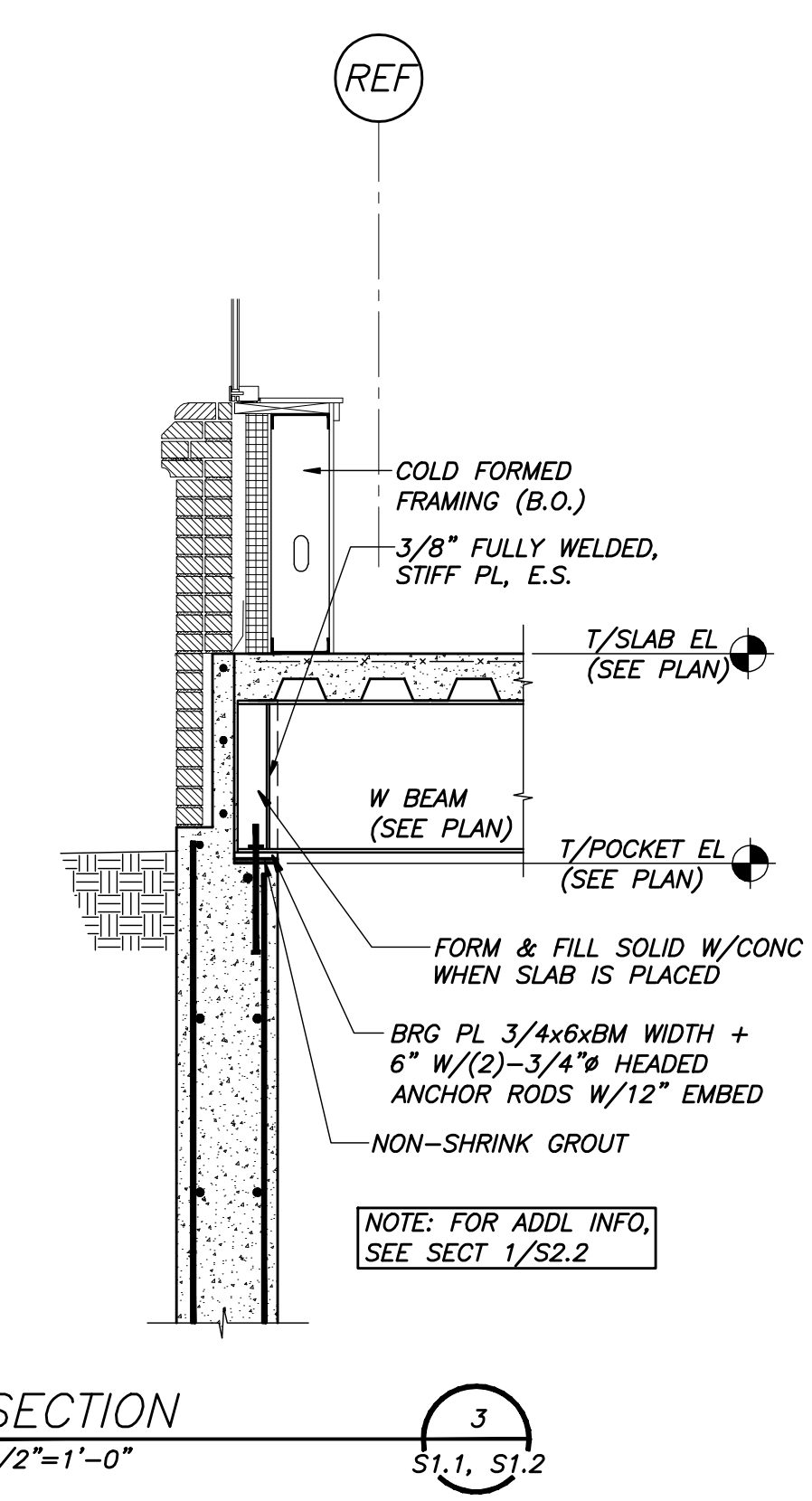
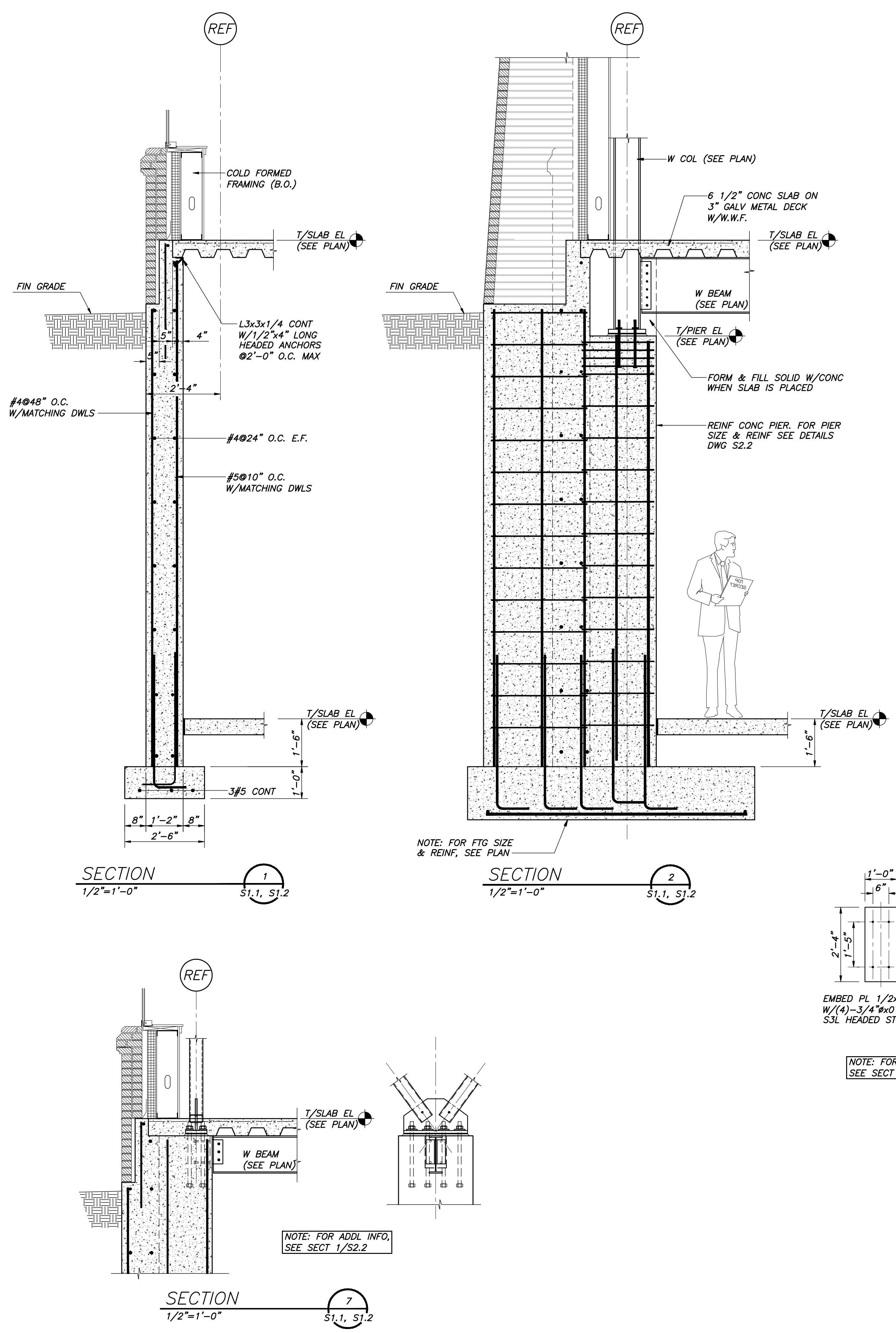
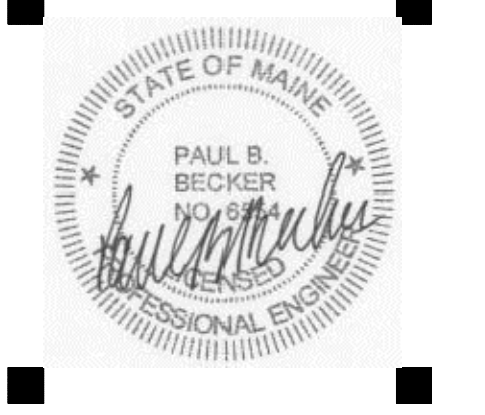


IF THIS SHEET IS NOT 24 X 36 IT IS A REDUCED SCALE PRINT - SCALE ACCORDINGLY



**PORT CITY ARCHITECTURE**

65 NEWBURY STREET  
PORTLAND, ME 04101  
207.761.9000  
fax: 207.761.2010  
lita@portcityarch.com



**JACOBS CONSULTANCY**  
GPR Laboratory Planning Practice

**VANZELM ENGINEERS**  
VANZELM TREYWOOD & BRADFORD, INC.

**BECKER structural engineers, inc.**

**SYTDesign CONSULTANTS**  
CIVIL ENGINEERING & LANDSCAPE ARCHITECTURE

**ALLIED/COOK CONSTRUCTION**

**Favreau**

**Titan Mechanical, Inc.**  
Design Build Engineering - Mechanical Consulting

**UNIVERSITY OF NEW ENGLAND**

**COLLEGE OF PHARMACY**

716 STEVENS AVENUE, PORTLAND, ME

#	DATE	DESCRIPTION
		PERMIT SET
	01/24/08	Date Issued
	06506	Project Number

SHEET NAME  
**CONCRETE SECTIONS**

Drawn By  
APP  
Checked By  
DSB

**S2.2**

**PERMIT SET - NOT FOR CONSTRUCTION**