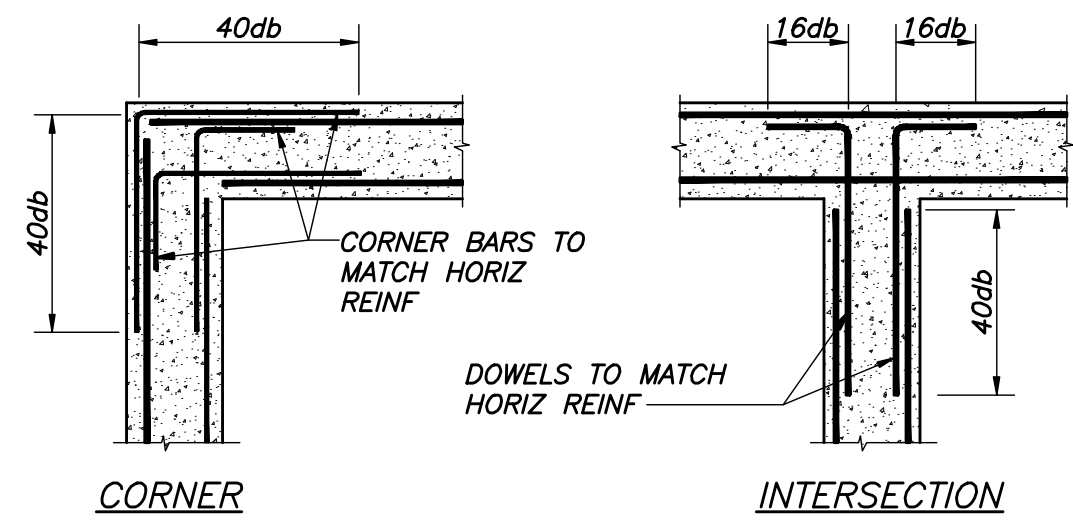
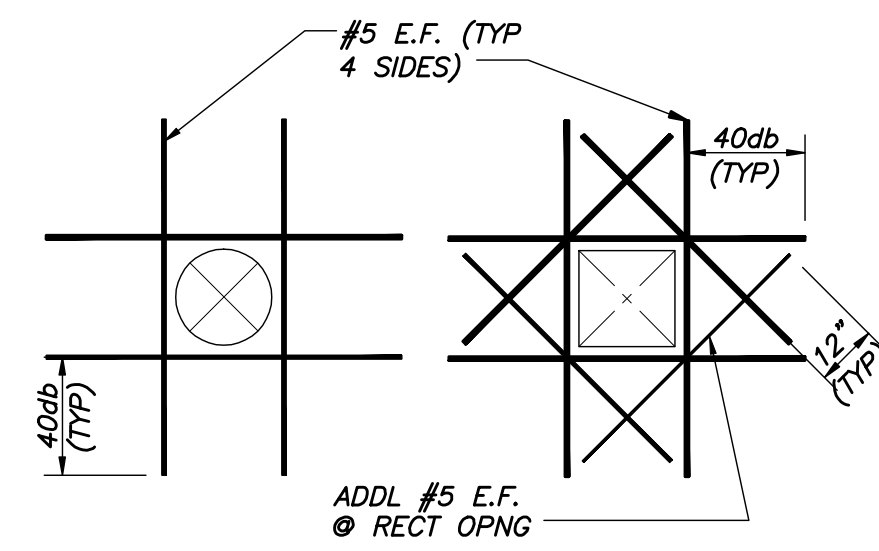


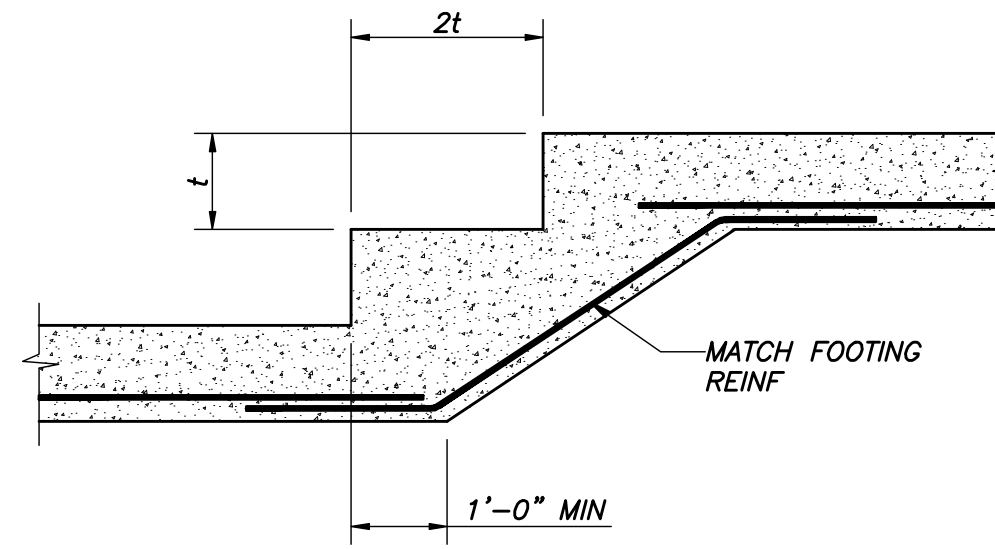
IF THIS SHEET IS NOT 24 X 36 IT IS A REDUCED SCALE PRINT - SCALE ACCORDINGLY



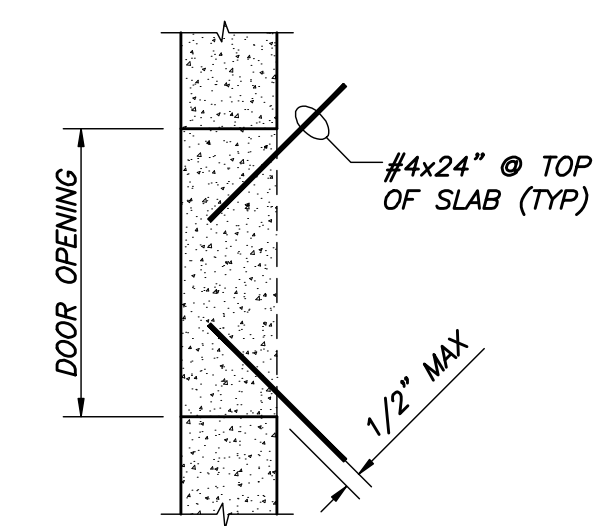
TYP WALL REINF DETAILS
N.T.S.



TYP OPENING IN WALL OR SLAB DETAIL
N.T.S.

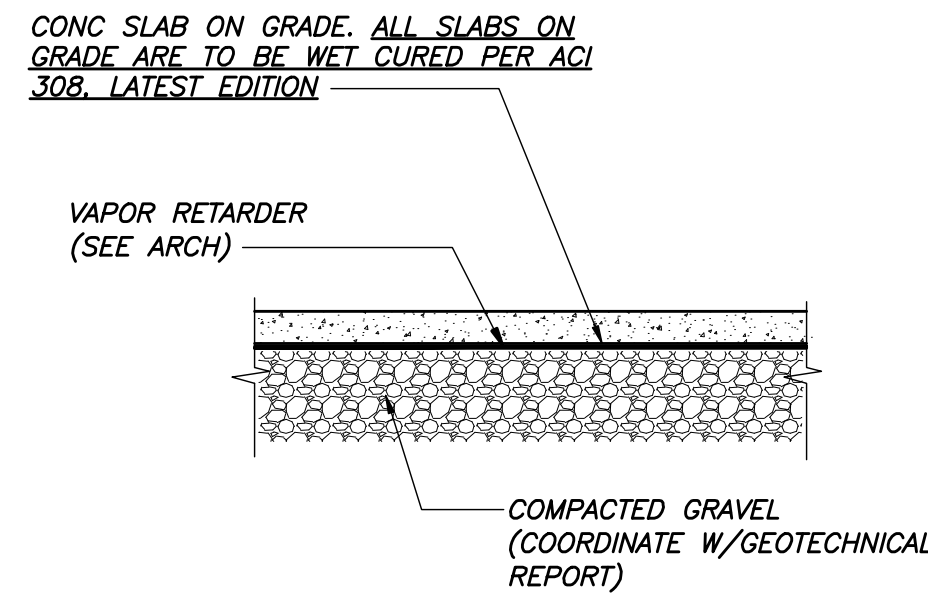


TYP STEP FOOTING DETAIL
N.T.S. t = FOOTING THICKNESS



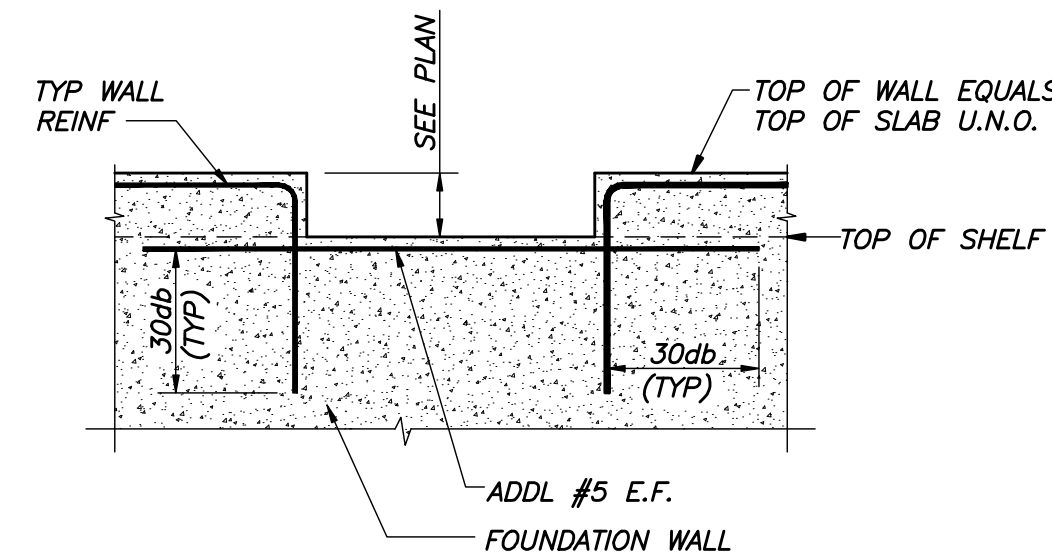
TYP SLAB CORNER DETAIL @ DOOR
N.T.S.

NOTE: ALSO PROVIDE #4x24" (TOP) IN SLAB @ INSIDE RE-ENTRANT CORNERS (SEE PLAN)

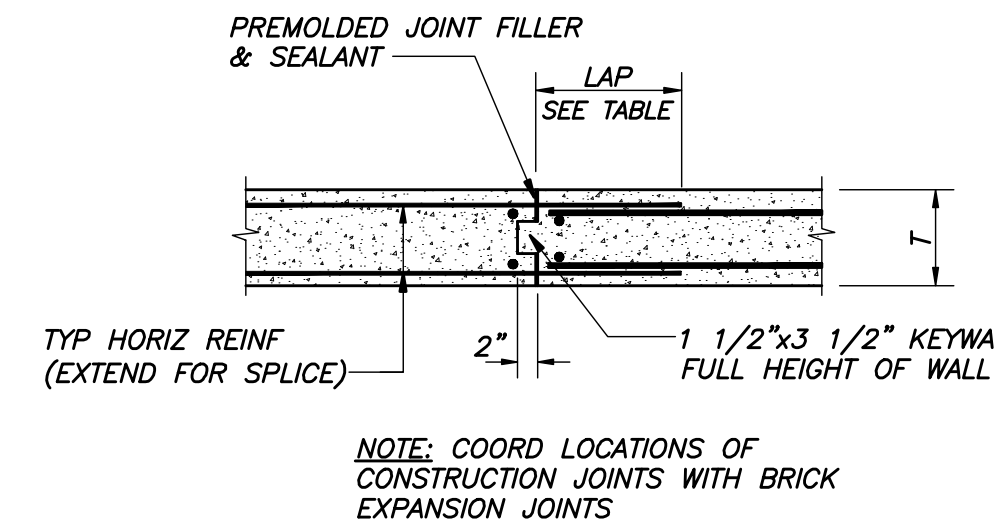


TYP SLAB DETAIL
N.T.S.

CONC SLAB ON GRADE. ALL SLABS ON GRADE ARE TO BE WET CURED PER ACI 308. LATEST EDITION

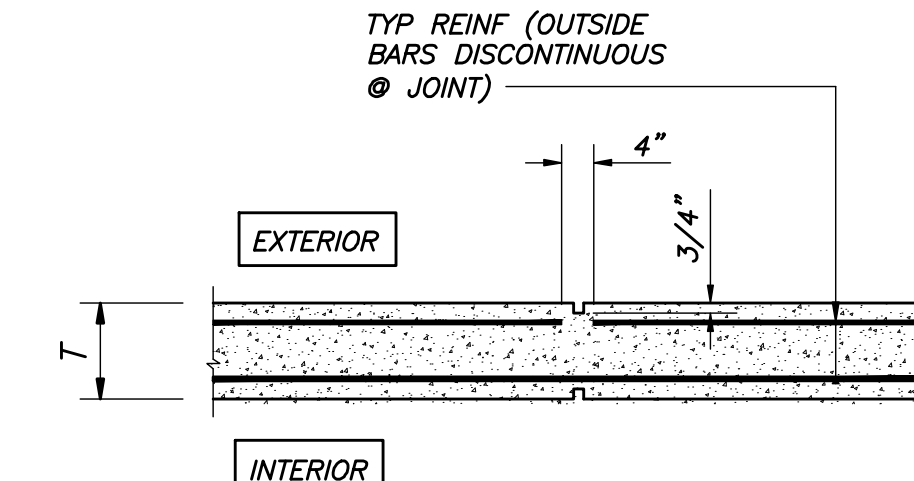


TYP WALL DEPRESSION DETAIL @ DOOR
N.T.S.



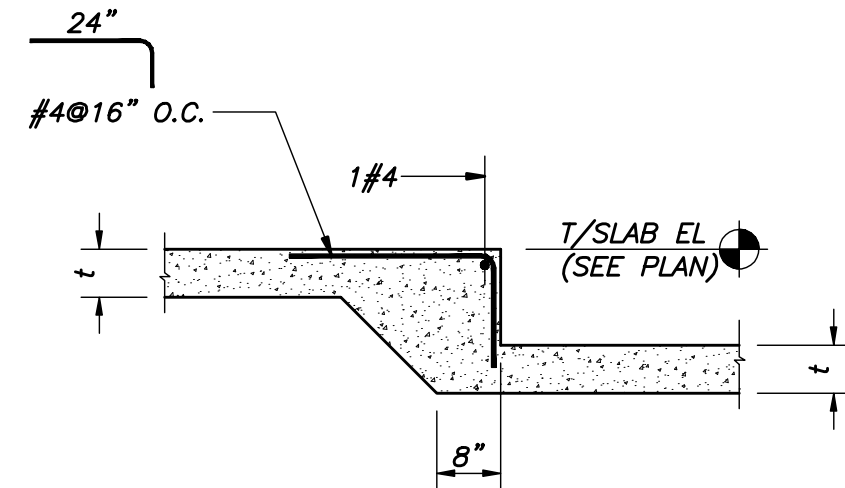
TYP CONSTRUCTION JOINT IN WALL
N.T.S. T = WALL THICKNESS

NOTE: COORD LOCATIONS OF CONSTRUCTION JOINTS WITH BRICK EXPANSION JOINTS

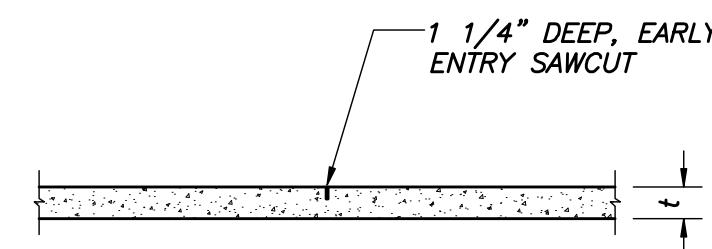


TYP CONTRACTION JOINT IN WALL
N.T.S. T = WALL THICKNESS

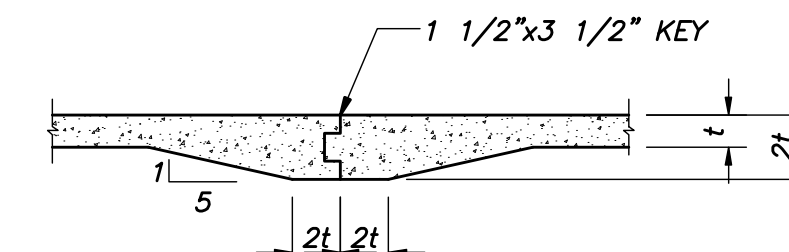
NOTE: COORD LOCATIONS OF CONTRACTION JOINTS WITH BRICK EXPANSION JOINTS



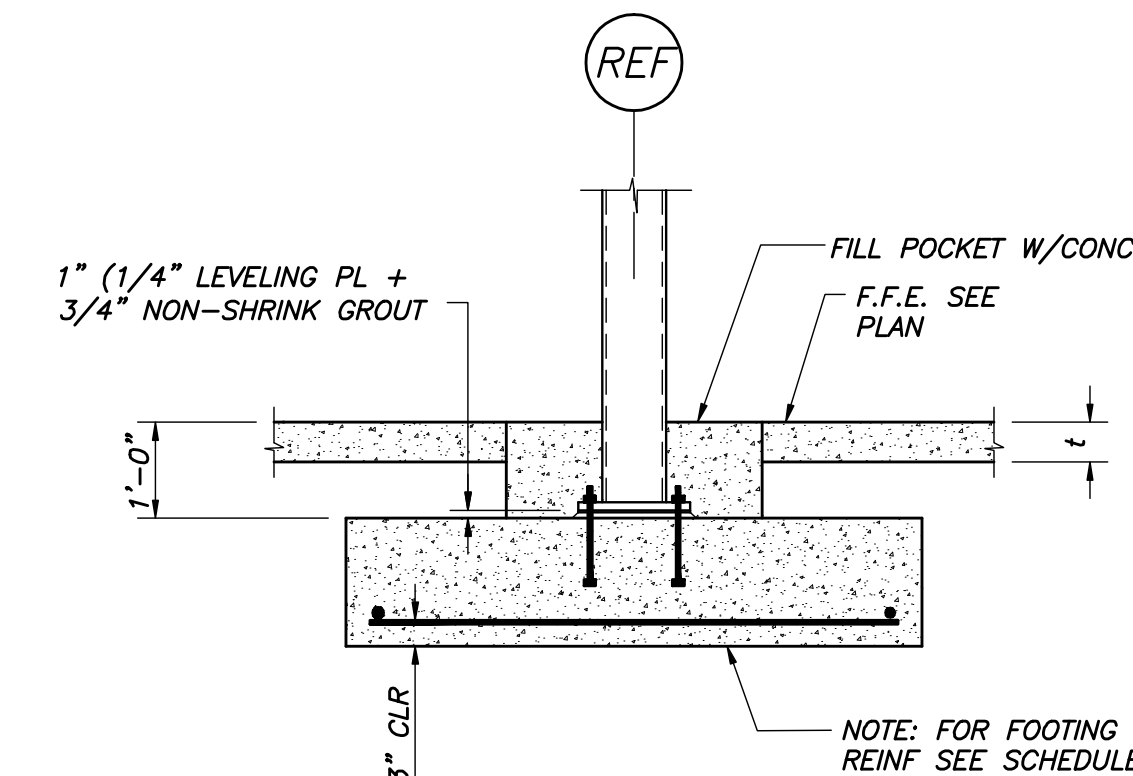
TYP SLAB ON GRADE DEPRESSION DETAIL
N.T.S. t = SLAB THICKNESS



TYP SLAB ON GRADE CONTRACTION JOINT DETAIL
N.T.S. t = SLAB THICKNESS

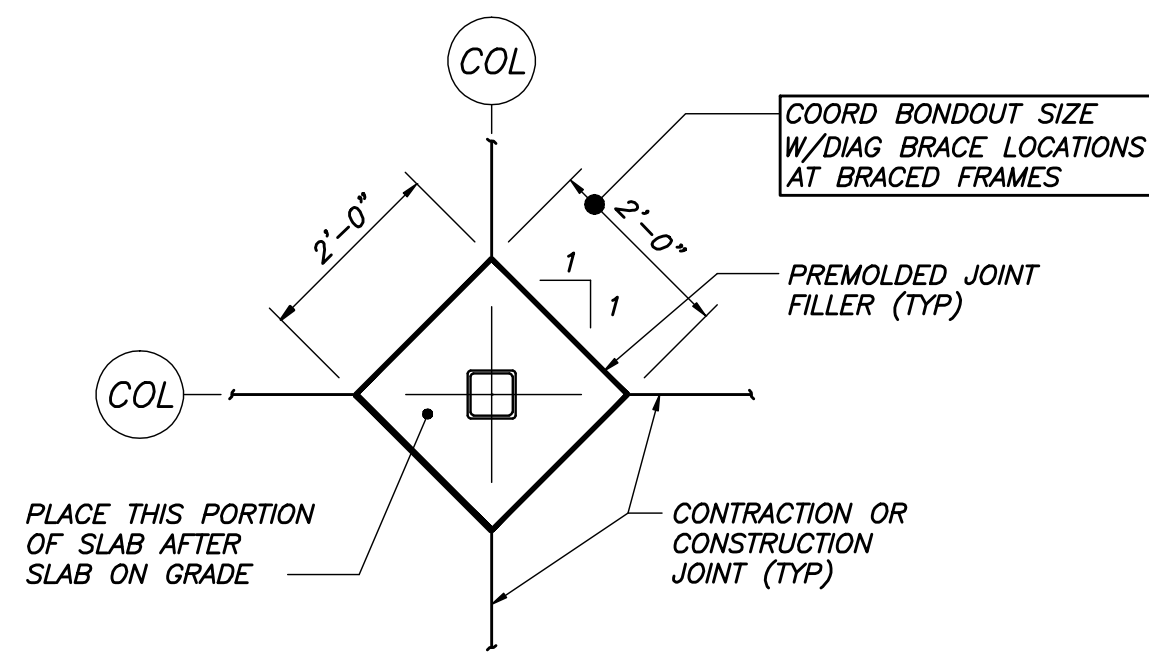


TYP SLAB ON GRADE CONST JOINT DETAIL
N.T.S. t = SLAB THICKNESS

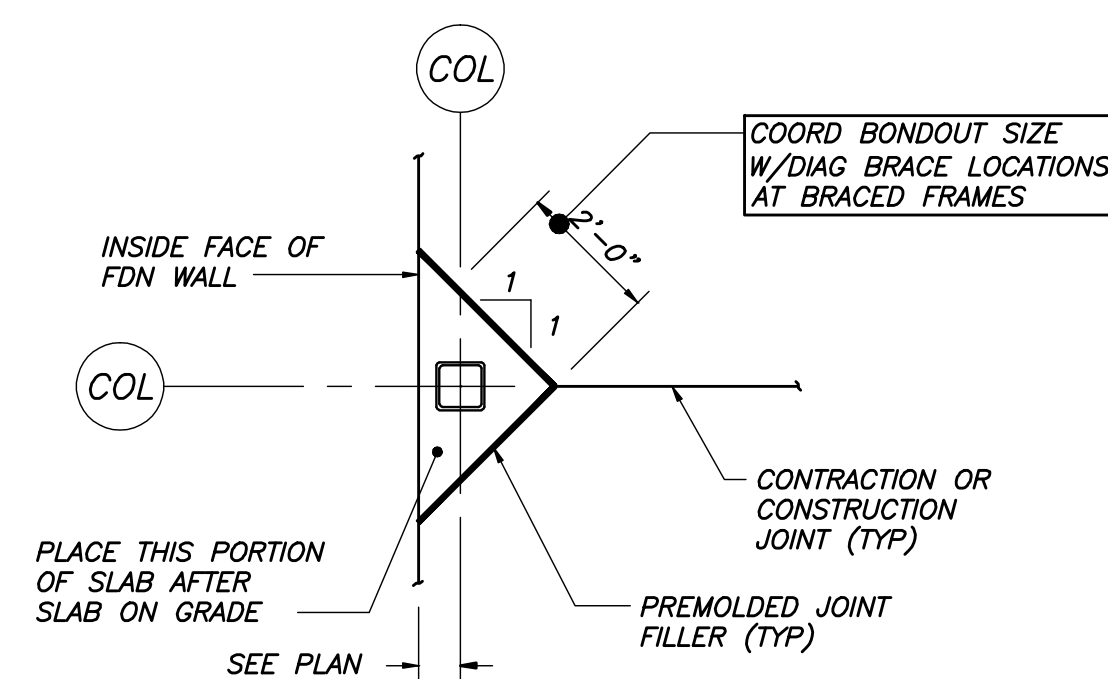


TYP INTERIOR FOOTING
N.T.S.

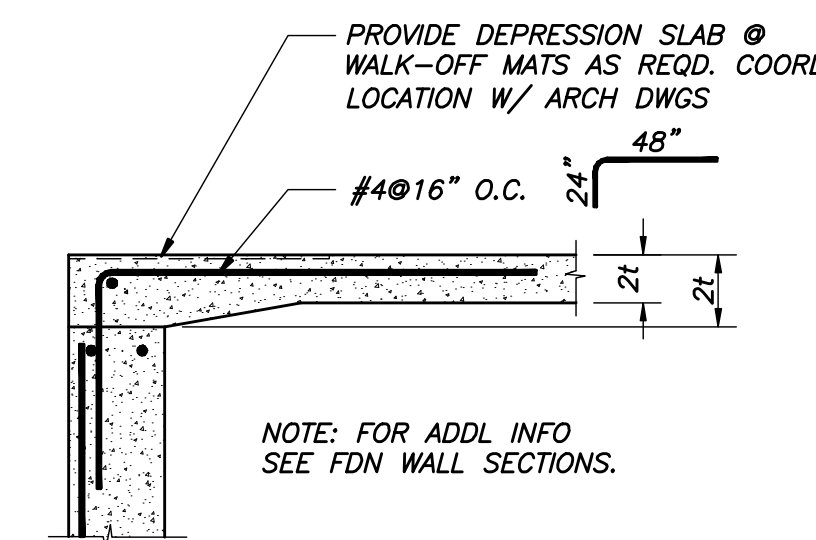
NOTE: FOR FOOTING SIZE & REINF SEE SCHEDULE.



TYP INT COLUMN ISOLATION JOINT DETAIL
N.T.S.

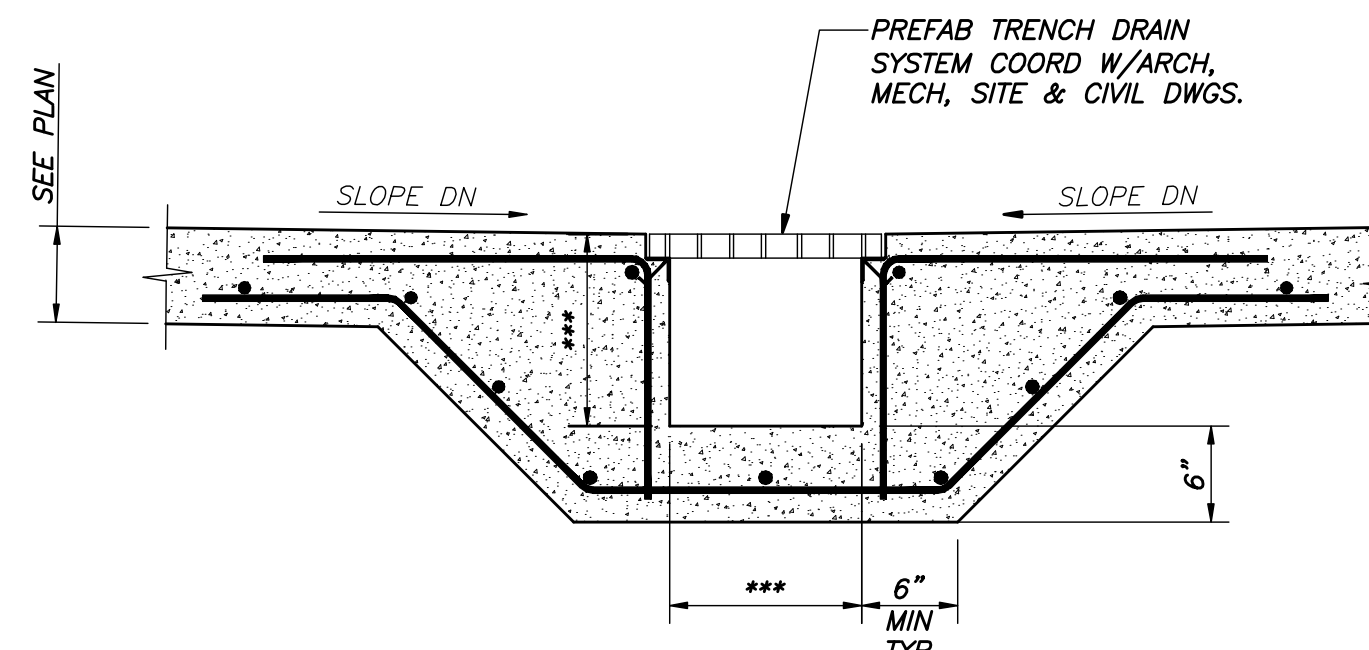


TYP EXT COLUMN ISOLATION JOINT DETAIL
N.T.S.



TYP SLAB DETAIL @ DOOR
N.T.S. t = SLAB THICKNESS

NOTE: FOR ADDL INFO SEE FDN WALL SECTIONS.



NOTES:
1. ***INDICATES DIM TO BE COORD W/ARCH, CIVIL & MECH DWGS.
2. SEE PLAN FOR SLAB REINF & SLOPING REQUIREMENTS.

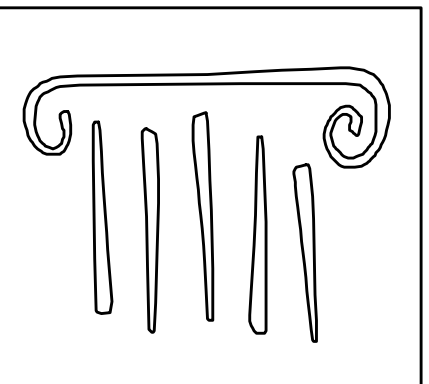
TYP TRENCH DRAIN DETAIL
N.T.S.

TYP EQUIPMENT HOUSEKEEPING PAD DETAIL
1/2"=1'-0"

BAR SIZE	LAP LENGTH	
	3,000 PSI	4,000 PSI
#3	30"	24"
#4	36"	32"
#5	48"	42"
#6	64"	56"
#7	81"	72"
#8	93"	80"

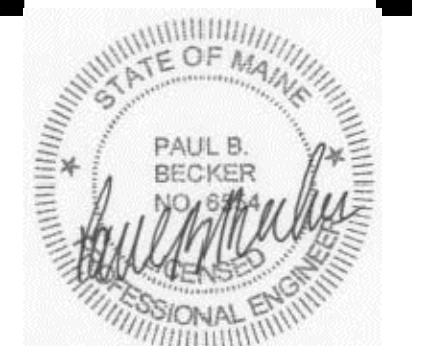
PERMIT SET - NOT FOR CONSTRUCTION

COPYRIGHT: Reuse or reproduction of the contents of this document is not permitted without written permission of PORT CITY ARCHITECTURE PA



PORT CITY ARCHITECTURE

65 NEWBURY STREET
PORTLAND, ME 04101
207.761.9000
fax: 207.761.2010
lita@portcityarch.com



JACOBS CONSULTANCY
GPR Laboratory Planning Practice

VANZELM ENGINEERS
VANZELM TREYWOOD & BRADFORD, INC.

BECKER
structural engineers, inc.

SYTDesign CONSULTANTS
CIVIL ENGINEERING & LANDSCAPE ARCHITECTURE

ALLIED/COOK CONSTRUCTION

Favreau
MECHANICAL

Titan Mechanical, Inc.
Design-Build Engineering - Mechanical Consulting

UNIVERSITY OF NEW ENGLAND

COLLEGE OF PHARMACY

716 STEVENS AVENUE, PORTLAND, ME

#	DATE	DESCRIPTION
		PERMIT SET
	01/24/08	Date Issued
	06506	Project Number

SHEET NAME
TYPICAL CONCRETE DETAILS

Drawn By
APP
Checked By
DSB

S2.1