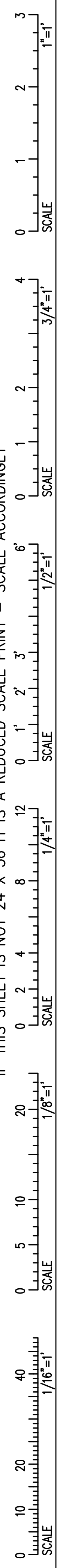


IF THIS SHEET IS NOT 24 X 36 IT IS A REDUCED SCALE PRINT - SCALE ACCORDINGLY

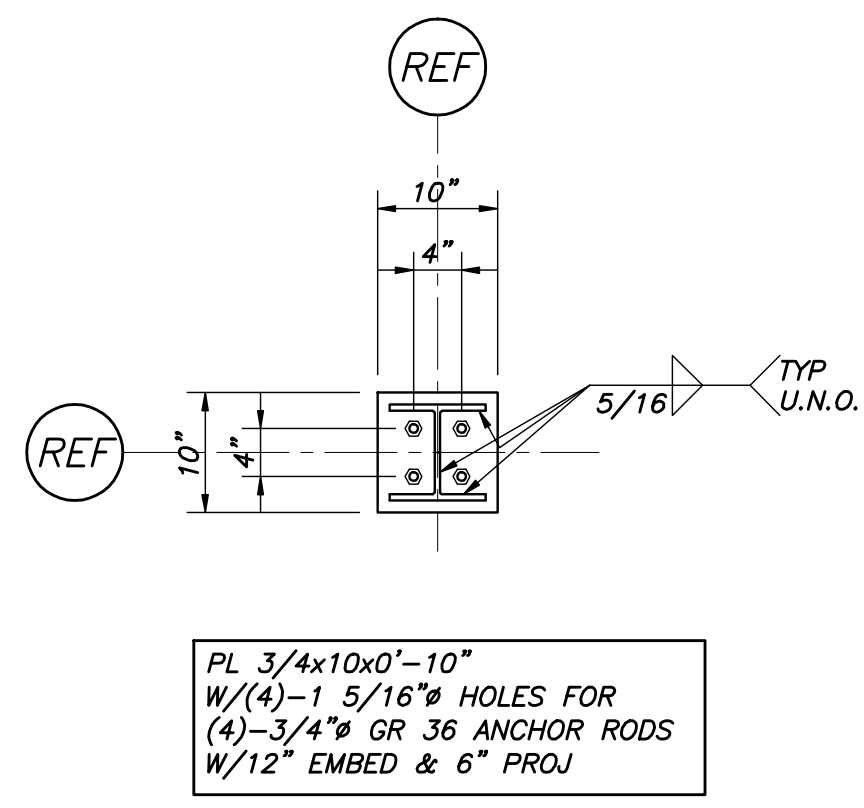
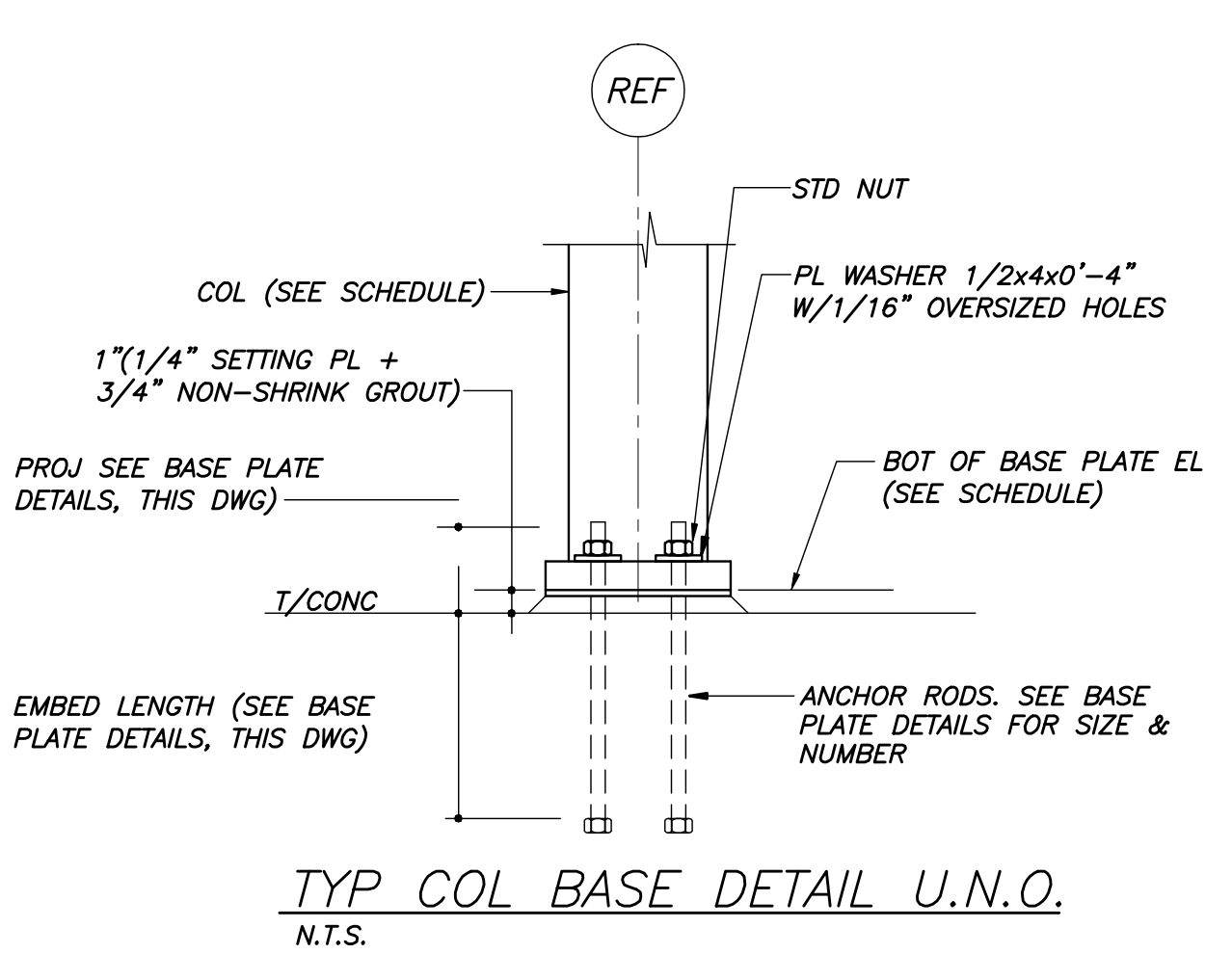


STEEL COLUMN SCHEDULE

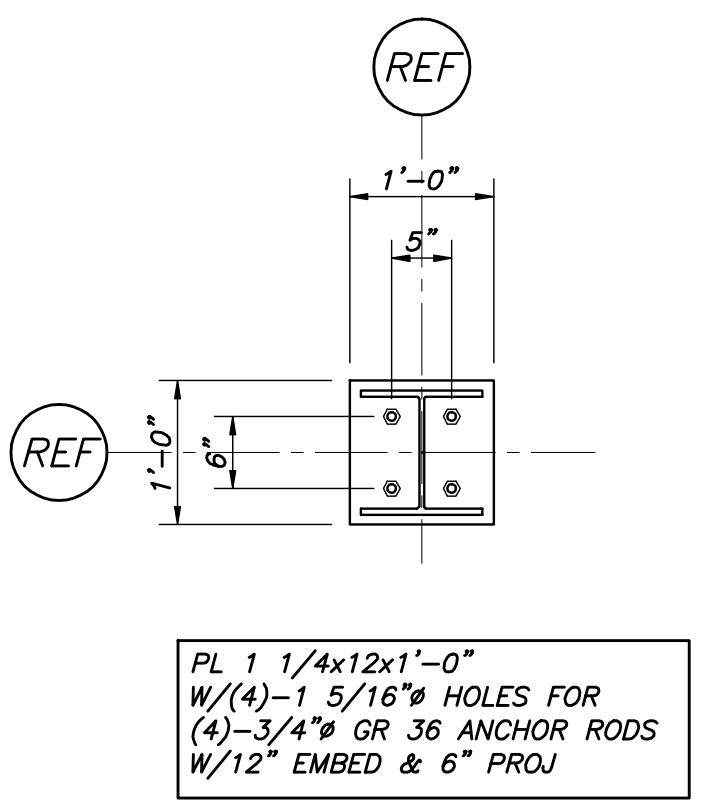
COLUMN MARK	G-4	G-3	G-2	G-1	F-4	F-3	F-2	F-1	E-4	E-3	E-2	E-1	D-4	D-3	D-2.4	D-1	C.7-1.9	C.7-1.3	C-4	C-3	C-2.4	C-1	B-4	B-3	B-2.4	B-1.9	B-1.3	B-1	A-4	A-3.6	A-3	A-2	A-1	
ROOF																																		
MEZZANINE																																		
THIRD FLR																																		
SECOND FLR																																		
FIRST FLR																																		
LOWER LEVEL																																		
BOT OF STEEL COLUMN BASE PL ELEVATION U.N.O.	89'-5"	97'-1 1/2"	97'-1 1/2"	89'-5"	97'-7"	83'-7"	83'-7"	97'-1 1/2"		83'-1 1/2"	83'-7"	97'-1 1/2"	97'-7"	83'-7"	83'-7"	97'-7"	83'-7"	83'-7"		83'-7"	83'-7"	83'-7"	97'-1 1/2"	83'-7"	83'-7"	83'-7"	89'-5"	89'-5"	97'-8 1/2"	97'-8 1/2"	89'-5"	89'-5"		
BASE PL TYPE	BP-B	BP-B	BP-B	BP-B	BP-B	BP-C	BP-C	BP-B	BP-B	BP-C	BP-C	BP-B	BP-B	BP-C	BP-B	BP-B	BP-A	BP-A	BP-B	BP-C	BP-B	BP-B	BP-B	BP-C	BP-B	BP-A	BP-A	BP-B	BP-B	BP-B	BP-B	BP-B	BP-B	

NOTES:
 1. S.L. INDICATES SHEAR LUG.
 2. SEE PLANS FOR ADDL COLUMNS.

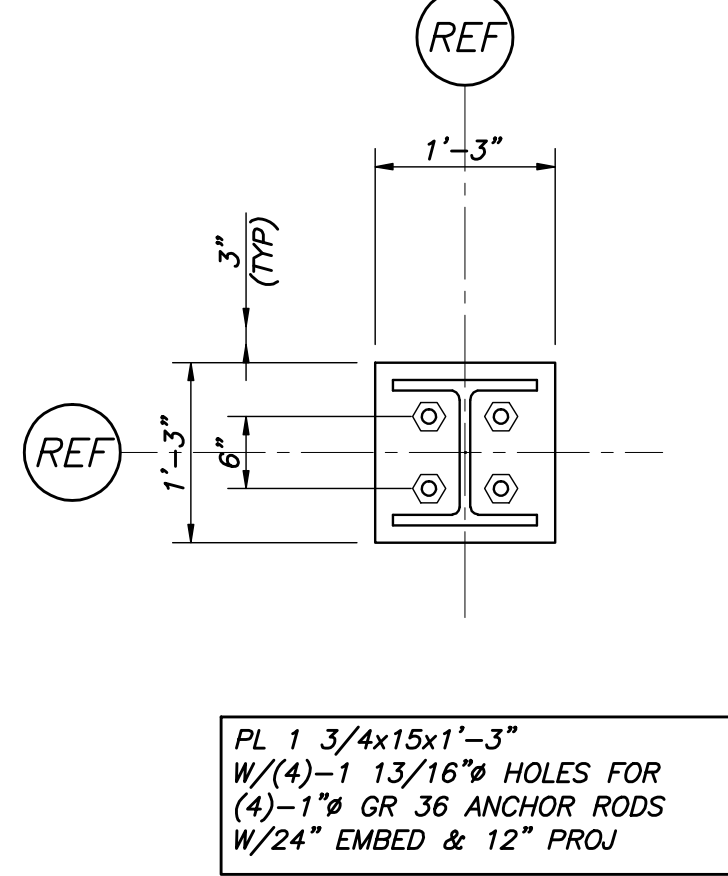
SEE TYP COL SPLICE DETAILS THIS DWG



BP-A
 W8x31
 W8x48

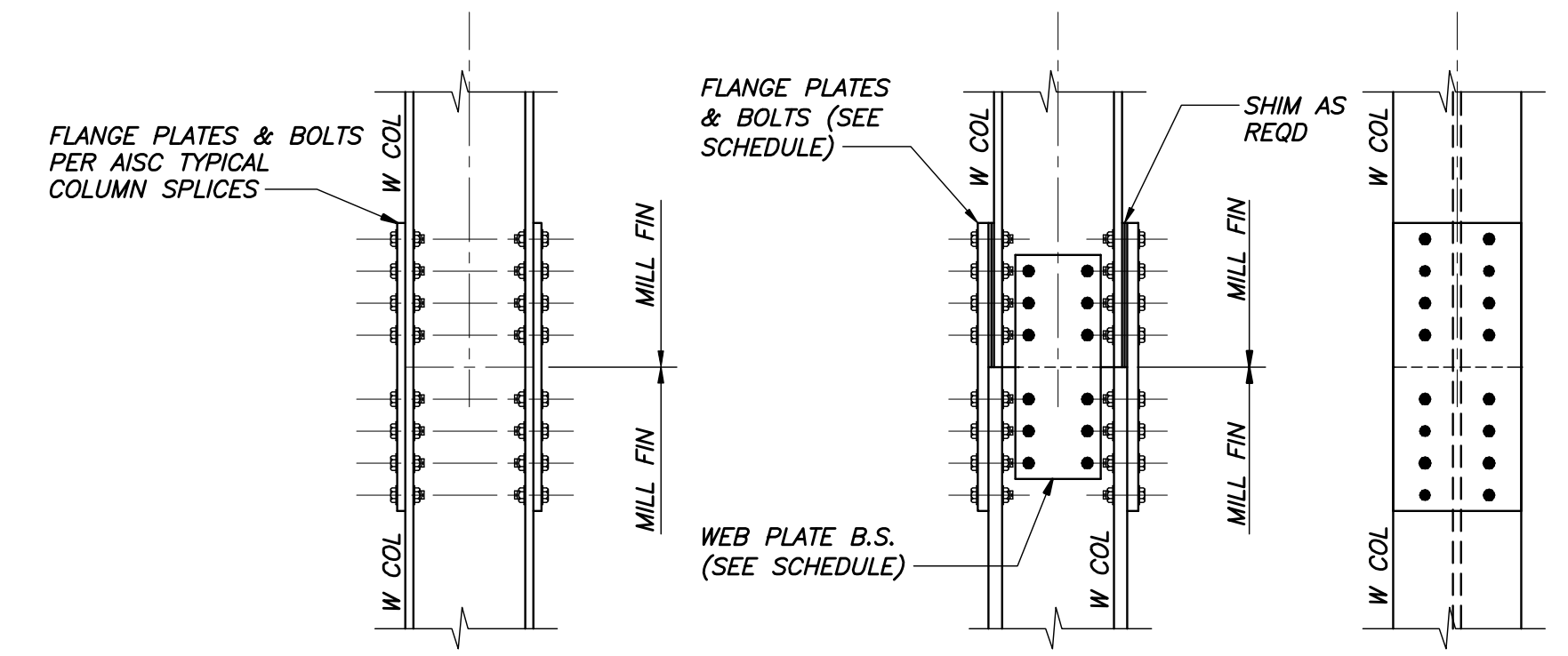


BP-B
 W10x60
 W10x79

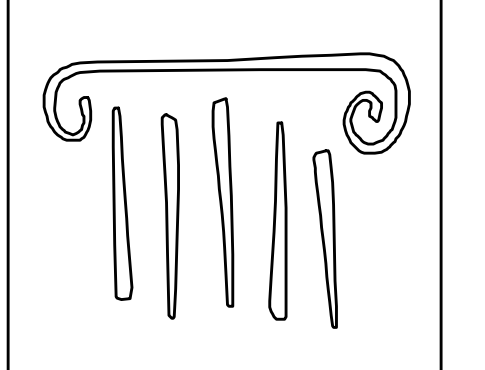


BP-C
 W12x65

TYP BASE PLATE DETAILS
 N.T.S.

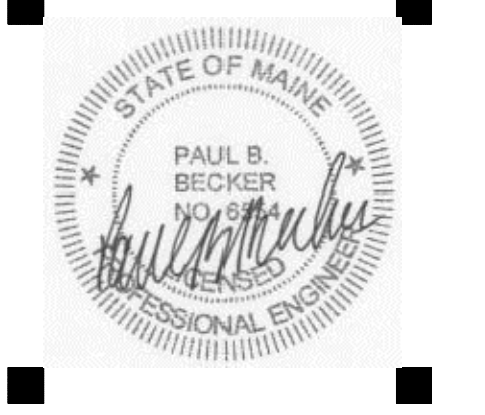


TYP COL SPLICE DETAILS
 N.T.S.



PORT CITY ARCHITECTURE

65 NEWBURY STREET
 PORTLAND, ME 04101
 207.761.9000
 fax: 207.761.2010
 lita@portcityarch.com



JACOBS CONSULTANCY
 GPR Laboratory Planning Practice

VANZELM ENGINEERS
 VANZELM TREYWOOD & BRADFORD, INC.

BECKER
 structural engineers, inc.

SYTDesign CONSULTANTS
 CIVIL ENGINEERING & LANDSCAPE ARCHITECTURE

ALLIED/COOK CONSTRUCTION

Favreau ELECTRIC

Titan Mechanical, Inc.
 Design-Build Engineering - Mechanical Consulting

UNIVERSITY OF NEW ENGLAND

COLLEGE OF PHARMACY

716 STEVENS AVENUE, PORTLAND, ME

#	DATE	DESCRIPTION
		PERMIT SET
	01/24/08	Date Issued
	06506	Project Number

SHEET NAME
COLUMN SCHEDULE

Drawn By
 APP

Checked By
 DSB

S1.7

PERMIT SET - NOT FOR CONSTRUCTION