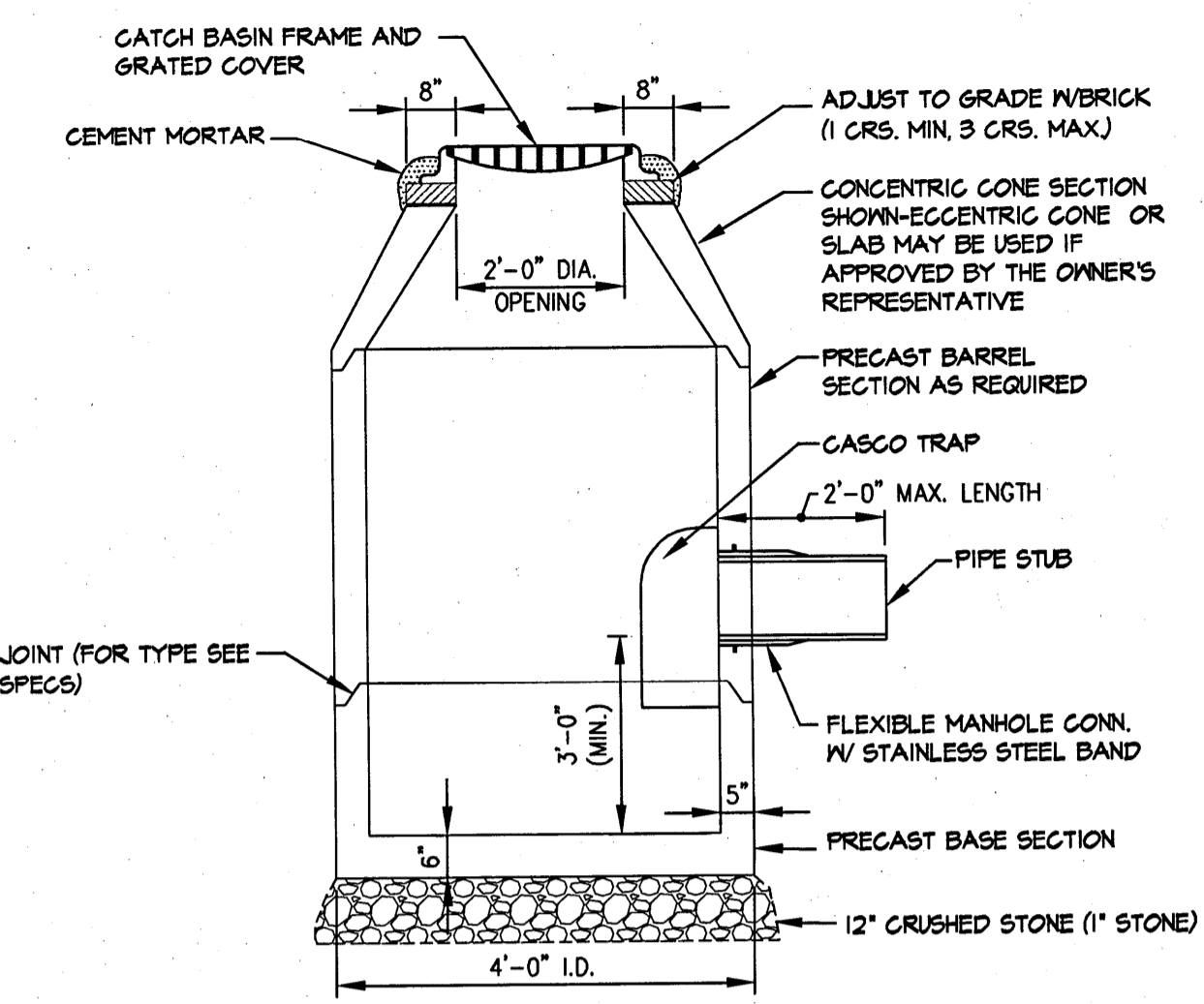


**1 TYPICAL PIPE TRENCH SECTION**  
SCALE: N.T.S.

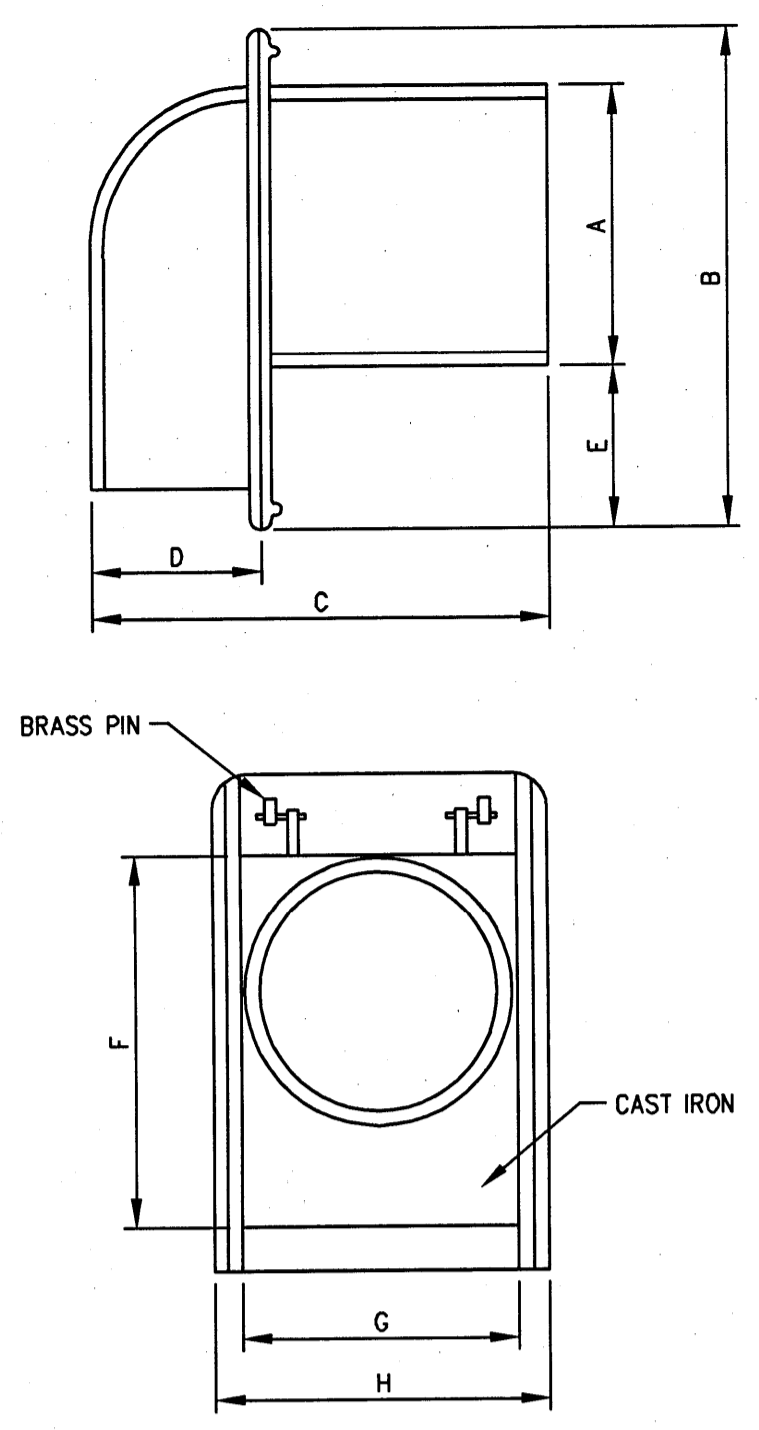
TRENCH BACKFILL SCHEDULE

PIPE MATERIAL	PIPE BEDDING	INITIAL BACKFILL	BACKFILL
HDPE	3/4\"/>		

\*\*\* EXCAVATED MATERIAL MUST BE REVIEWED AND APPROVED BY THE OWNER'S REPRESENTATIVE PRIOR TO INSTALLATION.  
GRANULAR MATERIAL TO BE SAND OR GRAVEL.

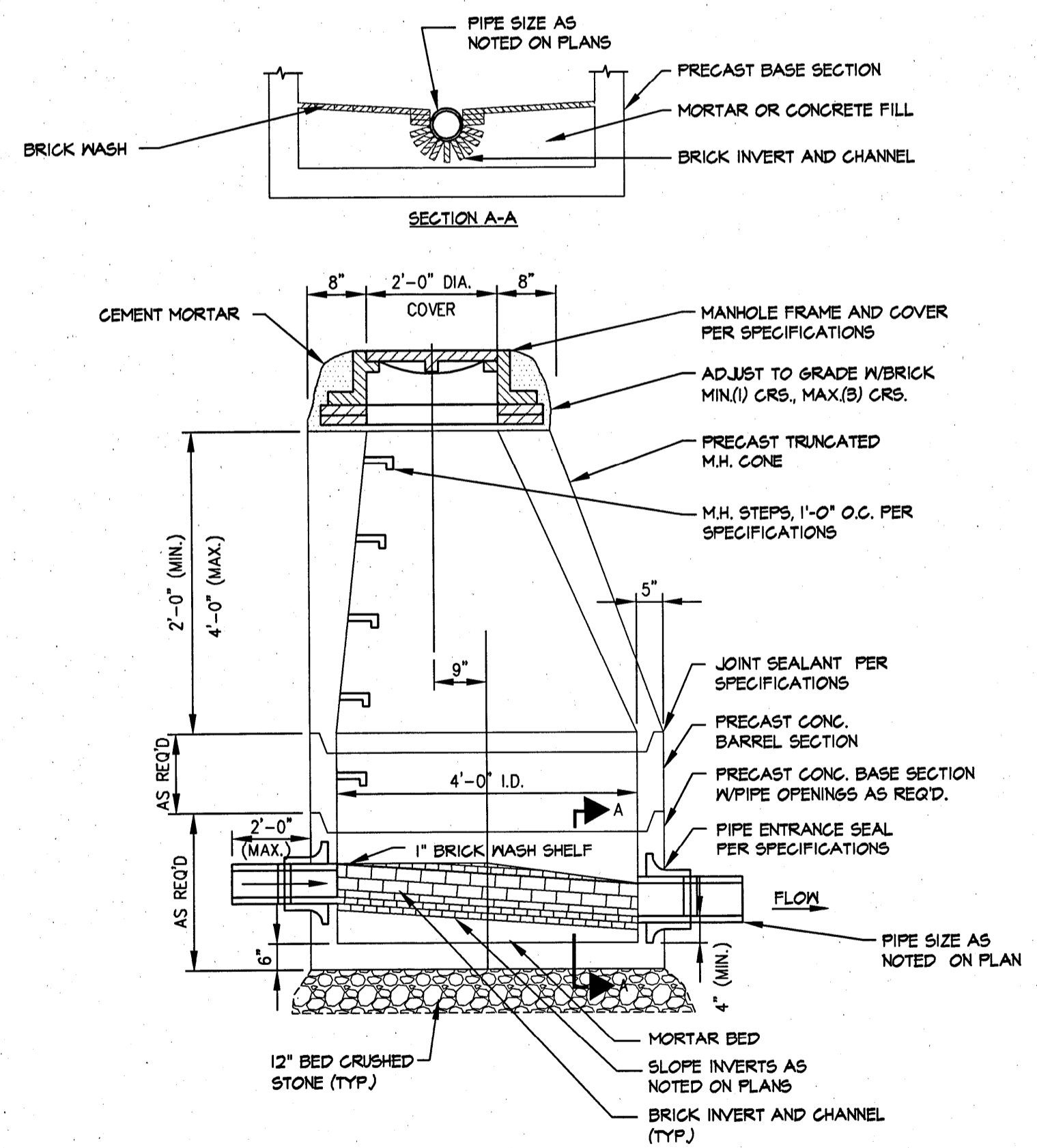


**2 CATCH BASIN**  
SCALE: N.T.S.



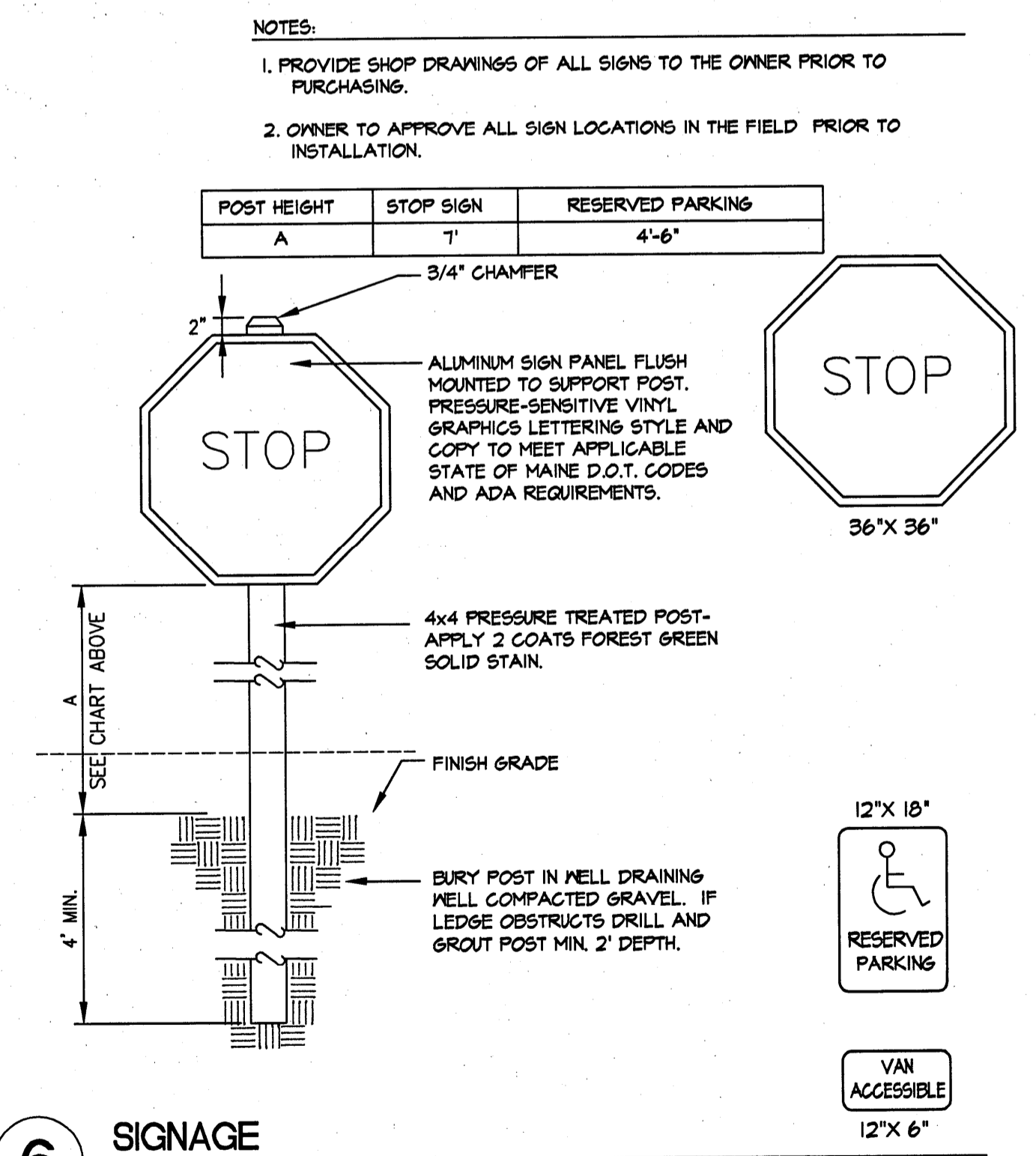
**3 CASCO TRAP**  
SCALE: N.T.S.

SIZE	A	B	C	D	E	F	G	H
12"	11-1/2	20	18	B	6-1/2	18	12-1/2	13-3/8



**4 24\"/>**

**5 TYPICAL SANITARY MANHOLE**  
SCALE: N.T.S.

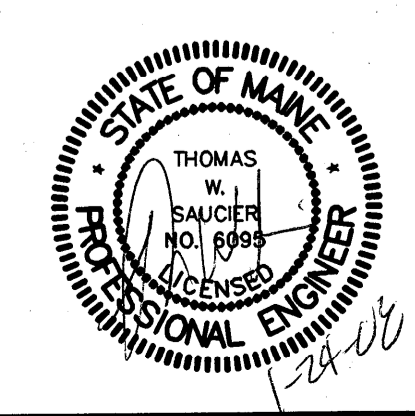


**6 SIGNAGE**  
SCALE: N.T.S.

NOT FOR CONSTRUCTION

THIS PLAN SHALL NOT BE MODIFIED WITHOUT WRITTEN PERMISSION FROM SYTDesign Consultants, ANY ALTERATIONS, OTHERWISE, SHALL BE AT THE USER'S SOLE RISK AND WITHOUT LIABILITY TO SYTDesign Consultants.

REV.	DATE	STATUS	BY	CHKD.	APPD.	REV.	DATE	STATUS	BY	CHKD.	APPD.
G	12/20/07	SUBMITTED TO THE CITY OF PORTLAND FOR SITE PLAN REVIEW	PBB	PBB	TWS						
F	12/06/07	ISSUED FOR DESIGN DEVELOPMENT	WTE	PBB	TWS						
E	11/27/07	ISSUED TO ARCHITECT FOR CHECK SET	PBB	PBB	TWS						
C	10/19/07	ISSUED FOR SCHEMATIC DESIGN	PBB	PBB	TWS						
B	10/12/07	REVISED AND SUBMITTED TO THE CITY OF PORTLAND FOR SITE PLAN REVIEW	DEPT	PBB	TWS	I	1/24/08	PERMIT SET	PBB	PBB	TWS
A	09/04/07	SUBMITTED FOR SITE PLAN REVIEW	DAM	PBB	TWS	H	1/15/08	REVISED PER CITY OF PORTLAND PEER REVIEW COMMENTS	PBB	PBB	TWS
REV.	DATE	STATUS	BY	CHKD.	APPD.	REV.	DATE	STATUS	BY	CHKD.	APPD.



**SYTDesign CONSULTANTS**  
CIVIL ENGINEERING & LANDSCAPE ARCHITECTURE

PO. Box 96A  
100 Longwoods Road  
Cumberland, Maine 04021  
tel. 207.829.6994 fax. 207.829.2231

CLIENT: UNIVERSITY OF NEW ENGLAND  
11 HILLS BEACH ROAD, BIDDEFORD, MAINE 04005

COLLEGE OF PHARMACY		SITE DETAILS	
DESIGN: JAV	DRAWN: JAV	DATE: OCTOBER 2007	PROJ. NO. 06-21608
CHKD: ADJ	SCALE: N.T.S.	DWG. NO.	REV. C-302