

IF THIS SHEET IS NOT 24 X 36 IT IS A REDUCED SCALE PRINT - SCALE ACCORDINGLY

3
2
1
0
SCALE
1"=1'

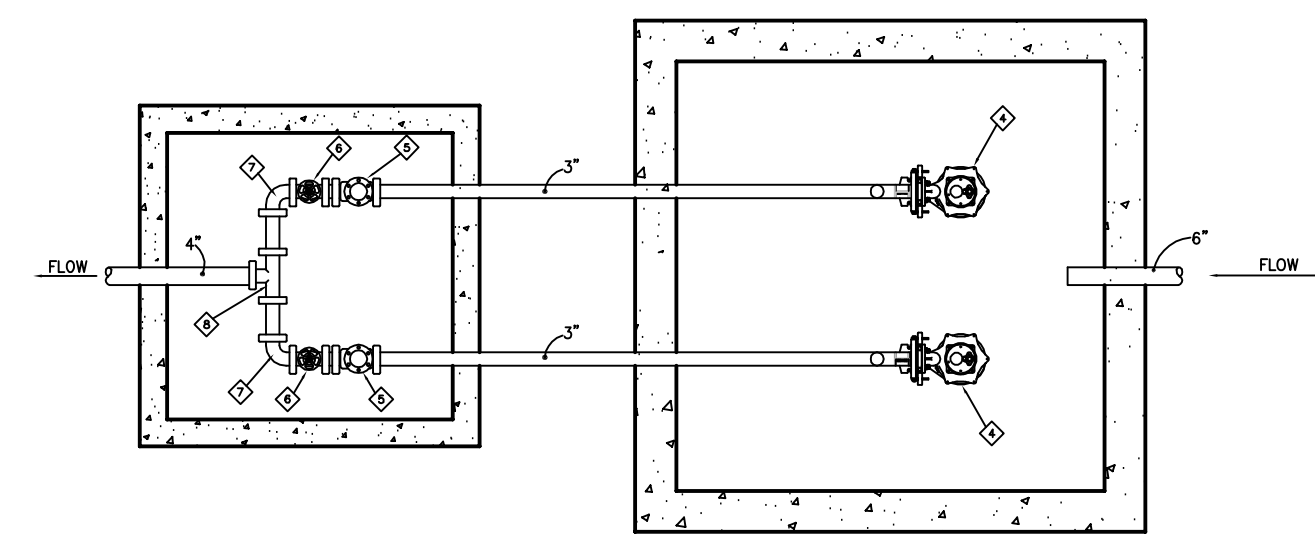
4
3
2
1
0
SCALE
3/4"=1'

6
5
4
3
2
1
0
SCALE
1/2"=1'

12
8
4
0
SCALE
1/4"=1'

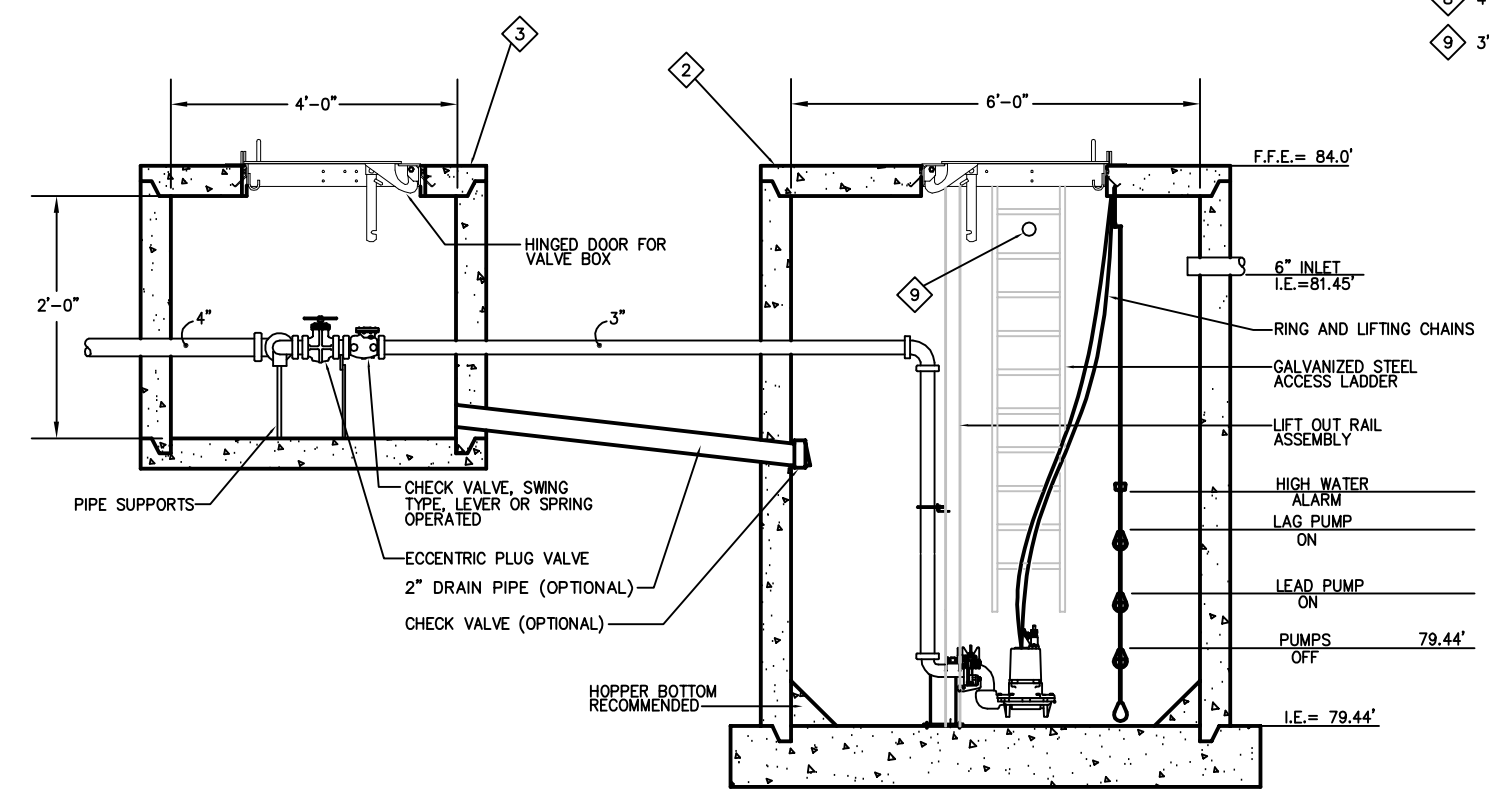
20
10
0
SCALE
1/8"=1'

40
20
10
0
SCALE
1/16"=1'

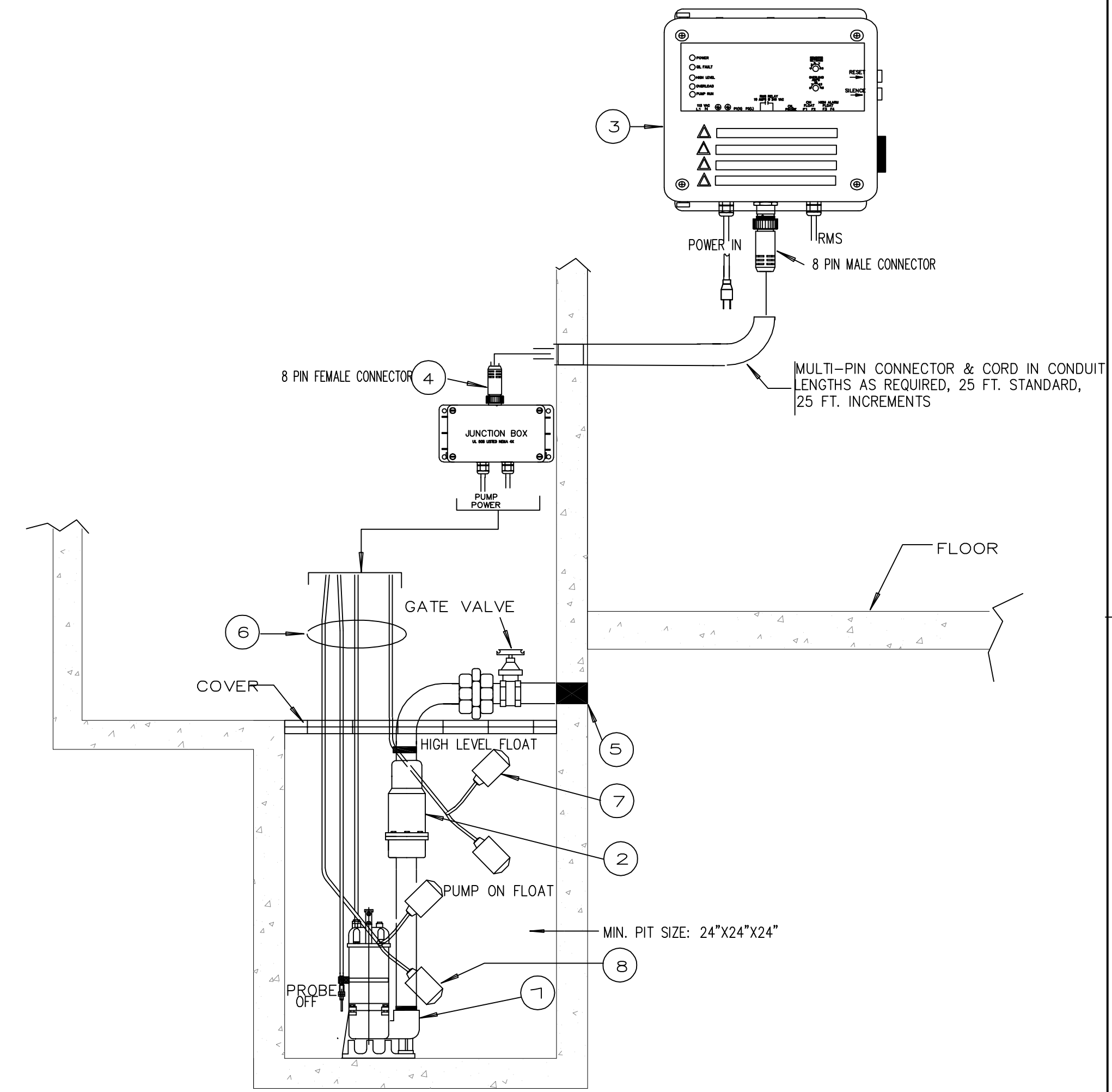


3
P4.01
PLAN VIEW OF DUPLEX SUMP PUMP AND VALVE BOX
NO SCALE

- SUMP PUMP AND VALVE BOX KEY NOTES:**
- ◇ SCHEDULE 40 PVC PRESSURE PIPE ASTM D 1784 AND ASTM D 1785.
 - ◇ CAST IRON WELL, 66x45.6 FOOT SQUARE TANK WITH A 32"x48" FLAT, HINGED STEEL HATCH.
 - ◇ CAST IRON/STAINLESS VALVE PIT WITH 48"x48" FLAT, HINGED STEEL HATCH.
 - ◇ PUMP, SEE SPECIFICATIONS.
 - ◇ CHECK VALVE SWING TYPE (TYPICAL).
 - ◇ GATE VALVE (TYPICAL).
 - ◇ PVC 3"x4" INCREASER (TYPICAL).
 - ◇ 4"x4"x4" TEE.
 - ◇ 3" VENT

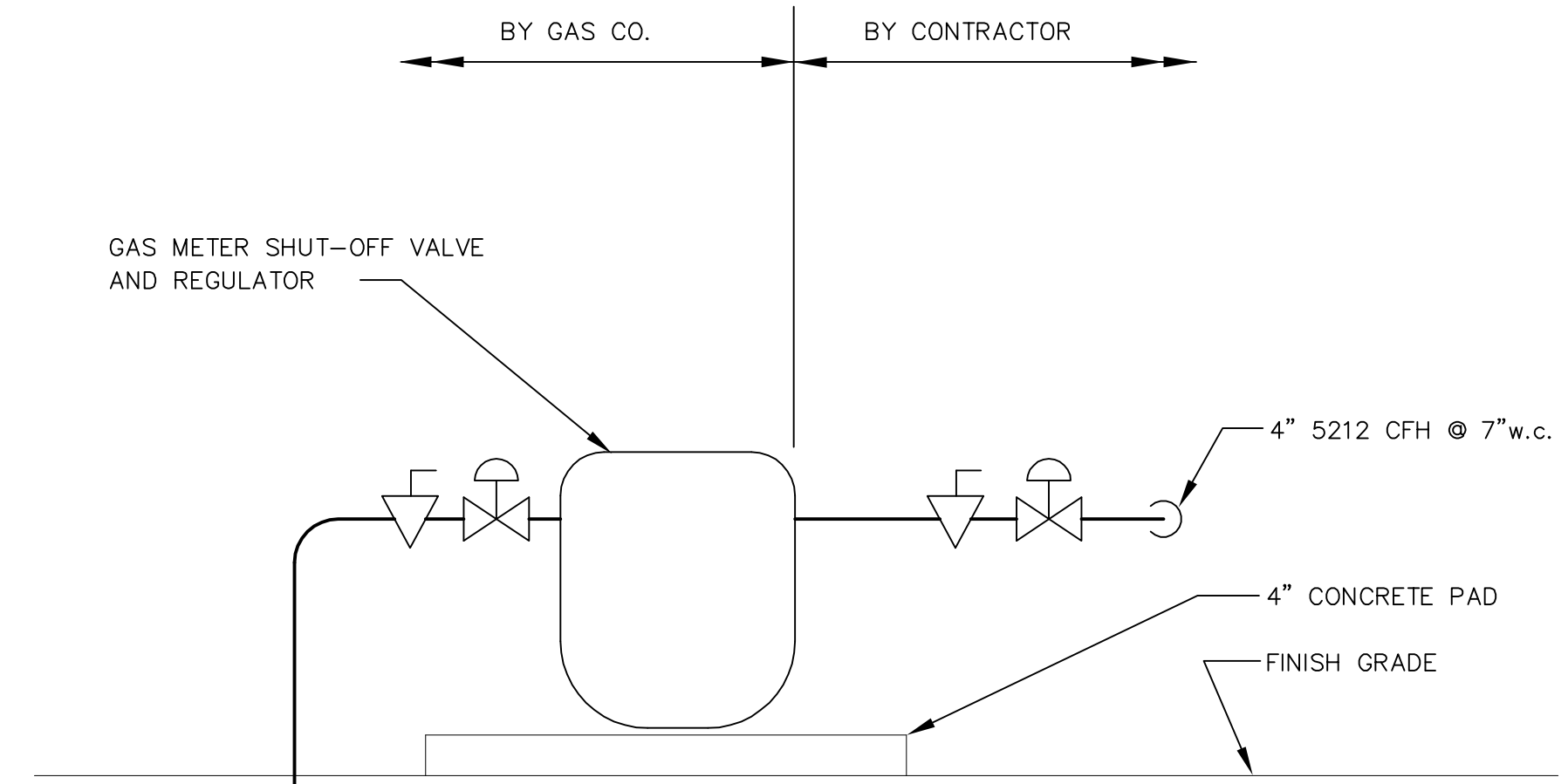


4
P4.01
ELEVATION VIEW OF DUPLEX SUMP PUMP AND VALVE BOX
NO SCALE

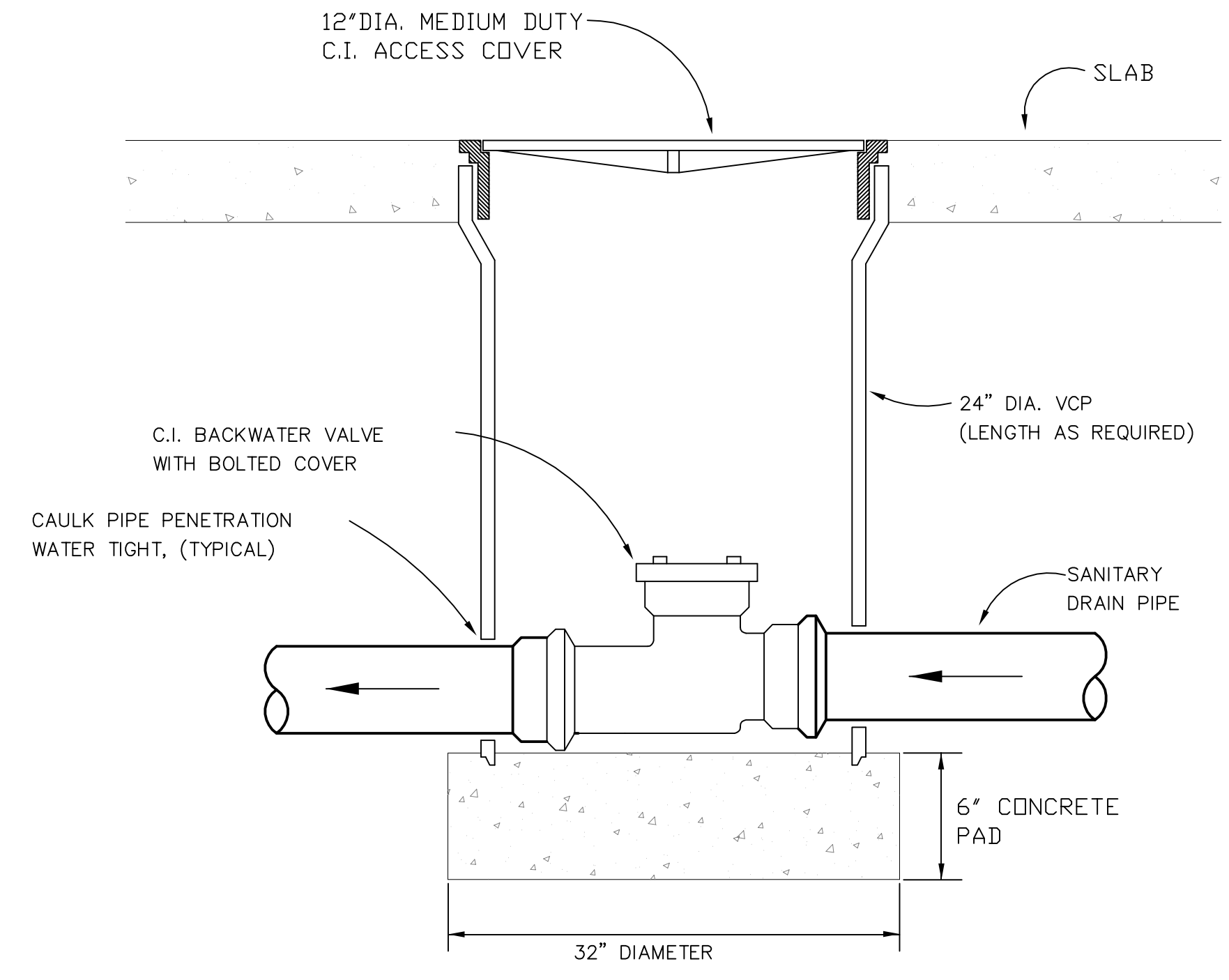


1. 1/2HP SUBMERSIBLE EFFLUENT PUMP, 115 VOLT 3600 RPM, 2" DISCHARGE CONNECTION
2. CHECK VALVE
3. 115V, 1Ø CONTROL SYSTEM WITH OPTIONAL BUILT IN AUDIBLE AND VISUAL ALARM WHEN PUMP DOES NOT RUN DUE TO OIL IN PIT OR HIGH LIQUID ALARM. PROVIDE SILENCING BUTTON FOR AUDIBLE ALARM BUILT INTO PANEL. PANEL SHALL HAVE ADDITIONAL CONTACT FOR A REMOTE ALARM LOCATION. JUNCTION BOX WILL BE PROVIDED WITH MULTI-PIN CONNECTOR & CORD IN LENGTHS AS REQUIRED, 25 FT. IS STANDARD, OPTIONAL 25 FT. INCREMENTS. LIGHTS FOR OIL SPILL, POWER, HIGH LIQUID LEVEL, OVERLOAD & PUMP RUN
4. JUNCTION BOX WILL BE PROVIDED WITH MULTI-PIN CONNECTOR AND CORD IN LENGTHS AS REQUIRED; 25 FT. IS STANDARD, OPTIONAL 25 FT. INCREMENTS AVAILABLE
5. ALL BURIED PUMP PRESSURE DISCHARGE PIPING SHALL BE PROTECTED WITH TAPECOAT CT CORROSION PROTECTION TAPE
6. CABLE, POWER CABLE, PROBE CABLE, HIGH LIQUID ALARM CABLE & PUMP ON FLOAT CABLE.
7. HIGH LIQUID ALARM FLOAT WITH CLAMP DEVICE TO MOUNT TO PUMP DISCHARGE PIPING
8. PUMP ON FLOAT

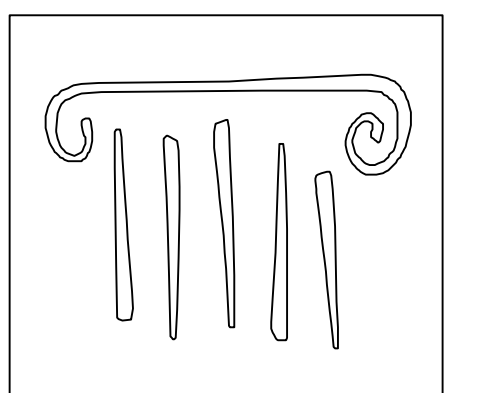
ELEVATOR SUMP PUMP DETAIL
NOT TO SCALE



GAS SERVICE ENTRANCE DETAIL
NOT TO SCALE

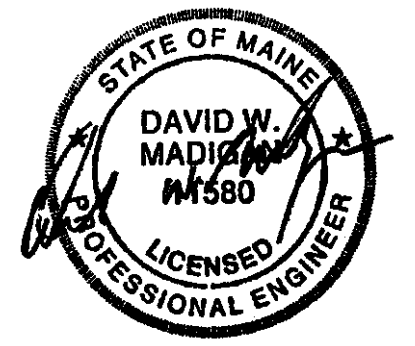


BACKWATER VALVE DETAIL
NOT TO SCALE



PORT CITY ARCHITECTURE

65 NEWBURY STREET
PORTLAND, ME 04101
207.761.9000
fax: 207.761.2010
lita@portcityarch.com



VANZELM ENGINEERS

VANZELM HEYWOOD & SHADFORD, INC.
10 TALCOTT NOYCE FARMINGTON, CT 06032
TEL: (860) 284-5064 FAX: (860) 284-5066
PROJECT NO.: 2007120.00

BECKER
structural engineers, inc.

SYTDesign
CONSULTANTS
CIVIL ENGINEERING & LANDSCAPE ARCHITECTURE



| # | DATE | DESCRIPTION |
|---|----------|----------------|
| | | PERMIT SET |
| | 01/24/08 | Date Issued |
| | 06506 | Project Number |

SHEET NAME
PLUMBING DETAILS

Drawn By
SMS
Checked By
FBJ/DWM

P4.0

PERMIT SET - NOT FOR CONSTRUCTION