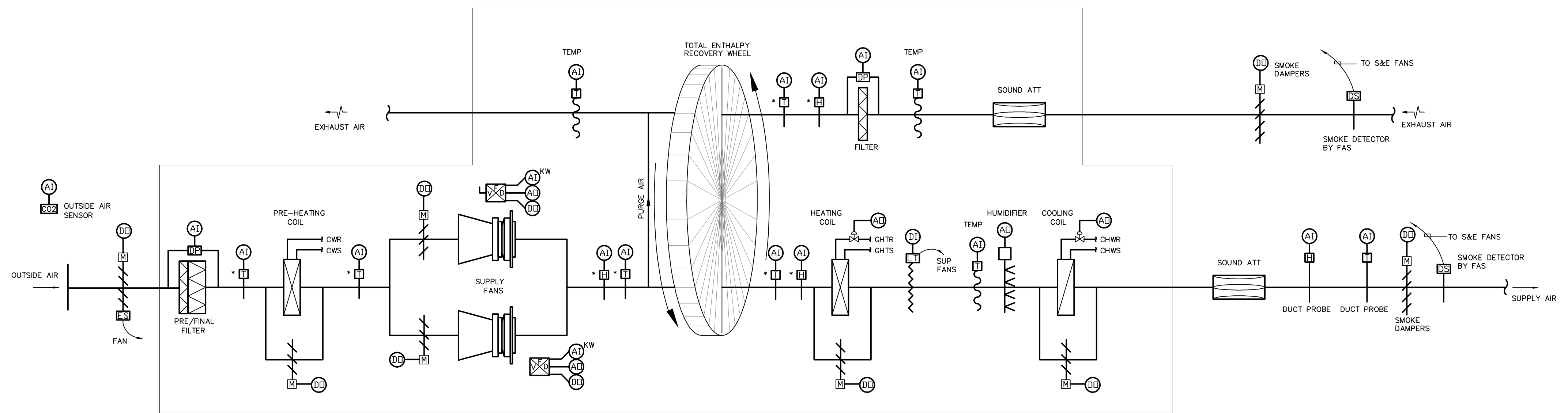
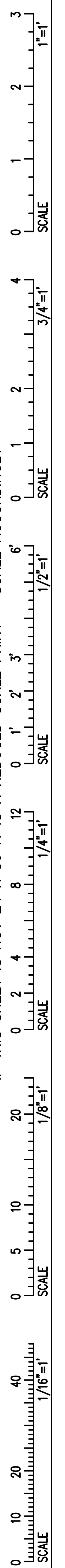
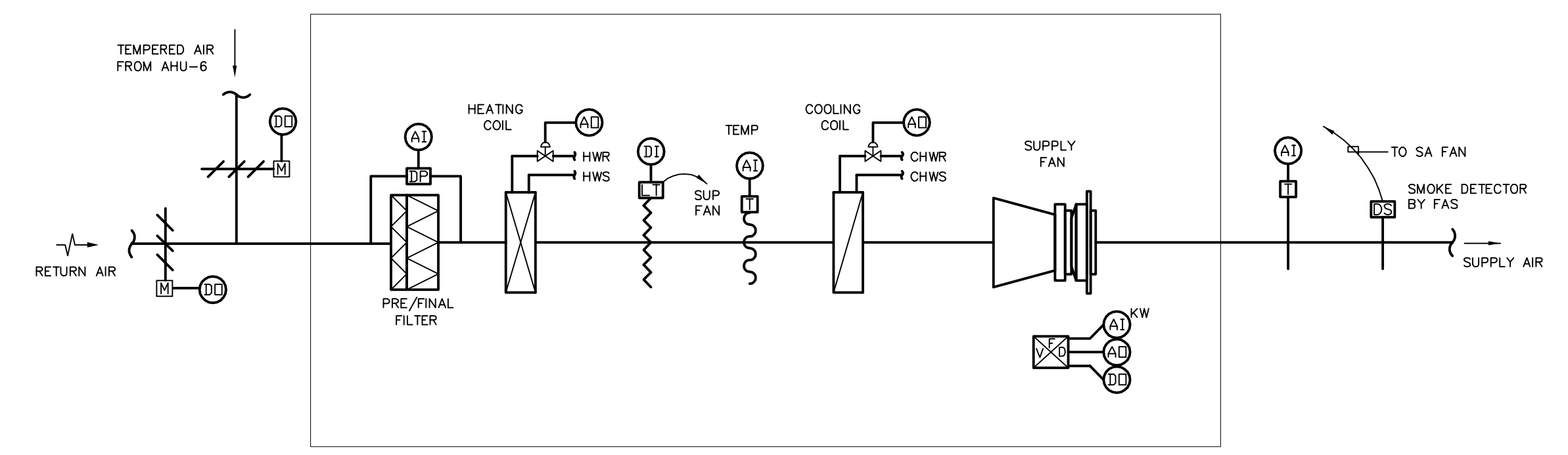


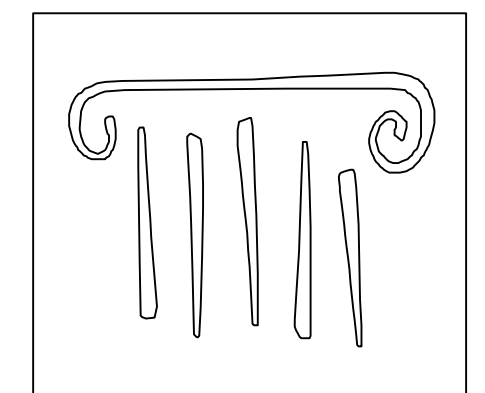
IF THIS SHEET IS NOT 24 X 36 IT IS A REDUCED SCALE PRINT - SCALE ACCORDINGLY



**TYPICAL HEAT RECOVERY AIR HANDLING UNIT
CONTROL DIAGRAM (AHU-1, 2, & 3)**
NOT TO SCALE
*MATCHED SENSORS FOR BTU MEASUREMENTS (PROVIDED BY AIRCUIVY SYSTEM)

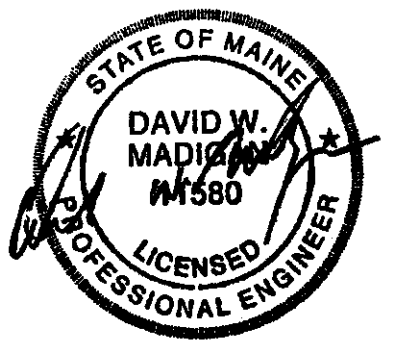


AIR HANDLING UNIT CONTROL DIAGRAM (THMP AHU)
NOT TO SCALE



**PORT CITY
ARCHITECTURE**

65 NEWBURY STREET
PORTLAND, ME 04101
207.761.9000
fax: 207.761.2010
lita@portcityarch.com



**VANZELM
ENGINEERS**

VANZELM HEYWOOD & SHADFORD, INC.
16 TALCOTT NOTCH FARMINGTON, CT 06032
TEL: (860) 286-3964 FAX: (860) 286-3968
PROJECT NO.: 2007120.00

BECKER
structural engineers, inc.

**SYTDesign
CONSULTANTS**
CIVIL ENGINEERING & LANDSCAPE ARCHITECTURE



#	DATE	DESCRIPTION
		PERMIT SET
		Date Issued 01/24/08
		Project Number 06506

SHEET NAME
**MECHANICAL
SYSTEMS CONTROL
DIAGRAMS**

Drawn By
AMM
Checked By
DWM/FBH

M5.1

PERMIT SET - NOT FOR CONSTRUCTION