

IF THIS SHEET IS NOT 24 X 36 IT IS A REDUCED SCALE PRINT - SCALE ACCORDINGLY

SCALE 1"=1'

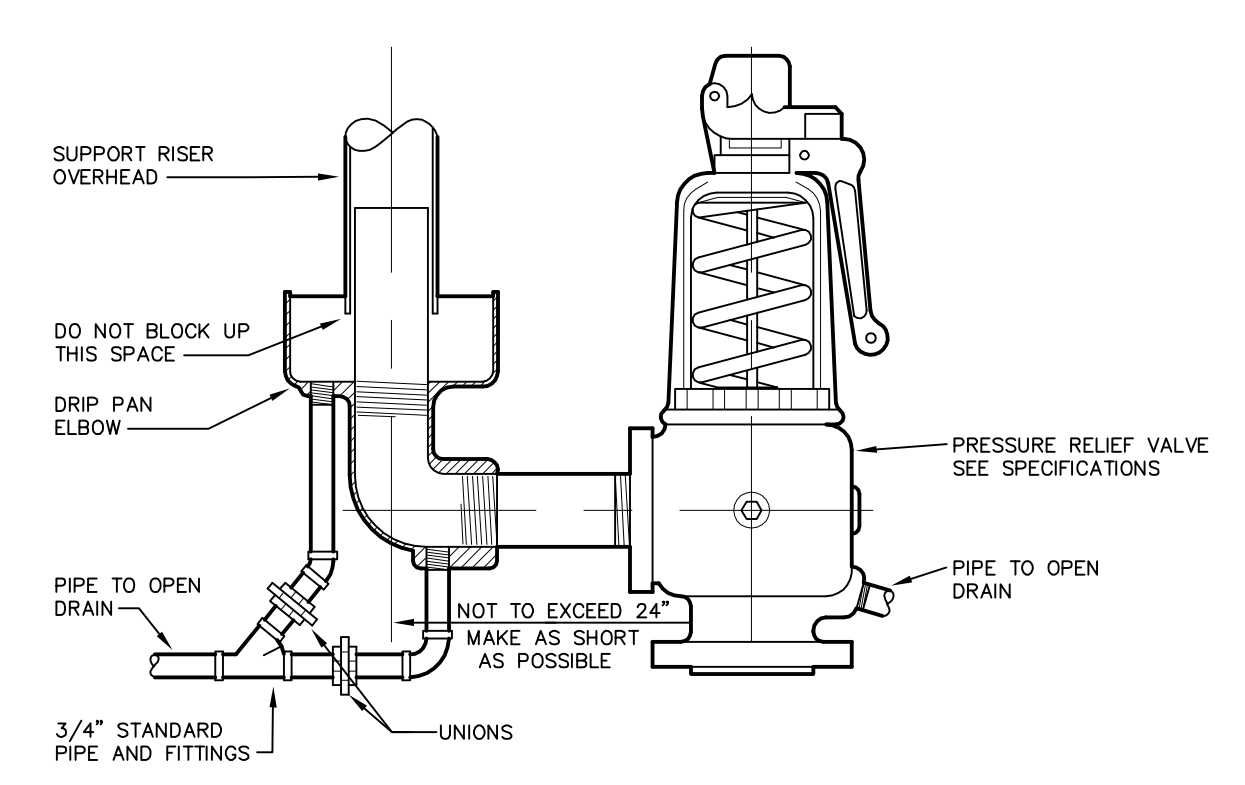
SCALE 3/4"=1'

SCALE 1/2"=1'

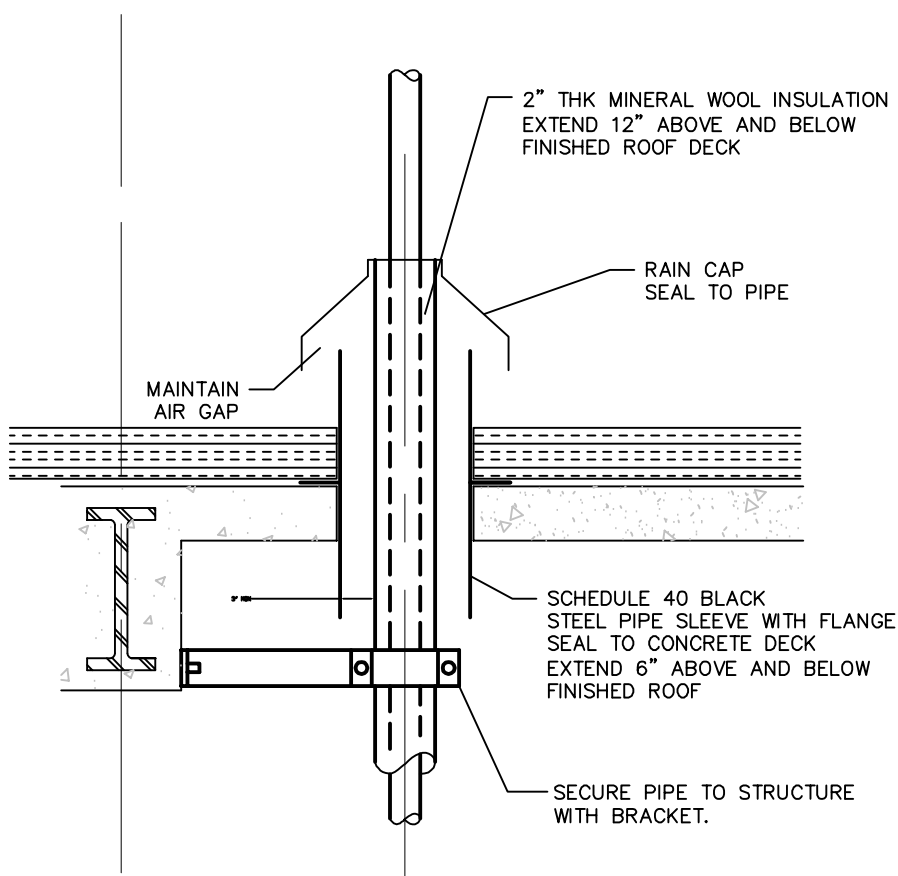
SCALE 1/4"=1'

SCALE 1/8"=1'

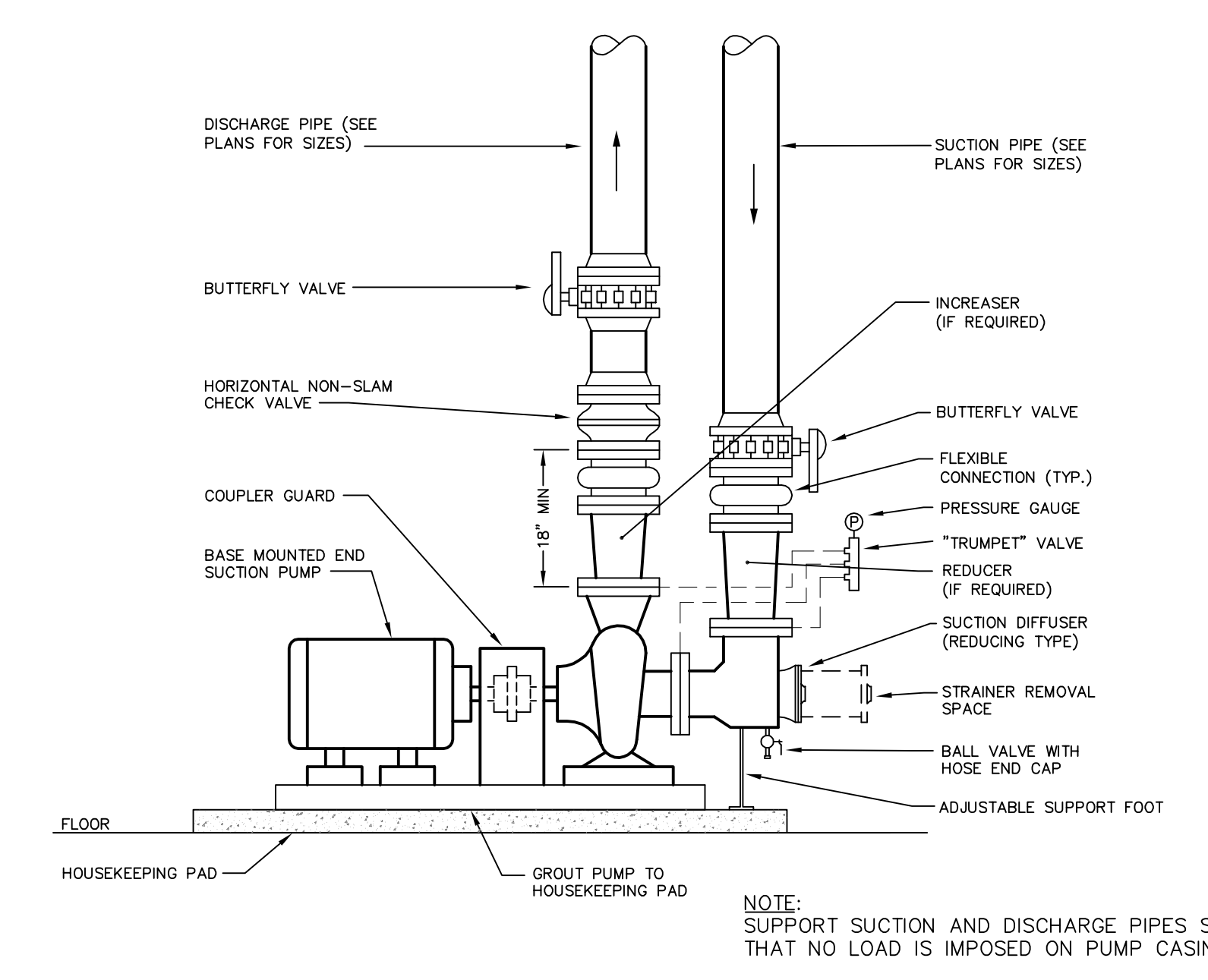
SCALE 1/16"=1'



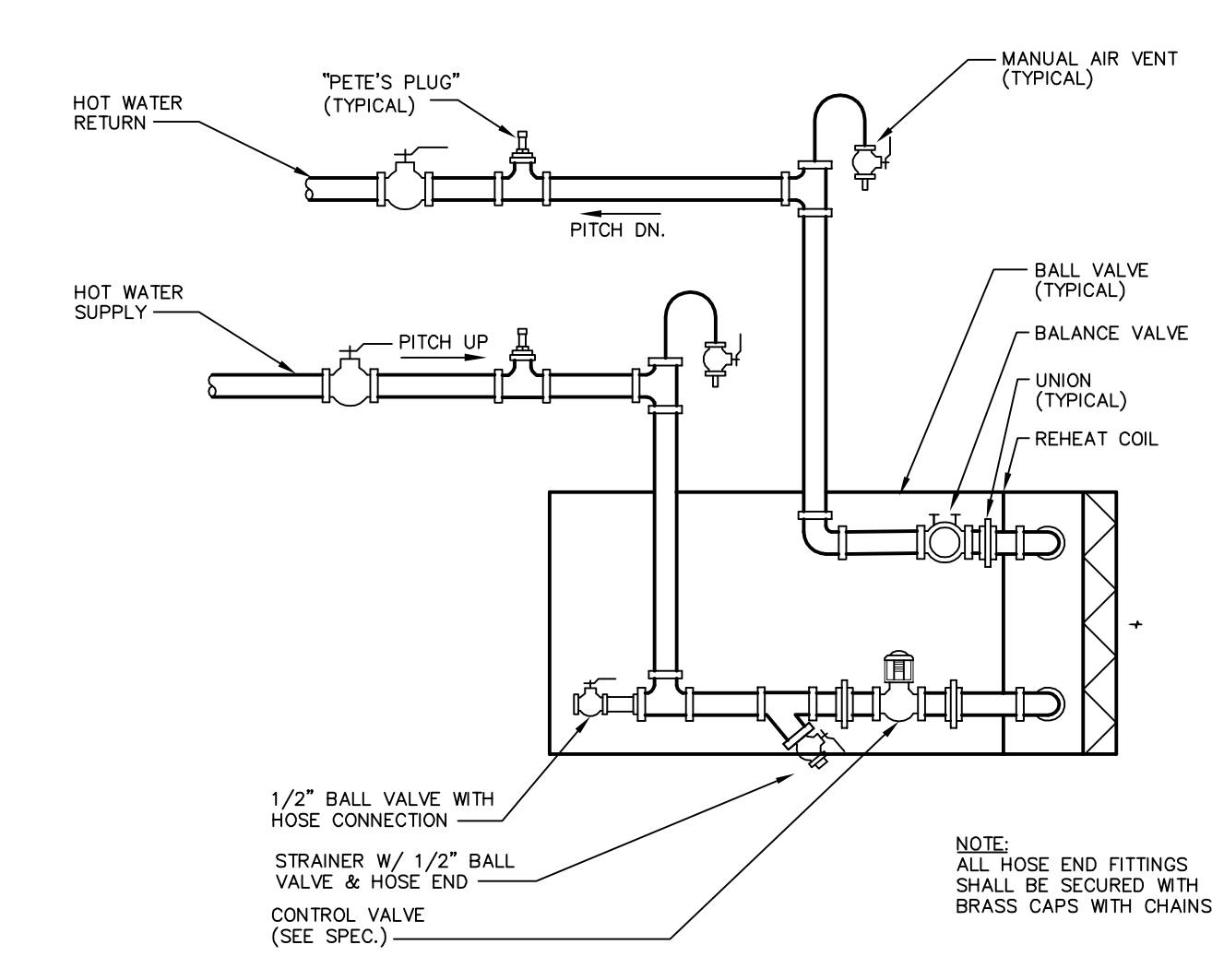
**3 PRESSURE RELIEF PIPING DIAGRAM**  
SCALE: NONE



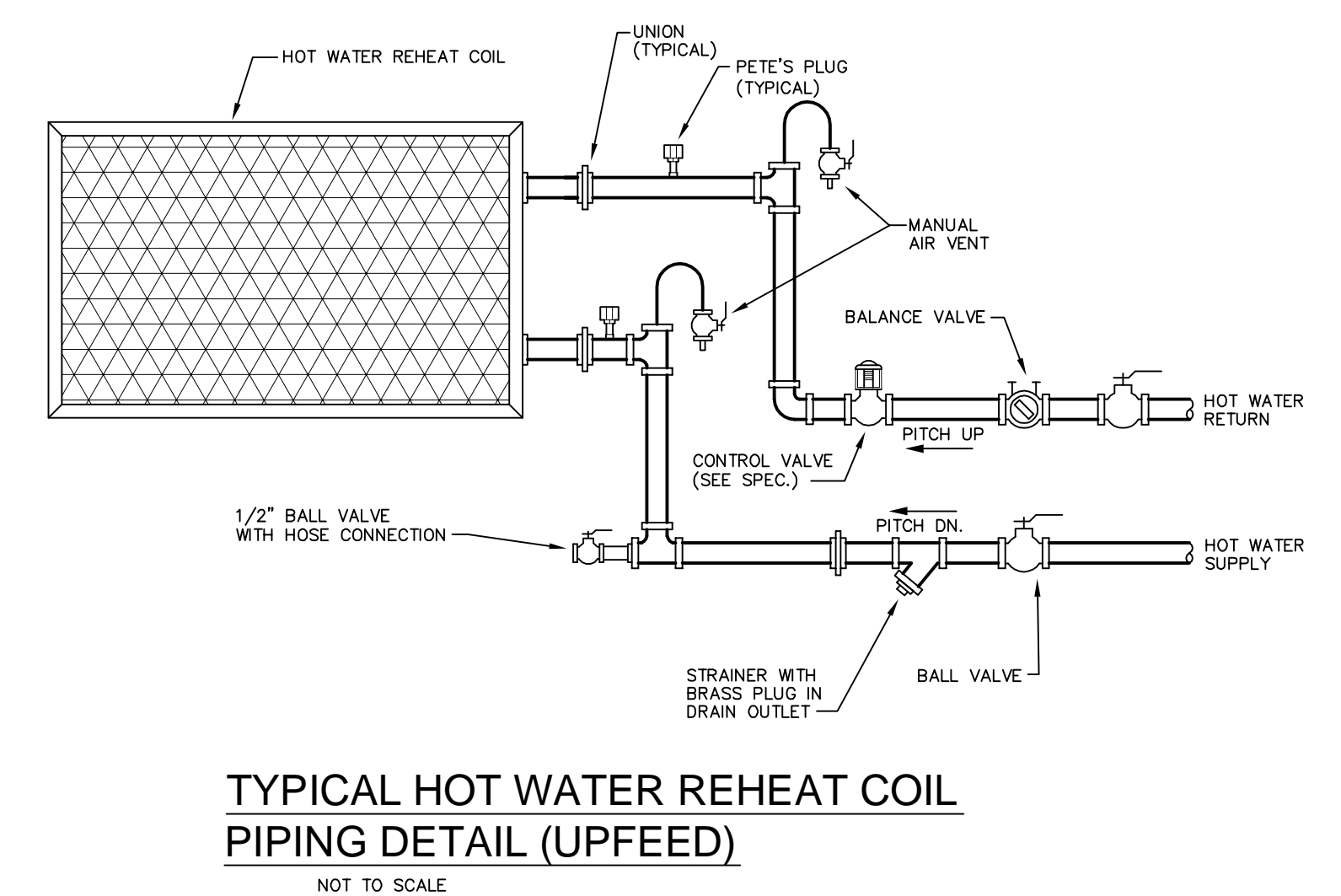
**TYPICAL HOT PIPE PENETRATION DETAIL**  
NOT TO SCALE



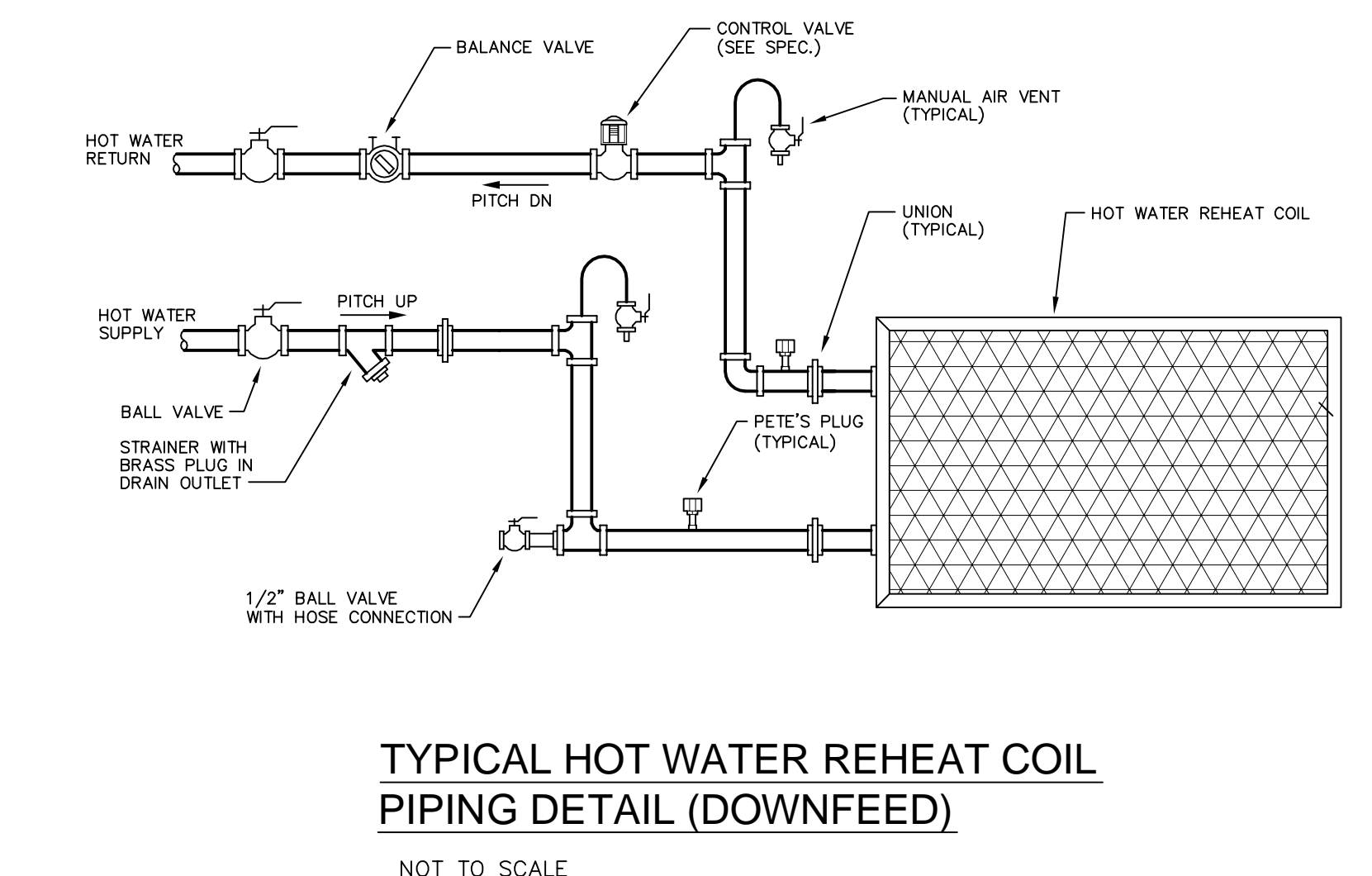
**END SUCTION PUMP PIPING DETAIL FOR HW & CHW VARIABLE SPEED, ISOLATED BASE**  
NOT TO SCALE



**TYPICAL VAV BOX WITH REHEAT**  
NOT TO SCALE

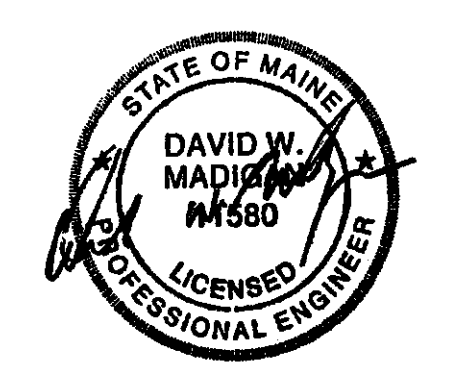


**TYPICAL HOT WATER REHEAT COIL PIPING DETAIL (UPFEED)**  
NOT TO SCALE



**TYPICAL HOT WATER REHEAT COIL PIPING DETAIL (DOWNFEED)**  
NOT TO SCALE

**PORT CITY ARCHITECTURE**  
65 NEWBURY STREET  
PORTLAND, ME 04101  
207.761.9000  
fax: 207.761.2010  
lita@portcityarch.com



**VANZELM ENGINEERS**  
VANZELM HEYWOOD & SHADFORD, INC.  
16 TALCOTT NOTCH FARMINGTON, CT 06032  
TEL: (860) 296-3964 FAX: (860) 296-3968  
PROJECT NO.: 2007120.00

**BECKER**  
structural engineers, inc.

**SYTDesign CONSULTANTS**  
CIVIL ENGINEERING & LANDSCAPE ARCHITECTURE



#	DATE	DESCRIPTION
		PERMIT SET
		Date Issued 01/24/08
		Project Number 06506

SHEET NAME  
**MECHANICAL DETAILS**

Drawn By  
AMM  
Checked By  
DWM/FBH

**M4.6**

**PERMIT SET - NOT FOR CONSTRUCTION**