

IF THIS SHEET IS NOT 24 X 36 IT IS A REDUCED SCALE PRINT - SCALE ACCORDINGLY

SCALE 1"=1'

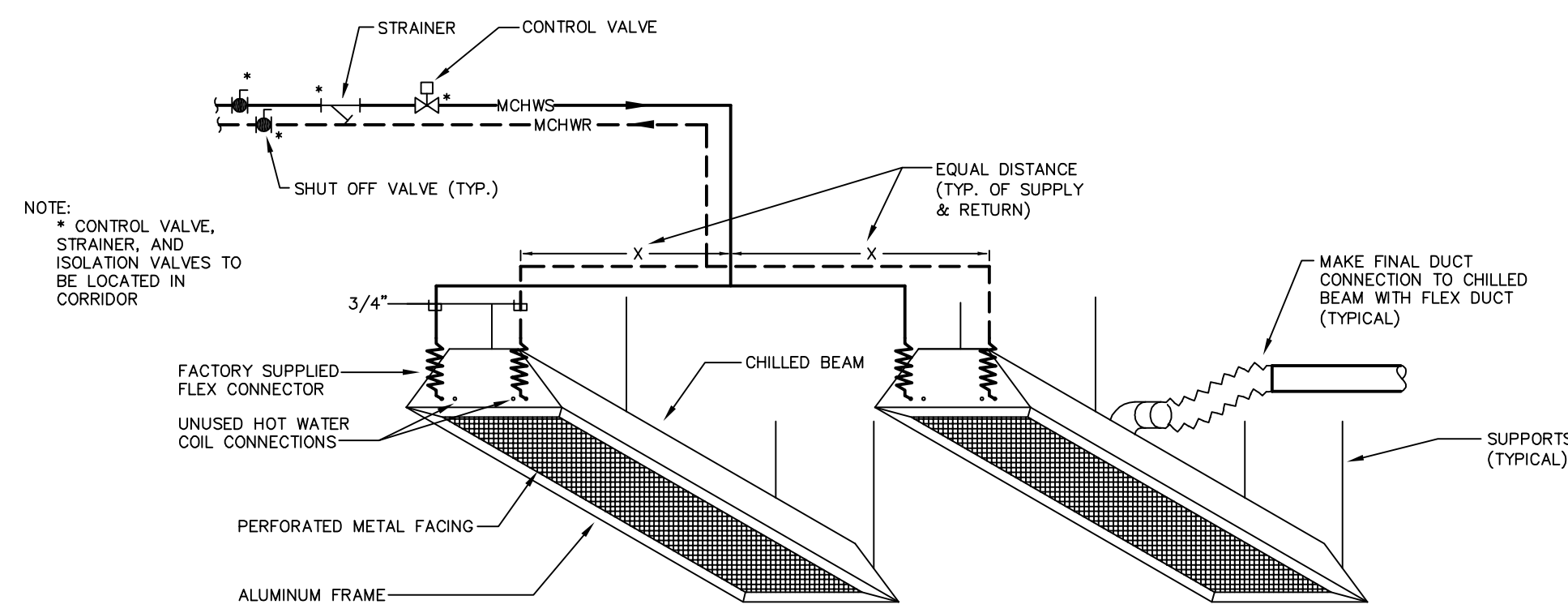
SCALE 3/4"=1'

SCALE 1/2"=1'

SCALE 1/4"=1'

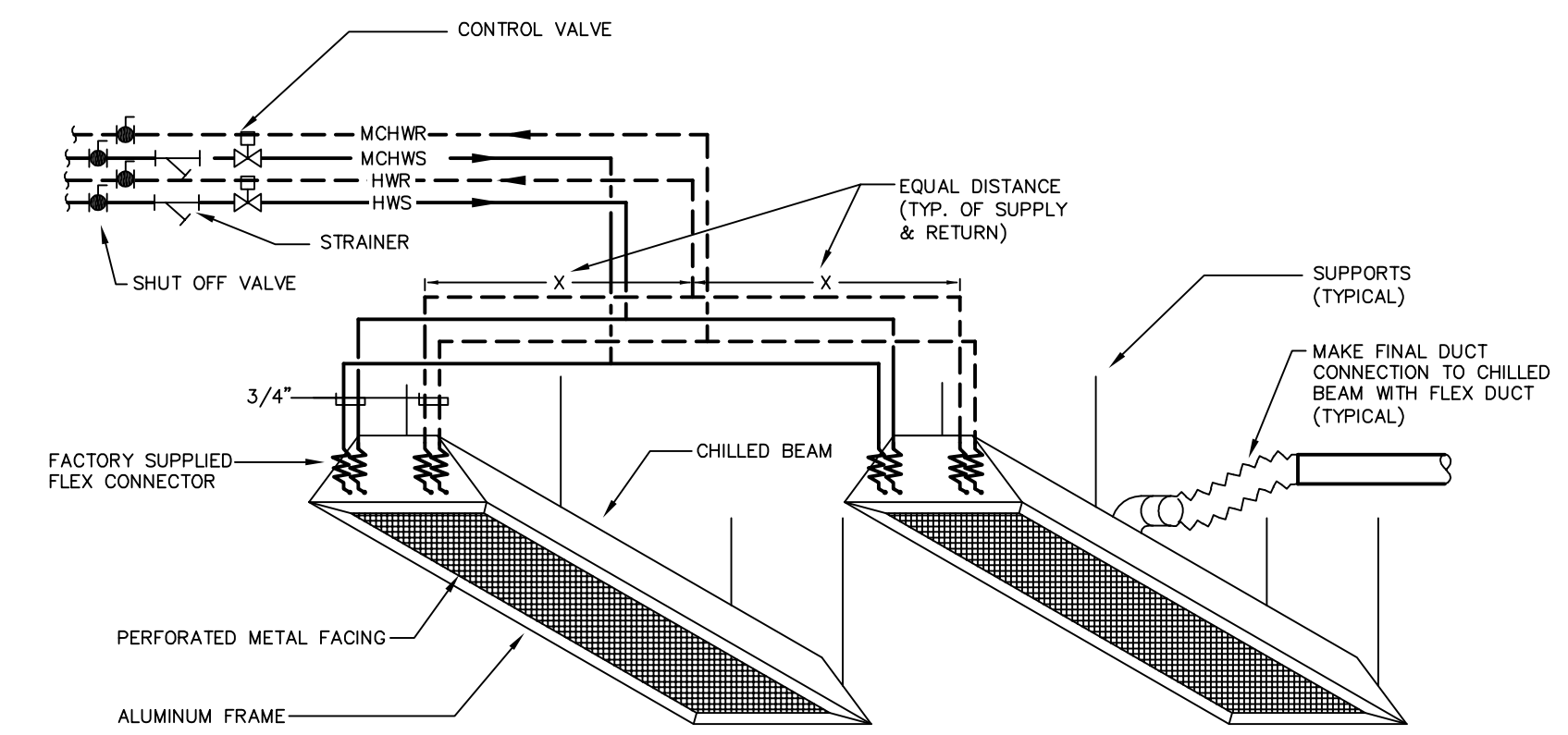
SCALE 1/8"=1'

SCALE 1/16"=1'



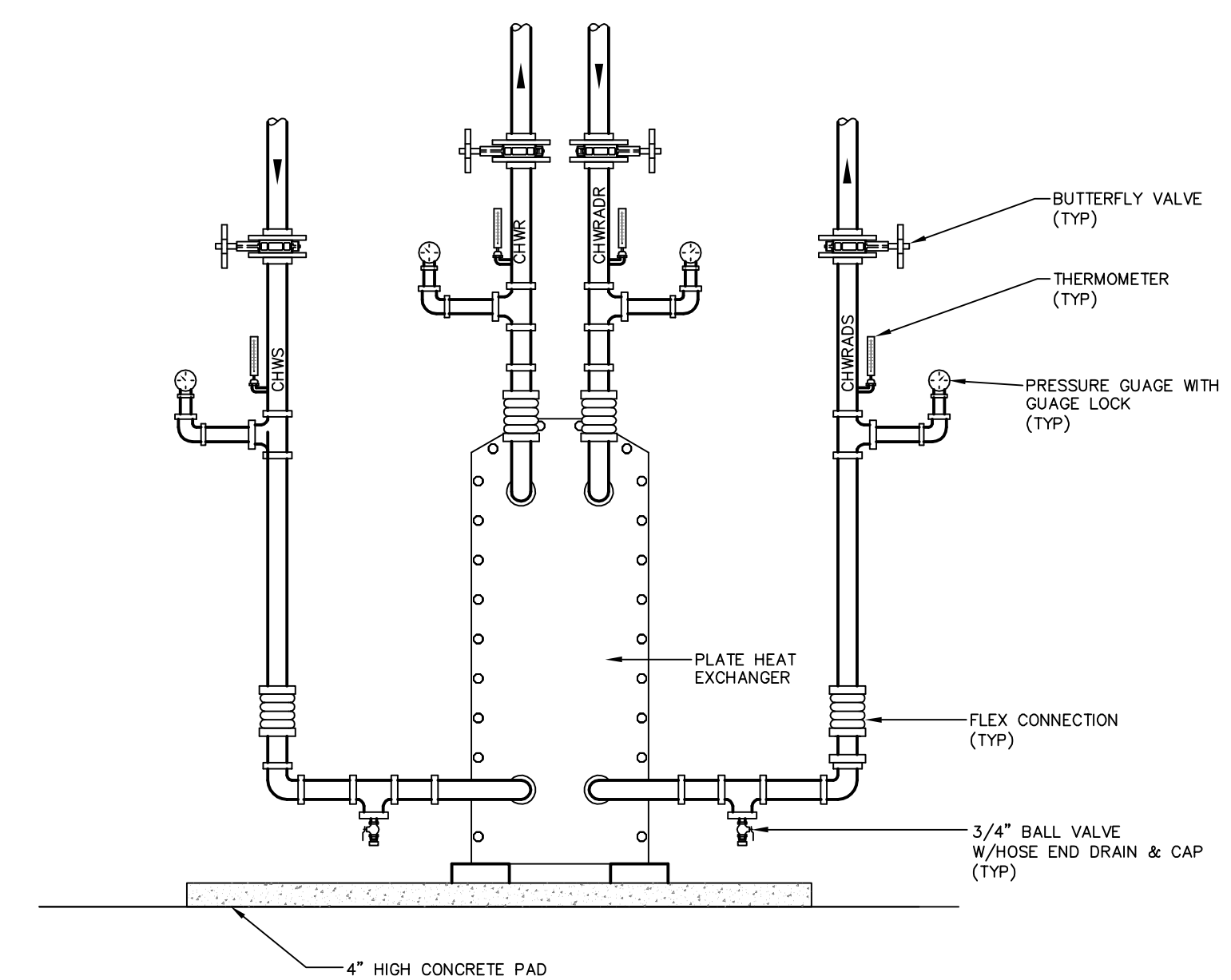
TYPICAL TWO CIRCUIT (4-PIPE) LABORATORY COOLING ONLY CHILLED BEAM DETAIL

NOT TO SCALE



TYPICAL TWO CIRCUIT (4-PIPE) PERIMETER HEATING AND COOLING CHILLED BEAM DETAIL

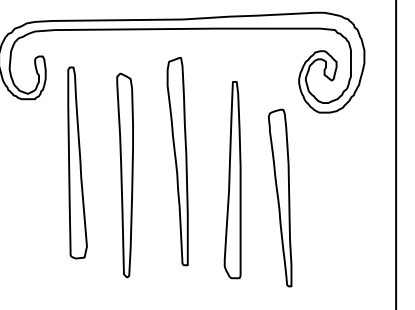
NOT TO SCALE



6 PLATE HEAT EXCHANGER DETAIL

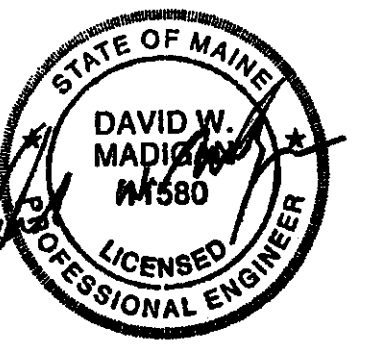
SCALE: NONE

PERMIT SET - NOT FOR CONSTRUCTION



PORT CITY ARCHITECTURE

65 NEWBURY STREET
 PORTLAND, ME 04101
 207.761.9000
 fax: 207.761.2010
 lita@portcityarch.com



VANZELM ENGINEERS

VANZELM HEYWOOD & SHADFORD, INC.
 16 TALCOTT NOTCH FARMINGTON, CT 06032
 TEL: (860) 298-3964 FAX: (860) 298-3968

PROJECT NO.: 2007120.00

BECKER structural engineers, inc.

SYTDesign CONSULTANTS
 CIVIL ENGINEERING & LANDSCAPE ARCHITECTURE



#	DATE	DESCRIPTION
		PERMIT SET
	01/24/08	Date issued
	06506	Project Number

SHEET NAME
MECHANICAL DETAILS

Drawn By
 AMM
 Checked By
 DWM/FBH

M4.4